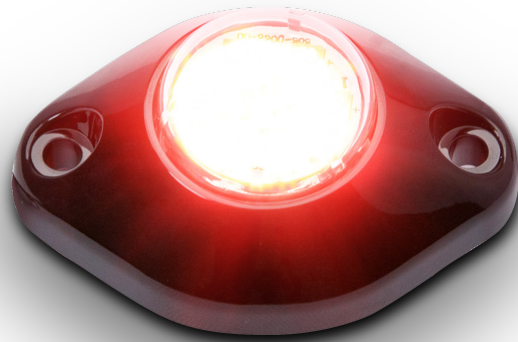
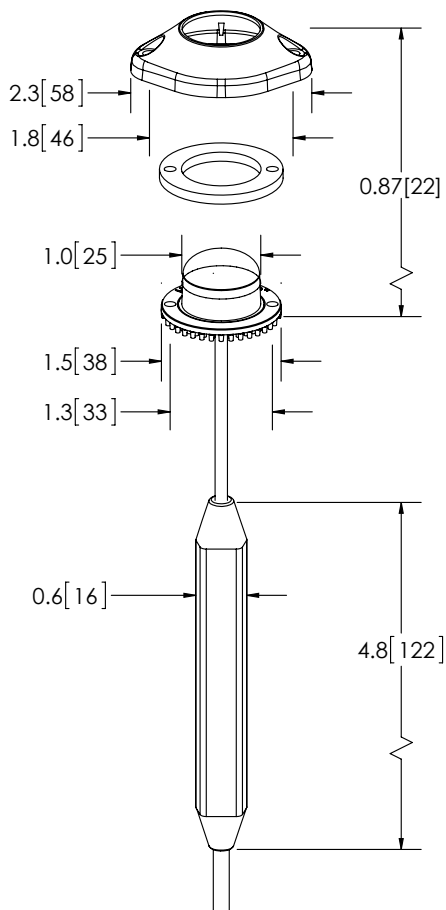


## VIBRANT™ HIDE-A-BLAST™ SERIES

SURFACE OR CONCEALED WARNING



The Vibrant™ Hide-A-Blast™ is designed to easily install in head and taillights as well as on virtually any vehicle surface with a just a one-in. hole. Features include six intense LEDs, 16 flash patterns, low-profile mounting flange with black bezel, nickel-plated housing, a self-contained power module and a nine-ft., pre-wired cable is included.



VOLTS   AMPS	12-24V   0.9A
DIMS	0.87" H x 1.51" Diameter   22mm H x 38mm Diameter (lighthouse)
MOUNTING HOLE SPACING	1.3"   33mm (Base), 1.8"   46mm (Bezel)
FLASH PATTERNS	16
CERTS	CE, R10, IP67
DETAILS	<ul style="list-style-type: none"> <li>• Sync-capable to additional heads</li> <li>• Low profile mounting flange and black bezel</li> <li>• Self-contained and in-line power module</li> <li>• 9' (2.7m) pre-wired cable</li> <li>• Nickel plated housing</li> </ul>
REPLACE	"_" with A = Amber, B = Blue, R = Red, W = White

MODEL	TYPE	ILLUMINATION COLORS
V_	Single, 6 LED, 1" hole or surface/2 bolt	A, B, R, W