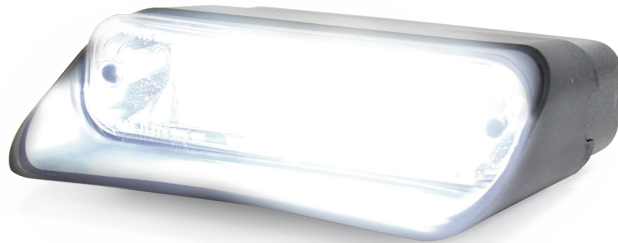
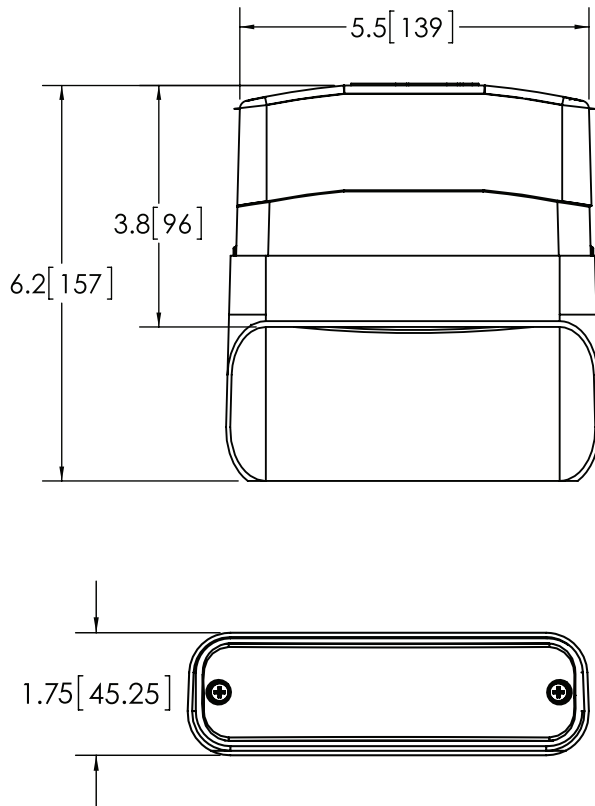


DASH EMITTER

EMITTER WITH BOTH HIGH AND LOW PRIORITY



The Dash Emitter is a versatile traffic signaling device that can be mounted in a variety of places. The high and low priority preemption system provides safe traffic management for emergency vehicles travelling through an intersection. It is fully compatible with all non-coded traffic preemption systems. Features include active high/low, enable/disable, single wire high/low priority selection, flash back shield, windshield bracket and a compact size that will fit above or behind rearview mirror.



VOLTS AMPS	12V 1.35A
DIMS	1.8" H x 6.2" D 45mm H x 157mm D
WATTS	15
DETAILS	<ul style="list-style-type: none"> • Flashback shield and windshield bracket included • Compatible with all non-coded emitters • Compact size will fit above or behind rearview mirror • Temperature Range: -22°F to +122°F (-30°C to +50°C)

MODEL	LENGTH	TYPE	ILLUMINATION COLOR
MDASHCPE	6.2" 157mm	Dash Mount	W