



MINIBARS

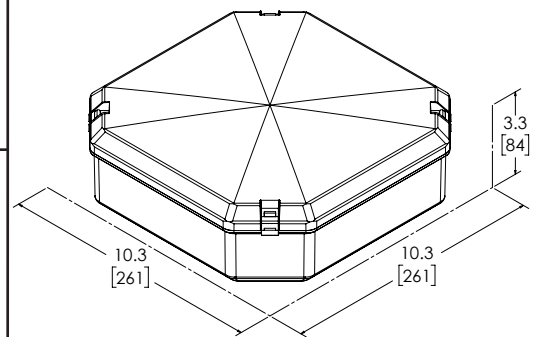


DUOBEAM™ II SERIES 10" LED Microbar

The DuoBeam™ II Series new streamlined square shape is designed to output a large amount of light and is great in pairs for each side of the apparatus. Choose from one of three different LED technologies and a variety of options designed to meet your needs and budget. Available in a single stack PriZm™ II and Torus™ LED lightheads, and available in Torus™ lightheads in double stack. Features include multiple flash patterns, standard lightbar mounting (carriage bold track), moisture resistant, and independent flashing or central control heads available.

Models

PART NO.	LENS COLOR	TYPE	LED COLOR	AMPS
DB2-2PZNFPA1	■	Single, 12 LED	■	2.0
DB2-2PZNFPA2	□	Single, 12 LED	■	2.0
DB2-2LMCNFPA1	□	Split, 22 LED	■ ■	6.4
DB2-2LMCNFPA2	□	Split, 22 LED	■ ■	6.4



Features and Benefits

- 12VDC
- Streamlined square shape is designed to output a large amount of light and is great in pairs for each side of the apparatus
- Available in a single stack PriZm™ LED lightheads, and available in Torus™ lightheads in double stack
- Standard lightbar mounting (carriage bold track)
- Moisture resistant
- Independent flashing or central control heads available
- Temperature Range: -22°F to +122°F (-30°C to +50°C)