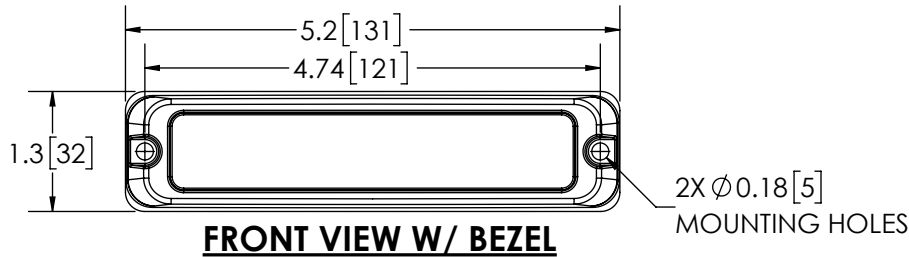
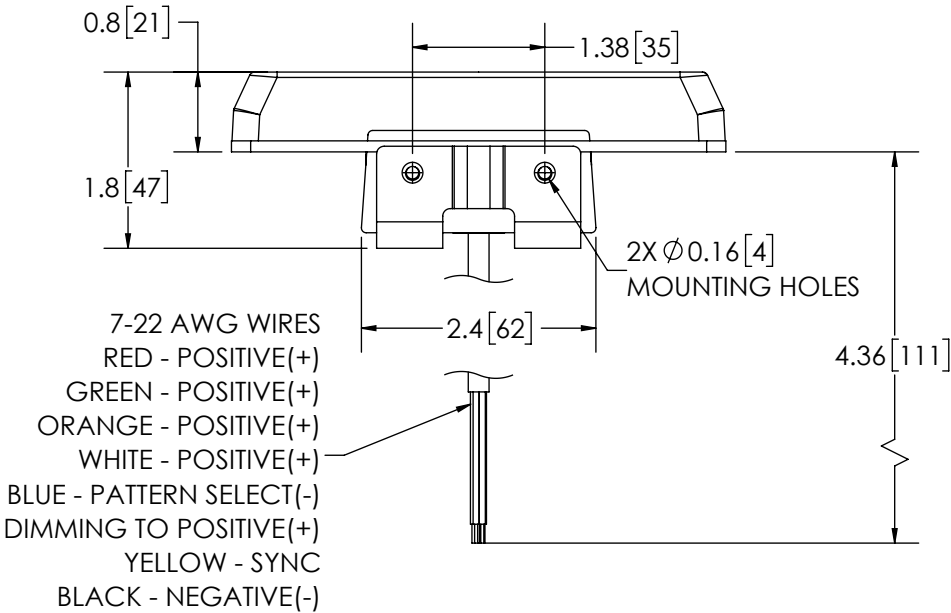


FRONT VIEW



FRONT VIEW W/ BEZEL



BOTTOM VIEW W/ BRACKET

- NOTES:**
1. ROHS COMPLIANT
 2. DIMENSIONS IN INCHES[MILLIMETERS (FOR REFERENCE)]

PROPRIETARY AND CONFIDENTIAL INFORMATION
 THIS DRAWING AND THE DESIGN AND OTHER INFORMATION DISCLOSED HEREIN ARE THE PROPERTY OF ELECTRONIC CONTROLS COMPANY AND/OR ITS ECCO SAFETY GROUP AFFILIATES ("CODE3") AND IS ISSUED IN CONFIDENCE TO RECIPIENT FOR ENGINEERING INFORMATION PURPOSES ONLY. THIS DRAWING AND THE DESIGN AND OTHER INFORMATION DISCLOSED HEREIN MAY NOT BE USED, COPIED, REPRODUCED OR OTHERWISE DISCLOSED IN PART OR IN WHOLE TO THIRD PARTIES OR USED FOR ANY OTHER PURPOSE WITHOUT PRIOR CODE3 WRITTEN CONSENT. CODE3 RESERVES ALL PATENT, COPYRIGHT, TRADEMARK AND OTHER PROPRIETARY RIGHTS TO THIS DOCUMENT, INCLUDING ALL DESIGN, MANUFACTURING, REPRODUCTION, USE AND SALES RIGHTS THERETO. THIS DRAWING IS SUBJECT TO RECALL BY CODE3 AT ANY TIME, AND YOUR POSSESSION AND/OR USE CONSTITUTES ACCEPTANCE OF THESE TERMS. ©2022 ELECTRONIC CONTROLS COMPANY

REVISION HISTORY		
REV.	DESCRIPTION	DATE
02	REVISED PER EP0152	2022-10-07
03	REVISED PER EP0152	2022-10-13
A	INITIAL RELEASE PER EP0152	2022-10-18

SPECIFICATIONS

1. CERTIFICATIONS: ECE R10; SAE J595 (AUG 2021) CLASS 1; RED, BLUE, YELLOW, WHITE; CA Title 13 CLASS B; RED, BLUE, YELLOW; Reg 65 CertE6 XA1 000461, E6 XB1 000462,
2. E6 XR1 000437; IP67/IP69K
 Note: Unique components, accessories, and hardware kits are not typically included in the Product Certification Test Protocols. Unless otherwise Specified, the Product Certifications referred to herein are predicated upon the base product model configuration.
3. FLASH MODE: SINGLE : 75 ± 5 FLASHES PER MINUTE
 SINGLE : 120 ± 5 FLASHES PER MINUTE
 SINGLE : 75 ± 5 FLASHES PER MINUTE
4. VOLTAGE (NOMINAL): 12-24 VDC
5. VOLTAGE (EXTREME): 9-32 VDC
6. CURRENT (PEAK): 0.9A (@ 12 VDC NOMINAL)
7. POWER (MAXIMUM): 11.0W (@ 12 VDC NOMINAL)
8. TEMPERATURE RANGE: -40°F (-40°C) TO 149°F (65°C)
9. CONNECTION: 7 - 22 AWG WIRES
10. MOUNTING: 2-BOLT
11. BASE MATERIAL: ALUMINUM
12. LENS MATERIAL: POLYCARBONATE
13. PRODUCT WEIGHT: 0.2 LBS (0.09 Kg)

SCALE 1:2		APPROVALS	DATE	 www.code3esg.com Americas (314) 426-2700 Europe +44 (0)113 239 1111 Asia Pacific +61 (0)7 32937900
CAD GENERATED DRAWING DO NOT MANUALLY UPDATE.		DRAWN BY ABD	2022-10-14	
TOLERANCES ARE IN INCHES, AND MILLIMETERS TOLERANCES UNLESS OTHERWISE STATED ARE:		CHECKED BTK	2022-10-14	
MILLIMETERS DECIMALS XX. ± 1.0mm XX.X ± 0.5mm		MECH. ENG.		
INCHES DECIMALS X.X ± 0.1 X.XX ± 0.04 X.XXX ± 0.02		ELEC. ENG. SPO	2022-10-14	24 LED HEAD, MULTIMOUNT, 12-24V, RBAW CUSTOMER PART NO. MR24Q-RBAW
ANGLES ± 0.5°		TEST ENG. JRT	2022-10-17	
FRACTIONS ± 1/64		SALES.		
THIRD ANGLE PROJECTION		SIZE: A	DWG. NO. MR24Q-RBAW	REV. A
		Electronically Controlled Use Latest Copy		SHEET 1 OF 1 Project: EP0152 Date Created: 2022-10-05