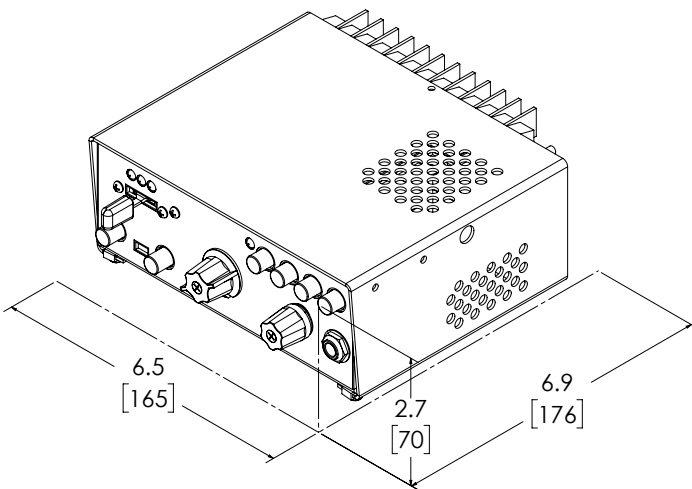


## V-CON® SIREN

COMPACT, EASY TO USE SIREN



The V-CON® has a siren tone selection at the touch of a button in undercover or nontraditional emergency vehicles or when space is limited, and provides users with full control of siren, lights, and a public address mic all in a handheld, backlit controller. Features include radio rebroadcast, instant on, stand-by, siren scroll, push button programmable siren tones, and Banshee® siren amp compatible for additional features.



VOLTS	12V
WATTS	100W / 200W
DIMS	6.5" H x 2.7" L x 6.9" D   165mm H x 70mm L x 176mm D
CERTS	J1849, CA T13
DETAILS	<ul style="list-style-type: none"> <li>▪ Public address</li> <li>▪ Radio rebroadcast</li> <li>▪ Hit-N-Go</li> <li>▪ Air horn</li> <li>▪ Back lighting</li> <li>▪ Wail, yelp, HiLo, HyperYelp</li> <li>▪ Banshee® siren amp compatible for additional features</li> </ul>

MODEL	TYPE
3692S	Primary Tones: Wail, Yelp, Hi-Lo, Air Horn; Secondary Tone: Yelp
3692L4S	Lighting control, Primary Tones: Wail, Yelp, Hi-Lo, Air Horn; Secondary Tone: Yelp
3672S	Primary Tones: Wail, Yelp, HyperYelp, Air Horn; Secondary Tone: HyperYelp, Yelp
3672L4S	Lighting control, Primary Tones: Wail, Yelp, HyperYelp, Air Horn; Secondary Tone: HyperYelp, Yelp