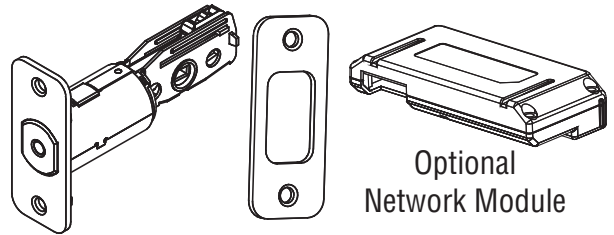
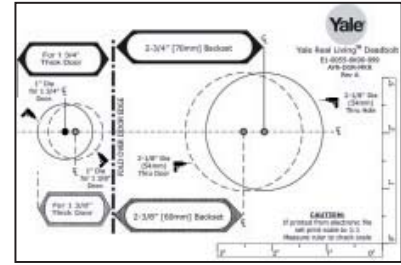
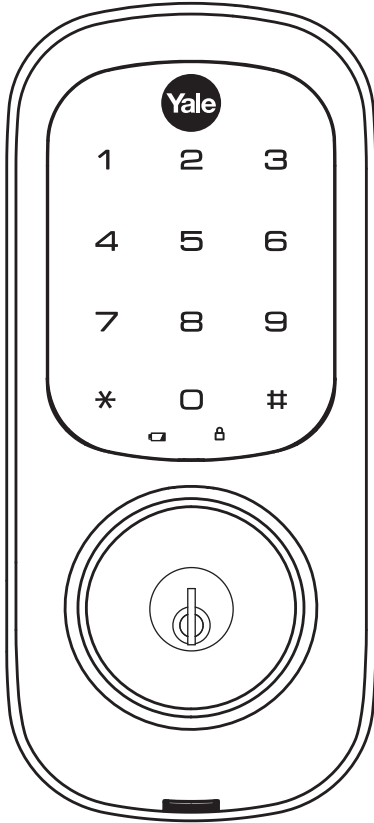


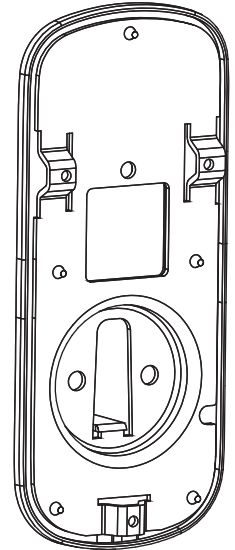
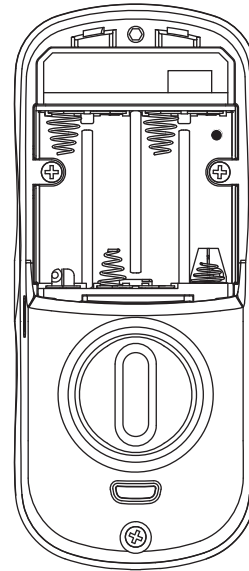


Yale *real* Living

# Yale Real Living® Touchscreen Deadbolt Installation and Programming Instructions (YRD220)



Optional Network Module



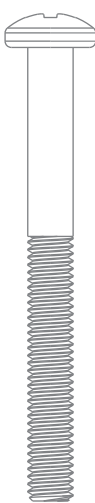
**x3**

#8-32 x 5/16"  
Machine screws



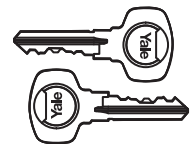
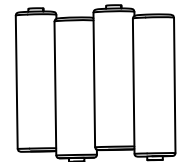
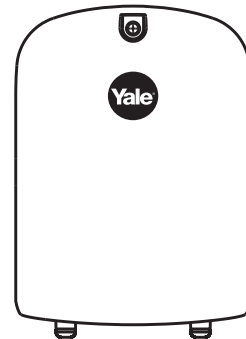
**x4**

#7 wood & #8-32  
machine x 20mm  
Combination screws

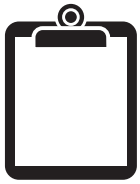


**x2**

M6x47mm  
Long through bolt



FAILURE TO FOLLOW THESE INSTRUCTIONS  
COULD RESULT IN DAMAGE TO THE PRODUCT  
AND VOID THE FACTORY WARRANTY



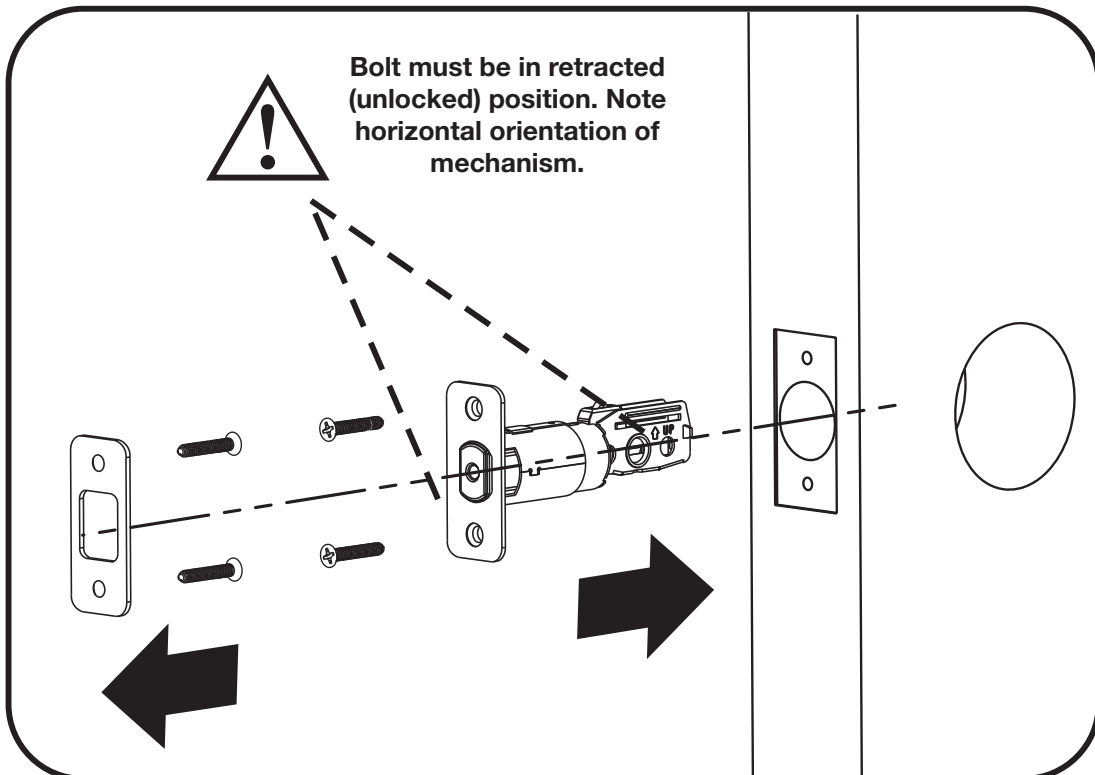
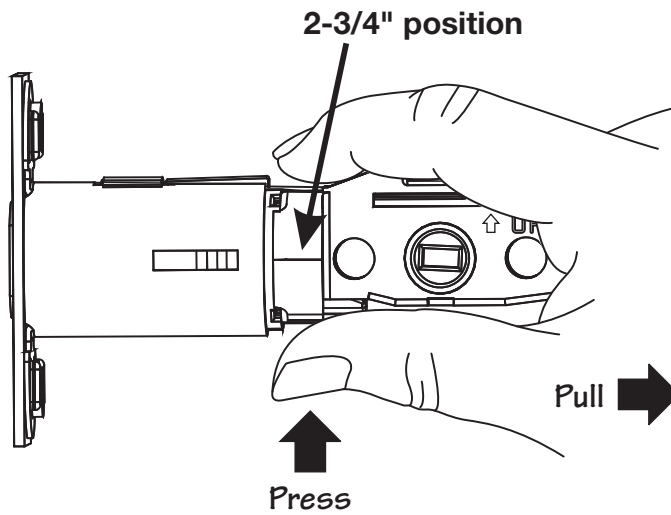
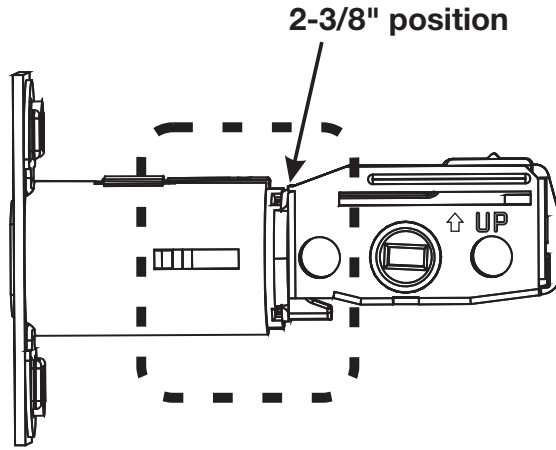
# Preparing Door

# 1

## Installing Latch & Strike Plate

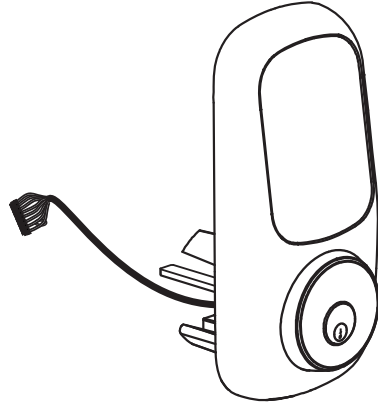


x4

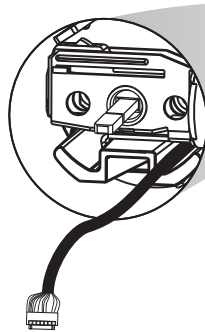


# 2

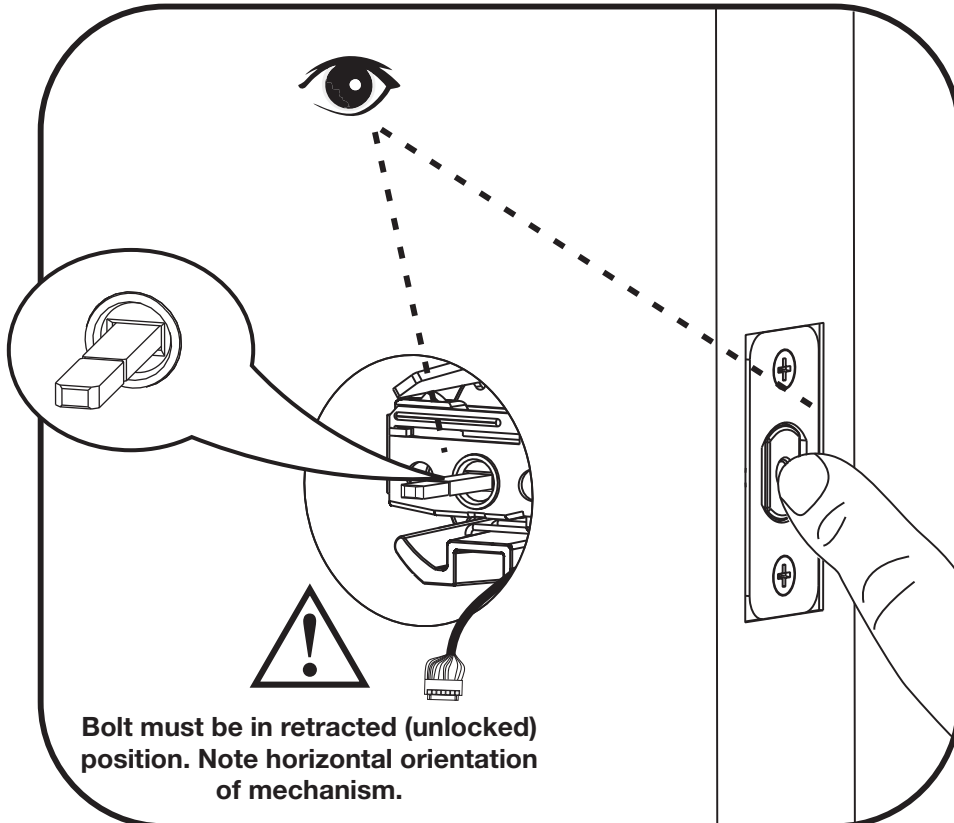
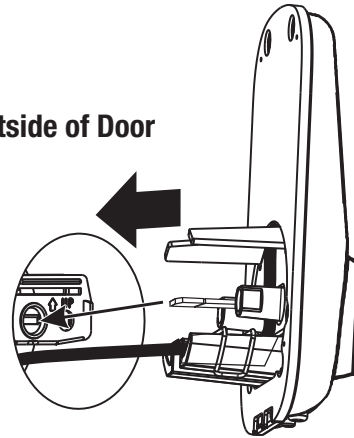
## Installing Touchscreen Escutcheon



Inside of Door

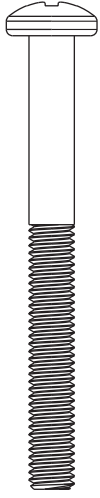


Outside of Door



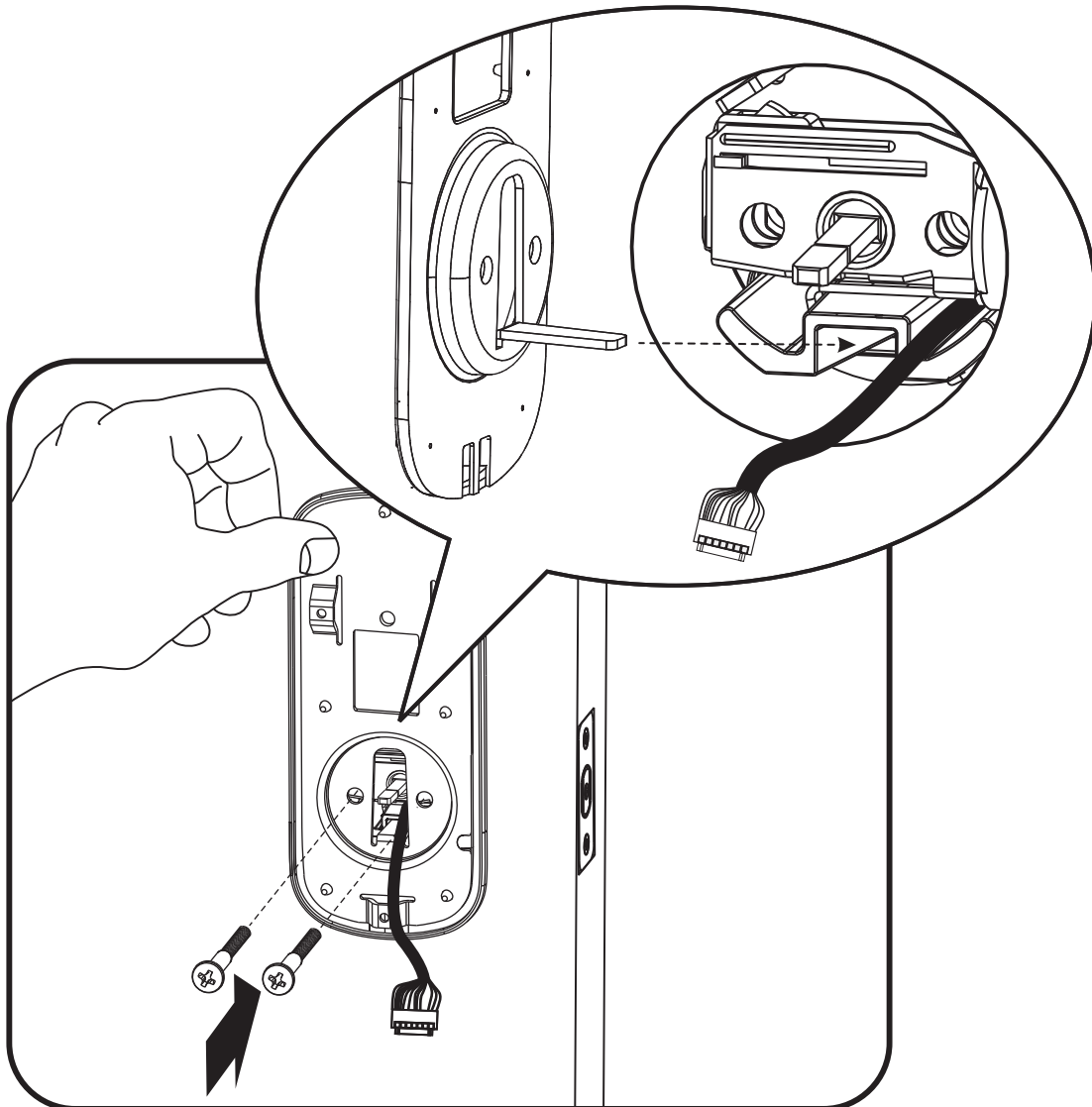
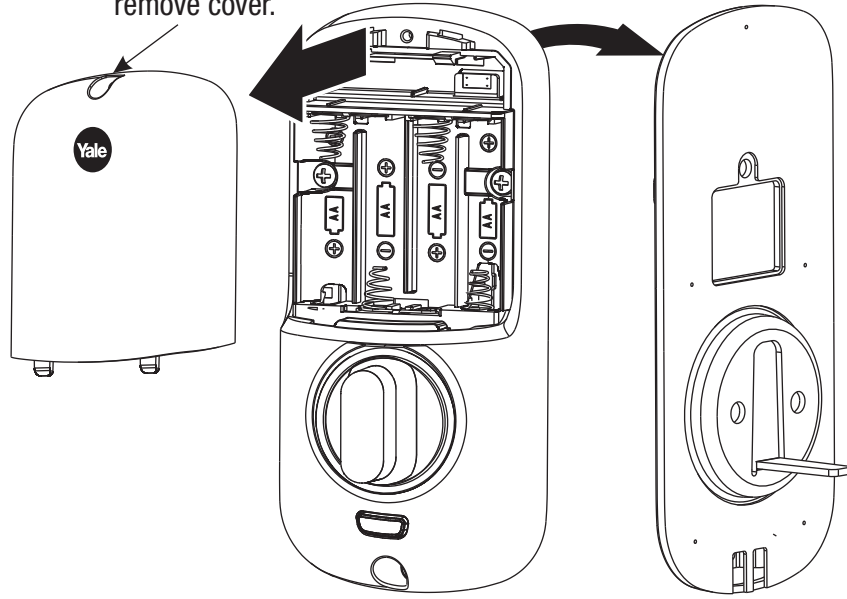
# 3

## Installing Interior Mounting Plate



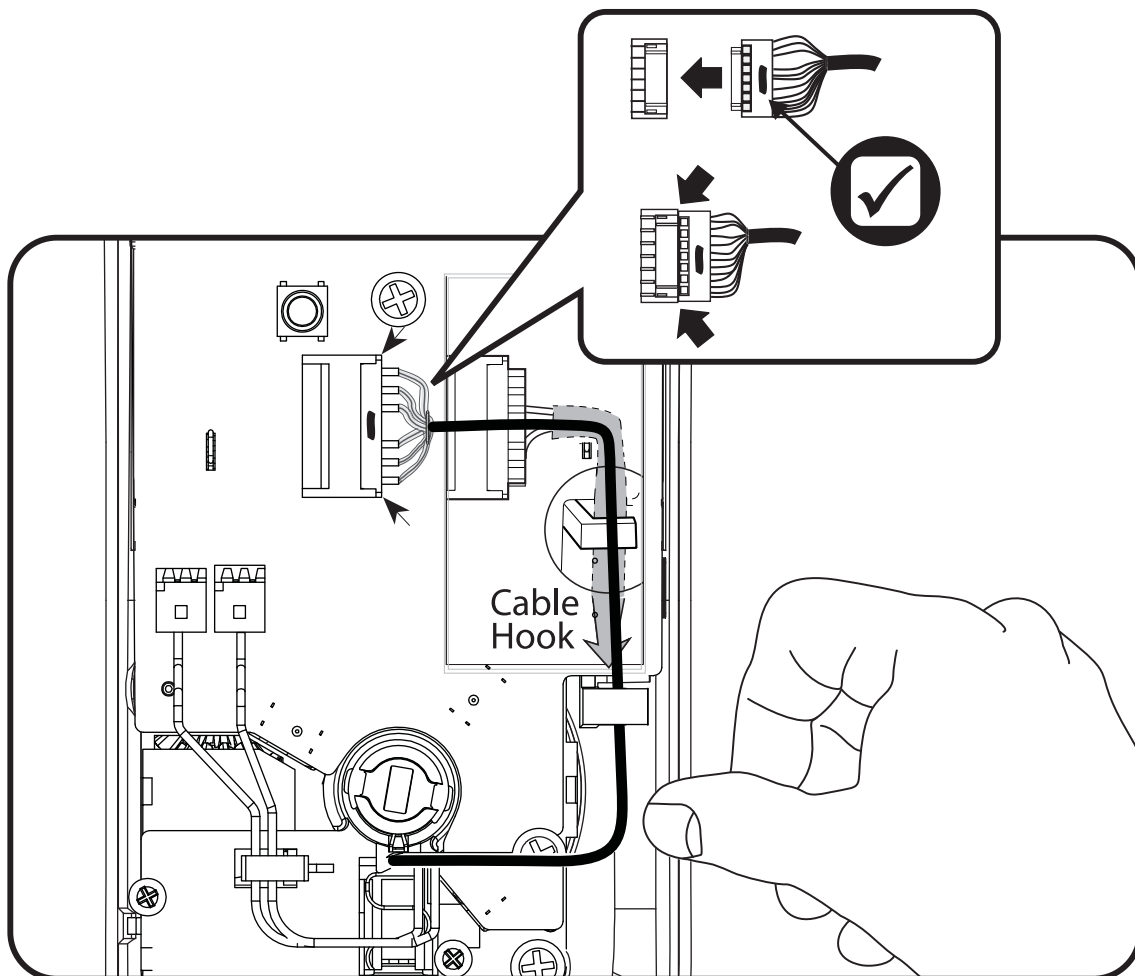
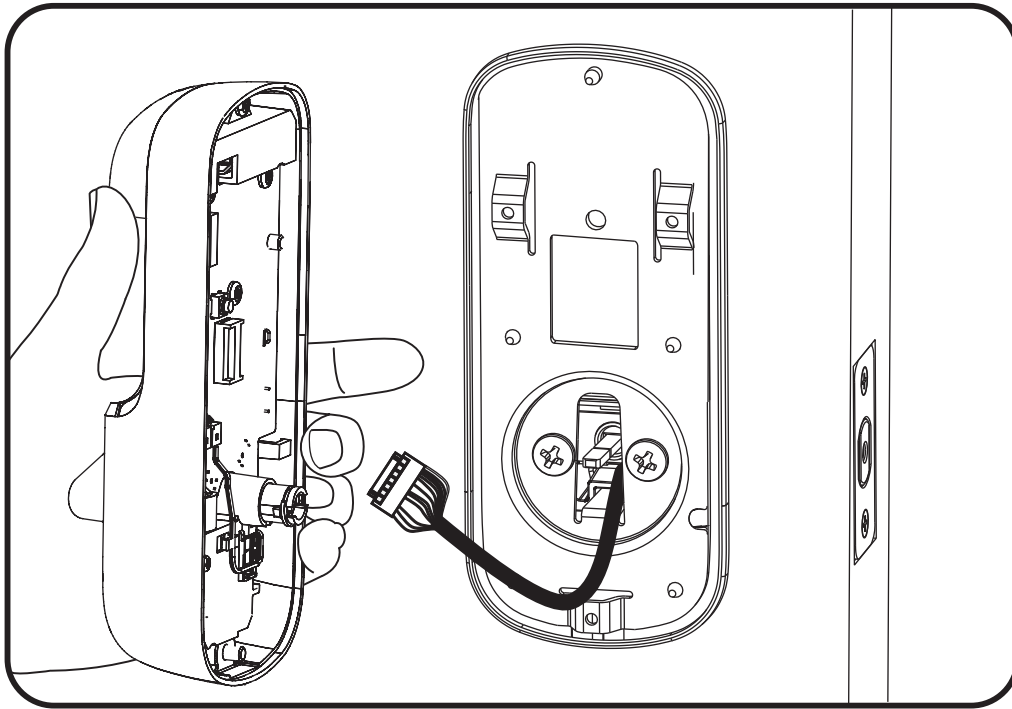
x2

Loosen screw to  
remove cover.



# 4

## Attaching the Cable Assembly

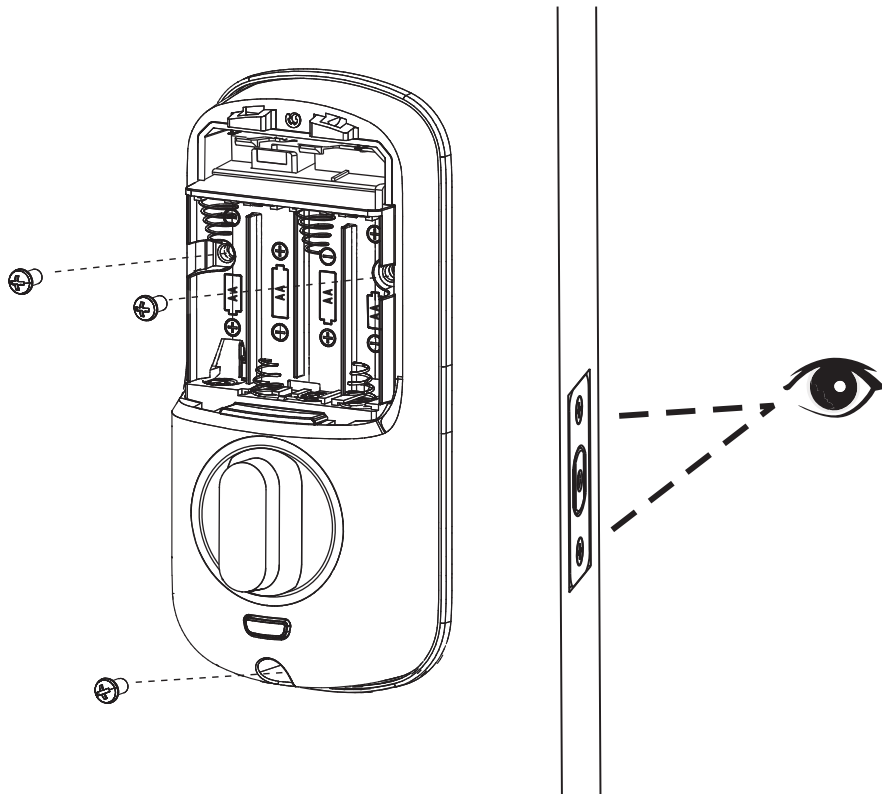
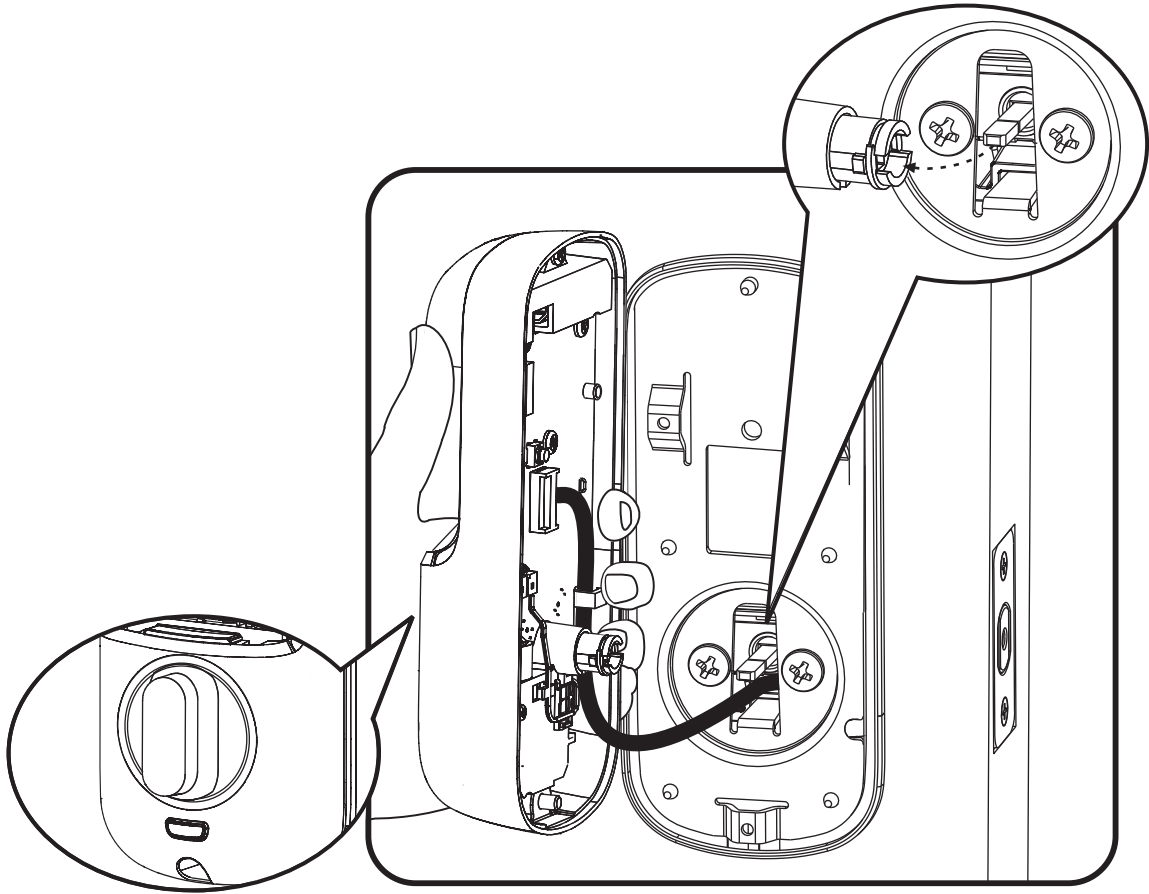


# 5

## Installing Interior Escutcheon

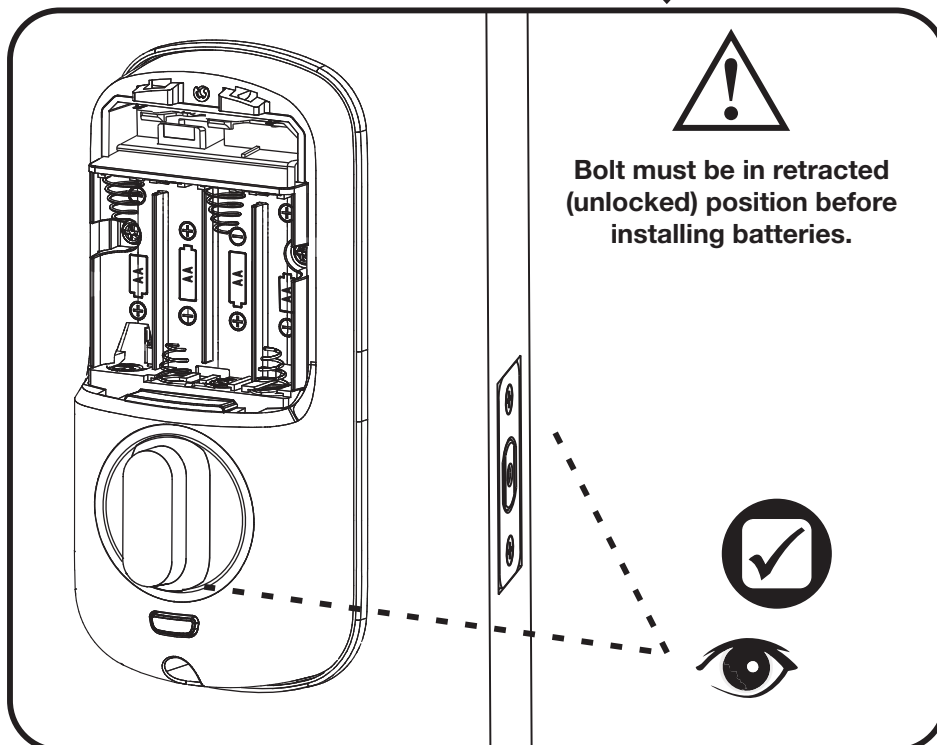
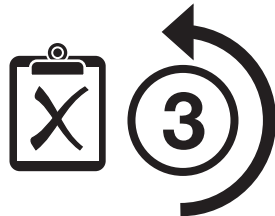
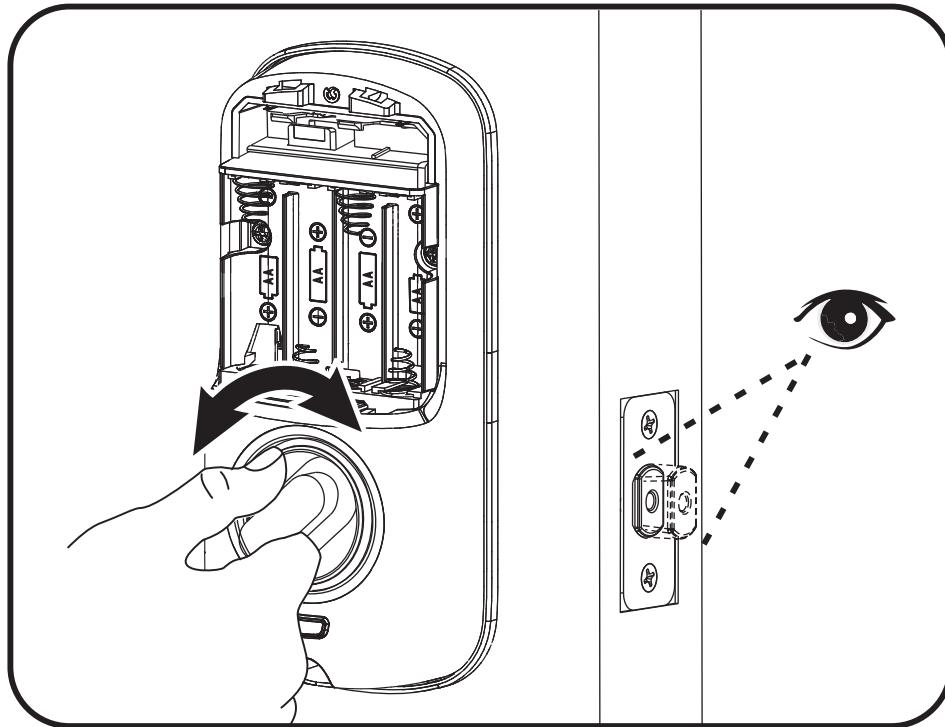


x3





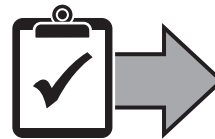
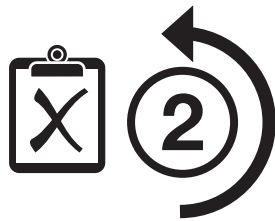
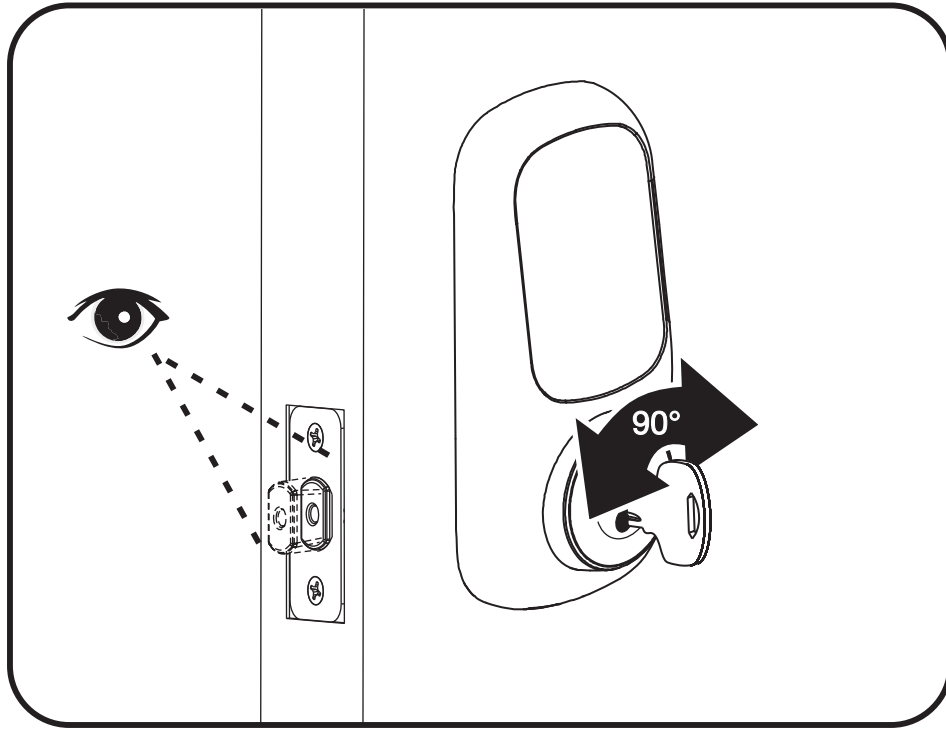
# Testing Operation





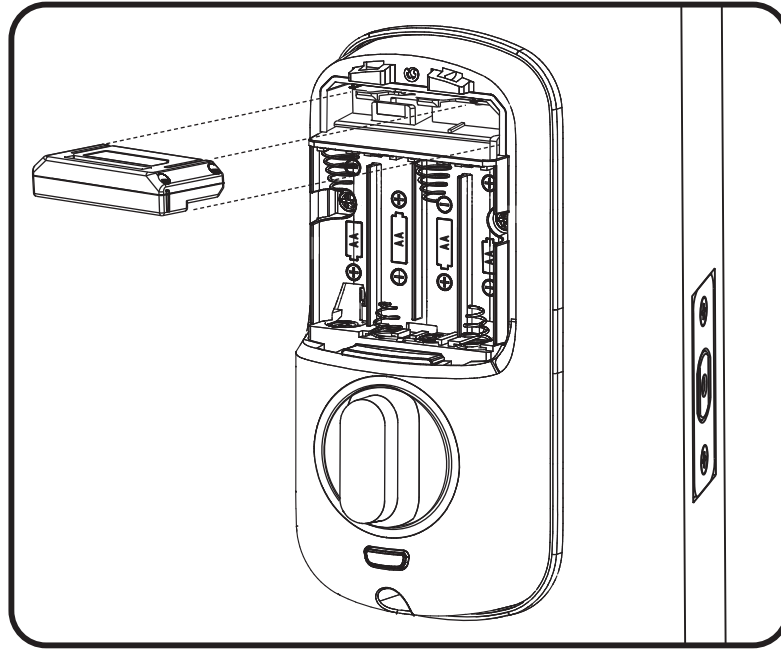


# Testing Operation



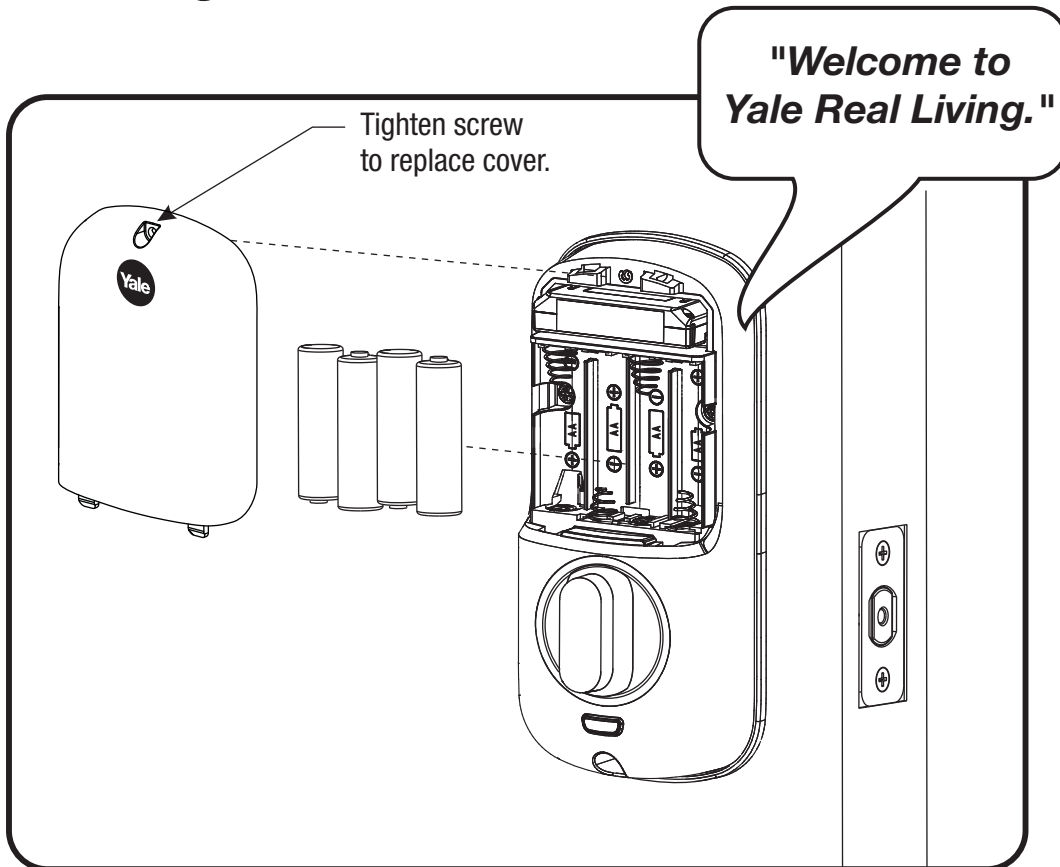
# 6

## Installing Optional Network Module



# 7

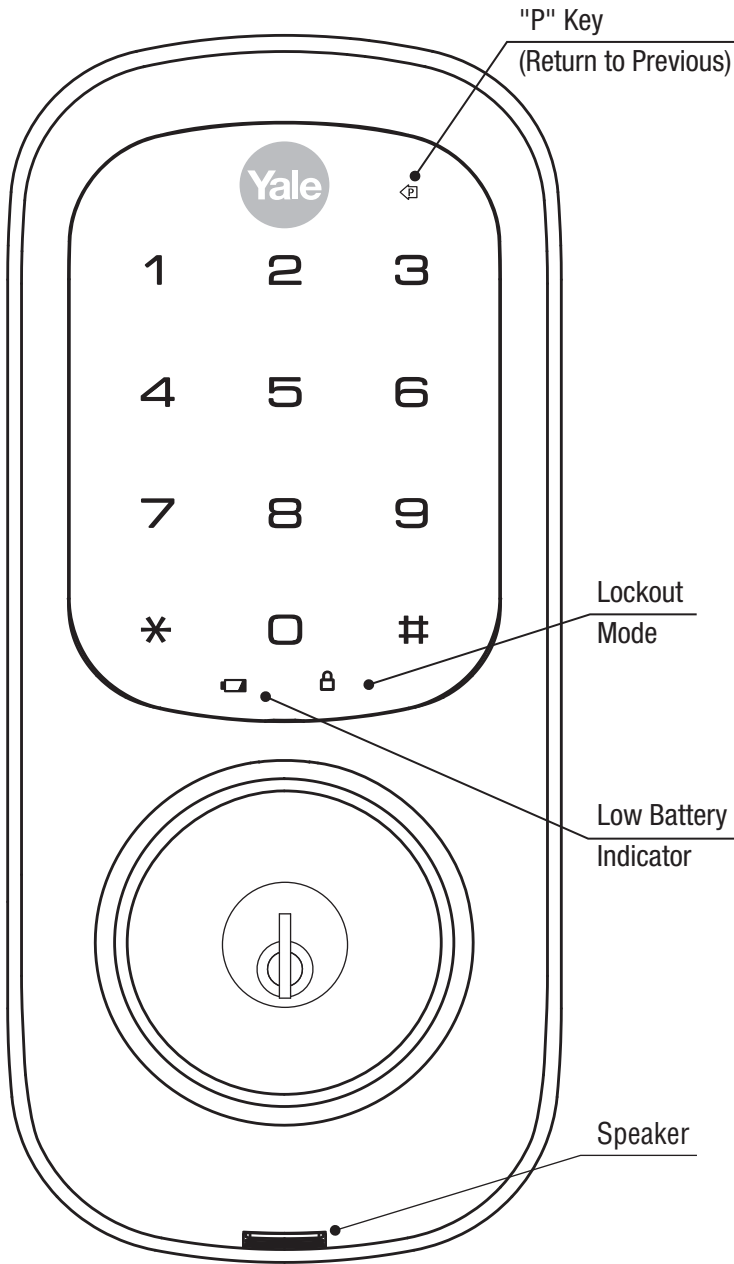
## Installing Batteries & Cover



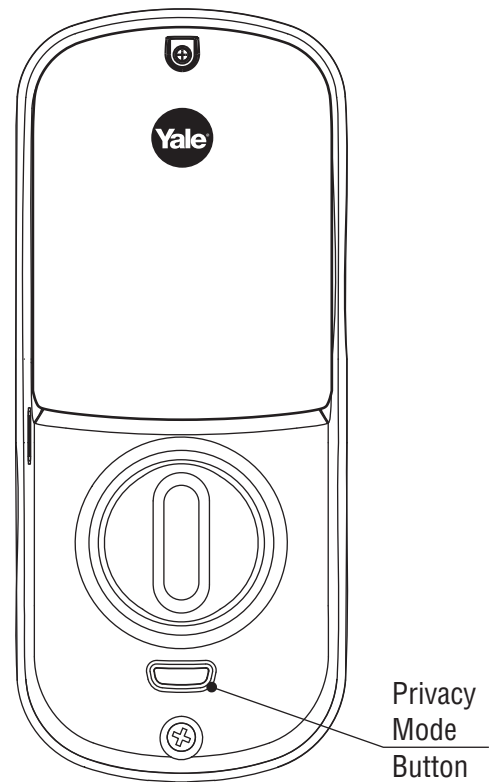
Congratulations, you've installed the Yale Real Living® Touchscreen Deadbolt (YRD220)!  
Continue with Programming Instructions to customize your product.

# Programming Instructions

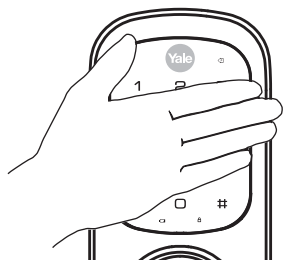
## Exterior Escutcheon



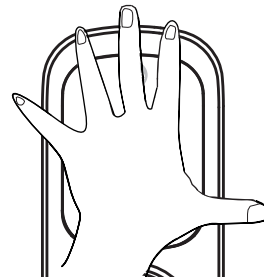
## Interior Escutcheon



## Lock Activation



**OR**

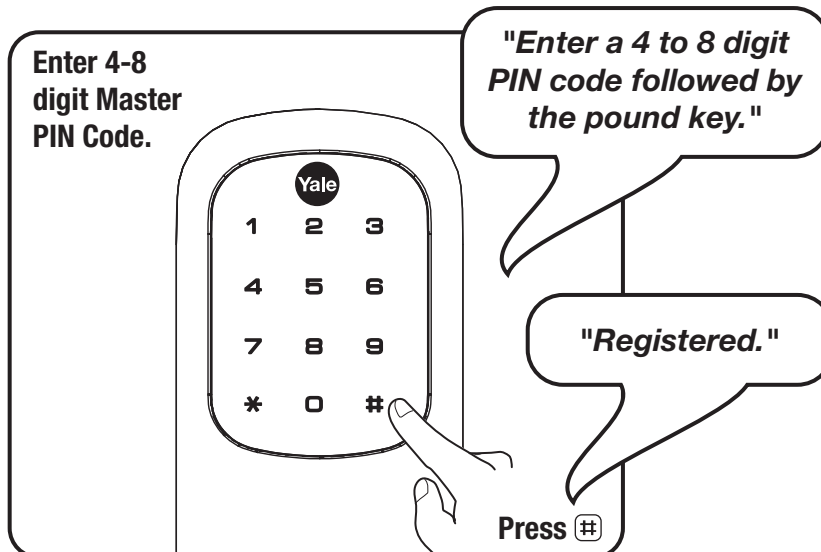
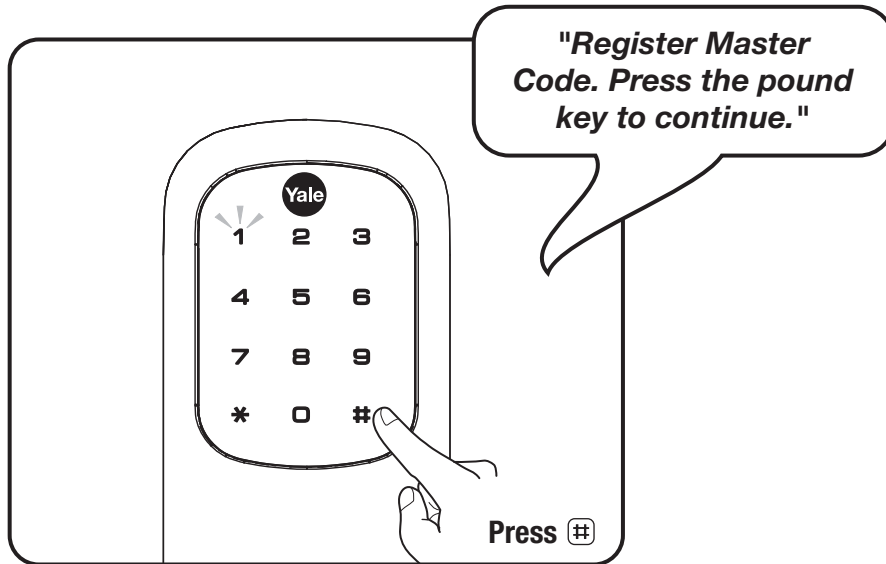
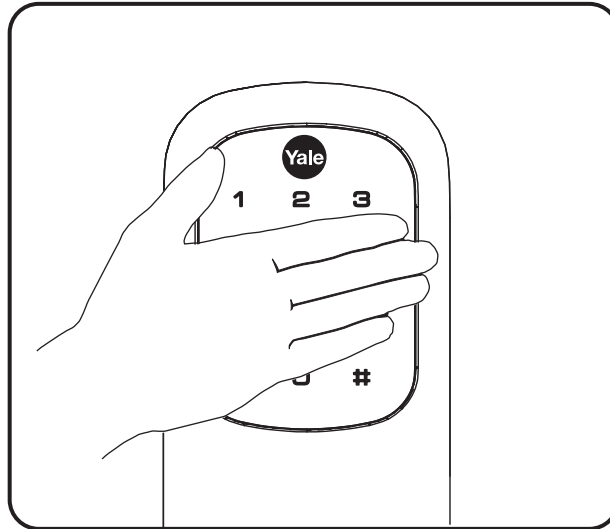


Master PIN Code must be created before any further programming.  
Max User Codes = 250 with Network Module. Max User Codes = 25 without.

# 1

## Creating Master PIN Code

Creating a Master PIN Code must be performed upon installation or after resetting the lock to factory default. Programming and use of lock is not possible until this step has been successfully completed.

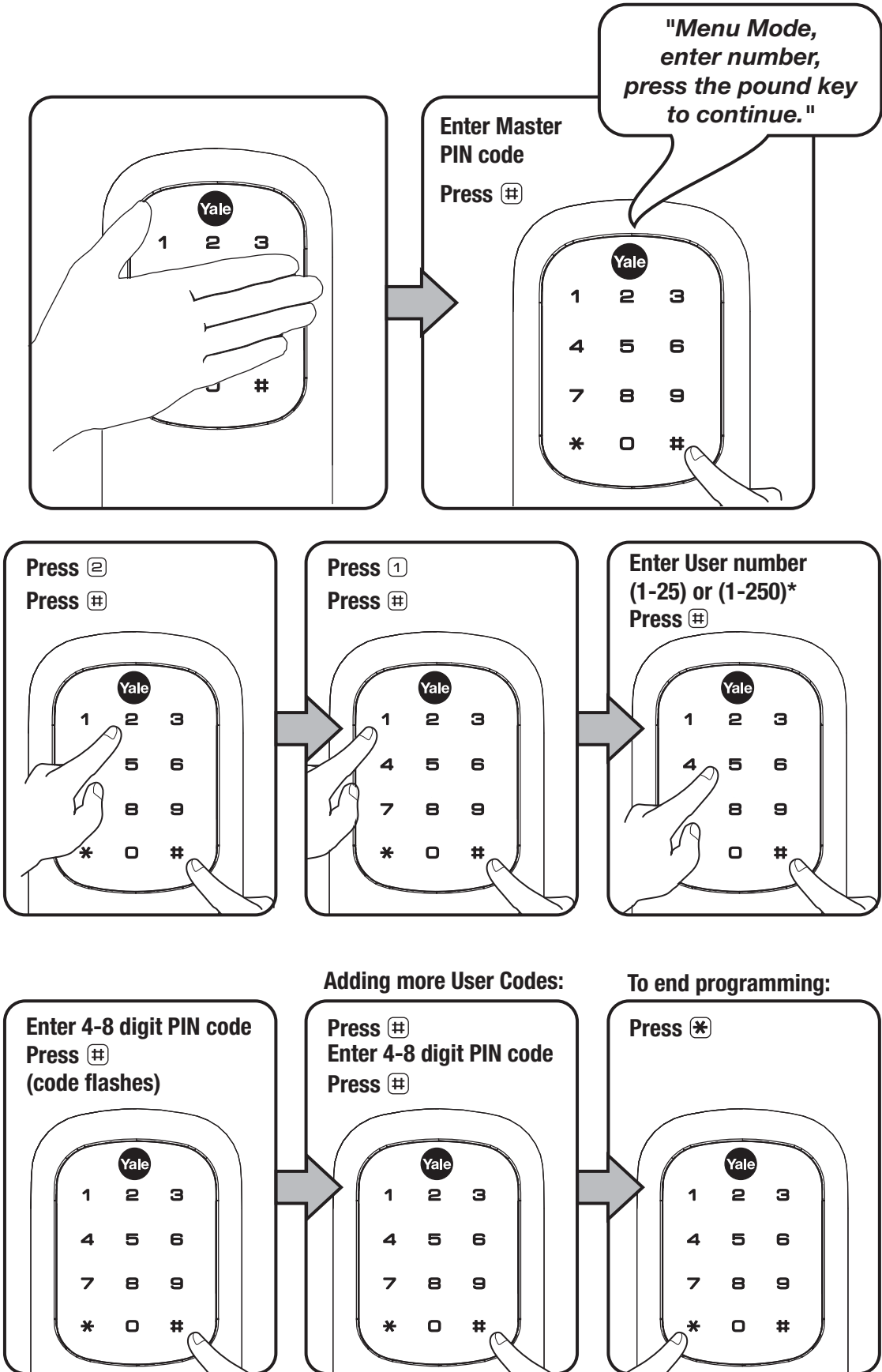


# 2

## Creating User PIN Codes

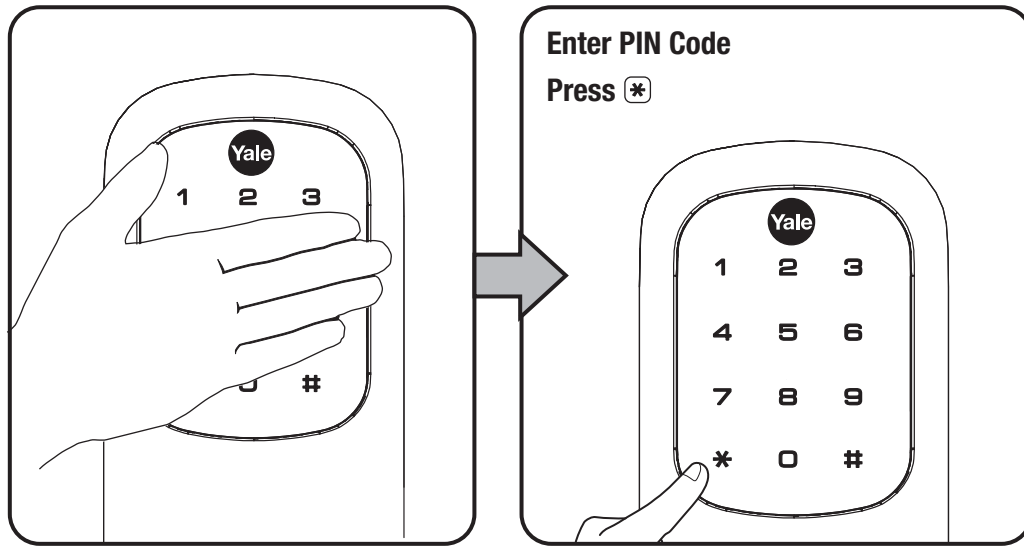
Master PIN code must be created first.

\*Max user codes = 250 with Network Module. Max user codes = 25 without.



# 3

## Unlocking Door with PIN Code



### Code Chart Duplicate if necessary

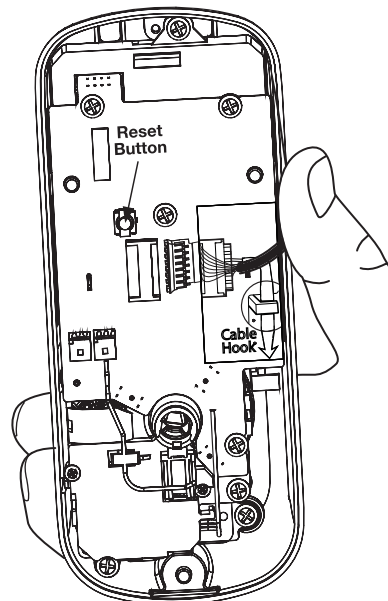
PIN Code Management (With Network Module - Up to 250 Users)			
User Type	User Name	User #	PIN Code
Master			
User ___			
User ___			
User ___			
User ___			
User ___			
User ___			
User ___			
User ___			
User ___			
User ___			
User ___			
User ___			
User ___			
User ___			
User ___			
User ___			
User ___			
User ___			
User ___			
User ___			
User ___			
User ___			

# Resetting Lock to Factory Default

When lock is reset to factory defaults all user codes (including the Master PIN code\*) are deleted and all programming features are reset to original default settings (see below).

1. Remove the battery cover and batteries.
2. Remove the interior escutcheon to access the reset button.
3. The reset button (see image at right) is located above the PCB cable connector.
4. While pressing the reset button (minimum of 3 seconds) reinstall batteries. Release reset button.
5. Replace battery cover.

Upon reset, Master PIN Code creation is the only option available and must be performed prior to any other programming of the lock.



**Interior Escutcheon**

## Factory Settings

Settings	Factory Setting
Master PIN Code	Registration <b>required*</b>
Automatic Re-lock	Disabled
Inside Indicator Light	Disabled (Off)
One Touch Locking	Enabled
Volume Setting	Enabled (Low)
Automatic Re-lock Time	30 Seconds
Wrong Code Entry Limit	5 Times
Shutdown Time	60 Seconds

\*The Master PIN code must be registered prior to any other programming of the lock.

# Definitions

**All Code Lockout Mode:** This feature is enabled by the Master code. When enabled, it restricts all user (except Master) PIN code access. When attempting to enter a code while the unit is in Lockout, the RED locked padlock will appear on the screen.

**Automatic Re-lock Time:** After a successful code entry and the unit unlocks, it will automatically re-lock after thirty (30) seconds. This feature is only available when a Network Module is installed.

**Inside Indicator Light:** Located on the interior escutcheon. Shows active status (Locked) of lock and can be enabled or disabled in the **Advanced Lock Settings** (Main Menu selection #3).

**Language Setting Mode:** Choosing English (1), Spanish (2) or French (3) becomes the (default) setting for the lock's voice prompts.

**Low Battery:** When battery power is low, the Low Battery Warning indicator flashes RED. If battery power is completely lost, use the cylinder key override.

**Master PIN Code:** The Master PIN code is used for programming and for feature settings. **It must be created prior to programming the lock.** The Master code will also operate (unlock/lock) the lock.

**Network Module Setting:** With the optional Network Module installed, this setting becomes available thru the Main Menu (7) and allows the lock to connect with a network controller.

**One Touch Locking:** When the latch is retracted, activating the keypad will extend the latch (during Automatic Re-lock duration or when Automatic Re-lock is disabled). When One-Touch Re-lock is **not** in use (**disabled**), any valid PIN code will re-lock the lock.

**Previous:** While in Menu Mode, pressing this icon cancels the current operation and returns the user to the previous step.

**Privacy Mode:** Privacy mode is disabled by default. Enable Privacy mode by pressing the privacy button for 4 seconds to put the lock in do-not-disturb mode (all pin codes are disabled).

**Shutdown Time:** The unit will shutdown (flashing RED) for sixty (60) seconds and not allow operation after the wrong code entry limit (5 attempts) has been met.

**Tamper Alert:** Audible alarm sounds if attempting to forcibly remove outside lock from door.

**User PIN Code:** The User code operates the lock. Maximum number of user codes is 250 with Network Module; without Network Module, maximum is 25 user codes. Note: When deleting User PIN code(s), screen will display User Number (not PIN code) being deleted.


**Volume Setting Mode:** The volume setting for PIN code verification is set to **Low (2)** by default; otherwise it can be set to **High (1)** or **Silent (3)** for quiet areas.

**Wrong Code Entry Limit:** After five (5) unsuccessful attempts at entering a valid PIN code, the unit will shut down and not allow operation.

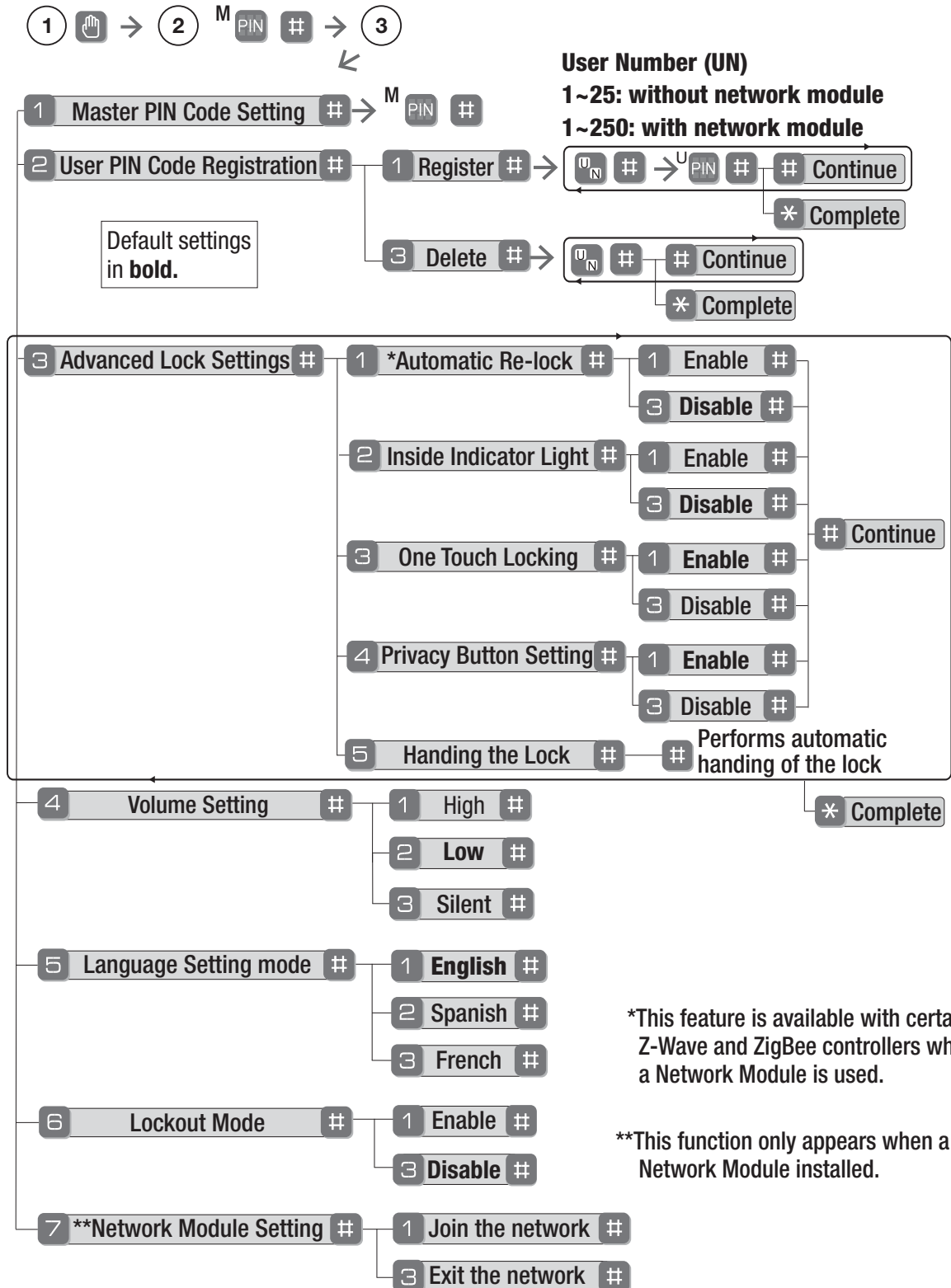


# Feature Programming Through Menu Mode

## Using Master PIN code\*

1. Touch screen with back of hand or palm to activate. 
2. Enter 4-8 digit master PIN code\* followed by **#** key.  
Lock Response: "Menu mode, enter number, press **#** key to continue."
3. Enter digit corresponding to the function to be performed followed by the **#** key.  
Follow the voice commands.

\*The Master PIN code must be registered prior to any other programming of the lock.



# Programming Troubleshooting

Symptom	Suggested Action
Lock does not respond – door is open and accessible.	<ul style="list-style-type: none"> <li>• Touchscreen becomes active when pressed w/whole hand. Use a larger area of the hand or fingers and verify contact with at least 3 areas.</li> <li>• If touchscreen numbers are visible, check to see if they respond when pressed.</li> <li>• Check batteries are installed and oriented correctly (polarity) in the battery case.</li> <li>• Check batteries are in good condition; replace batteries* if discharged.</li> <li>• Check to see if touchscreen harness is fully connected and not pinched.</li> </ul>
Lock does not respond – door is locked and inaccessible.	<ul style="list-style-type: none"> <li>• Batteries may be completely discharged.</li> <li>• Use mechanical key to gain entry and replace batteries*.</li> </ul>
Unit is on for a while then shows no reaction. Lights dim.	<ul style="list-style-type: none"> <li>• Batteries do not have enough power. Replace batteries*.</li> </ul>
Unit chimes to indicate code acceptance, but the door will not open.	<ul style="list-style-type: none"> <li>• Check the door gaps for any foreign objects between door and frame.</li> <li>• Check that the wire harness is firmly connected to the PCB.</li> </ul>
Unit operates to allow access, but will not automatically re-lock.	<ul style="list-style-type: none"> <li>• Check to see if Auto Re-lock Mode is enabled.</li> <li>• Disable Auto Re-lock Mode to lock the door (automatically).</li> <li>• If low battery indicator is lit (see below), change batteries*.</li> </ul>
PIN codes will not register.	<ul style="list-style-type: none"> <li>• PIN codes must consist of 4 to 8 digits to register.</li> <li>• The same PIN code cannot be used for multiple users.</li> <li>• Registration/management of PIN codes is set by the authority of the Master Code, which is set first.</li> <li>• Contact the Master user.</li> <li>• User codes must be entered within 5 seconds (while touchscreen is active) or process will have to be restarted.</li> <li>• Star [*] or pound [#] cannot be used as part of the PIN code.</li> </ul>
Upon entering a PIN code and pressing [*] key, the unit displays "invalid code" error or lock times out without responding.	<ul style="list-style-type: none"> <li>• Lockout Mode is enabled.</li> <li>• Only the Master can enable/disable Lockout Mode.</li> <li>• Contact the Master user.</li> </ul>
Upon entering a PIN code and pressing the [*] key, the red padlock icon appears and there are different tones.	<ul style="list-style-type: none"> <li>• Check to see if the lock is set to Lockout Mode.</li> <li>• Setting/managing Lockout Mode is done through Master Code only. Contact the Master user.</li> </ul>
The unit operates, but it makes no sound.	<ul style="list-style-type: none"> <li>• Check to see if Silent Mode is enabled (see Feature #4).</li> </ul>
The unit responds " Low Battery"	<ul style="list-style-type: none"> <li>• This is the alert to replace the batteries. Replace all four (4) batteries* with new AA Alkaline batteries.</li> </ul>
Upon entering a PIN code and pressing the [*] key, the unit responds " Wrong number of digits" .	<ul style="list-style-type: none"> <li>• The digits entered were incorrect or incomplete. Re-enter the correct code followed by the star [*] key.</li> </ul>

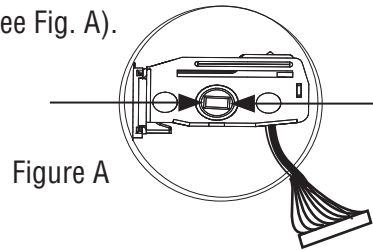
\* When batteries are replaced, Network Module locks have a real time clock that will be set through the User Interface (UI); it is recommended to verify correct date and time particularly those locks operating under Daylight Saving Time (DST).

\*\* Network Module locks only

# Hardware Troubleshooting

Cycle lock in both the locked and unlocked positions. If problems are found:

<p>Door is binding</p> <ol style="list-style-type: none"> <li>Check that door and frame are properly aligned and door is free swinging.</li> <li>Check hinges: They should not be loose or have excessive wear on knuckles.</li> </ol>
<p>Bolt will not deadlock</p> <ol style="list-style-type: none"> <li>Check for sufficient clearance of the bolt within the strike-side jamb. Correct this by increasing the depth of the pocket for the bolt.</li> <li>Check for misalignment of bolt and/or strike which may be preventing bolt from properly entering the strike. With the door open, extend and retract the bolt; if it is smooth, check the strike alignment.</li> </ol>
<p>Bolt does not extend or retract smoothly</p> <ol style="list-style-type: none"> <li>Bolt and strike are misaligned, see above.</li> <li>Check the backset of door relative to adjustments already made to bolt.</li> <li>Verify proper door preparation and re-bore holes that are too small or misaligned.</li> <li>Verify keypad wire harness is routed under the bolt (see Fig. A).</li> <li>Verify bolt is installed with correct side up (Fig. A).</li> </ol>
<p>Keypad numerics are scrolling</p> <p>Remove interior escutcheon and check to ensure that the wire harness lies flat against the back recessed area and is properly routed along the side of the escutcheon and tucked under the plastic cable guide.</p>



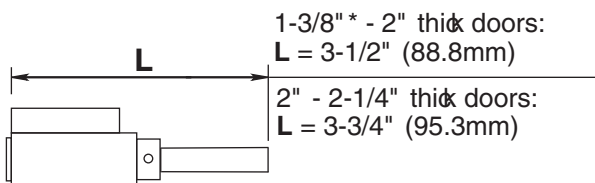
## Changing Lock: Replacing Cylinder

- To Remove cylinder:
  - Remove outside escutcheon from door.
  - Remove rubber gasket.
  - Insert small flathead screwdriver under spring. Gently lift spring.
 

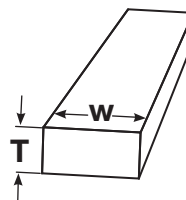
**Note:** Notch on top of cylinder engages spring.
  - Remove cylinder by pulling outward towards outside of door.

**Before installing cylinder, be sure tailpiece is correct length (see below).**

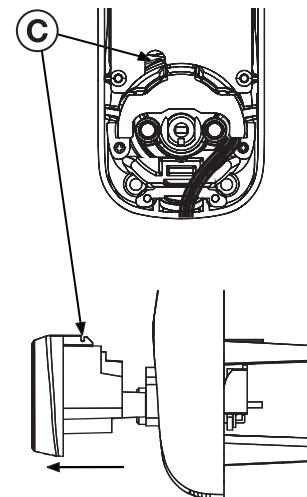
- To install new cylinder:
  - Reverse previous steps for removing cylinder.



\*Requires addition of Thin Door Kit.



Tailpiece  
**T = .098" (2.5mm)**  
**W = .2" (5.2mm)**



**FCC:***Class B Equipment*

This equipment has been tested and found to comply with the limits for a Class B digital device, pursuant to Part 15 of the FCC Rules. These limits are designed to provide reasonable protection against harmful interference in a residential installation. This equipment generates, uses, and can radiate radio frequency energy and, if not installed and used in accordance with the instructions, may cause harmful interference to radio communications. However, there is no guarantee that interference will not occur in a particular installation. If this equipment does cause harmful interference to radio or television reception, which can be determined by turning the equipment off and on, the user is encouraged to try to correct the interference by one or more of the following measures:

- Reorient or relocate the receiving antenna.
- Increase the separation between the equipment and receiver.
- Connect the equipment into an outlet on a circuit different from that to which the receiver is connected.
- Consult the dealer or an experienced radio/TV technician for help.

**Warning:** Changes or modifications to this device, not expressly approved by **Yale Security Inc.** could void the user's authority to operate the equipment.

**Industry Canada:**

This Class A digital apparatus meets all requirements of the Canadian Interference Causing Equipment Regulations.

Cet appareillage numérique de la classe A répond à toutes les exigences de l'interférence canadienne causant des règlements d'équipement.

## Yale Locks & Hardware

Product Support Tel 1-855-213-5841 • [www.yalehome.com](http://www.yalehome.com)

Yale Locks & Hardware is a division of Yale Security Inc., an ASSA ABLOY Group company.

Yale® and Yale Real Living® are registered trademarks of Yale Security Inc., an ASSA ABLOY Group company.

Copyright © 2017, Yale Security Inc., an ASSA ABLOY Group company.

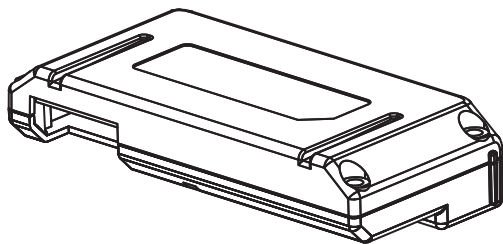
All rights reserved. Reproduction in whole or in part without the express written permission of Yale Security Inc. is prohibited.

**YALE**, with its unique global reach and range of products, is the world's favorite lock  
–the preferred solution for securing your home, family and personal belongings.

**ASSA ABLOY** is the global leader in door opening solutions,  
dedicated to satisfying end-user needs for security, safety and convenience.

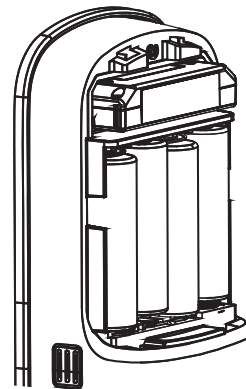
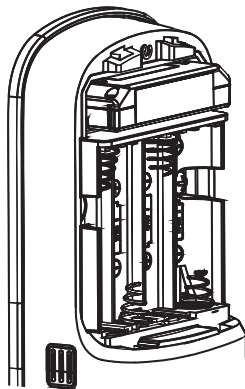
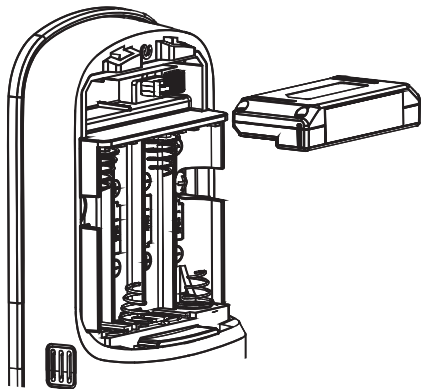


## Installing the Z-Wave® Module



**IMPORTANT:** the batteries must be removed prior to removing and/or inserting the network module:

- Remove battery cover.
- Remove batteries.
- Remove and/or insert network module.
- Reinstall batteries.
- Replace cover.



## Enrolling/Unenrolling the Network Module:

It is recommended that lock is programmed through the centralized user interface (PC or hand-held device) to ensure communication between the lock and the controller unit. The network controller first needs to be in enrollment or exclusion mode for the lock to be enrolled or unenrolled from network.

To Enroll the Module:

- Enter the 4-8 digit Master PIN code followed by the **#** key.
- Press the **7** key followed by the **#** key.
- Press the **1** key followed by the **#** key.

To Unenroll the Module:

- Enter the 4-8 digit Master PIN code followed by the **#** key.
- Press the **7** key followed by the **#** key.
- Press the **3** key followed by the **#** key.



**Warning:** Changes or modifications to this device, not expressly approved by Yale Security Inc. could void the user's authority to operate the equipment.

**FCC:**

FCC ID: UA4-YRHCPZWOLM

Model: YRMZW1

This equipment has been tested and found to comply with the limits for a Class B digital device, pursuant to Part 15 of the FCC Rules. These limits are designed to provide reasonable protection against harmful interference in a residential installation. This equipment generates, uses, and can radiate radio frequency energy and, if not installed and used in accordance with the instructions, may cause harmful interference to radio communications. However, there is no guarantee that interference will not occur in a particular installation. If this equipment does cause harmful interference to radio or television reception, which can be determined by turning the equipment off and on, the user is encouraged to try to correct the interference by one or more of the following measures:

- Reorient or relocate the receiving antenna.
- Increase the separation between the equipment and receiver.
- Connect the equipment into an outlet on a circuit different from that to which the receiver is connected.
- Consult the dealer or an experienced radio/TV technician for help.

THIS DEVICE COMPLIES WITH PART 15 OF THE FCC RULES. OPERATION IS SUBJECT TO THE FOLLOWING TWO CONDITIONS.

(1) THIS DEVICE MAY NOT CAUSE HARMFUL INTERFERENCE, AND (2) THIS DEVICE MUST ACCEPT ANY INTERFERENCE RECEIVED, INCLUDING INTERFERENCE THAT MAY CAUSE UNDESIRE OPERATION.

Industry Canada:

IC: 6982A-YRHCPZWOLM

Model: YRMZW1

**Section 7.1.2 of RSS-GEN** Under Industry Canada regulations, this radio transmitter may only operate using an antenna of a type and maximum (or lesser) gain approved for the transmitter by Industry Canada. To reduce potential radio interference to other users, the antenna type and its gain should be so chosen that the equivalent isotropically radiated power (e.i.r.p.) is not more than that necessary for successful communication.

En vertu des règlements d'Industrie Canada, cet émetteur radio ne peut fonctionner avec une antenne d'un type et un maximum (ou moins) approuvés pour gagner de l'émetteur par Industrie Canada. Pour réduire le risque d'interférence aux autres utilisateurs, le type d'antenne et son gain doivent être choisies de façon que la puissance isotrope rayonnée équivalente (PIRE) ne dépasse pas ce qui est nécessaire pour une communication réussie.

**Section 7.1.3 of RSS-GEN** This Device complies with Industry Canada License-exempt RSS standard(s). Operation is subject to the following two conditions: 1) this device may not cause interference, and 2) this device must accept any interference, including interference that may cause undesired operation of the device.

Cet appareil est conforme avec Industrie Canada RSS standard exemptes de licence(s). Son fonctionnement est soumis aux deux conditions suivantes: 1) ce dispositif ne peut causer des interférences, et 2) cet appareil doit accepter toute interférence, y compris les interférences qui peuvent causer un mauvais fonctionnement du dispositif.

## Yale Locks & Hardware

Product Support Tel 1-855-213-5841 • [www.yalehome.com](http://www.yalehome.com)

Yale Locks & Hardware is a division of Yale Security Inc., an ASSA ABLOY Group company.

Yale® and Yale Real Living® are registered trademarks of Yale Security Inc., an ASSA ABLOY Group company.

Other products' brand names may be trademarks or registered trademarks of their respective owners and are mentioned for reference purposes only.

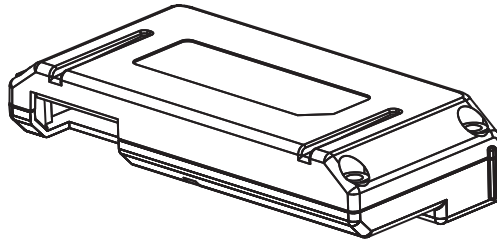
Copyright © 2017, Yale Security Inc., an ASSA ABLOY Group company.

All rights reserved. Reproduction in whole or in part without the express written permission of Yale Security Inc. is prohibited.

**YALE**, with its unique global reach and range of products, is the world's favorite lock  
— the preferred solution for securing your home, family and personal belongings.

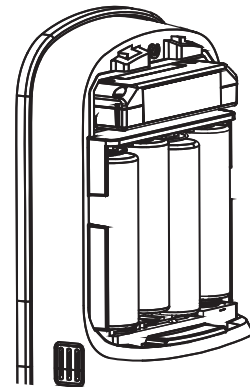
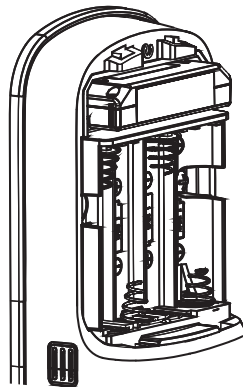
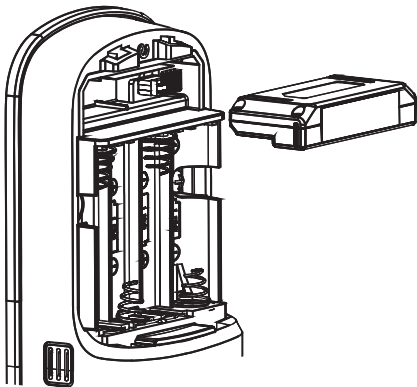
ASSA ABLOY is the global leader in door opening solutions,  
dedicated to satisfying end-user needs for security, safety and convenience.

## Installing the ZigBee® Module



**IMPORTANT:** the batteries must be removed prior to removing and/or inserting the network module:

- Remove battery cover.
- Remove batteries.
- Remove and/or insert network module.
- Reinstall batteries.
- Replace cover.



## Enrolling/Unenrolling the Network Module:

It is recommended that lock is programmed through the centralized user interface (PC or hand-held device) to ensure communication between the lock and the controller unit. The network controller first needs to be in enrollment or exclusion mode for the lock to be enrolled or unenrolled from network.

To Enroll the Module:

- Enter the 4-8 digit Master PIN code followed by the **#** key.
- Press the **7** key followed by the **#** key.
- Press the **1** key followed by the **#** key.

To Unenroll the Module:

- Enter the 4-8 digit Master PIN code followed by the **#** key.
- Press the **7** key followed by the **#** key.
- Press the **3** key followed by the **#** key.



**FCC:**

FCC ID: UA4-YRHCPZB0FM

Model: YRMZB2

This equipment has been tested and found to comply with the limits for a Class B digital device, pursuant to Part 15 of the FCC Rules. These limits are designed to provide reasonable protection against harmful interference in a residential installation. This equipment generates, uses, and can radiate radio frequency energy and, if not installed and used in accordance with the instructions, may cause harmful interference to radio communications. However, there is no guarantee that interference will not occur in a particular installation. If this equipment does cause harmful interference to radio or television reception, which can be determined by turning the equipment off and on, the user is encouraged to try to correct the interference by one or more of the following measures:

- Reorient or relocate the receiving antenna.
- Increase the separation between the equipment and receiver.
- Connect the equipment into an outlet on a circuit different from that to which the receiver is connected.
- Consult the dealer or an experienced radio/TV technician for help.

This equipment complies with FCC radiation exposure limits set forth for an uncontrolled environment. This equipment should be installed and operated with minimum distance 20cm between the radiator and your body. This transmitter must not be co-located or operating in conjunction with any other antenna or transmitter.

This device complies with Part 15 of the FCC rules. Operation is subject to the following two conditions: (1) This device may not cause harmful interference, and (2) this device must accept any interference received, including interference that may cause undesired operation. Any changes or modifications not expressly approved by manufacturer could void the user's authority to operate the equipment.

**IMPORTANT!** Any changes or modifications not expressly approved by the party responsible for compliance could void the user's authority to operate this equipment.

Industry Canada:

IC: 6982A-YRHCPZB0FM

Model: YRMZB2

**Section 8.4 of RSS-GEN** This Device complies with Industry Canada License-exempt RSS standard(s). Operation is subject to the following two conditions: 1) this device may not cause interference, and 2) this device must accept any interference, including interference that may cause undesired operation of the device.

Le présent appareil est conforme aux CNR d'Industrie Canada applicables aux appareils radio exempts de licence. L'exploitation est autorisée aux deux conditions suivantes: (1) l'appareil ne doit pas produire de brouillage, et (2) l'utilisateur de l'appareil doit accepter tout brouillage radioélectrique subi, même si le brouillage est susceptible d'en compromettre le fonctionnement.

**Important Note:****Radiation Exposure Statement:**

This equipment complies with IC radiation exposure limits set forth for an uncontrolled environment. This equipment should be installed and operated with minimum distance 20cm between the radiator and your body.

**Note Importante: (Pour l'utilisation de dispositifs mobiles)****Declaration d'exposition aux radiations:**

Cet équipement est conforme aux limites d'exposition aux rayonnements IC établies pour un environnement non contrôlé. Cet équipement doit être installé et utilisé avec un minimum de 20 cm de distance entre la source de rayonnement et votre corps.

**IMPORTANT!** Any changes or modifications not expressly approved by the party responsible for compliance could void the user's authority to operate this equipment.

**IMPORTANT!** Tous les changements ou modifications pas expressément approuvés par la partie responsable de la conformité ont pu vider l'autorité de l'utilisateur pour actionner cet équipement.

## Yale Locks & Hardware

Product Support Tel 1-855-213-5841 • [www.yalehome.com](http://www.yalehome.com)

Yale Locks &amp; Hardware is a division of Yale Security Inc., an ASSA ABLOY Group company.

Yale® and Yale Real Living® are registered trademarks of Yale Security Inc., an ASSA ABLOY Group company.

Other products' brand names may be trademarks or registered trademarks of their respective owners and are mentioned for reference purposes only.

Copyright © 2017, Yale Security Inc., an ASSA ABLOY Group company.

All rights reserved. Reproduction in whole or in part without the express written permission of Yale Security Inc. is prohibited.

**YALE**, with its unique global reach and range of products, is the world's favorite lock  
– the preferred solution for securing your home, family and personal belongings.

**ASSA ABLOY** is the global leader in door opening solutions,  
dedicated to satisfying end-user needs for security, safety and convenience.