



WREN

Wren Inverted Suspension Fork Owner's Manual for Stromer E-bikes



WARNING!

Please read this entire owner's manual carefully before riding. Please make sure that you follow the warning, safety and maintenance instructions strictly. Your suspension fork should only be installed and serviced by an Authorized Dealer or Authorized Service Center.

Safety Information:

1. It is extremely important that your Wren Inverted Fork be installed correctly by an Authorized Dealer. Incorrectly installed forks are dangerous and can result in loss of control of the bicycle and severe and/or fatal injuries.
2. Be sure your front axle is installed correctly and tightened properly. Always install the axle from the brake side of the fork. When installing the axle it should slide easily completely through to the opposite side. If the axle binds as you are sliding it through, move one of the fork legs slightly up or down until the axle slides easily and completely through. Thread the bolt into the axle and using 8 mm allen wrenches, tighten the axle to a maximum of 8 Nm.
3. Do not remove or repair the damper cartridge yourself. High pressure inside the cartridge may cause injuries and disassembly may lead to damage. Only an Authorized Service Center should replace the damper cartridge if it is damaged or fails.
4. Do not remove or service the air spring yourself. High pressure inside the air spring may cause injuries and disassembly may lead to damage. Only an Authorized Service Center should service the air spring.
5. Avoid applying water pressure directly at the stanchions and/or wipers. This can dissolve necessary lubricants that are needed to keep the fork functioning properly.
6. Be cautious when mounting the bicycle to a carrier. Carriers that hold the bike in trays with the wheels on are preferred. Follow the instructions of the carrier manufacturer. Avoid mounting the bike by fixing it at the dropouts (front wheel removed). The dropouts could be damaged.
7. If your bike is transported by air, release the air pressure from the air spring side of the fork before packing. Deflating the air spring before transport avoids pressure damage during transport.
8. After a crash, or if you notice any material failures such as bending or cracking, have your bike and your fork inspected by your Authorized Dealer or an Authorized Service Center as internal damage may occur. Failure to do this may result in damage and severe and/or fatal injury.
9. Always use genuine Wren parts. Use of different parts voids the warranty and could cause structural failure of the fork resulting in loss of control of the bike with possible damage and/or injuries.
10. Understand the limits of your skill and experience. Never exceed these limits while riding.
11. Always use approved safety gear when riding. Obey all local regulations for required safety equipment.
12. Wren forks are not equipped with front reflectors. If you will be using your bike on public roads and paths, install the required reflectors. Stromer installs the required reflectors on all complete E-bikes.
13. Always thoroughly check the entire E-bike for any loose parts, damage or leaks before riding. Failure to do so may result in severe and/or fatal injury.

Danger of Improper Use

Use only on normal roads. No jumping, wheelies, stunts or other improper use is acceptable.

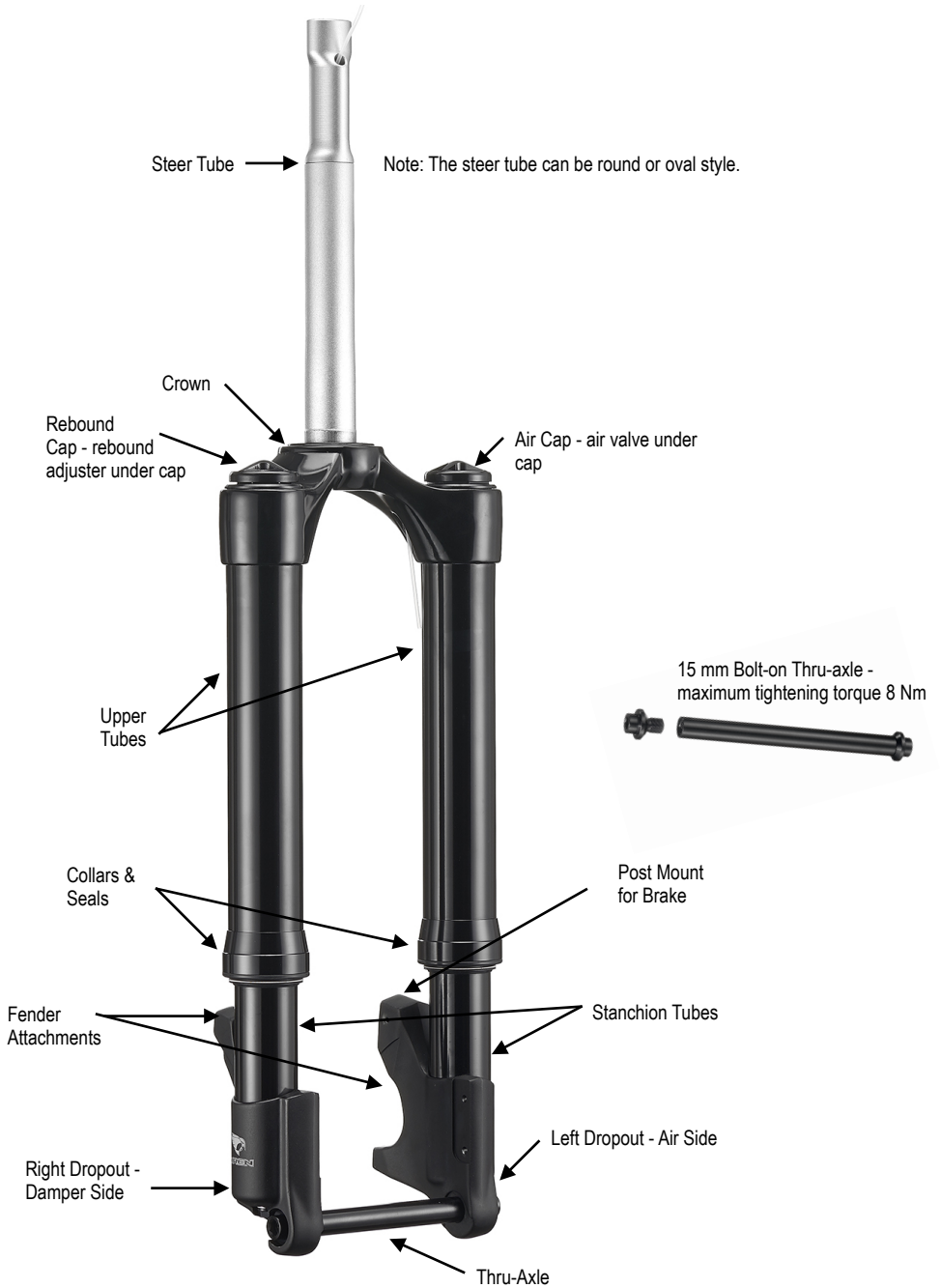
Modular Fork

This Wren fork is assembled and designed from a modular point of view. This means all parts can be serviced or exchanged for new parts when needed. However, service to internal and sealed parts must be done by an Authorized Dealer or Authorized Service Center. If a Wren fork is serviced by anyone other than an Authorized Dealer or Authorized Service Center, the consumer warranty will void.

Warranty

The original manufacturer warrants this Wren fork for a period of two years from the date of purchase to be free from defects in materials or workmanship for the first owner only. During this warranty period we will replace or repair any defective component of the fork at our discretion. Paint, anodizing, bushing or seal damage caused by normal use ("wear and tear") are not covered by this warranty. We shall not be held liable for any damage caused by a crash, insufficient maintenance or ignorance of the safety and maintenance instructions. We shall not be held liable for normal maintenance. A dated sales receipt must be presented to confirm the fork is still under warranty.

Wren Inverted Suspension Fork for Stromer E-bike



Important Safety and Maintenance Instructions:

To maintain safety, long life and high performance of your Wren Inverted Suspension Fork, periodic maintenance is required. If you frequently ride in wet, muddy or other extreme conditions, a 50% reduction in recommended maintenance intervals listed below is necessary.

1. After every ride gently clean and dry the exterior of your fork, if necessary.
2. Check that all bolts and nuts are still tightened properly. The areas to check are:
 - a) Remove the air valve cap on top of the air side of the fork and locate the 26 mm nut under the cap. Use a 26 mm socket to **ensure the nut is tightened to 10 Nm.**
 - b) Remove the rebound cap on top of the damper side of the fork and locate the 27 mm top of the damper under the cap. Use a 27 mm socket to **ensure the damper is tightened to 12.5 Nm.**
 - c) Locate the damper fixing bolt on the bottom of the damper side of the fork. Using a 9 mm socket, **ensure this bolt is tightened to 6 Nm.**
 - d) Using 8 mm allen wrenches, **ensure your axle is tightened to a maximum of 8 Nm.**
3. Minimum **every 25 hours of riding** you should check the smoothness of your fork. The stanchions need to run smoothly up and down through the seals. If they do not run smoothly, gently clean the stanchions and put 2-3 drops of a Teflon-based oil around the stanchions and around the seal lip and move the stanchions up and down through the compression stroke (this is easier when you release some air pressure through the air valve).
4. Check the stanchion tubes for deep scratches you can feel and also inspect the seals for any wear or tear. If one of the above mentioned parts appears damaged, send your fork to an Authorized Service Center for repairs.
5. **After 400 hours of riding**, your fork should be fully serviced only by an Authorized Dealer or Authorized Service Center. This entails a complete cleaning and re-lubrication of the internal parts of the fork.

Fork Setup/Performance Tuning

Please follow these instructions for initial setup and if you want to modify the ride or feel of this fork. For additional information, please contact your Authorized Dealer or contact Wren directly.

You must determine the correct fork setup for your weight and riding style. Your fork is installed on the bike with a preset pressure in the air chamber and a preset amount of rebound. **Remember, the following is a guide. The final settings are determined by paying attention to the feel of the fork and making adjustments to air pressure and rebound over your first few rides.**

Single Air Fork Sag Setup

Your Wren fork utilizes a single air valve on top of the air side leg to add or remove air. You should set your sag wearing whatever gear you typically wear or carry when riding. Your fork has 30 mm of travel. A typical sag setting is 20% of travel, or in this case, 6 mm of sag.

Remove the black air valve cap and use a suspension pump to pump up the fork to approximately 4 bar / 58 psi air pressure. **Maximum air pressure is 8.2 bar / 120psi.** Now check for the proper sag.

Sag is the amount of travel that is used when a rider sits on the bike and the suspension compresses under the rider's weight. Sag is needed to achieve a well-functioning fork as the fork must not only compress to absorb bumps, but also extend to absorb dropping into holes. Setting your sag is easier if you have a second person to help steady the bike and slide the o-ring located on the stanchion, but can be done alone. Sag on this fork should be set at 6 mm. This can be easily measured by first locating the rubber o-ring on the air side stanchion tube. Sit on the bike with all your riding gear and bounce the fork up and down a few times to cycle the damper. Then settle into your riding position and stay as steady as possible. Slide the o-ring up against the seal. Do not bounce/compress the fork while doing this. Carefully dismount being sure not to compress the fork. The fork will rebound as you dismount. Now measure the distance between the o-ring and the seal. If the distance is less than 6 mm, slightly reduce the air pressure in the air spring. If the distance is more than 6 mm, slightly increase the air pressure in the air spring. Continue this method until you reach the correct sag of 6 mm. This setup is now your starting point. Adjustments from here need to be done as you ride and feel out your new fork. If you find your fork is bottoming out when going over bumps or drops, add a small amount of air to prevent this.

Rebound Adjustment:

The rebound speed of the hydraulic damper can be fine-tuned to fit your riding style. Rebound damping regulates the speed at which your fork recovers, or bounces back, from an impact and returns to its full travel. The rebound adjuster is located under the black cap on top of the damper leg. Use a 3 mm allen wrench in the bolt to make adjustments. There are approximately 7 turns of adjustment.

Turn the adjuster clockwise for slower rebound. Slower rebound means that the outward movement of the fork after compression is slower (the damping is higher). A slower setting is best if you typically ride on smooth surfaces.

Turn the knob counter-clockwise for faster rebound. Faster rebound brings the fork back to its original position faster. For bumpy rides, we recommend a fast setting so the fork recovers quicker and is ready to absorb the next bump.

To start, try setting the rebound adjuster to the middle setting. While riding, pay attention to how the fork is reacting and make small adjustments as necessary. If you find the fork is bouncing while on smooth surfaces, slow the rebound by turn the adjuster clockwise. If you find the fork is not reacting fast enough to a bumpy surface and is getting lower in the travel (also referred to as "packing"), speed up the rebound by turning the adjuster counter-clockwise.

Do not try to force the rebound adjuster past its limits. Squishy sounds in the sealed rebound stages are normal, it's just the oil flowing back into the compression stage of the cartridge. Your fork is working properly. Faster settings will lessen the noise, but the noise is normal, so adjust your fork to achieve the best ride.

First Ride

It is advised to ride the fork on a flat surface at first in order to make any adjustments necessary to achieve the ride you want. A new fork will have slight seal friction. Seals and stanchions need to break in and after a few hours of riding the fork will move up and down smoother. If this changes the feeling you want, simply readjust your settings.

We want your first ride on your new Wren Inverted Suspension fork to be perfect. If you have any questions, please contact your Authorized Dealer or Authorized Service Center for immediate assistance.

To find an Authorized Stromer Dealer, please go to: www.stromerbike.com

You may contact Wren Tech Support directly at: info@wrensports.com

Fork Service Center for USA:

Wren Sports, 9 Howard Court, Lebanon, NJ 08833
201-588-5949, info@wrensports.com

Fork Service Centers for EU:

FigJam Cycles, 12 Keatingstown, Wicklow, County Wicklow, A67 D431, Ireland
+353 86 883 9406, figjamcycles@yahoo.ie

IJser-Cycle, Bergenstraat 5, 8972 Roesbrugge, Belgium
+0033(0)6.72.70.21.19, IJsercycle@gmail.com



Wren Sports • 1329 Glenn Street • Vallejo, CA 94590 • USA
<https://wrensports.com> • info@wrensports.com • 707-652-2737