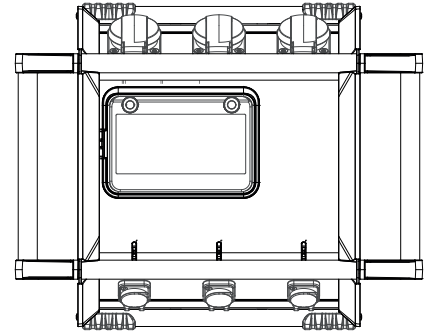


Instagrid LINK is a smart power distributor that extends the features of your portable power supply and enables new and powerful applications.

- Island mode – combine Instagrid ONE units for up to 3 x power capacity. Hot-swap seamlessly for extended run times without the hassle of generators or extension cords.
- Continuous power source – set up a mission-critical power supply with no interruptions.
- Power up to three devices with RCD-protection without noise or exhaust fumes throughout the whole working day.



Technical Specifications

Product Name	Instagrid LINK 36
Product Description	LINK Type F 230V 16A IP54
Region	EU
Item-No.	990-00001
EAN Code	4260710090050
Operation	
Max. nominal voltage output	230 V AC
Frequency	50 Hz
Max. output current	16 A
Max. input power	3600 W
Switching time	< 20 ms
Line Protection	
Residual circuit device	3x 1P+N RCD type A, 30mA
Circuit breaker	1P B16
General Information	
Weight	4.5 kg
Size	400 x 310 x 140 mm
IP Class	IP54
Protection class	Class II / double-insulated
Permitted operation temperatur	-15°C to 40 °C
Connections	
Input Sockets	3 x Neutrik powerCON TRUE1® TOP®
Output Sockets	3 x CEE 7/3 16 A