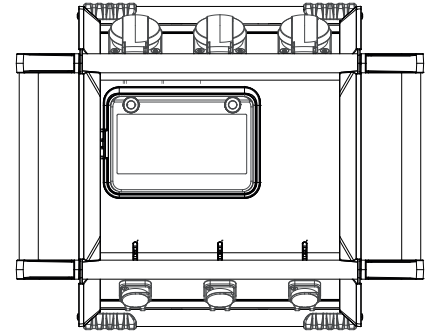


Instagrid LINK is a smart power distributor that extends the features of your portable power supply and enables new and powerful applications.

- Island mode – combine Instagrid ONE units for up to 3 x power capacity. Hot-swap seamlessly for extended run times without the hassle of generators or extension cords.
- Continuous power source – set up a mission-critical power supply with no interruptions.
- Power up to three devices with RCD-protection without noise or exhaust fumes throughout the whole working day.



## Technical Specifications

Product Name	Instagrid LINK 36
Product Description	LINK   Type CEE   230V   16A   IP54
Region	UK
Item-No.	990-00002
EAN Code	4260710090081
<b>Operation</b>	
Max. nominal voltage output	230 V AC
Frequency	50 Hz
Max. output current	16 A
Max. input power	3,600 W
Switching time	< 20 ms
<b>Line Protection</b>	
Residual circuit device	3x 1P+N RCD type A, 30mA
Circuit breaker	1P B16
<b>General Information</b>	
Weight	4.5 kg
Size	400 x 310 x 140 mm
IP Class	IP44
Protection class	Class II / double-insulated
Permitted operation temperatur	-15°C to 40 °C
<b>Connections</b>	
Input Sockets	3 x Neutrik powerCON TRUE1® TOP®
Output Sockets	3 x CEE-Form (IEC 60309) 240 V / 16 A / 3P 6h