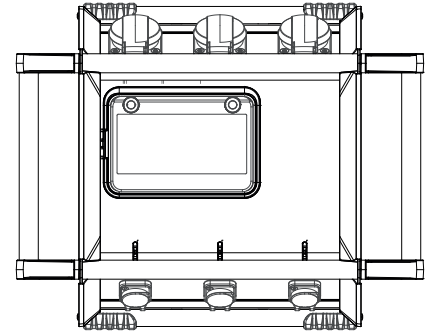


Instagrid LINK is a smart power distributor that extends the features of your portable power supply and enables new and powerful applications.

- Island mode – combine Instagrid ONE units for up to 3 x power capacity. Hot-swap seamlessly for extended run times without the hassle of generators or extension cords.
- Continuous power source – set up a mission-critical power supply with no interruptions.
- Power up to three devices with RCD-protection without noise or exhaust fumes throughout the whole working day.



Technical Specifications

Product Name	Instagrid LINK 24
Product Description	LINK Type B 120V 20A IP44
Region	US
Item-No.	990-00005
EAN Code	4260710090111

Operation

Max. nominal voltage output	120 V AC
Frequency	60 Hz
Max. output current	20 A
Max. input power	2,400 W
Switching time	< 20 ms

Line Protection

Residual circuit device	3x 2P RCD type A UL, 30mA
Circuit breaker	1P 20A

General Information

Weight	4.5 kg (9.9 lb)
Size	400 x 310 x 140 mm
IP Class	IP44
Protection class	Class II / double-insulated
Permitted operation temperatur	5 °F to 104 °F

Connections

Input Sockets	3 x Neutrik powerCON TRUE1® TOP®
Output Sockets	3 x Nema 5-20R 20A