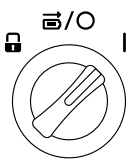


Our portable battery power supply was designed specifically for professional applications, providing a power socket without constraints wherever it is required. Lightweight, robust, powerful, and flexible. The new standard for mobile work.

 **Receptacle type:**
2x NEMA 5-20 (20 A)

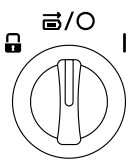
Parameter	Value
Mode of operation: Discharging	
Output voltage	120 V AC / 60 Hz
Rated output power	3,600 W (30 A)
150% overload / 5,400 W (45.0 A)	up to 450.0 seconds
200% overload / 7,200 W (60.0 A)	up to 60.0 seconds
250% overload / 9,000 W (75.0 A)	up to 16.0 seconds
300% overload / 10,800 W (90.0 A)	up to 6.5 seconds
Peak Power	18,000 W
Circuit breaker	30 A eFuse (tripping characteristic C) and one 20 A thermal breaker per NEMA 5-20 receptacle
Ambient temperature	-4 °F to 140 °F / -20 °C to 60 °C
Mode of operation: Charging	
Input voltage	100 - 136 V AC / 50 - 60 Hz
Rated input current	6 A
Rated input power	600 - 840 W
Charge time / 0 to 80% (120 V AC)	below 4.0h (at room temperature 77 °F / 25 °C)
Charge time / 0 to 100% (120 V AC)	below 5.0h (at room temperature 77 °F / 25 °C)
Ambient temperature	32 °F to 113 °F / 0 °C to 45 °C
General information	
Nominal battery capacity	2,074 Wh (24 packs / 86.4 Wh each)
Weight	46 lb / 21 kg
Dimensions	16.7 x 8.3 x 16.5 in / 424 x 210 x 420 mm
IP Class	IP44 / UL Rain Test (rainproof)
Protection class	Class II / double-insulated
Noise emission	below 30 dB(A) / whisper-quiet (fanless)
Receptacles	
Output receptacle (120 V AC)	2x NEMA 5-20
Output receptacle (120 V AC)	Instagrid Accessories Outlet (e.g. with adapter to NEMA 5-30 socket)
Input receptacle	Neutrik powerCON® TRUE1 TOP

Operation



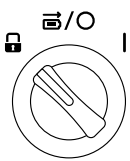
[ON]

- All **output** receptacle are **active**
- Input receptacle is **inactive**



[Standby / Charging]

- **Input** receptacle is **active**
- Output receptacles are **inactive**



[OFF / Transport]

- All **receptacle** (inputs and outputs) are **inactive**
- Shipment is permitted (transport regulation UN 3480 must be observed)

Handling



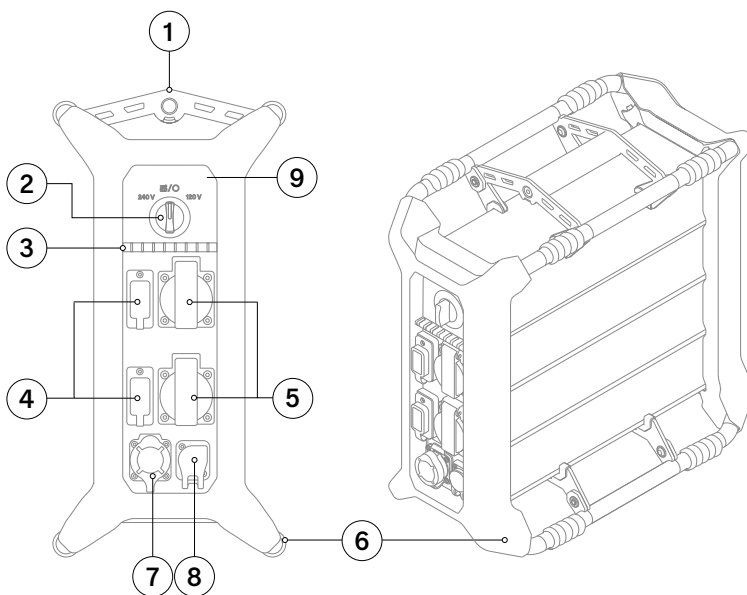
[Charging]

- Connect charging cable
- 0 – 80% in under 4 hours (120 V AC)
- 0 – 100% in under 5 hours (120 V AC)

[Storage / Transport]

- Switch the instagrid GO 36 DV into transport mode for storage

Overview



- 1 Carrying handle
- 2 Rotary switch
- 3 LED display
- 4 Thermal breaker (20A)
- 5 Output receptacle
- 6 Frame
- 7 Instagrid Accessories Outlet
- 8 120V AC - input receptacle powerCON® TRUE1 TOP
- 9 Front cap

