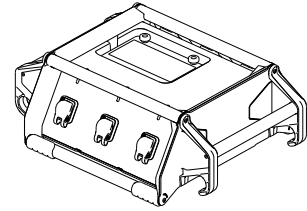


LINK 24

Technical Specifications

Version 1.0 (Nov 2024)



Instagrid LINK 24 is a smart power distributor that extends the features of your portable power supply and enables new and powerful applications.

- Island mode – combine Instagrid GO 36 DV units for up to 3 x capacity. Hot-swap seamlessly for extended run times without the hassle of generators or extension cords.
- Power up to three devices with RCD-protection without noise or exhaust fumes throughout the whole working day.

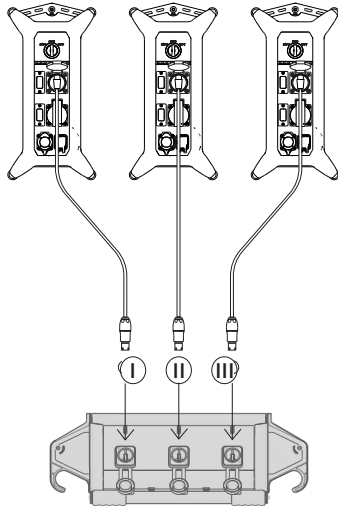
 **Receptacle type**
3x NEMA 5-20 (20 A)

Product Description:
LINK | Type NEMA | 120V | 20A | IP44

Art.Nr.: 990-00005
EAN/GTIN: 4260710090111

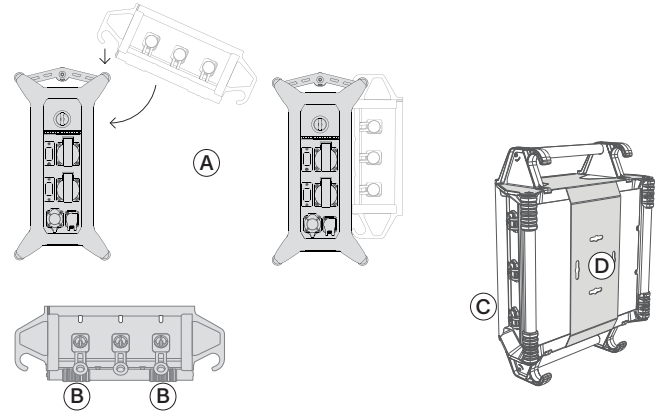
Parameter	Value
Operation	
Nominal voltage output	120 V AC / 60 Hz
Nominal output current	20 A
Nominal output power	2,400 W
Switching time	< 20 ms
Protection	
Residual circuit device	3x 2P RCD type A UL, 30mA
Circuit breaker	1P 20 A (tripping characteristic C)
General Information	
Weight	9.9 lb / 4.5 kg
Size	15.8 x 12.2 x 5.5 in / 400 x 310 x 140 mm
IP Class	IP44 / UL Rain Test (rainproof)
Protection class	Class I provided with Class II construction
Ambient temperature	-4 °F to 131 °F / -20 °C to 55 °C
Receptacles	
Input receptacles	3x Neutrik powerCON TRUE1 TOP®
Output receptacles	3 x Nema 5-20R 20A

Input Logic



- The delivered connection cable Nema 5-20 can be used to connect Instagrid LINK 24 with a power unit
- Instagrid LINK always uses power from ❶ when available, otherwise it uses power from ❷ and ❸
- ❷ and ❸ work in a “ping-pong” system → switch to another source only occurs if power from the current source ceases
- Continuous power source:
Plug main power into ❶ + one or two Instagrid GO 36 DV into ❷ and ❸

Operation and Transport

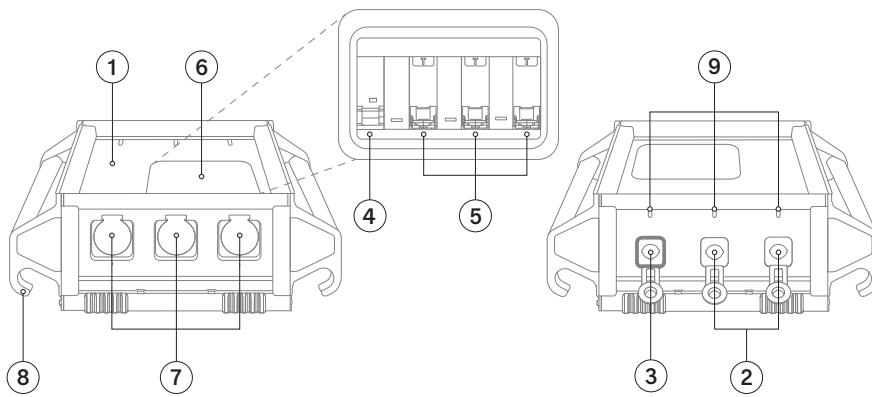


- Optimized for mounting on Instagrid GO 36 DV **A**
- 4 sturdy feet for stability and grip **B**
- Solid frame for custom mounting (e.g. velcro straps) **C**
- Surface mounting with screws **D**

Operation Modes

	Active	LED blinks GREEN
	Ready/standby	LED lights up WHITE
	Inactive	LED is OFF
	Service	LED lights up RED

Overview



- 1 Housing
- 2 2x Secondary input
Neutrik powerCON TRUE1 TOP®
- 3 1x Primary input
Neutrik powerCON TRUE1 TOP®
- 4 1x Circuit breaker (MCB)
- 5 3x Circuit breaker (RCCB)
- 6 Accessible fuse box
- 7 3x Output sockets
- 8 Handle and hook
- 9 3x LED light