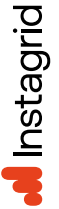
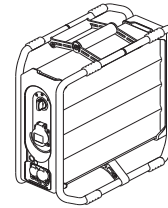




Technical Specifications

Version 1.0 (Dec.2024)



Our portable battery power supply was designed specifically for professional applications, providing a power socket without constraints wherever it is required. Lightweight, robust, powerful, and flexible. The new standard for mobile work.

- No noise, no fumes. Fanless design and no exhaust emissions
- Truly portable, single-handed mobility. 20 kg
- Gridlike performance, delivering 3.6 kW rated output and 18.000 W peak power



Receptacle-Type:
CEE 7/3 16 A

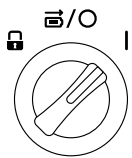
Product Description:

ONE | Type F | 230V | 16A | IP54

Part Nr.: 901-00001
EAN/GTIN: 4260710090005

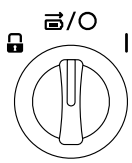
Parameter	Value
Mode of operation: Discharging	
Output voltage	230 V AC / 50 Hz
Rated output power	3,600 W (16 A)
150% overload / 5,400 W (24.0 A)	up to 500.0 seconds
200% overload / 7,200 W (32.0 A)	up to 50.0 seconds
250% overload / 9,000 W (40.0 A)	up to 10.0 seconds
Peak Power	18,000 W
Circuit breaker	16 A eFuse (tripping characteristic B)
Ambient temperature	-20 °C to 60 °C
Mode of operation: Charging	
Input voltage	100 - 240 V AC / 50 - 60 Hz
Rated input current	4 A
Rated input power	400 - 960 W
Charge time / 0 to 100% (230 V AC)	below 2.5h (at room temperature 25 °C)
Ambient temperature	0 °C to 45 °C
General information	
Nominal battery capacity	2,074 Wh (24 packs / 86.4 Wh each)
Weight	20 kg
Dimensions	420 x 210 x 420 mm
IP Class	IP54
Protection class	Class II / double-insulated
Noise emission	below 30 dB(A) / whisper-quiet (fanless)
Receptacles	
Output receptacle (230 V AC)	CEE 7/3 16 A
Output receptacle (230 V AC)	Neutrik powerCON TRUE1 TOP®
Input receptacle	Neutrik powerCON TRUE1 TOP®
Input fuse	T5A L 250 V

Operation



[ON]

- All **output** receptacle are **active**
- Input receptacle is **inactive**



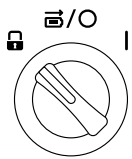
[Standby / Charging]

- **Input** receptacle is **active**
- Output receptacles are **inactive**



[Charging]

- Connect charging cable
- 0 – 100% in under 2.5 hours (230 V AC)



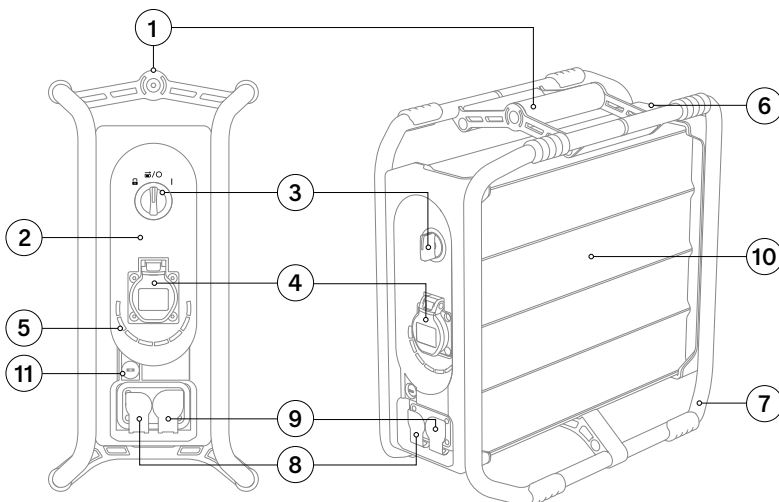
[OFF / Transport]

- All **receptacle** (inputs and outputs) are **inactive**
- Shipment is permitted (transport regulation UN 3480 must be observed)

[Storage / Transport]

- Switch Instagrid ONE into transport mode for storage

Overview



- 1 Carrying handle
- 2 End cap, front
- 3 Rotary switch
- 4 Output socket CEE 7/3
- 5 LED display
- 6 End cap, rear
- 7 Frame
- 8 AC charging input (*)
- 9 Output socket (*)
- 10 Housing
- 11 Melting fuse of the charging input

(*) Neutrik powerCON® TRUE1® TOP

