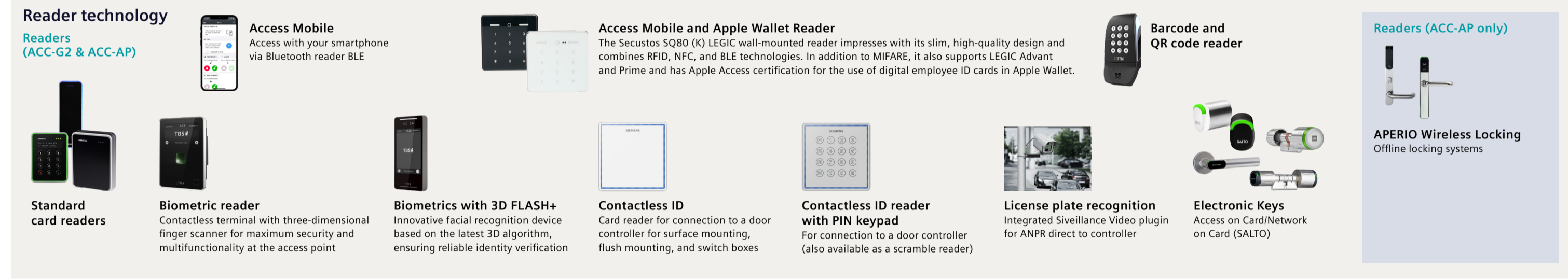
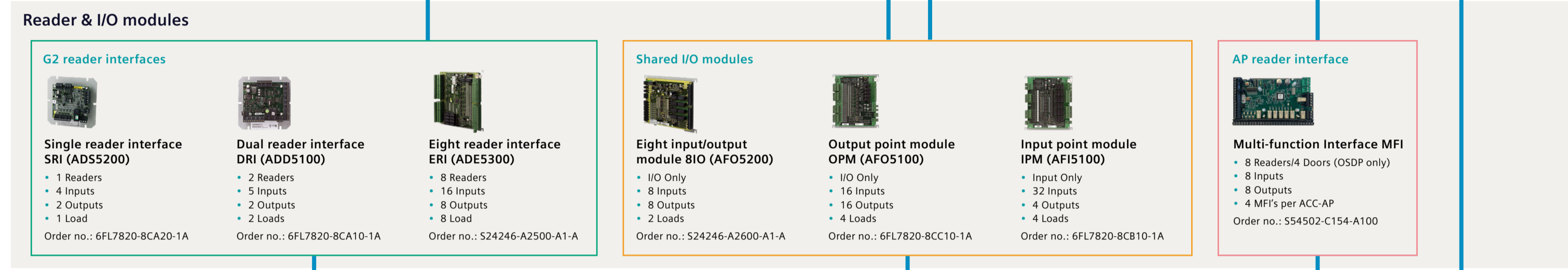
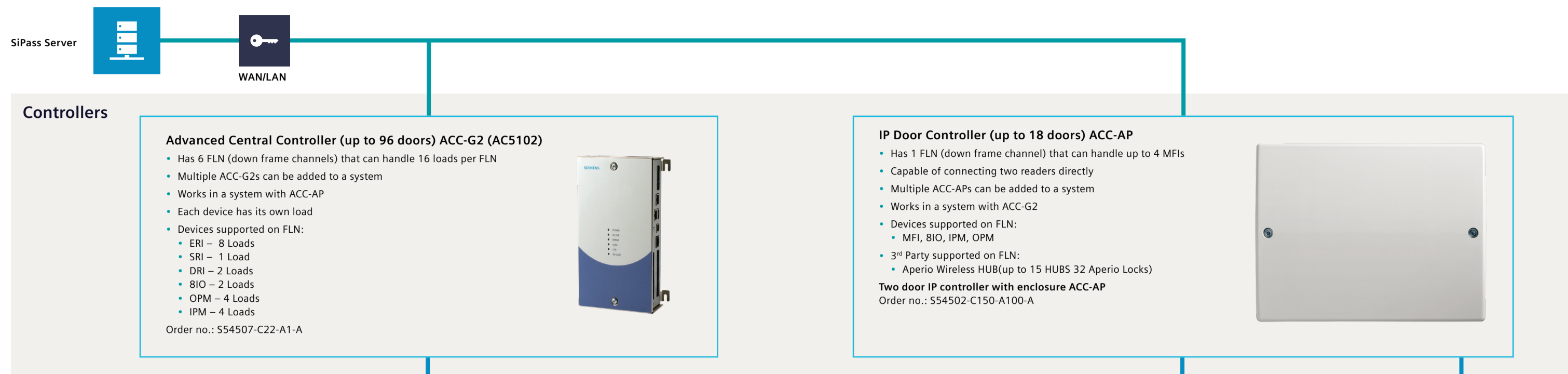
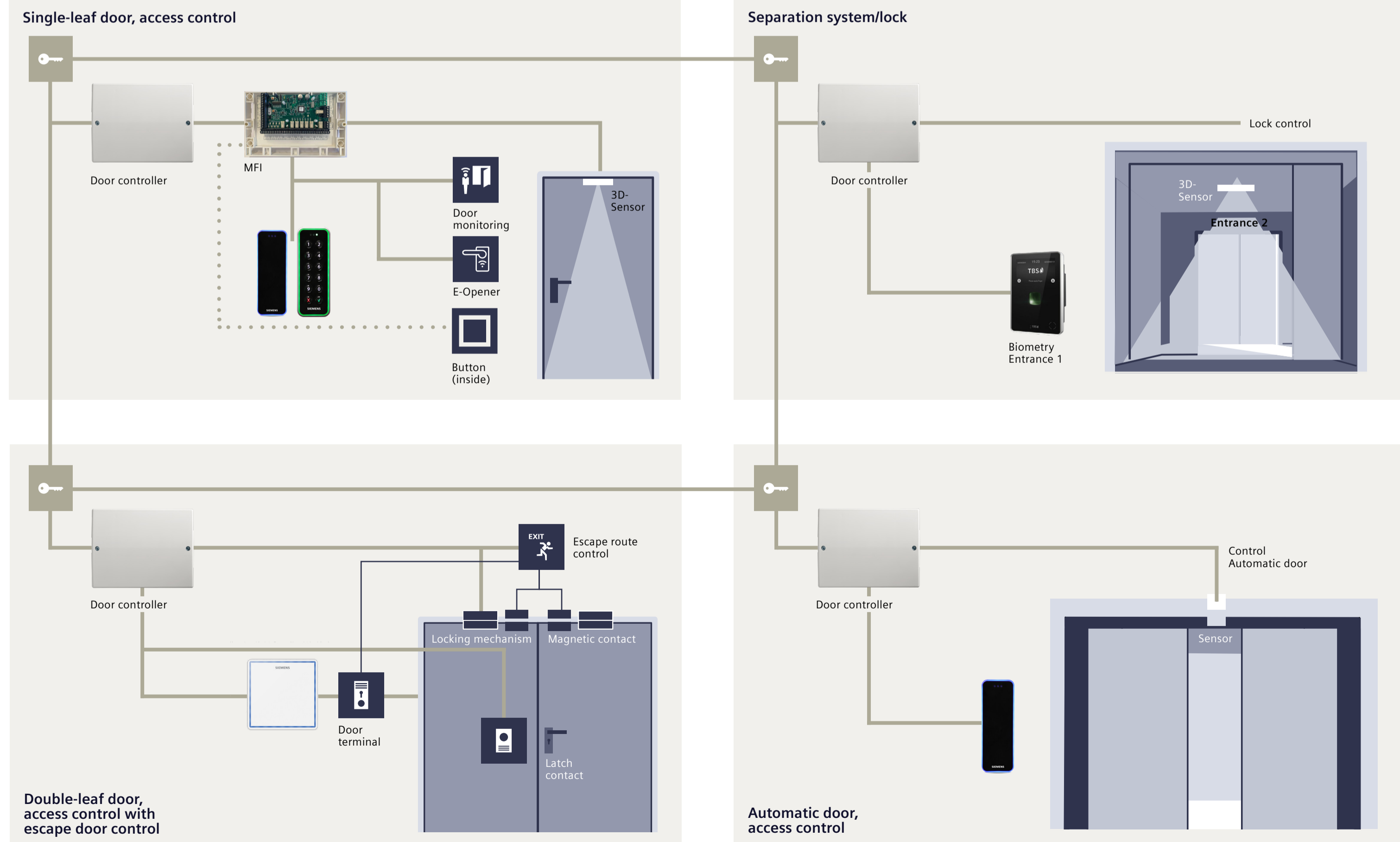


Hardware architecture



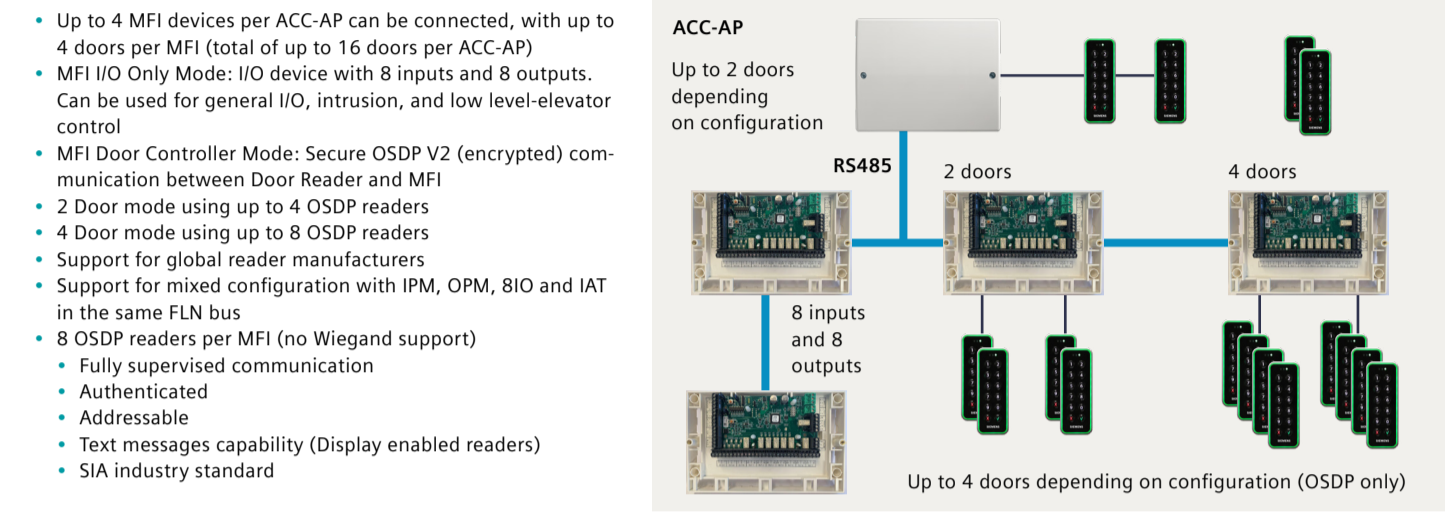
Installation examples



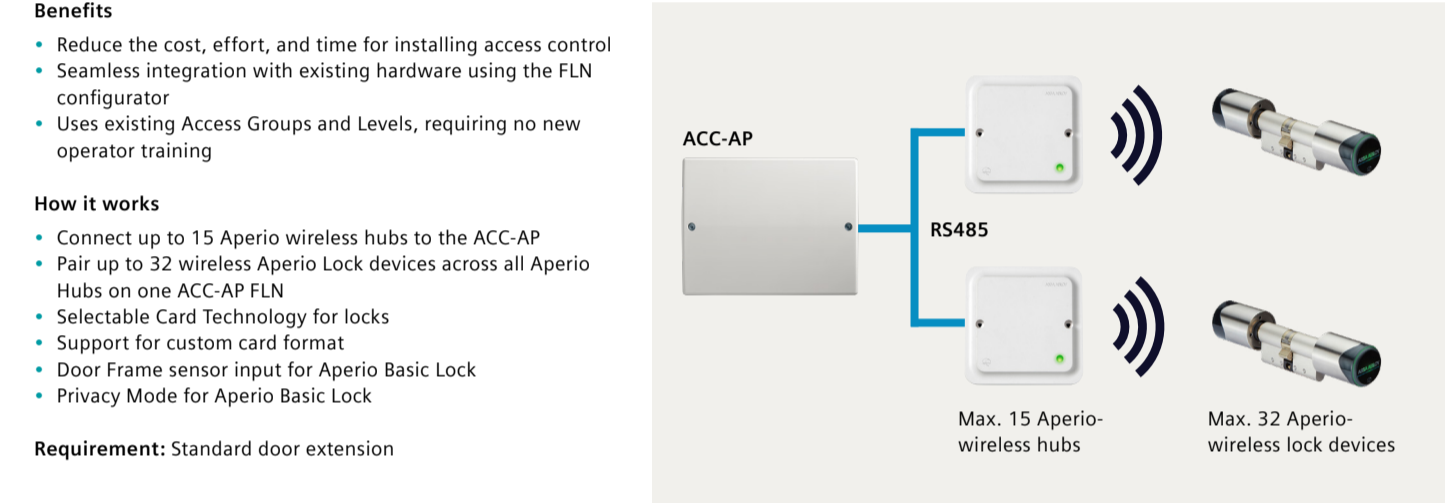
Wire legend

Device type	Conductor	AWG* Minimum size	Shielded / Non-Shielded
Card readers			
Mullion Reader	4 Wires OSDP / 6 Wires Wiegand	22 AWG	STP
Mullion Reader w/Keypad	4 Wires OSDP / 6 Wires Wiegand	22 AWG	STP
Single Gang Reader	4 Wires OSDP	22 AWG	STP
Single Gang Reader w/Keypad	4 Wires OSDP	22 AWG	STP
Controllers			
ACC-G2 (ACS Controller)	FLN RS485	22 AWG	STP
ACC-AP (ACS Access Point)	FLN RS485	22 AWG	STP
Reader Interface Modules			
SRI (Single Reader Interface)	FLN RS485	22 AWG	STP
DRI (Dual Reader Interface)	FLN RS485	22 AWG	STP
ERI (Eight Reader Interface)	FLN RS485	22 AWG	STP
MFI (Multi-Function Interface)	FLN RS485	22 AWG	STP
I/O Modules			
IPM (Input Module)	FLN RS485	22 AWG	STP
OPM (Output Module)	FLN RS485	22 AWG	STP
BIO (8 Input / 8 Output Module)	FLN RS485	22 AWG	STP
Misc. Devices			
IAT (Intrusion Arming Terminal)	FLN RS485	22 AWG	STP

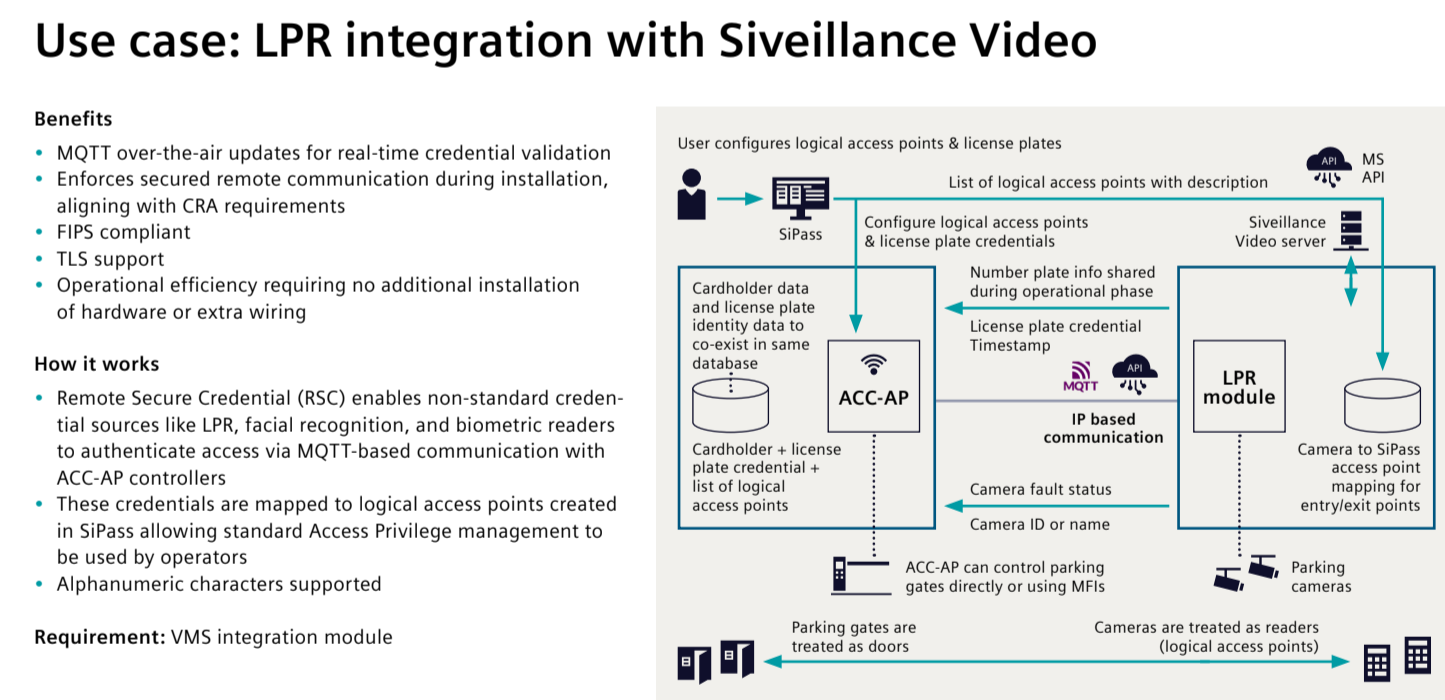
MFI expansion



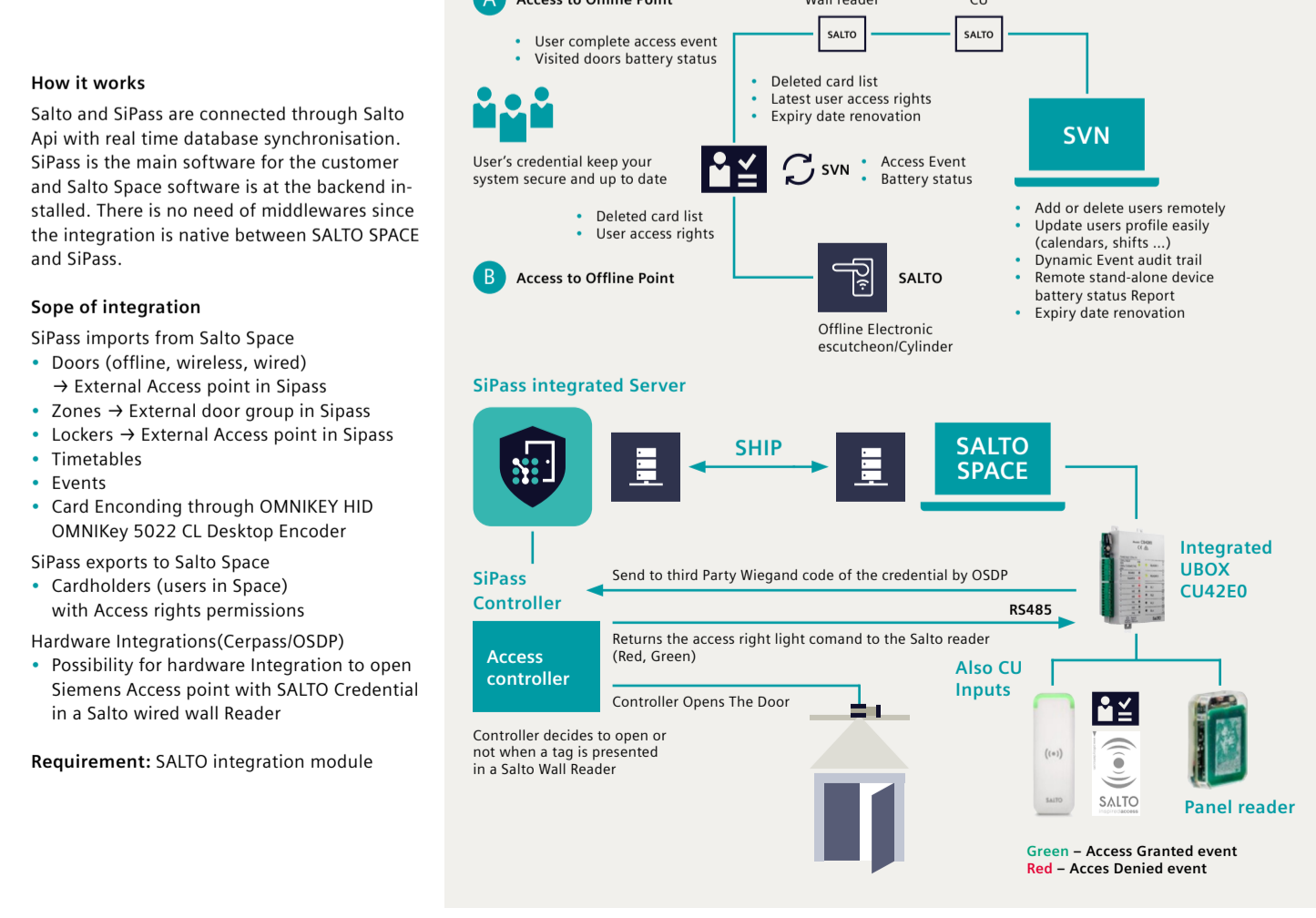
Aperio wireless integration



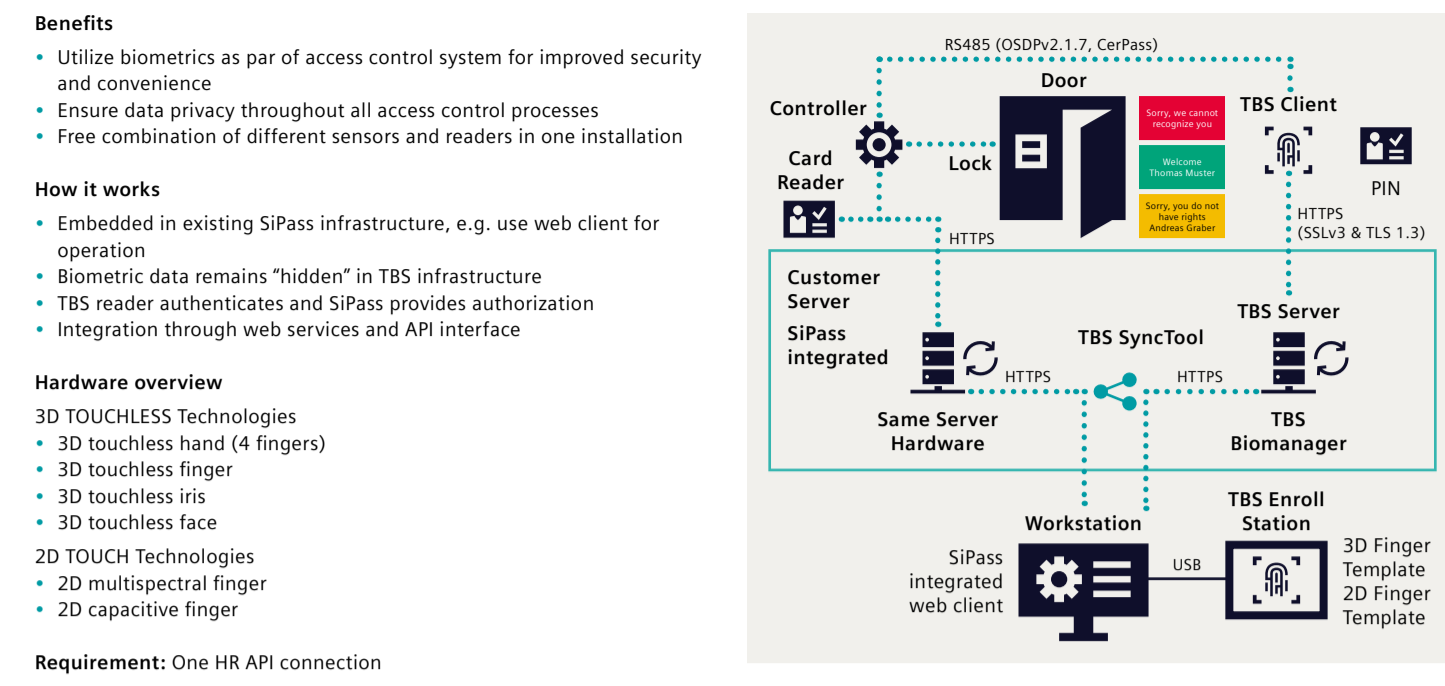
Remote Secure Credentials (RSC)



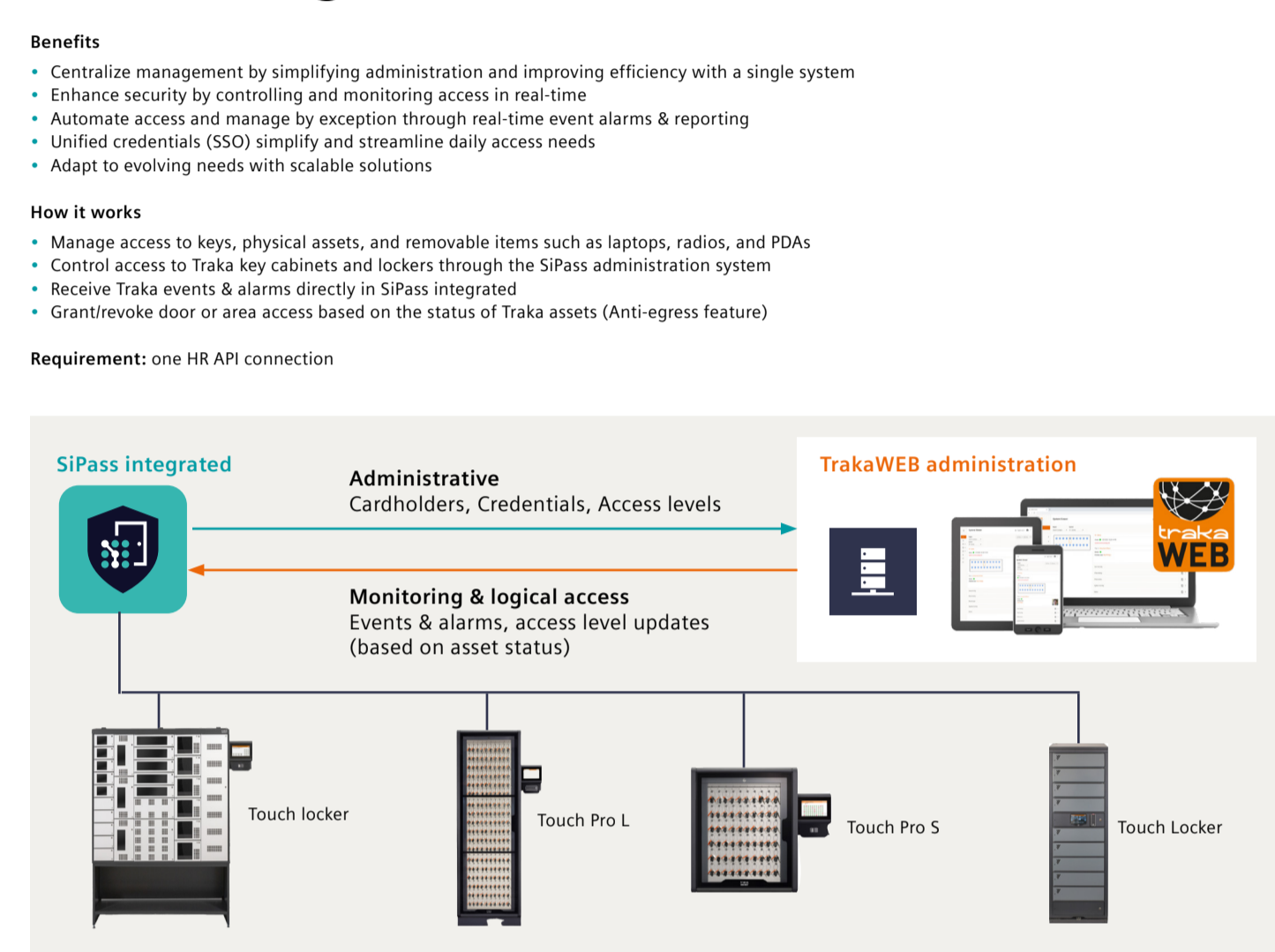
SALTO



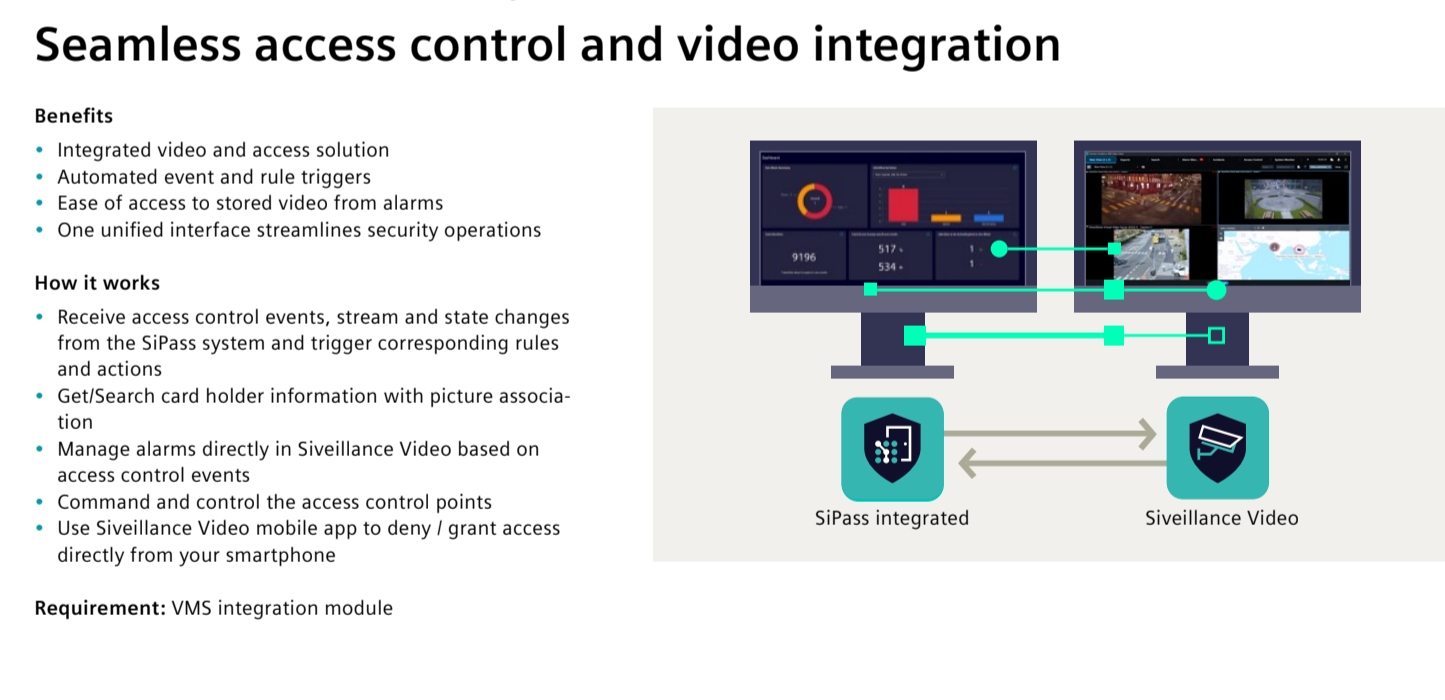
TBS integration



Traka integration



Unified security with Siveillance Video



Integration with Building X

