



SIEMENS SECURITY

SiPass integrated Access with trust. Operate with ease.

Planning tool
siemens.com/sipass

Your benefits from SiPass integrated



Simplify operational control

Automate access workflows
Simplify how access is granted, managed, and maintained – saving time and reducing complexity.
Features: Advanced alarm management, automated approval workflows, self-service portal, RESTful APIs, HR system integration, Message forwarding, Photo ID & image verification, cardholder management, advanced device firmware update, advanced security programming

Centralize multi-site control
Manage access rights across all locations from one secure, centralized platform.
Features: Multi-facility linking, Global access rights, Remote diagnostics, Centralized dashboards

Integrate building systems
Connect access control with video, intrusion, and building automation for seamless, unified operations.
Features: Management station application programming interface, Integration with Desigo CC, Siveillance Control, Siveillance Control Pro, Siveillance Video, Siveillance Intrusion/Perimeter, Elevator management, Traka key cabinets, Visitor management, OPC alarm and event interoperability



Maximize security & compliance

Protect digital & physical assets
Ensure every entry point and data stream is secured with industry-leading encryption and authentication.
Features: Cybersecurity in mind, Penetration test & vulnerabilities management, Secure Development Lifecycle, GDPR compliance, Latest security standards, Mutual Authentication through digital certificates, FIPS140-2

Harden access control
Use multi-factor authentication, biometrics, and interlocks to secure your most sensitive areas.
Features: Integration with 3rd party applications & vendors, Mifare card encoding, Anti-Passback And Roll Call, Partitioning of Operator Privileges, Escort control, Door interlocking, TBS integration, Salto integration

Ensure auditability
Track every access event and system change with full audit trails and real-time visibility.
Features: Interactive reporting, Comprehensive Audit Trail Logging, Time and attendance export, Guard tour



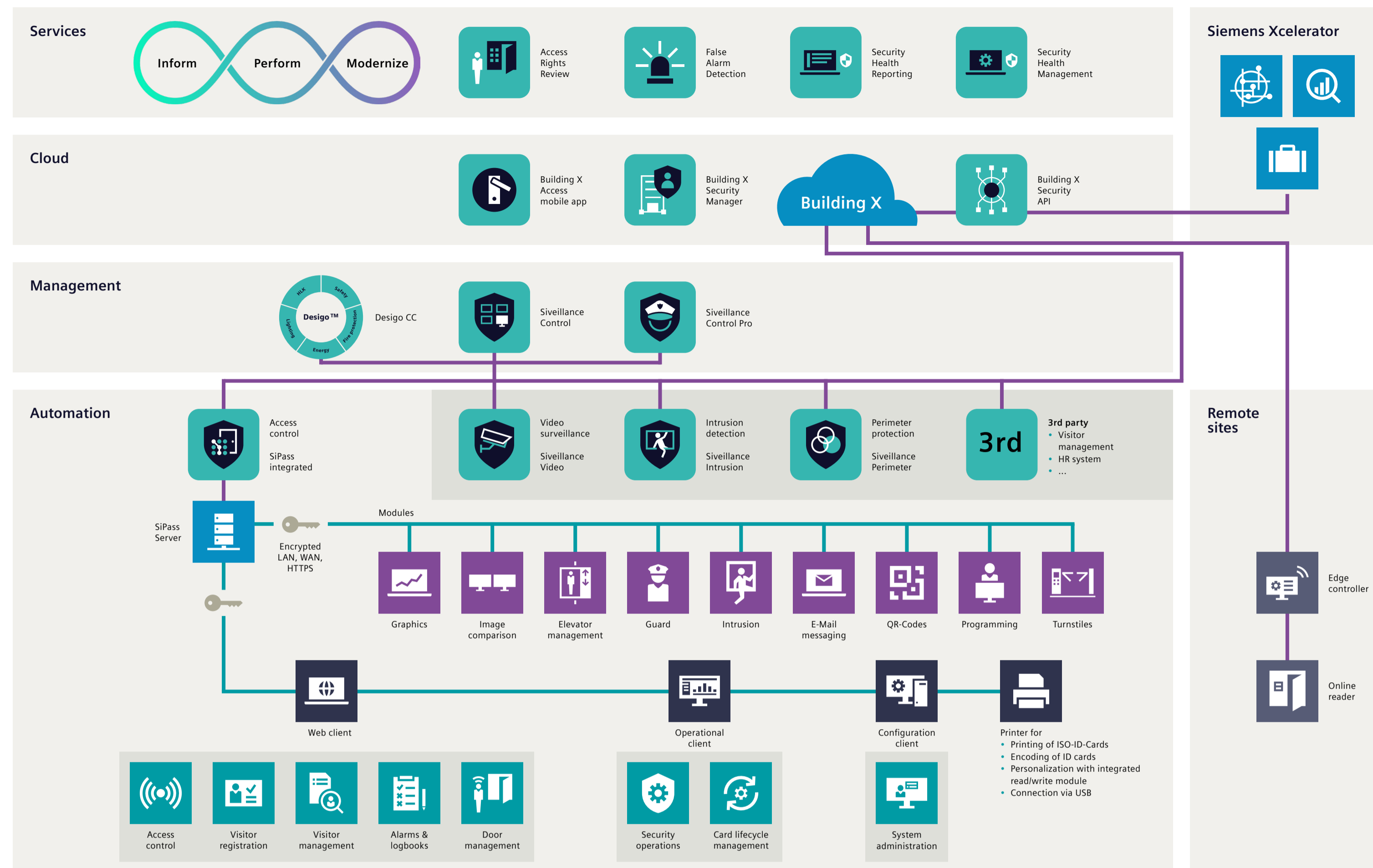
Future-proof your business

Scale with your business
Expand effortlessly with support for hundreds of thousands of users and doors – no rip-and replace needed.
Features: Flexible licensing models, License as a Subscription, Custom Wiegand

Embrace mobile and cloud
Access and manage your system anytime, anywhere – via smartphone and secure cloud connection.
Features: Graphics module, configuration client, operational client, web client, Integration of Building X Security Manager, Visitor Manager, Access mobile app, Security API

Maintain securely
Keep your security solution performance at its best throughout its lifecycle.
Features: Digital services, Software maintenance, ProductCERT vulnerability disclosure

SiPass integrated architecture



Client comparison

Functionality	Configuration Client	Operation Client	Web Client
Cardholder Management	✓ Full configuration	✓ Full management	✓ CRUD operations
Access Levels & Groups	✓ Create/Edit/Delete	✓ Assign & manage	✓ Create/Edit/Delete
Live Alarms Monitoring	–	✓ Full alarm handling incl. site plans	✓ Summary view and manual override
Manual Override (Access/Input/Output)	–	✓ Full override	✓ Limited override
Audit Trail Logs	✓ Configuration	✓ View, customise, export	✓ View only with export
Site Plans & Visual Monitoring	✓ Setup	✓ Interactive monitoring	–
Visitor Management	✓ Configuration	✓ Add/Issue/Return cards	–
Reports (Custom & Predefined)	✓ Setup	✓ Generate/export	– Filter with export
Biometric Integration	✓ Setup	✓ Operate & assign profiles	✓ Operate & assign profiles
Image Verification & Card Printing	✓ Setup	✓ Operate & batch print	–
Time & Attendance Configuration	✓ Setup	✓ Configure & assign	–
OSS-SO Offline Access Support	✓ Full support	✓ Full support	✓ Operational support
User & Operator Management	✓ Create/Edit/Delete	✓ Assign roles	– (View only)
Password Management	✓ Setup & enforce	✓ Change & enforce	✓ Change password
Certificate Renewal & Security	✓ Setup & renew	✓ Renew & monitor	✓ Notification only
Installation Requirements	Local or remote client	Local or remote client	Web browser
Licensing Impact	Requires workstation license	Requires workstation license	Requires web license

Notes:
 • The Configuration Client is ideal for system administrators and installers who need to set up and configure the system
 • The Operation Client is designed for daily operations, monitoring, and managing access and alarms
 • The Web Client offers lightweight, browser-based access operations and monitoring, but lacks certain features like visitor management and site plans. These will be made available in future versions

Estimating a project

SiPass integrated Design Questions:

- How Many Doors?
- How Many Card Readers?
- How Many Card Holders?
- How Many Workstations?
- What Type of Card Technology?
- Facility Code?
- How Many Facilities?
- How Many Web Clients?
- Select Main Features:
- Add-on Modules?
- 3rd Party Interfaces?

License as a Subscription licensing

	Core	Advanced	Pro
Included identities			
Identities	1,000	5,000	500,000
Included clients			
ASE5100-WS Workstation	1	100	100
ASE5300-WA Web Client Access	1	30	30
Included API connections			
ASE5300-HR HR interface API	–	20	20
ASE5300-MA SiPass Mangtm. Intf.	–	✓	✓
Included modules			
ASE5000 Mobile integration	✓	✓	✓
ASE5300-ME Mifare encoding	✓	✓	✓
ASE5300 Photo ID & image vc	✓	✓	✓
ASE5300-GP Graphics	–	✓	✓
ASE5300-VM Visitor management	–	✓	✓
ASE5300-MF Messaging	–	✓	✓
ASE5300-IN SiPass Int. Intrusion License	–	✓	✓
ASE5300-TR SiPass Time Export (text output)	–	✓	✓
ASE5300-DS Data Synchronizer Tool	–	✓	✓
ASE5300-LE Elevator control- Low Level	–	✓	✓
ASE5300-HL High Level Lift Int.	–	✓	✓
AAC-16-GMS GMS / VMS Integration	–	✓	✓
OSS-SO Offline Access & Salto Space	–	✓	✓
ASE5300-VA SiPass DVR API	–	✓	✓
ASE5300-GT Guard tour	–	✓	✓
OPC client	–	10	10
OPC server	–	10	10
Scaling options (additional doors)			
Core Online Door	✓	–	–
Core Offline Door	✓	–	–
Advanced Online Door	✓	–	–
Advanced Offline Door	✓	–	–
Pro Online Door	–	–	✓
Pro Offline Door	–	–	✓

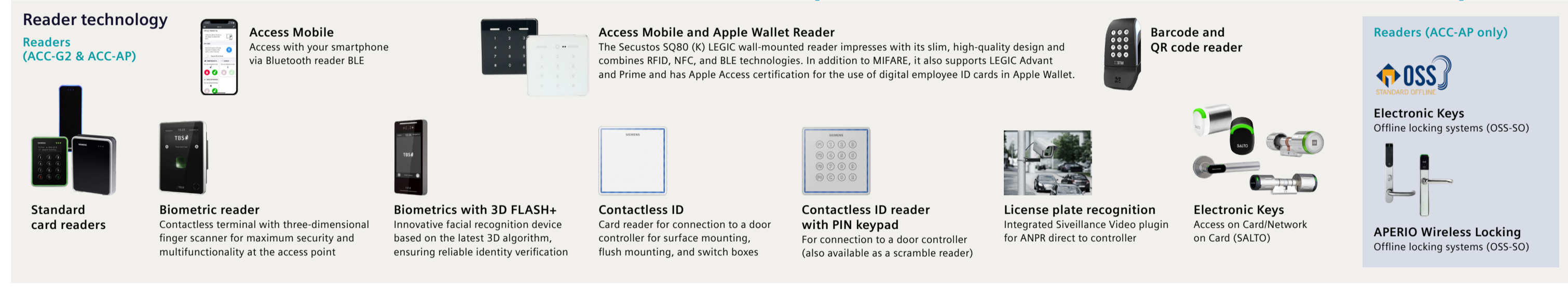
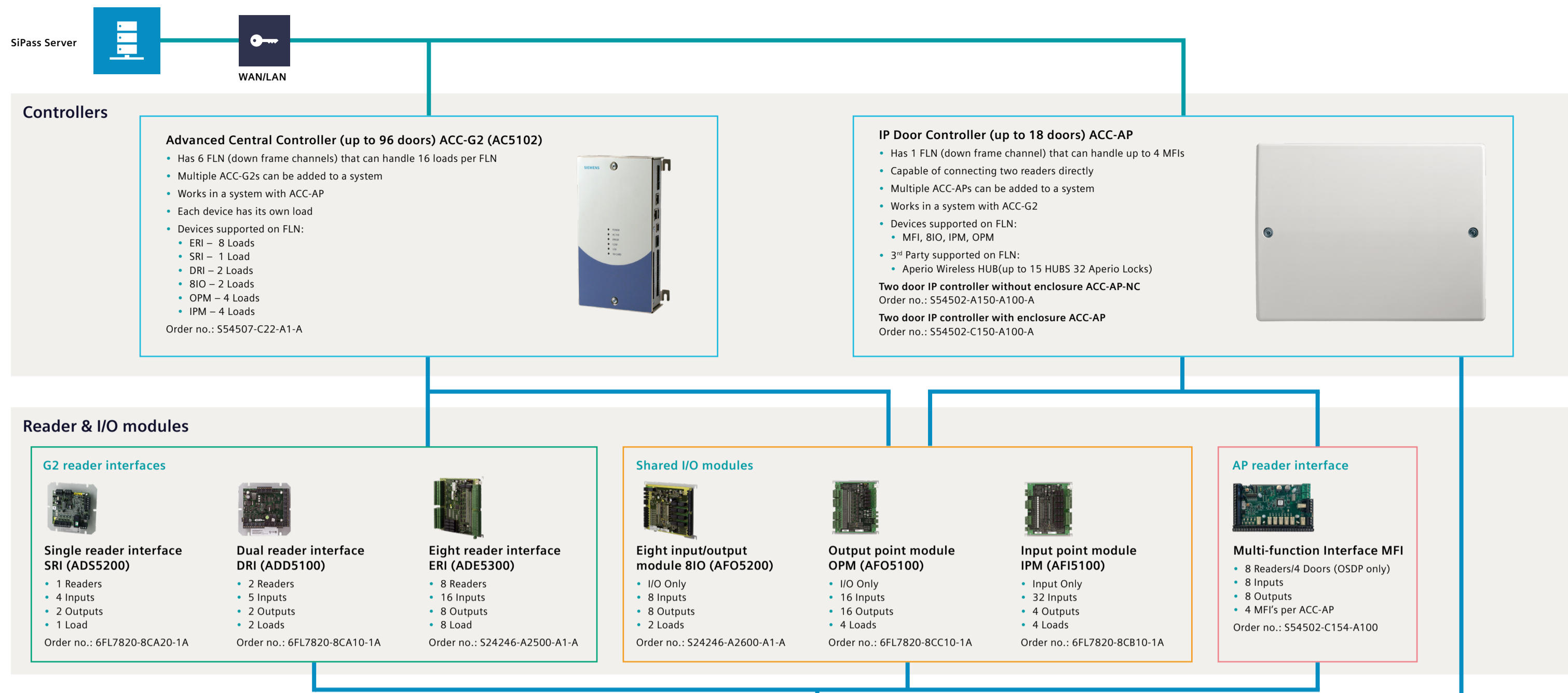
Manual licensing

	Standard	Connected	Facility	Optima	Corporate
1 year license	ASL5000-SE 6FL7820-9AA0-1L	ASL5000-CN P54511-P113-A1-L	ASL5000-FA 554511-1220-A1-L	ASL5000-GA 6FL7820-9AA0-1L	ASL5000-CO 554511-221-A1-L
Startup 2 months license	AAC-STARTUP-Standard P54511-P113-A1-L	AAC-STARTUP-COM P54511-P113-A5-L	AAC-STARTUP-FAC P54511-P113-A3-L	AAC-STARTUP-OPT P54511-P113-A2-L	AAC-STARTUP-CORP 54511-P113-AA-L
Identities/Cardholder	1,000	5,000	5,000	10,000	25,000
Doors	24	64	32	64	128
Clients	1	5	2	3	5
Web Client Access	1	2	1	1	1
HR Client	1	2	1	1	1
ASE5300-DS Data Synchronizer Tool	–	–	✓	–	✓
ASE5300-GP Graphics	–	–	✓	–	✓
ASE5300-ID photo ID & image vc	–	–	✓	–	✓
ASE5300-IN SiPass Int. Intrusion License	–	–	✓	–	✓
ASE5300-ME Mifare encoding	–	–	–	–	✓
ASE5300-VM Visitor management	–	–	–	–	✓
ASE5300-GT Guard tour	–	–	–	–	✓
ASE5300-HR HR interface API	1	2	1	1	1

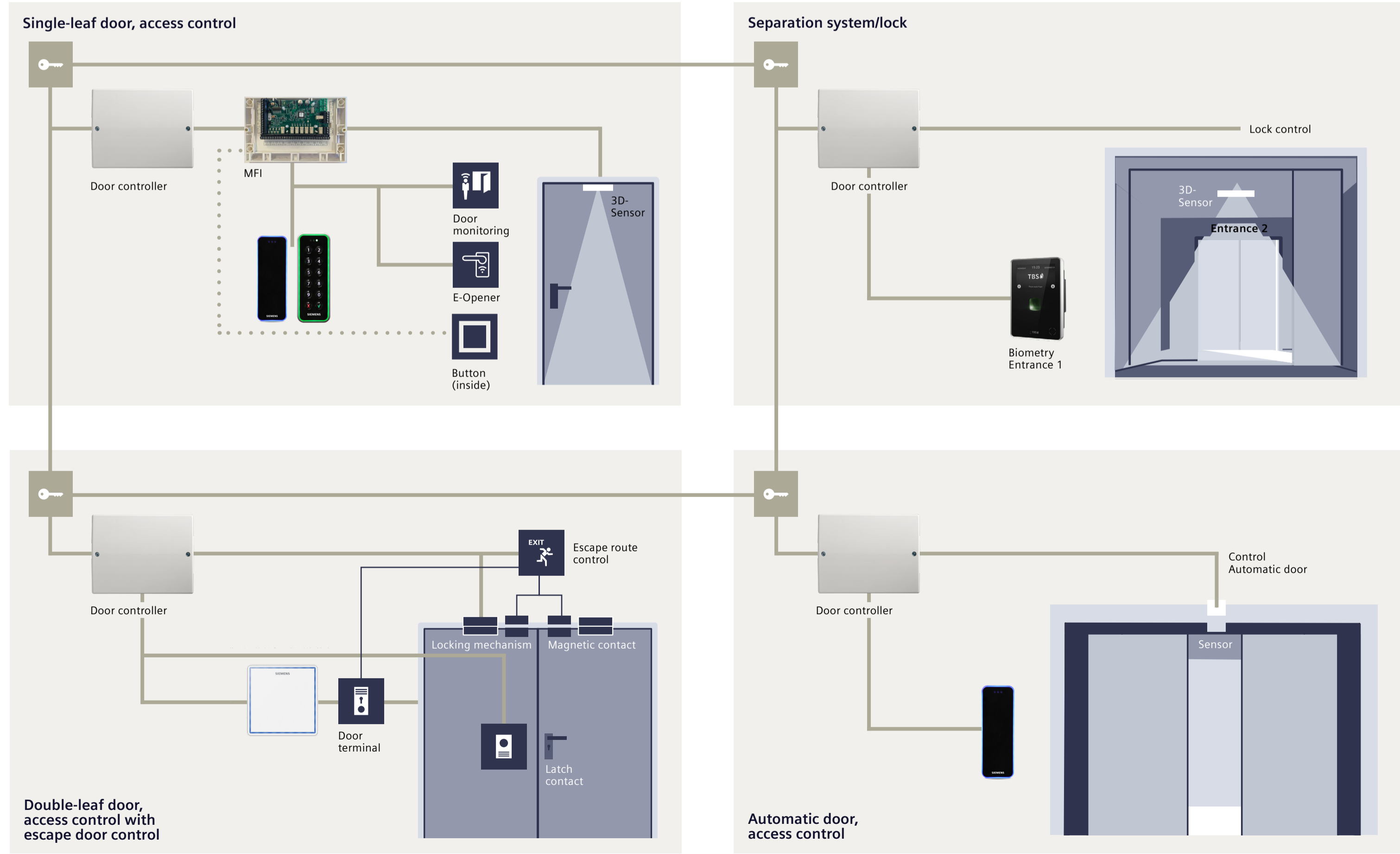
Add-ons

Description	Order number	Description	Order number
ASE5100-WS Workstation	6FL7820-8AE00-1L	AAC-16-GMS Integration • Plus 1 Web Client • Plus 1 Workstation • Any additional MS API connection require an additional ASE5100-WS Workstation	P54511-P101-A1-L
ASE5300-WA Web Client Access	554508-P102-A100-L	AAC-24-VMS Integration up to 24 Doors • Plus 2 Web Clients • Plus 1 Workstation • Any additional MS API connection require an additional ASE5100-WS Workstation	P54511-P102-A1-L
ASE5100-DD extension 8 doors	6FL7820-8AD20-1L	AAC-256-VMS Integration up to 256 doors • Plus 5 Web Clients • Plus 1 Workstation • Any additional MS API connection require an additional ASE5100-WS Workstation	P54511-P104-A1-L
ASE5100-DE extension 32 Doors	554511-P22-A1-L	AAC-1024-VMS Integration over 256 doors • Plus 5 Web Clients • Plus 1 Workstation • Any additional MS API connection require an additional ASE5100-WS Workstation	P54511-P100-A1-L
ASE5100-BA 1000 card extension	6FL7820-8AD10-1L	SiPass OSS-SO Offline Access (2.85 feature) • ASE5300-ME SiPass Mifare encoding • 24 Offline doors	P54511-P112-A1-L
ASE5100-BB 10 000 Card Extension	554511-P22-A2-L	ASE5300-MA SiPass Mangtm. Intf. • Includes 1 additional Workstation • Any additional MS API connection require an additional ASE5100-WS Workstation	P24246-P2803-A1-L
AAC-100-OC 100 Offline door expansion	P54511-P106-A1-L	ASE5300-IB SiPass iBase access	P24246-P2807-A1-L
ASE5100-OC License 0 Offline Components	P54511-P12-A1-L	ASE5300-HR HR interface API • Concurrent license max. 20	554508-P104-A100-L
ASE5300-ME Mifare encoding	6FL7820-8AE20-1L	ASE5300-VA SiPass DVR API • SiPass as front end	P24246-P2804-A1-L
ASE5300-ID Photo ID & image vc	6FL7820-8AE02-1L	ASL5000-EN SiPass Engineering License • LMS Micro Dongle based license • 12 month validity • Dongle have to be order separately • Order number: 555802-Y185	P54511-P110-A1-L
ASE5300-GP Graphics	6FL7820-8AE17-1L	ASL5000-DA SiPass Development License • 3 month validity • All LMS activation methods are supported	P54511-P114-A1-L
ASE5300-VM Visitor management	6FL7820-8AE05-1L		
ASE5300-MF Messaging	6FL7820-8AE03-1L		
ASE5300-IN SiPass Int. Intrusion License	P24246-P2801-A1-L		
ASE5300-TR SiPass Time Export (text output)	6FL7820-8AE22-1L		
ASE5300-DS Data Synchronizer Tool	6FL7820-8AE14-1L		
ASE5300-LE Elevator control - Low Level, output based	6FL7820-8AE06-1L		
ASE5300-HL High Level Lift Int	6FL7820-8AE07-1L		
ASE5000-MO Mobile integration	P54594-P412-A100-L		
ASE5300-GT Guard tour	6FL7820-8AE25-1L		
ASE300-CC Corporate Card	6FL7820-8AE23-1L		
OPC client	6FL7820-8AE13-1L		
OPC server	6FL7820-8AE12-1L		

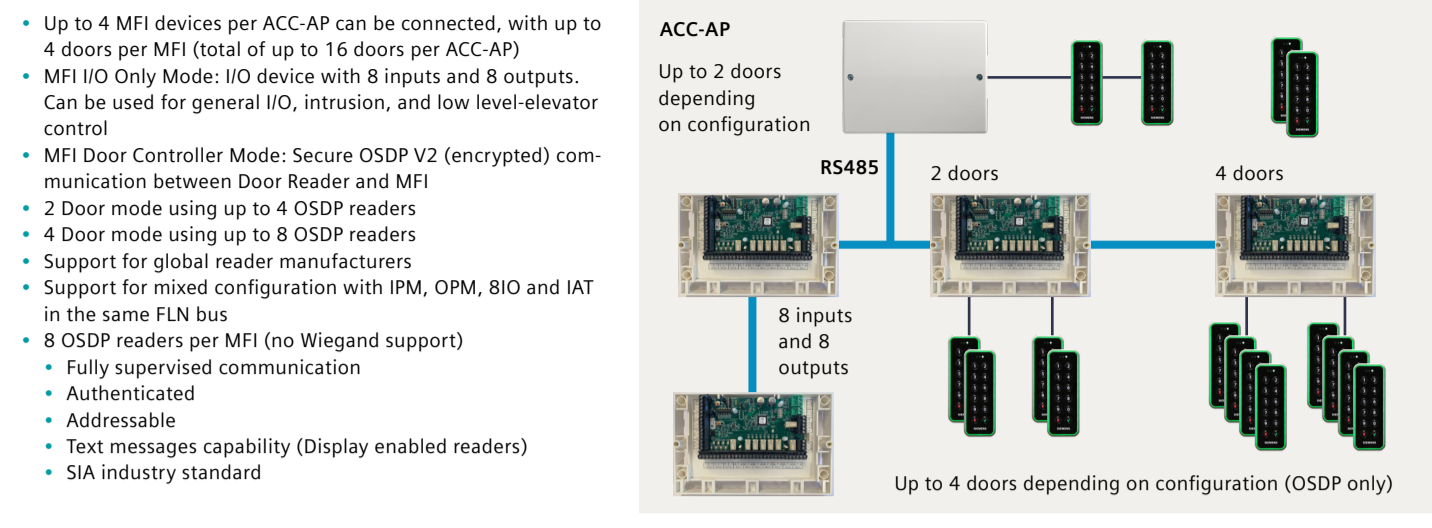
Hardware architecture



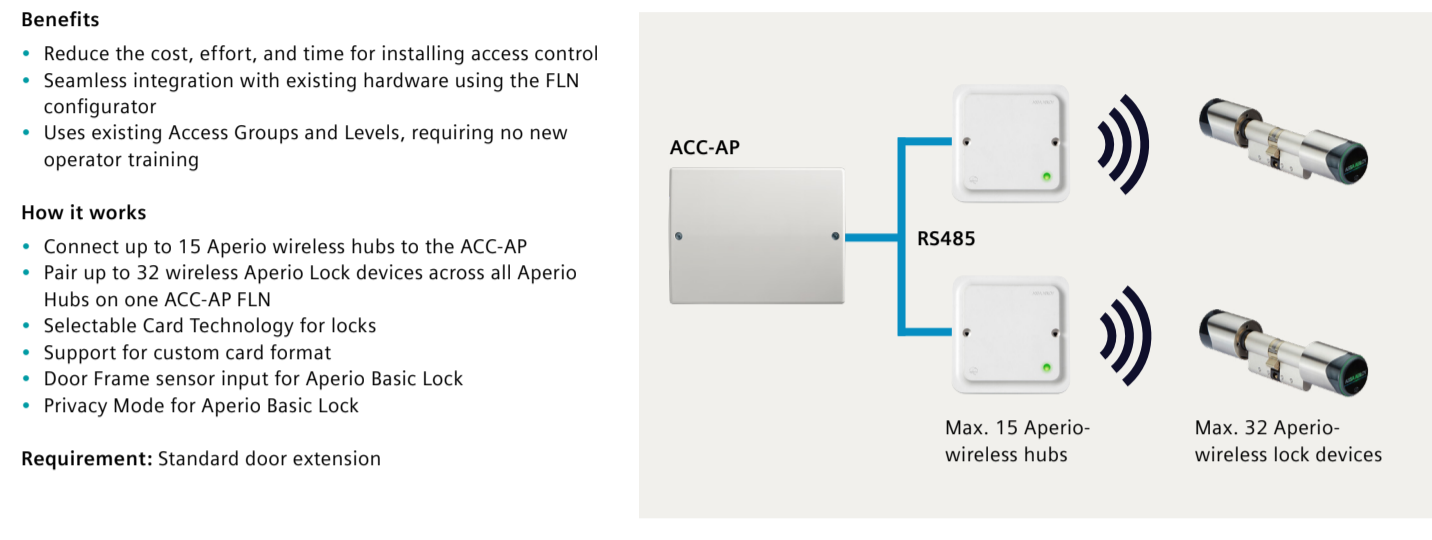
Installation examples



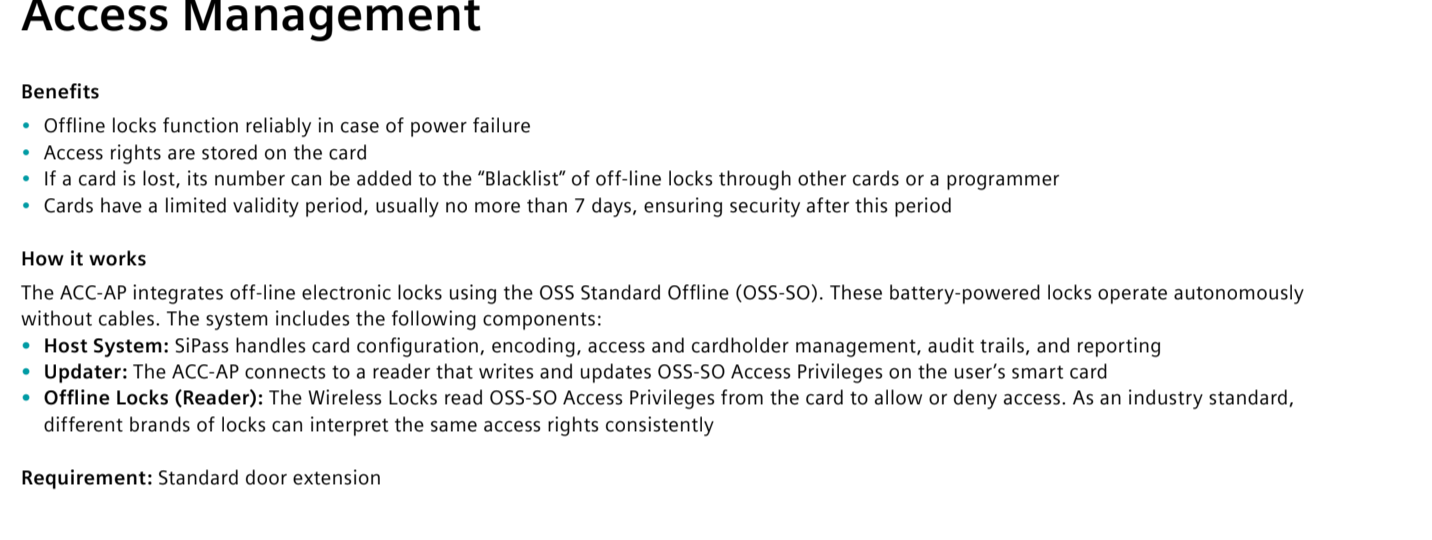
MFI expansion



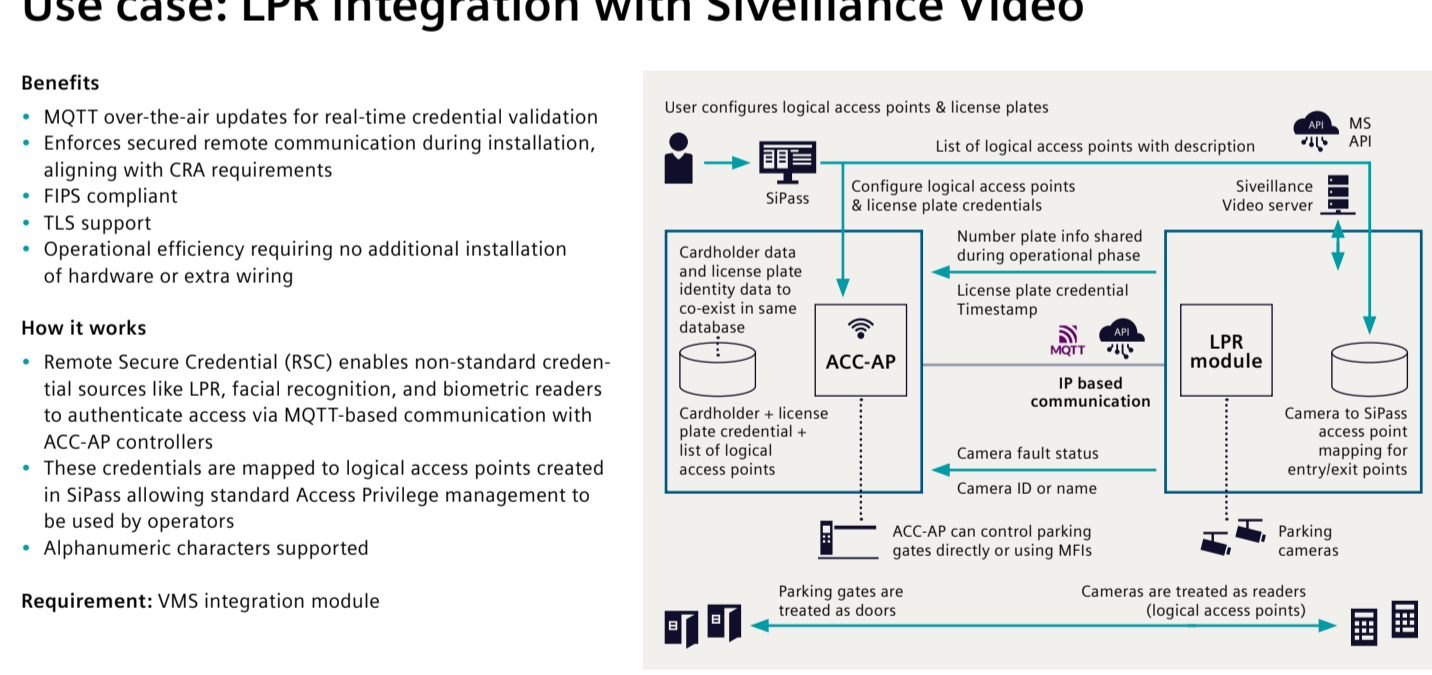
Aperio wireless integration



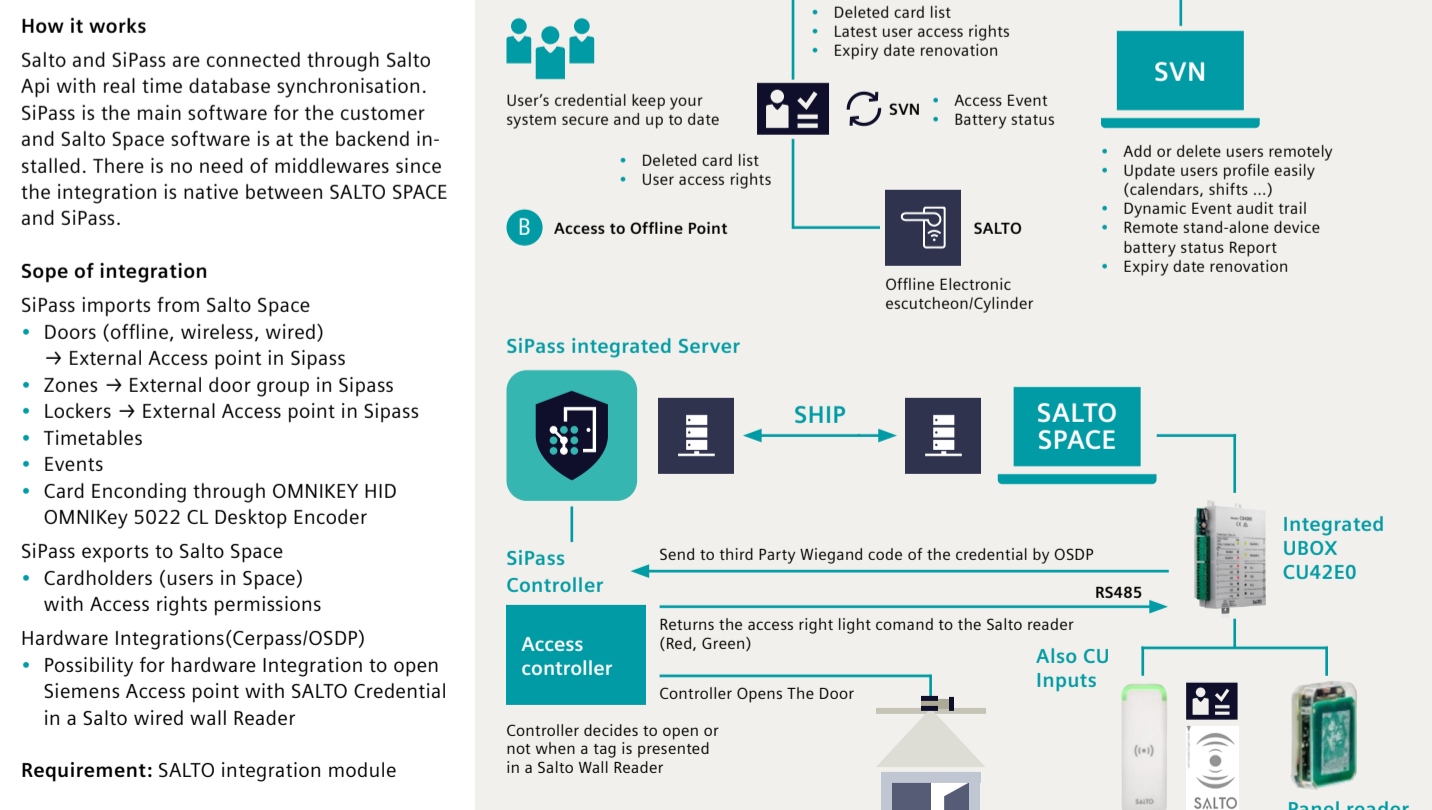
Standard Offline (OSS-SO) Access Management



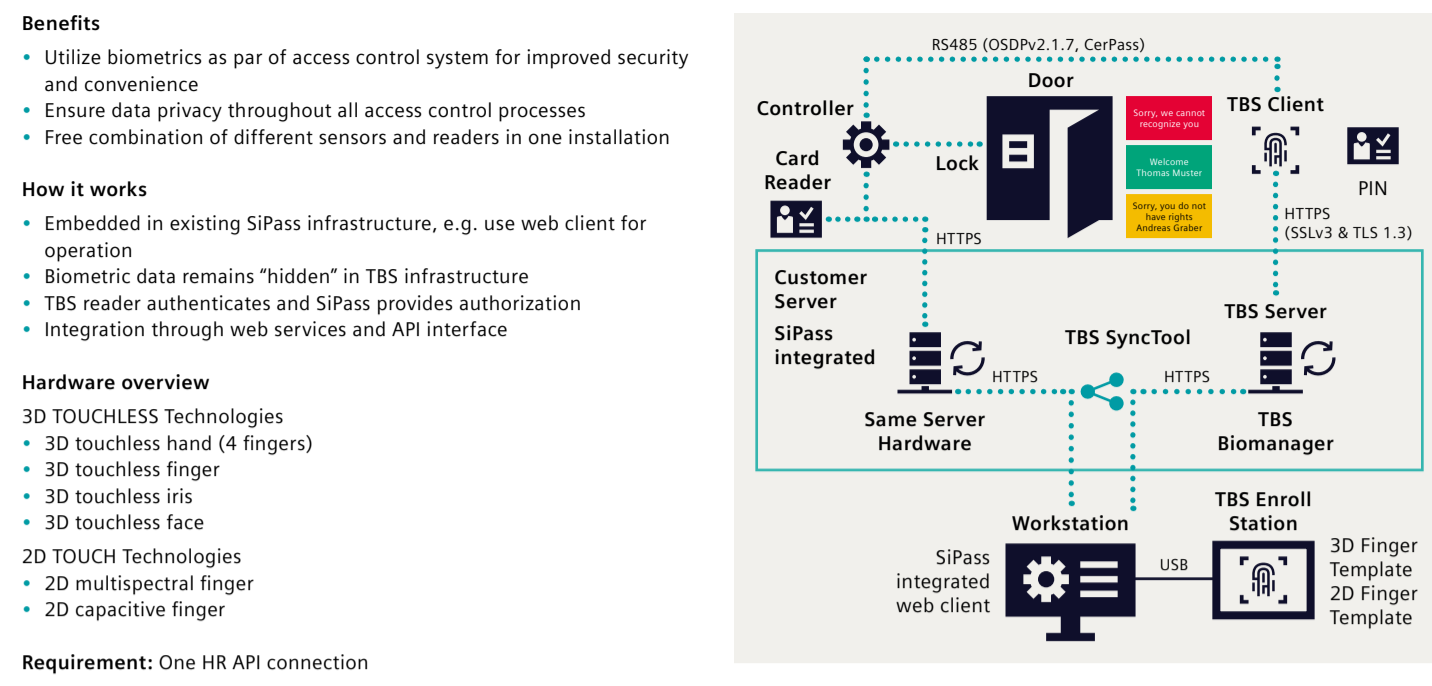
Remote Secure Credentials (RSC) Use case: LPR integration with Siveillance Video



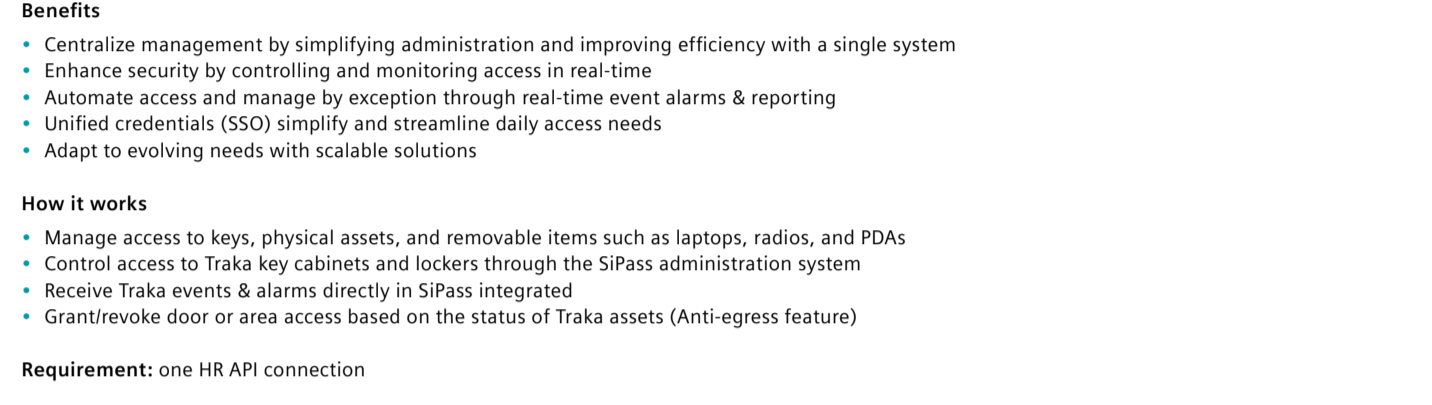
SALTO



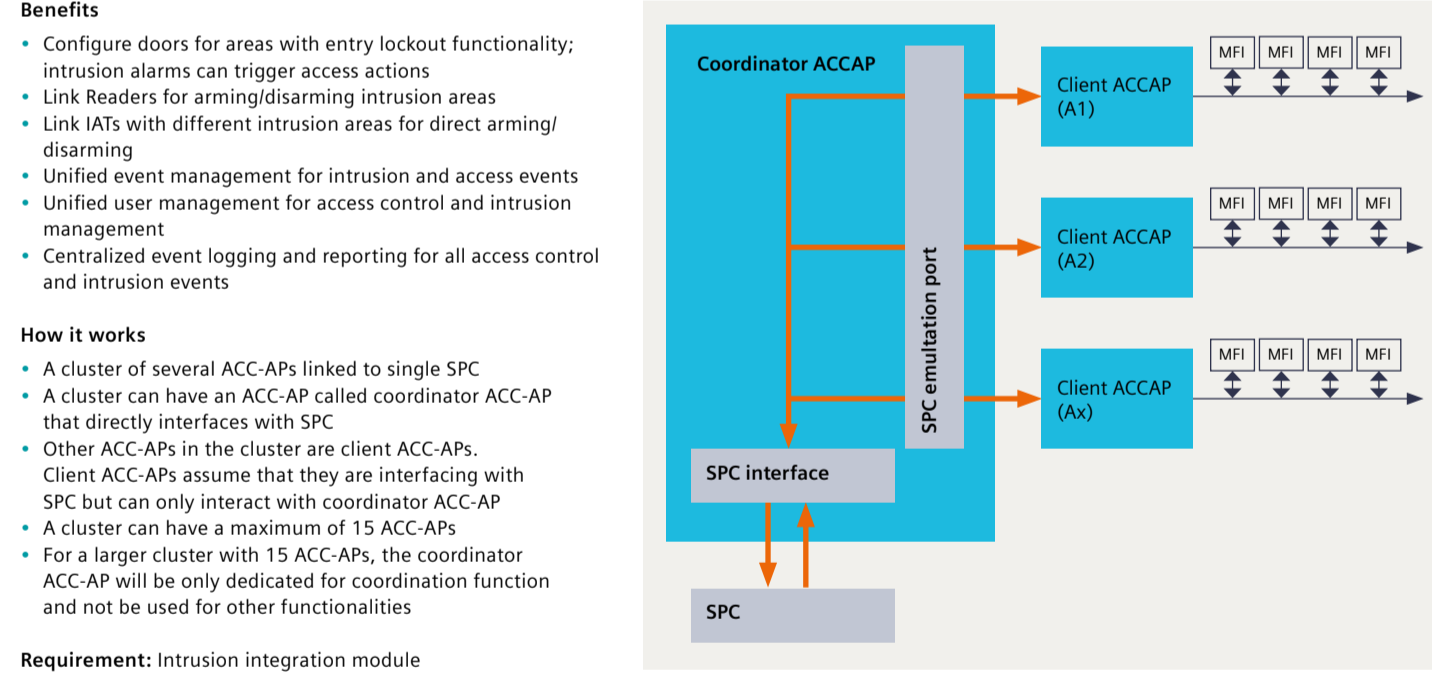
TBS integration



Traka integration



SPC integration



Integration with Building X

