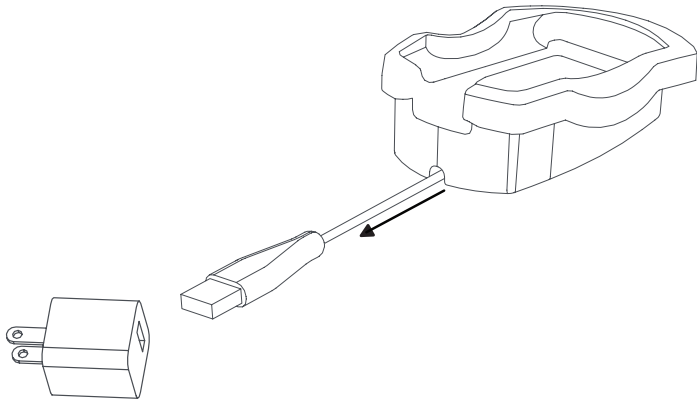


Step 1

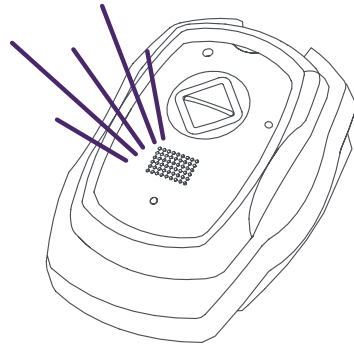
Connect the cord to power using a USB port or standard wall outlet using the plug adapter.

Place the device in the charger. You will hear an audio message once it is ready for use.



Step 2

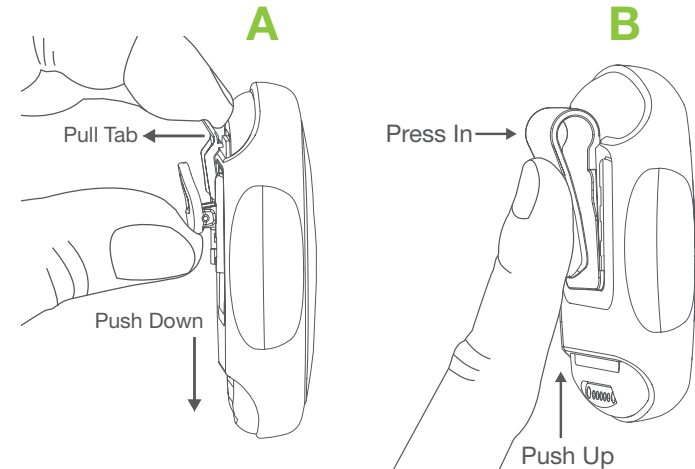
Test the service by **pressing** and **holding** the diamond-shaped call button for **2 seconds**, then releasing. You will then hear voice prompts advising that a call is being placed to an operator. When the operator answers, identify yourself and advise this is your set up test call.



Step 3 (optional)

Wear using the lanyard or swap out for the provided belt clip.

- Remove the lanyard by pulling on the tab and pushing down.
- Install the belt clip by pressing the clip in and up to secure.



Step 4

Place the device in the cradle and charge for at least **4 hours** for first use.



For support, visit
telus.com/LWC or call
1-888-505-8008



LivingWell Companion™ Go
Set Up Guide

 **TELUS** Health