



# Trimble Earthworks grade control platform for soil compactors

# Control your compaction

Get rolling with Trimble.

Ask for the next generation of machine control. From the company that invented machine control.

The **Trimble® Earthworks grade control platform for soil compactors** helps operators of all levels roll a more efficient pattern to reach target passes and density faster. Our innovative platform features state-of-the-art software and hardware which enables you to easily view compaction progress, pass counts and compacted soil stiffness.

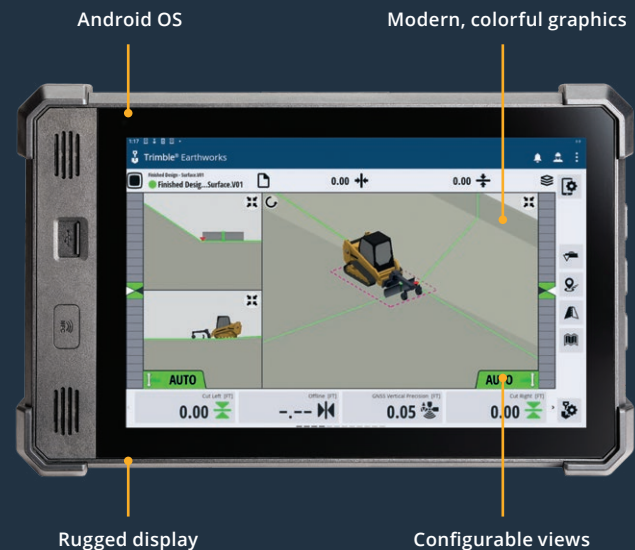
Also available as a subscription with flexible terms to modernize your equipment with no large upfront cost.



# Intuitive software, rugged hardware

Trimble Earthworks software runs on the Android™ operating system with either the 10-inch (25.4 cm) Trimble TD540 display or the 7-inch (17.8 cm) Trimble TD510 display. Colorful graphics, natural interactions and gestures, and self-discovery features make Trimble Earthworks intuitive and easy to learn. Each operator can personalize the interface to match their workflow and a variety of configurable views make it easier to see the right perspective for maximum productivity.

To ensure everyone is operating from the latest design, transfer data files to or from the office wirelessly and automatically using Trimble WorksManager software, a mobile-friendly application that easily manages data and technology assets across project sites.



Trimble Earthworks also supports 4-drum landfill compactors. The Landfill Compaction Algorithm (LCA) gives operators the ability to configure multiple compaction parameters. It helps avoid unnecessary passes that waste time and fuel, and alleviates thick layer material placement that leads to insufficient compaction. LCA allows contractors to customize the system to the characteristics of the site, allowing users to define their own best practices for a more efficient landfill operation.





## Intelligent compaction

Accurately control the compaction process, while reducing unnecessary passes that result in over The Trimble Earthworks system achieves compaction target faster, more accurately and with less rework.

- Compact surface material to the desired compaction stiffness target and monitor site volumes simultaneously, in real time
- Soil and sub-surface material compaction measurement for single smooth drum and pad foot rollers
- Achieve increased durability, stability and load-bearing capacity

## Actionable data

Supervisors and quality managers can maximize jobsite efficiency by monitoring compaction activities in real-time, and operators can immediately identify the areas that require further compaction using Trimble WorksOS software and Trimble Earthworks.

- Collect and document comprehensive, real-time compaction data
- Analyze data and generate detailed reports to meet project specifications, including comparisons of previously completed work versus work completed that day
- Continuously monitor pass counts and compaction measurement values (CMV) over the entire area
- Improve testing success, reduce rework and lower ongoing maintenance costs
- Reduce over-compaction to optimize fuel use and machine time

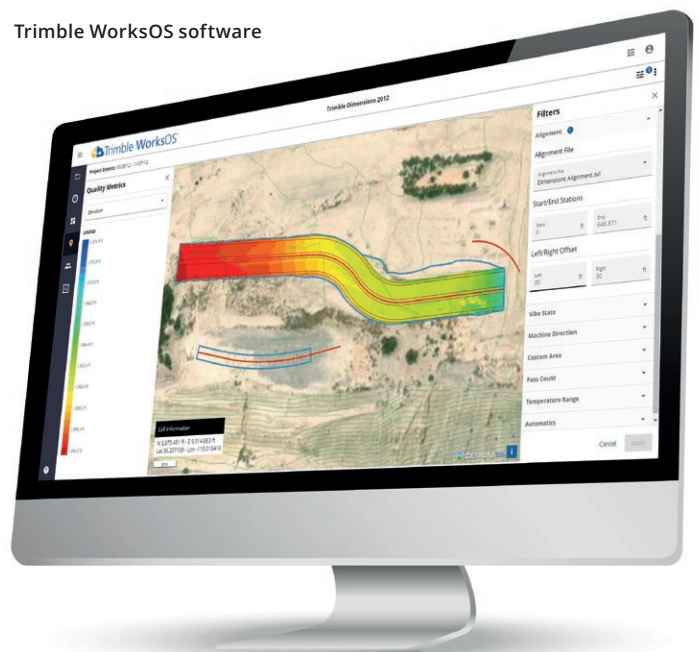


## Focus on grade

The horizontal steering control functionality feature is compatible with all soil compactors. It automatically controls the machine to follow any horizontal alignment such as a back of a curb, breakline, roadway centerline or bottom of slope, without operator assistance. Operators can also manually set up offsets from selected alignments that the machine can follow.

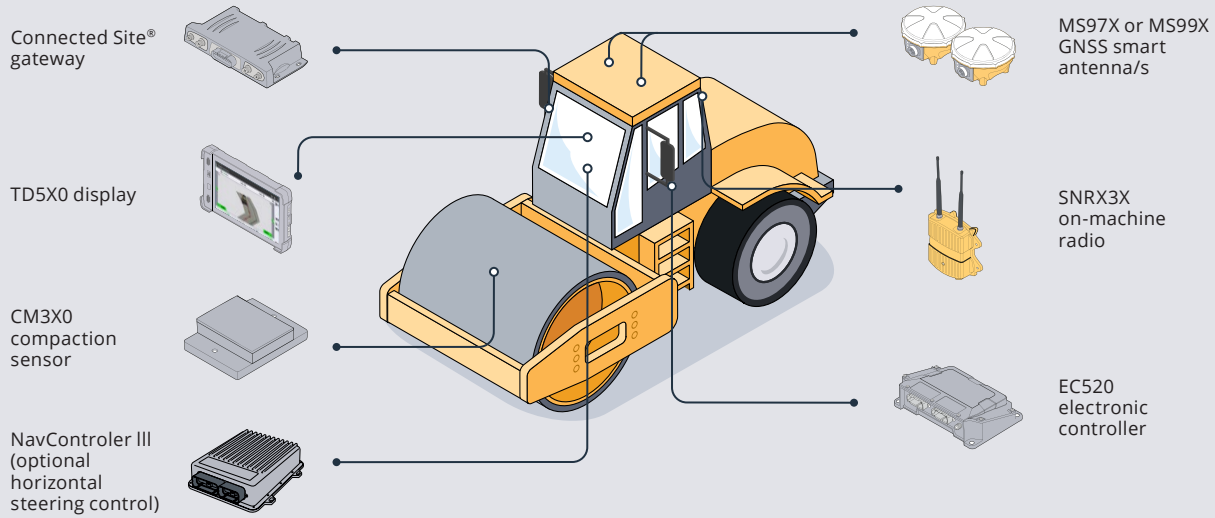
Focus on the grade, machine productivity and safety rather than worrying about steering – reducing operator fatigue and errors. Horizontal steering control functionality enables the machine to follow the horizontal guidance from the 3D model, providing operators increased awareness of their surroundings, better accuracy and improved productivity with decreased overlap and fewer passes.

Trimble WorksOS software

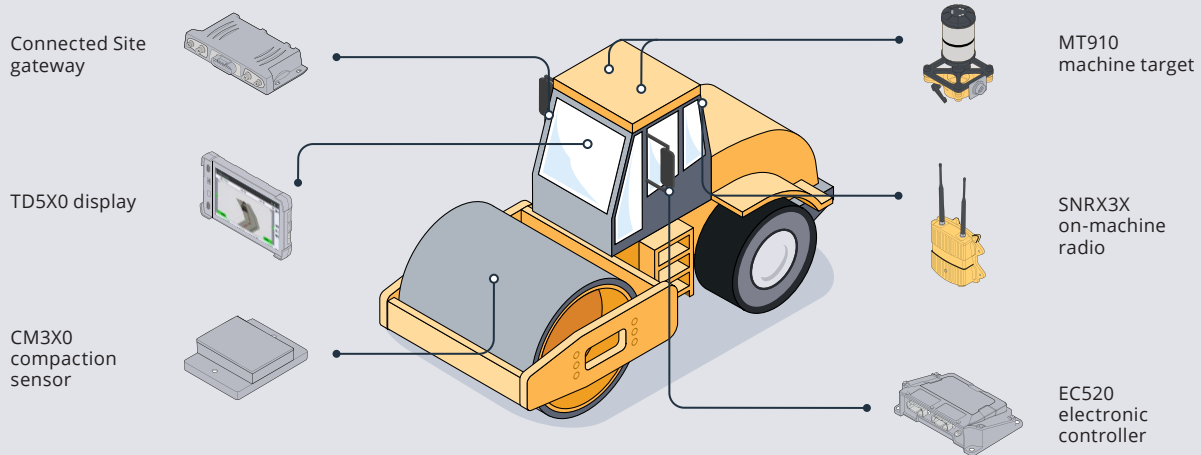


# Trimble Earthworks: soil compactor configurations

## Dual/Single GNSS systems



## Universal total station system



[civilconstruction.trimble.com](http://civilconstruction.trimble.com)

### Trimble Civil Construction

10368 Westmoor Drive  
Westminster, CO 80021  
USA

