

MONIER

Plana Imported Clay Tile



The innovative,
contemporary roof tile



Grey

Part of

BMI

www.bmigroup.com/in

PLANA

IMPORTED CLAY ROOF TILES

MONIER

Features

- Weatherproof and perfect finish
- Deep interlock for water tightness
- Contemporary design
- State-of-the-art manufacturing technology



Technical Data

Width & Height	283 mm x 454 mm
Weight	~ 4.0 to 4.5 kg
Batten space	320 to 375 mm
Tile / sqm	11 pcs
Min slope Reqmt	20 Degree

Standard Colours



Grey



Brown

Accessories



Ridge



Hip Starter



Universal Verge



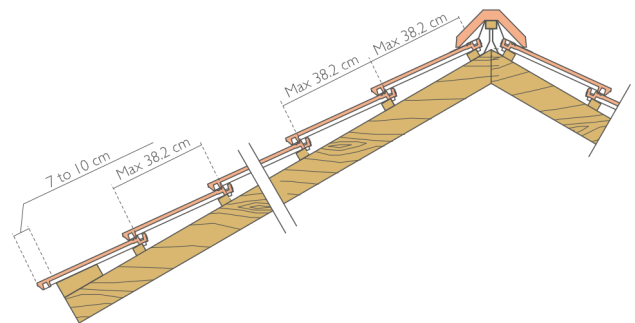
Ridge End



3 Way



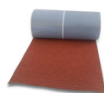
Ventilation Tile



Roof System Components for perfect finish, water-tightness and heat reflection



Compact Roll to ventilate ridges and hips



Easyflash for waterproof abutments



Valley Metal Sheet for water orienteering



Veltisun RadenShield for waterproofing and heat reduction



Radiant Barrier for heat reduction

Visit our exclusive showroom and orientation center,
 Monier Roofing Pvt Ltd.
 143/C3, Bommasandra industrial area, 1st phase, Bangalore - 560099
 Mob: +91 90191 10303
 Email : contact.india@bmggroup.com, www.bmggroup.com/in



Authorized Roofing Partner

- facebook.com/bmggroup.india
- https://www.instagram.com/bmi_india/
- Chat @ 90191 10303