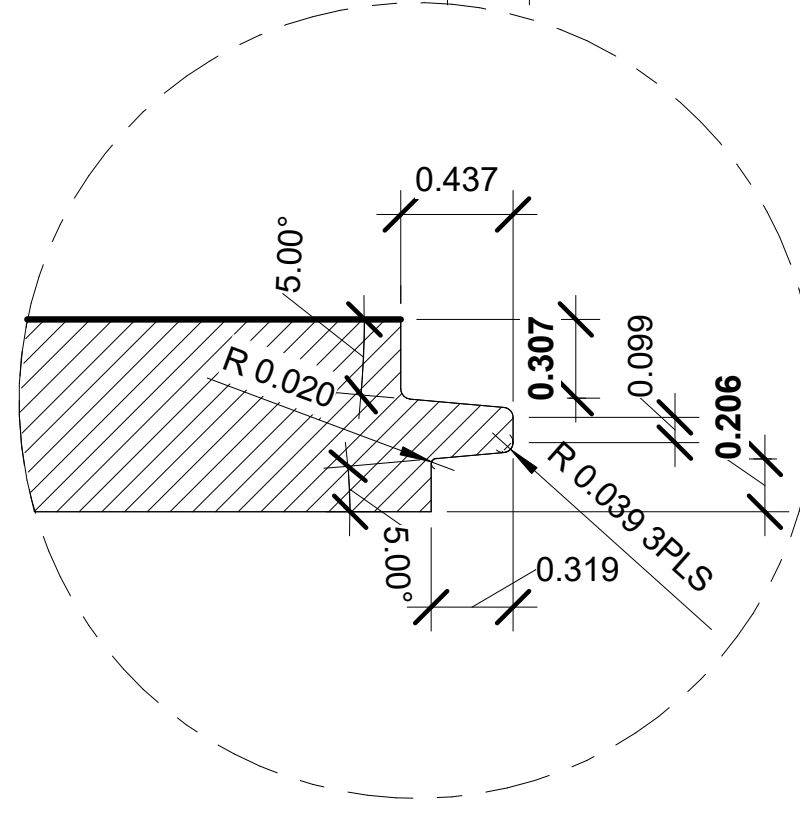


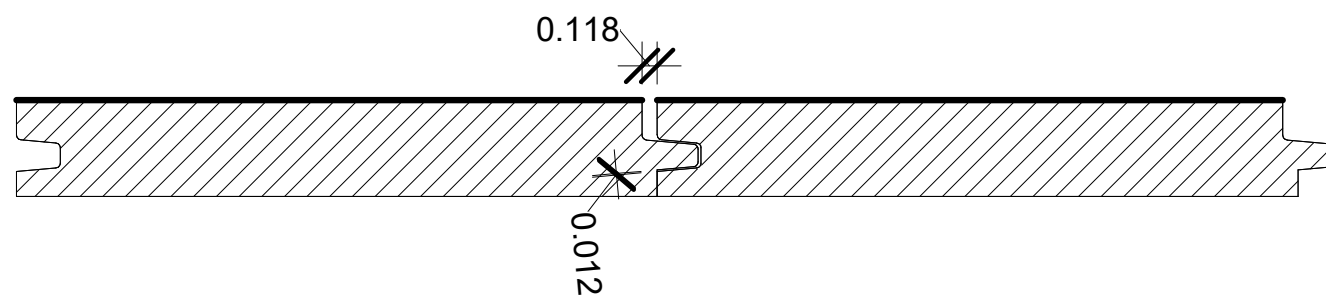
DETAIL A

Dimensions .306 & .194 are to a sharp corner not to required radius



DETAIL B

Dimensions .307 & .206 are to a sharp corner not to required radius



4/4 Siding (0.75"x5")  
Ash Tongue & Groove

SKU  
**AW-TG-ASH-4**

Scale	1:1
Format	A4
Date	08/04/23