

**TEK
S
SUR**



MF Tape System for Blind Fastening

INSTALLATION GUIDE

Please call us if you have any questions: 1-800-883-7005

Tekstur Installation – MFTape System for Blind Fastening

5/16” & 8mm Panel Thicknesses

MFTAPE BRACKET

- Price: \$7 - \$10 LFT
- 6’ & 12’ Lengths
- Mount To Back of 5/16” or 8MM Panel

We recommend the Monarch-Z MFTape system for our 5/16” or 8mm thick Tekstur panels. The MFTape-Z mounts to the back of the panel with using the 3M’s, VHB Architectural Panel tape. This is an industrial strength tape that is strong enough to replace fasteners (welds, rivets, screws) or liquid adhesives. The tape comes pre-installed on the back of the Z-clip. We recommend running the MFTape Z-Clip across the entire width of the panel with no more than 24” of space between each clip, with your top & bottom clip spaced in from the edge.

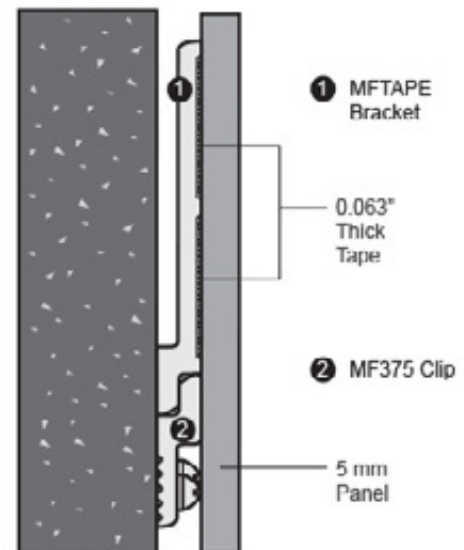
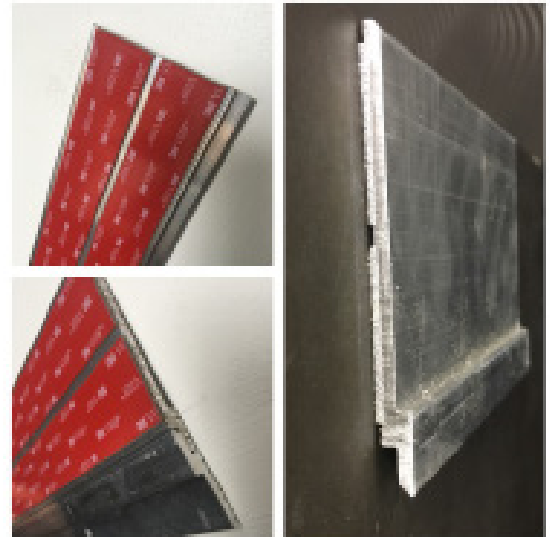
You will need to clean the back of the panel where you apply the MFTape Z-clip with 3M Primer 94. (see link below). This is basically a 50/50 mixture of isopropyl alcohol and water. Apply the primer to the area where you will mount the Z-clip. The primer acts as a cleaning agent and prepares your surface for the tape adhesive. Doing this will increase the bonding strength of the tape tenfold. Peel and stick the MFTape -Z to the area within 5 minutes of wiping the primer. Finish the application by applying pressure to the back of a Z-clip using a J-Roller or other pressure transferring tool.

Link to Monarch Metal:

<http://www.monarchmetal.com/products/phenolic-glass-glazing-panel-hanging-system/>

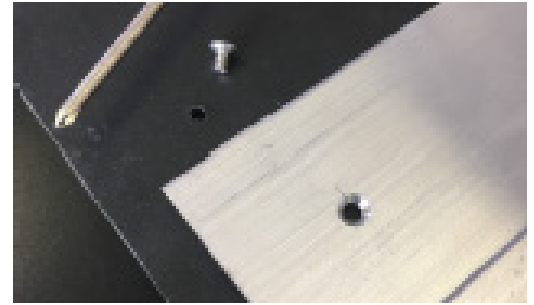
Link to 3M Primer 94:

<https://www.amazon.com/3M-Primer-Pint-Wrapping-Application/dp/B0088P1LNY/>

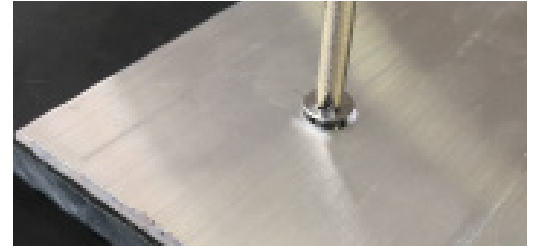


ADDING A MECHANICAL FASTENER TO MFTAPE BRACKET:

It is possible to add a mechanical fastener through the MFTAPE Z-Clip if desired. With our 5/16" or 8mm thick panels, pilot and countersink a 11/64" hole through the Z-clip into the back of the panel and use a 10-32 x 5/16" flat head screw to fasten the Z-Clip to the panel. Hand tighten the screws with a screw driver.



Because the tight tolerances associated with drilling into a thin panel, we suggest using a Drill Stop Collar to prevent drilling through to the front face of the panel.

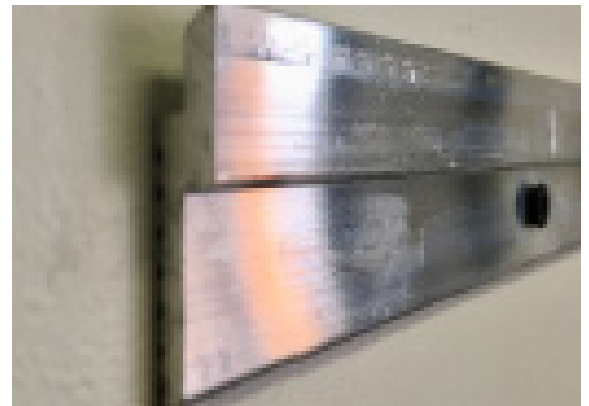


See link below to the screws you can use from McMaster Carr: <https://www.mcmaster.com/#ms-51960-62-machine-screws/>

MF375 RAIL

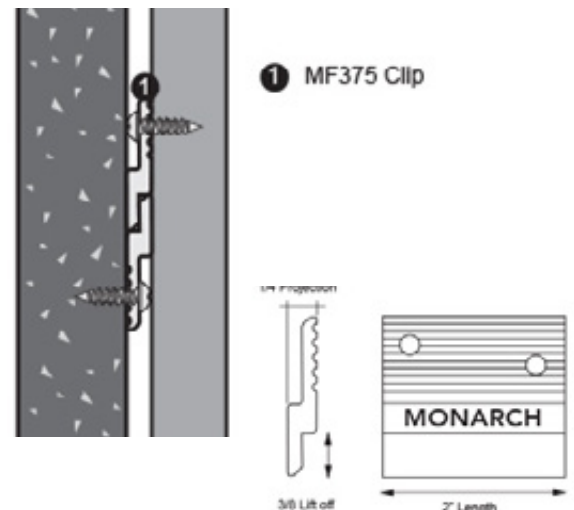
- Price: \$1.50 - \$2.50 per LFT
- 6' & 12' Lengths
- Mount Rails To Wall

Install the MF375 rails to the wall using the appropriate mechanical fastener. Clips should be mounted into to a structural component of the wall ie, studs or structural wood or plywood sub-wall every 18"-24".



**Do not mount the rails to drywall. Rails must be mechanically fastened through the drywall to a structural substrate or stud to prevent the clips from pulling off the wall.*

The success of your installation with regards to alignment and fit & finish relies heavily on the preparation of the sub-wall and/or installation of the MF375 wall mounted clip. If these clips are not plumb and level any difference in tolerance may translate to the installed panel surface. Take care to prepare your sub-wall, shimming or fur out where necessary to insure your clips are consistent, plumb and level to each other.

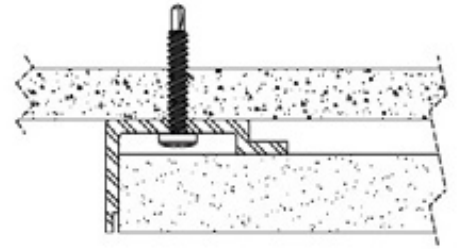


TRIM & EDGE DETAILS

- Price: \$8 - \$10 per LFT
- 6' & 12' Lengths

If you need an outside trim detail, you can use Monarch's EPS-H039-N aluminum trim component. These will work on both vertical and horizontal edges. Visit the link below for installation Instructions and specifications.

<http://www.monarchmetal.com/wp-content/uploads/Monarch-Easy-Panel-System-Instructions.pdf>



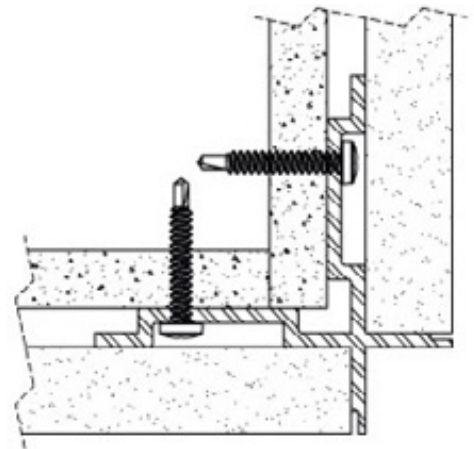
Edge Trim
EPS-H039-N (PDF/DWG)

INSIDE/OUTSIDE CORNERS

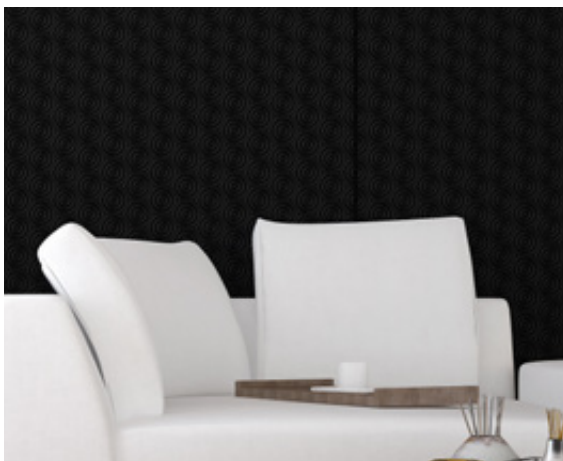
- Price: \$6 - \$8 per LFT

If you need outside and inside corner detail, you can use Monarch's EPS-OC039-N aluminum trim component. Visit the link below for installation Instructions and specifications.

<http://www.monarchmetal.com/wp-content/uploads/Monarch-Easy-Panel-System-Instructions.pdf>



Edge Trim
EPS-OC039-N (PDF/DWG)



PANEL SEQUENCING

The patterns on all Tekstur panels are sequenced along the 4' width. We recommend an 1/8" - 3/16" spacing between panels to allow for expansion and contraction.