

# TAIGA / TAIGA MAX

## INSTALLATION INSTRUCTIONS

### Recommended Tools:

- Tape Measure
- Level
- Pen or pencil
- Power drill
- For Drywall:
  - 1/2" drill bit
  - Phillips #2 bit
- For Concrete:
  - 3/16 x 4-1/2" masonry bit
  - Flathead bit

### Included in Box:

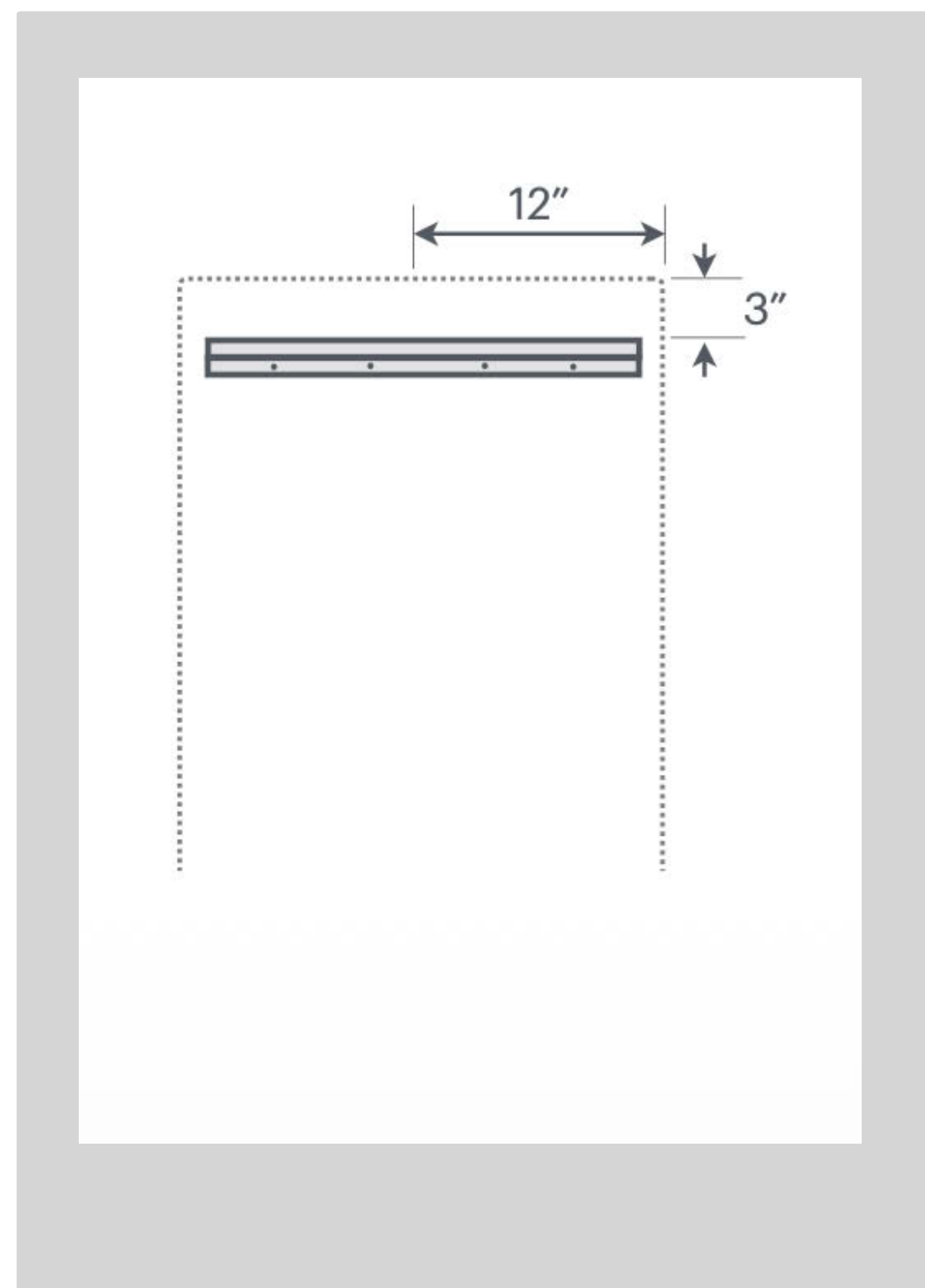
- Taiga
- Halo Light Bar
- Z-Clip
- 4x Drywall anchors / bolts
- 4x Concrete screws
- Daisy-chain power cord
- Brand Kit

### I. Z-Clip Installation

1. Place the top of the Z-Clip 3" down from where the top of the panel should be mounted.
2. Ensure the Z-Clip is horizontally centered where the Taiga will be mounted
3. Use a level to ensure Z-Clip is straight
4. Mark the locations of the Z-Clip holes on the wall
5. Remove Z-Clip and drill holes
  - For drywall, use a 1/2" drill bit
  - For concrete, use a 3/16 x 4-1/2" masonry bit
6. For drywall, install the included drywall anchors
7. Place the Z-Clip over the holes and install the fasteners through them into the wall

**STOP!**  
**DO NOT MOUNT THE DEVICE!**

**Complete Instructions on the following Page.**



## II. Powering On Taiga

1. Plug in the Taiga panel
  - Plugging directly into the wall:
    - A suitable cable for plugging into the wall receptacle will have shipped in separate packaging
  - Plugging into an adjacent Taiga panel
    - All Taiga ship with a 'daisy-chain' power cable
    - **Warning:** Only four (4) panels may safely be daisy-chained
2. Ensure the breaker on the back of the Taiga is switched to 'RESET'
3. Access and turn on the power switch at the bottom of the system
4. Confirm that the lights in the Water Entry Port are on



Direct to Wall



Daisy Chain

## III. Mounting Taiga

1. Ensure that all Taiga panels have been plugged in and are turned on
2. Lift the Taiga panel and mate its Z-Clip into the Z-Clip on the wall
3. Align the Taiga to its adjacent panels

## IV. Installing the Halo Light (Optional)

1. Hold the Halo Light above the Taiga with its connector facing downward
2. Lower the Halo until it magnetically attaches to the connector on top of Taiga
3. Confirm that the Halo Light turns on
  - Ensure that the Taiga is turned on and that the Halo Light is fully seated



Water Entry Port lights on

### 4. Wifi Setup (Optional)

1. Follow the instructions for Wifi Setup in the included Instruction Manual

