



# Panic & fire door hardware

Panic hardware

Panic hardware components

Fire door hardware

**dormakaba** 



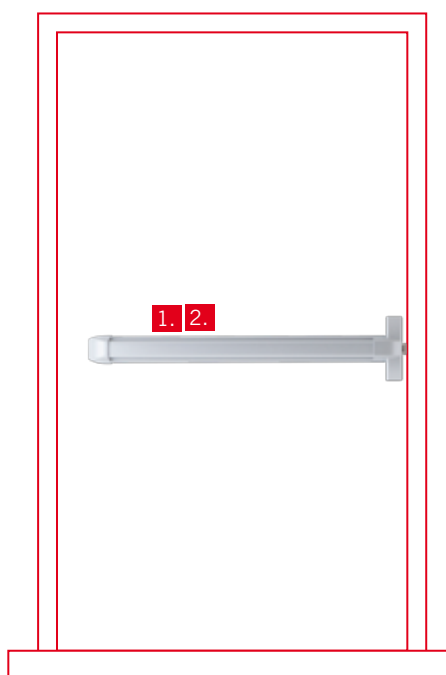
Panic hardware	4
Panic hardware components	10
Fire door hardware	11



# PHB Single door one point locking

PHB1/S One point locking - Single door - Door leaf 1000mm wide

PHB1/W One point locking - Single door - Door leaf 1300mm wide



## Set Component List

PHB1/S

3101

PHB1/W

3103

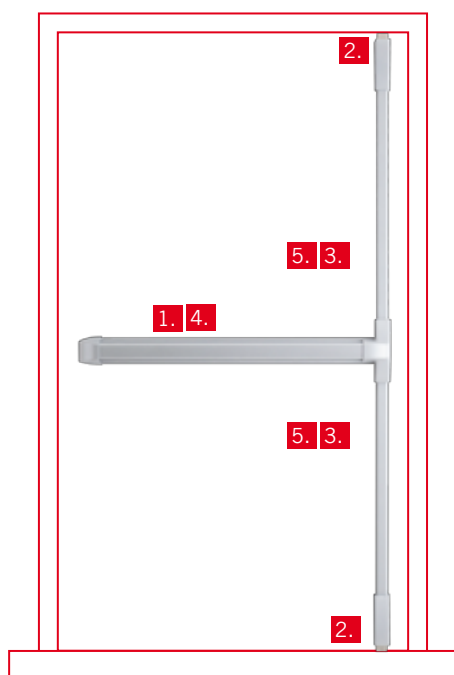
## Components

- 1. 3101 PHB Touch bar mechanism for doors up to 1000mm wide
- 2. 3103 PHB Modular touch bar mechanism for doors up to 1300mm wide

Integrated siren available.

# PHB single door two point locking

PHB2/S	Two point locking - Single door - Door leaf 1000mm wide x 2270mm high
PHB2/W	Two point locking - Single door - Door leaf 1300mm wide x 2270mm high
PHB2/L	Two point locking - Single door - Door leaf 1000mm wide x 3400mm high
PHB2/WL	Two point locking - Single door - Door leaf 1300mm wide x 3400mm high



## Set Component List

PHB2/S

3102. PHX02. PHX04

PHB2/W

3103. PHX02. PHX04

PHB2/L

3102. PHX02. PHX05

PHB2/WL

3103. PHX02. PHX05

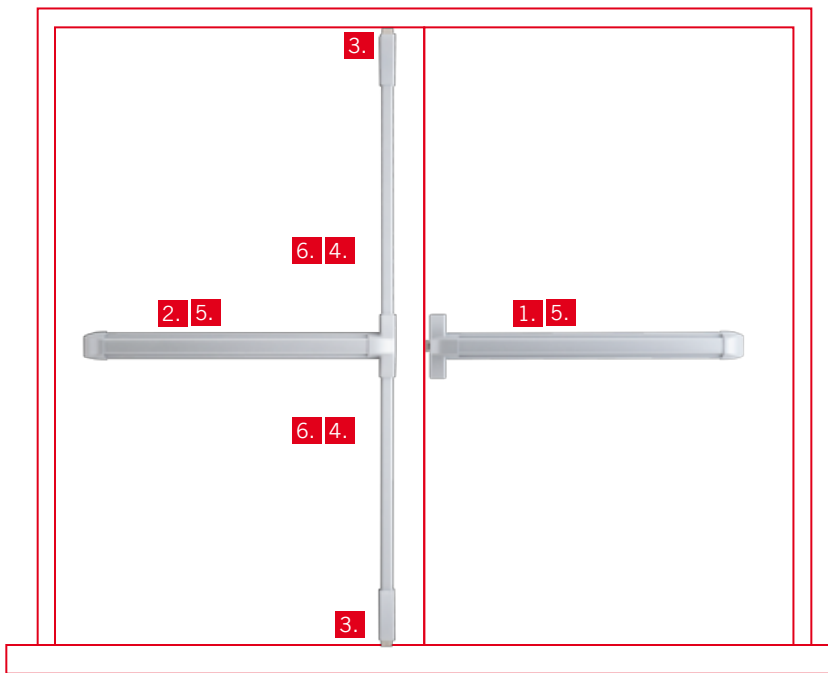
## Components

1.	3102	PHB Modular touch bar mechanism for doors up to 1000mm wide
2.	PHX02	PHB Top and bottom locking latches
3.	PHX04	PHB Top and bottom rods for 2270mm high door
4.	3103	PHB Modular touch bar mechanism for doors up to 1300mm wide
5.	PHX05	PHB Top and bottom rods for 3400mm high door

Integrated siren available.

# PHB double door three point locking

PHB3/S	Three point locking - Double door - Door leaf 1000mm wide x 2270mm high
PHB3/W	Three point locking - Double door - Door leaf 1300mm wide x 2270mm high
PHB3/L	Three point locking - Double door - Door leaf 1000mm wide x 3400mm high
PHB3/WL	Three point locking - Double door - Door leaf 1300mm wide x 3400mm high



## Set Component List

PHB3/S

3101. 3102. PHX02. PHX04

PHB3/W

3103. 3103. PHX02. PHX04

PHB3/L

3101. 3102. PHX02. PHX05

PHB3/WL

3103. 3103. PHX02. PHX05

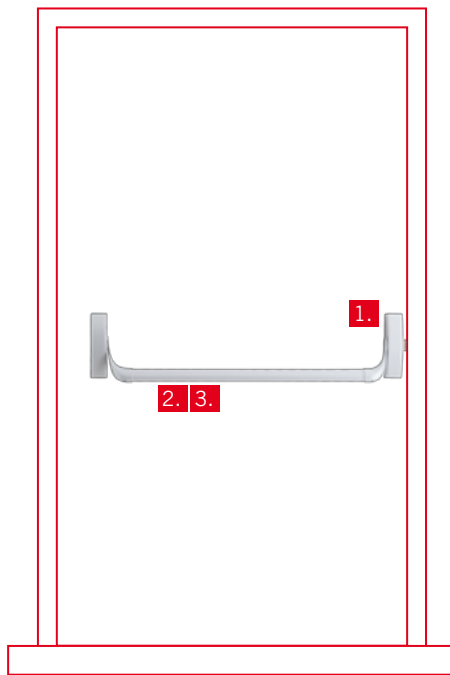
## Components

1. 3101 PHB Touch bar mechanism for doors up to 1000mm wide
2. 3102 PHB Modular touch bar mechanism for doors up to 1000mm wide
3. PHX02 PHB Top and bottom locking latches
4. PHX04 PHB Top and bottom rods for 2270mm high door
5. 3103 PHB Modular touch bar mechanism for doors up to 1300mm wide
6. PHX05 PHB Top and bottom rods for 3400mm high door

Integrated siren available.

# PHA Single door one point locking

PHA1/S One point locking - Single door - Door leaf 1000mm wide  
PHA1/W One point locking - Single door - Door leaf 1300mm wide



## Set Component List

PHA1/S  
2101.2104

PHA1/W  
2101.2105

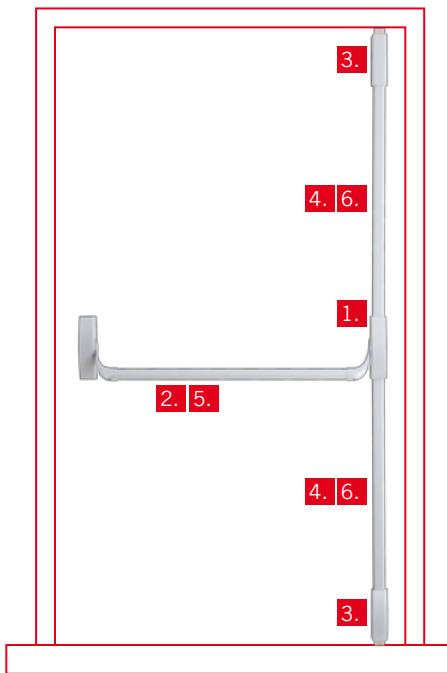
## Components

- 1. 2101 PHA One point locking mechanism
- 2. 2104 PHA Push bar for doors up to 1000mm wide
- 3. 2105 PHA Push bar for doors up to 1300mm wide

Frameless toughened glass solutions available.

# PHA single door two point locking

- PHA2/S Two point locking - Single door - Door leaf 1000mm wide x 2270mm high  
PHA2/W Two point locking - Single door - Door leaf 1300mm wide x 2270mm high  
PHA2/L Two point locking - Single door - Door leaf 1000mm wide x 3400mm high  
PHA2/WL Two point locking - Single door - Door leaf 1300mm wide x 3400mm high



## Set Component List

### PHA2/S

2201. 2104. PHX02. PHX04

### PHA2/W

2201. 2105. PHX02. PHX04

### PHA2/L

2201. 2104. PHX02. PHX05

### PHA2/WL

2201. 2105. PHX02. PHX05

## Components

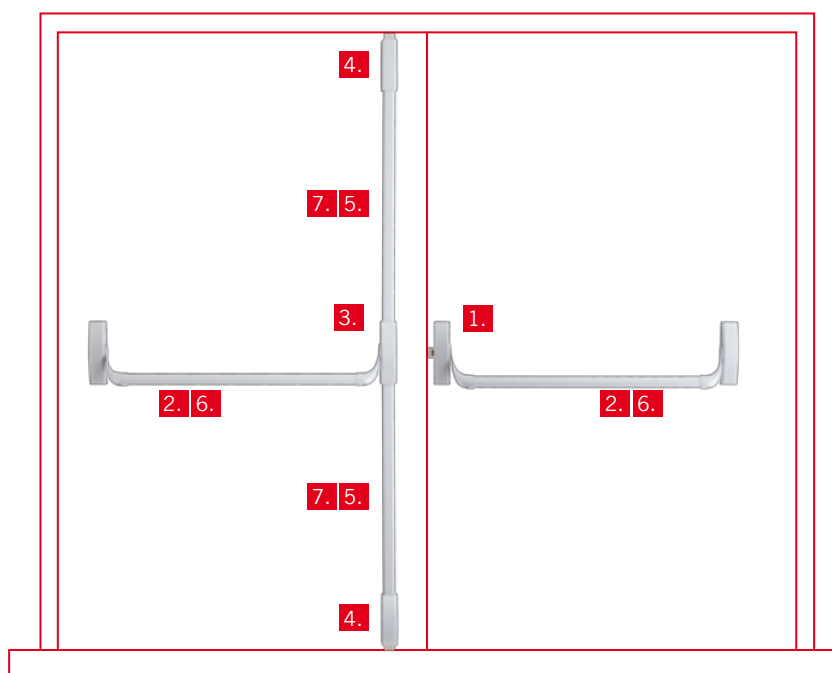
- |    |       |  |
|----|-------|--|
| 1. | 2201  | PHA Two point locking mechanism              |
| 2. | 2104  | PHA Push bar for doors up to 1000mm wide     |
| 3. | PHX02 | PHA Top and bottom locking latches           |
| 4. | PHX04 | PHA Top and bottom rods for 2270mm high door |
| 5. | 2105  | PHA Push bar for doors up to 1300mm wide     |
| 6. | PHX05 | PHA Top and bottom rods for 3400mm high door |

Frameless toughened glass solutions available.



# PHA double door three point locking

- PHA3/S Three point locking - Double door - Door leaf 1000mm wide x 2270mm high  
PHA3/W Three point locking - Double door - Door leaf 1300mm wide x 2270mm high  
PHA3/L Three point locking - Double door - Door leaf 1000mm wide x 3400mm high  
PHA3/WL Three point locking - Double door - Door leaf 1300mm wide x 3400mm high



## Set Component List

### PHA3/S

2101. 2104. 2104. 2201. PHX02. PHX04

### PHA3/W

2101. 2105. 2105. 2201. PHX02. PHX04

### PHA3/L

2101. 2104. 2104. 2201. PHX02. PHX05

### PHA3/WL

2101. 2105. 2105. 2201. PHX02. PHX05

## Components

- |    |       |  |
|----|-------|--|
| 1. | 2101  | PHA One point locking mechanism              |
| 2. | 2104  | PHA Push bar for doors up to 1000mm wide     |
| 3. | 2201  | PHA Two point locking mechanism              |
| 4. | PHX02 | PHA Top and bottom locking latches           |
| 5. | PHX04 | PHA Top and bottom rods for 2270mm high door |
| 6. | 2105  | PHA Push bar for doors up to 1300mm wide     |
| 7. | PHX05 | PHA Top and bottom rods for 3400mm high door |

Frameless toughened glass solutions available.

# Panic hardware components

## PHT3901

Exterior access lock with lever handle



## PH2112

Push pad panic latch



## PHA MICRO SWITCH

For actuation of visual or audible signals. Contact rating: max. 48 V DC, max. 3 A



## PHB MICRO SWITCH

For actuation of visual or audible signals. Contact rating: max. 48 V DC, max. 3 A

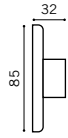


# Fire door hardware

## EM 500G

Hold-open magnet - Surface mounted

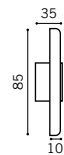
Operating voltage - 24V DC. Power consumption 1.5 W. Holding force 400N



## EM 500U

Hold-open magnet - Flush mounted

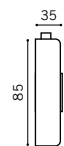
Operating voltage - 24V DC. Power consumption 1.5 W. Holding force 400N



## EM 500A

Hold-open magnet - With test pushbutton

Operating voltage - 24V DC. Power consumption 1.5 W. Holding force 400N



# Fire door hardware

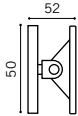
## MAG

Receiver plate



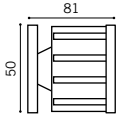
## MAW

Receiver plate - Swivel joint



## MAT

Receiver plate - Spring loaded



# Fire door hardware

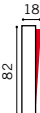
## EMI

Floor mounting bracket



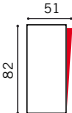
## HT-AP

Push to release button - Surface mounted



## HT-UP

Push to release button - Flush mounted



# Fire door hardware

## SR 392

Surface mounted door coordinator

The DORMA SR 392 is a coordinator for double-leaf fire and smoke check doors. It is non-handed and suitable for unequal door leaves.

Size 1, length 1050mm (door leaf width greater than 800 mm)

Size 2, length 650 mm (door leaf width less than 800 mm)



Minimum double door width -1225mm. Minimum width of inactive leaf - 350mm

## MK 396

Carry bar

The MK 396 carry bar is used in conjunction with door coordinators.

Its function is to extend the opening angle of the active leaf ensuring that the coordinator engages every time.



## RMZ

Stand alone smoke detector

The RMZ smoke detector in the Contur design supplies connected hold-open devices with 24 V DC voltage. In the event of smoke detection or an alarm, it trips the devices, thus releasing the door to close under spring power. Connections for further smoke detectors, as well as for external manual release and a floating change-over contact are also available.



# Fire door hardware

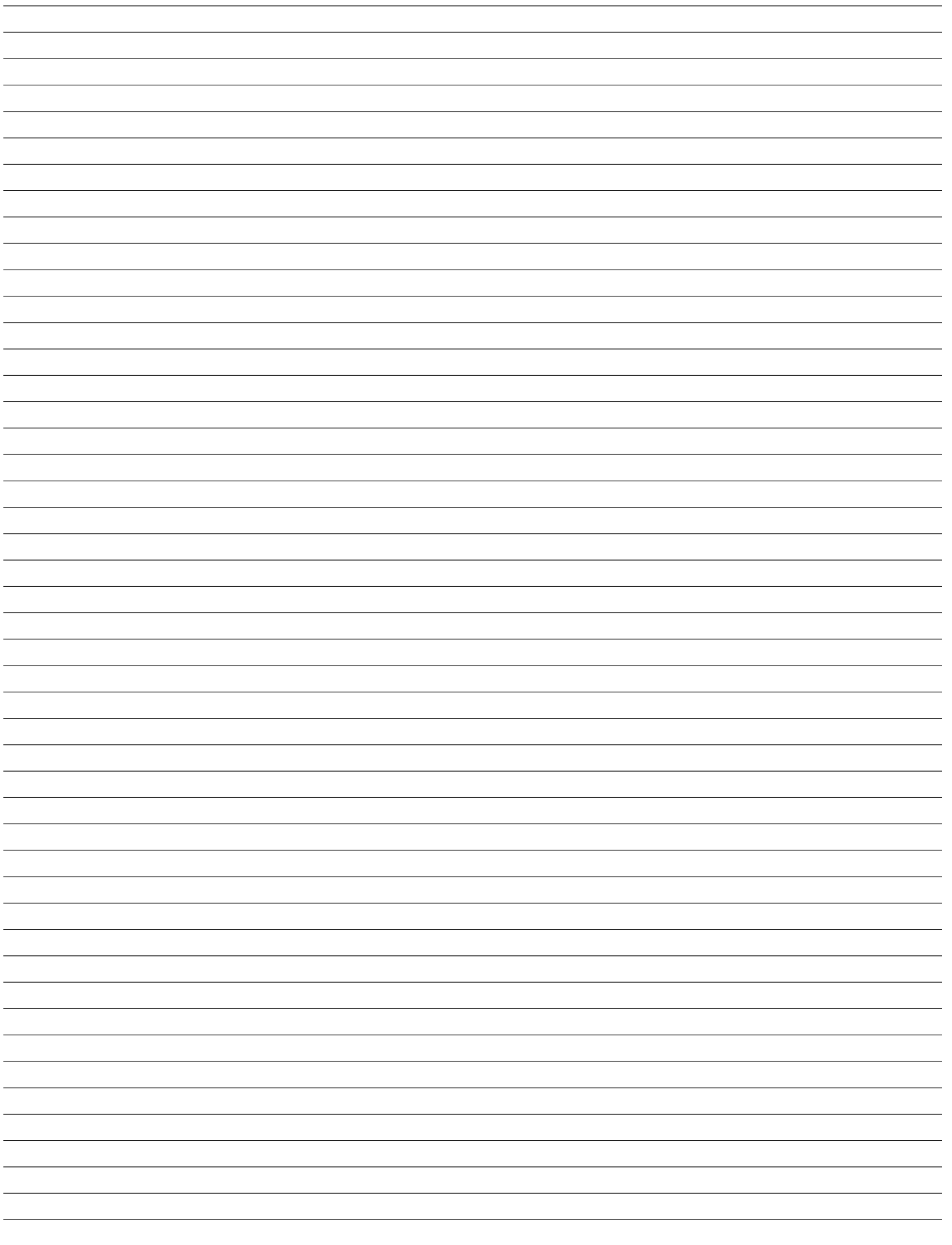
## RMN

### Smoke detectors

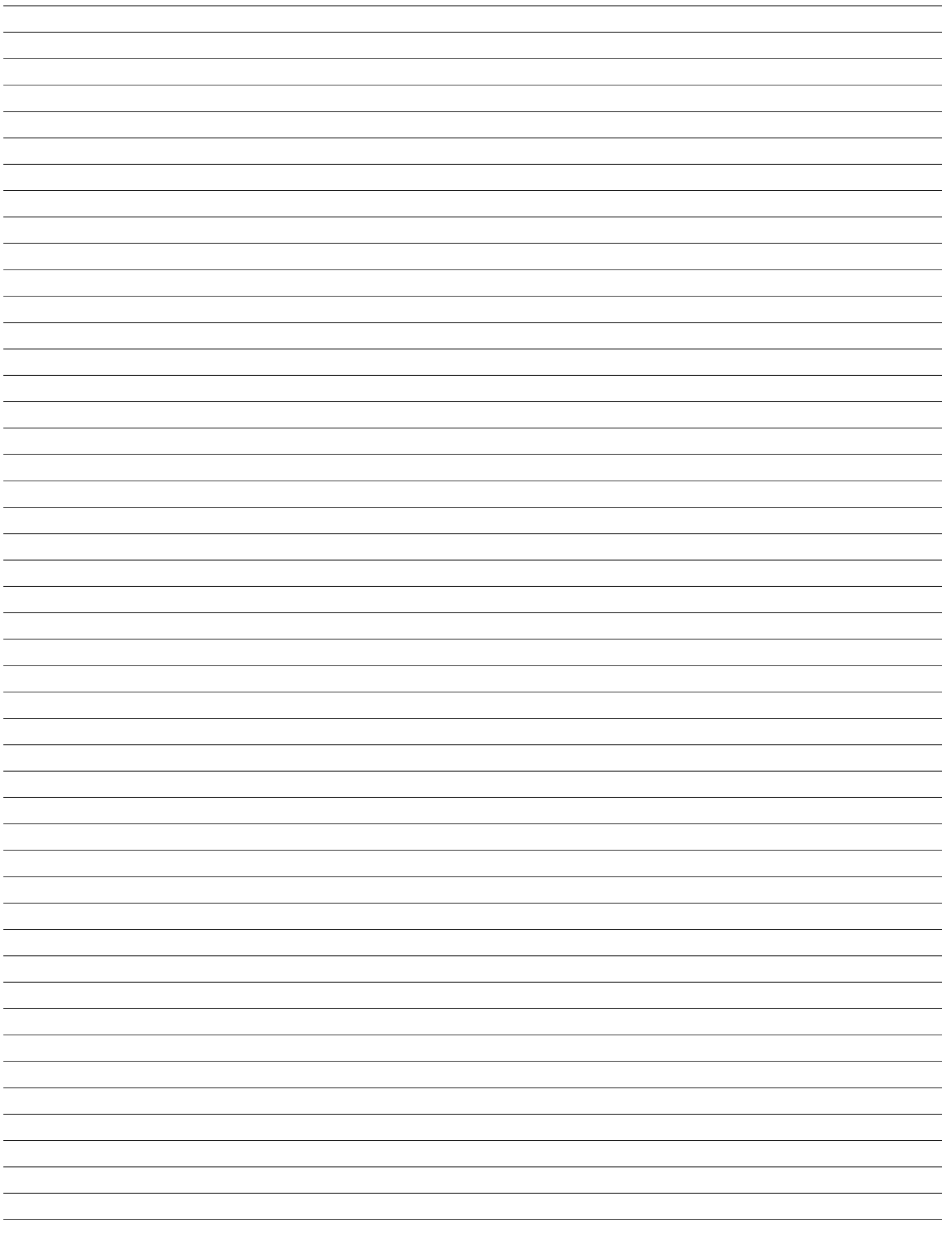
The RM-N smoke detectors are used in conjunction with integrated EMR smoke detectors as well as the RMZ stand alone smoke detector. These units are used to ensure early detection and are necessary where high ceilings are present.

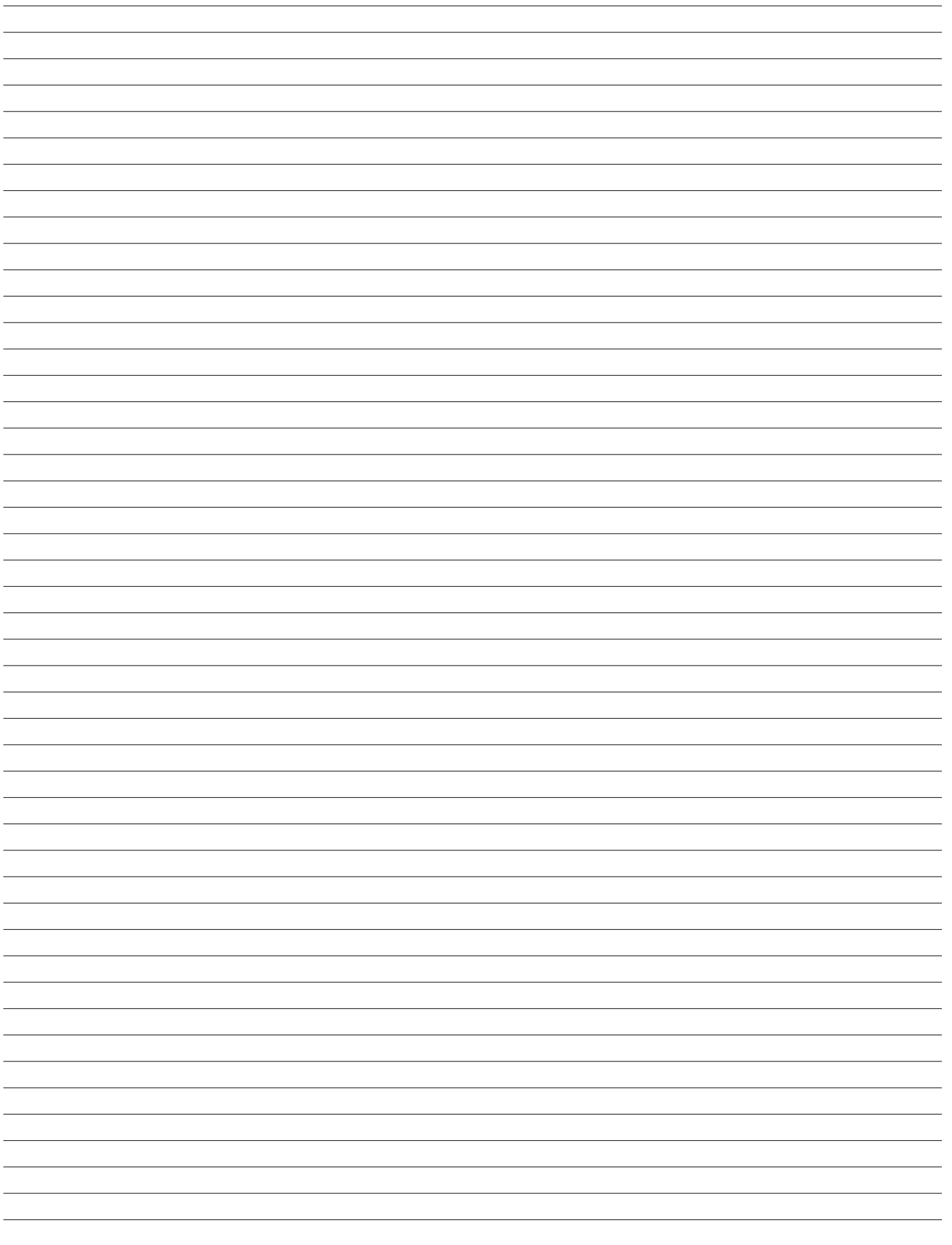
Refer to DORMA TS 93 technical brochure for further details.













Catalogue

HEAD OFFICE  
2 Gravel Drive  
Kya Sands Business Park  
Kya Sands  
2169  
011 510 1500  
086 694 2794  
info.za@dormakaba.com

[www.dormakaba.com](http://www.dormakaba.com)