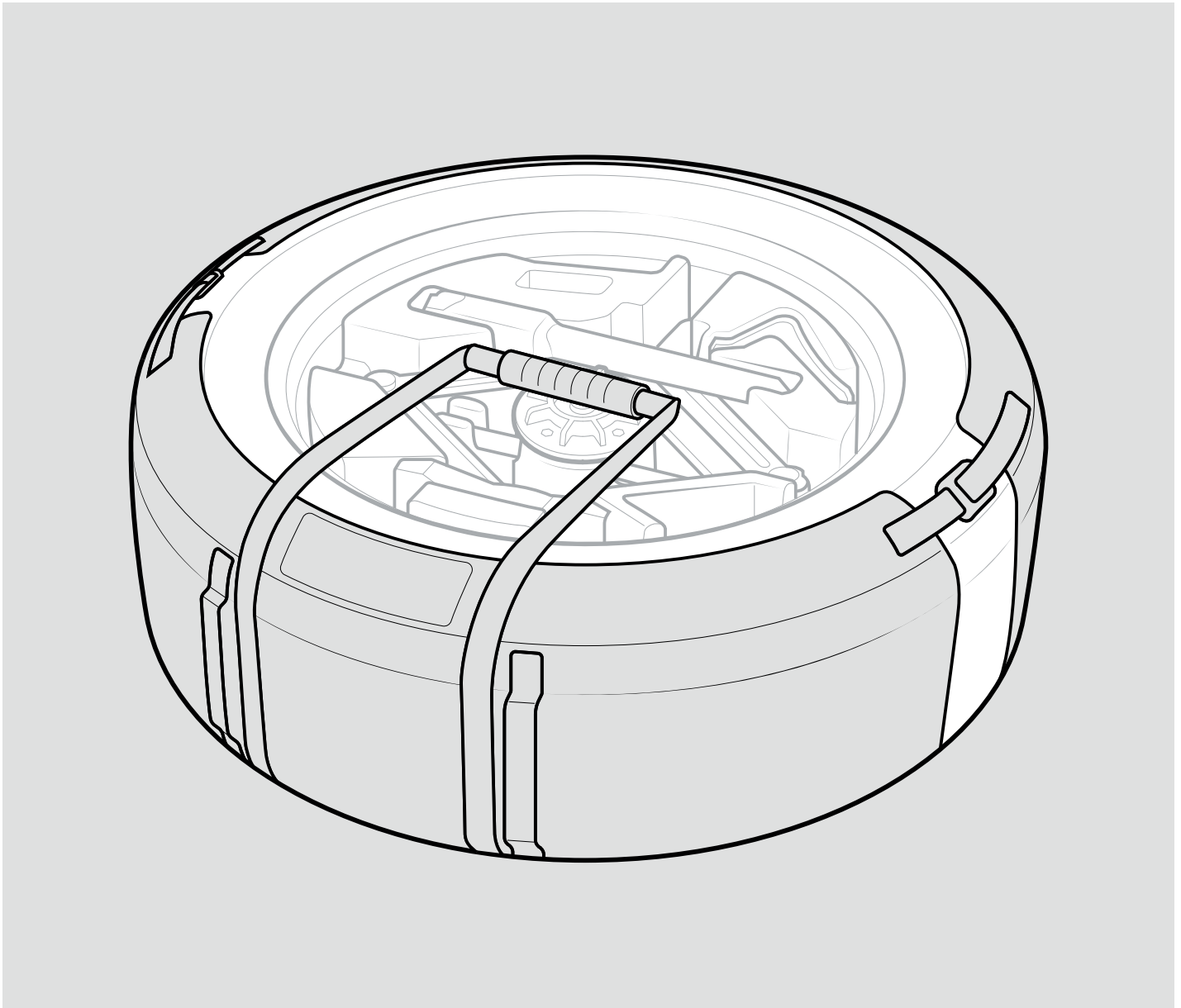




# R1T Tire Lift Harness Guide



# RIVIAN

© 2025-2026 Rivian Automotive, LLC. All rights reserved.

All information in this document and all Rivian software is subject to copyright and other intellectual property rights of Rivian Automotive, LLC, its affiliates, or its licensors. This material may not be modified, reproduced, or copied, in whole or in part, without the prior written permission of Rivian Automotive, LLC, its affiliates, or its licensors. Unless indicated otherwise, all trademarks are owned and registered by Rivian Automotive, LLC, its affiliates, or its licensors in the United States and/or other countries. Please visit <https://www.rivian.com/legal/brand> for Rivian's trademarks and service marks.

The images provided in this document are for illustrative purposes only. Depending on the product details and market region, the information in this document may appear slightly different from your product.

# Contents

<b>Symbols Used in This Guide</b> .....	<b>4</b>
<b>Introduction</b> .....	<b>5</b>
<b>Install the Tire Lift Harness the First Time</b> .....	<b>6</b>
<b>Remove the Tire from the Spare Tire Compartment with the Lift Harness</b> .....	<b>7</b>
<b>Return the Tire to the Spare Tire Compartment</b> .....	<b>8</b>
<b>Adventure Gear Limited Warranty</b> .....	<b>8</b>
<b>Customer Service</b> .....	<b>9</b>

# Symbols Used in This Guide

The following are the meanings of symbols used in this guide:



## **CAUTION**

Risk of

- damage to vehicle or property
- voiding warranty

## **NOTE**

Useful information

# Introduction

The R1T Tire Lift Harness makes it easier to remove the spare tire from the truck bed and to replace it after use. It includes a cover, removal strap, and four handles.

To clean the R1T Tire Lift Harness, wipe it down with a damp cloth to remove any dirt or debris.

Item	Values
Compatible tire sizes	Outer diameter 32 in to 34 in
Tire sizes	275/55R21, 275/50R22, 275/60R20, 275/65R20
Weight	0.61 kg
Materials	Water-resistant 400D nylon PU2

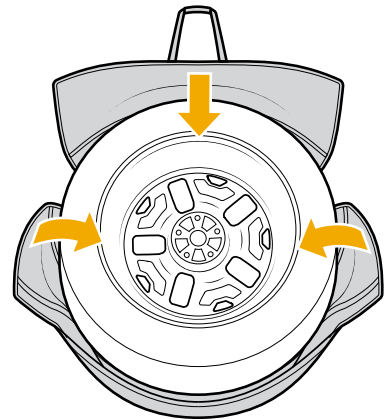
# Install the Tire Lift Harness the First Time

1. Remove the Tire Lift Harness from the packaging.
2. Lay the cover on the ground, loosen the straps all the way, and unhook the clips.
3. Place the wheel onto the cover with the rim face down.

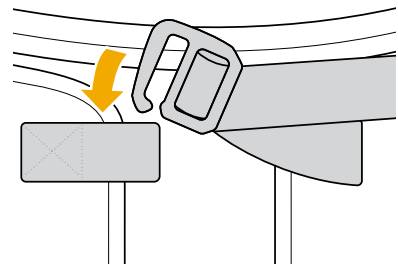
**NOTE**

The cover doesn't need to be perfectly centered.

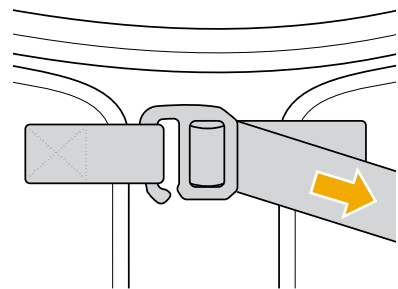
4. Pull the cover up the sides evenly, all the way around the diameter.



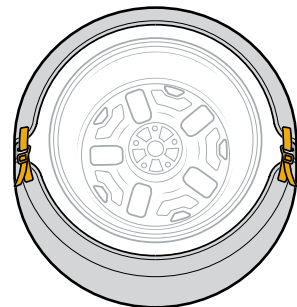
5. Hook the clips.



6. Tighten the straps.



7. The cover should fit tightly and evenly around the tire with the straps firmly fastened.
8. See [Return the Tire to the Spare Tire Compartment](#) (page 8) for instructions on returning it to the spare tire compartment.



# Remove the Tire from the Spare Tire Compartment with the Lift Harness

Here's how to remove the spare tire from the spare tire compartment in the truck bed.

1. Open the tailgate.
2. Lift the release lever to open the spare tire compartment.
3. Push the compartment lid to a vertical position.
4. Unfasten the spare tire wing nut and remove the tire service kit from the spare tire.
5. Use the hex hole on the spare tire wing nut to unscrew and remove the tire service kit retention rod. Save the wing nut and retention rod for reinstallation.
6. From the rear of the vehicle, grab the spare tire cover's handle and stretch it out over the tailgate.
7. While braced against the tailgate, pull the spare tire cover's handle to lift the front edge of the tire out of the spare tire compartment.
8. When the tire is at a 45-degree angle, reach forward and grab the two handles on the lifted front edge of the spare tire cover.
9. Pull the cover handle to remove the spare wheel from the spare tire compartment and onto the tailgate.
10. Pull the tire to the edge of the tailgate and drop it to the ground.
11. Undo the tension straps on the top of the cover to loosen the cover.
12. Lift the tire to a vertical position and remove the cover.

# Return the Tire to the Spare Tire Compartment

1. Perform the instructions in [Install the Tire Lift Harness the First Time](#) (page 6).
2. Using two people and the four handles around the edges of the lift harness, lift the covered tire onto the tailgate.



**CAUTION**

The tire is heavy.

3. Position the covered tire to center the Lift Harness handle toward the rear of the vehicle.
4. Toss the Tire Lift Harness handle fully onto the spare tire.
5. Push and slide the tire from the tailgate into the spare tire compartment.



**CAUTION**

The tire may slide into the spare tire compartment suddenly. Be careful not to pinch your fingers.

6. Replace the tire service kit retention rod through the wheel hub center and tighten it with the wing nut.
7. Replace the service kit on the retention rod.
8. Secure the wing nut to the retention rod.
9. Close the bin lid. Be sure to engage both latches.
10. Close the tailgate.

## Adventure Gear Limited Warranty

Refer to the [Adventure Gear Limited Warranty Guide](#) for warranty information.

# Customer Service

Still need help? Connect with us.

**RIVIAN**

## **Customer Engagement Center**

---

(888) RIVIAN1 / (888) 748-4261

[rivian.com/support/contact](https://rivian.com/support/contact)