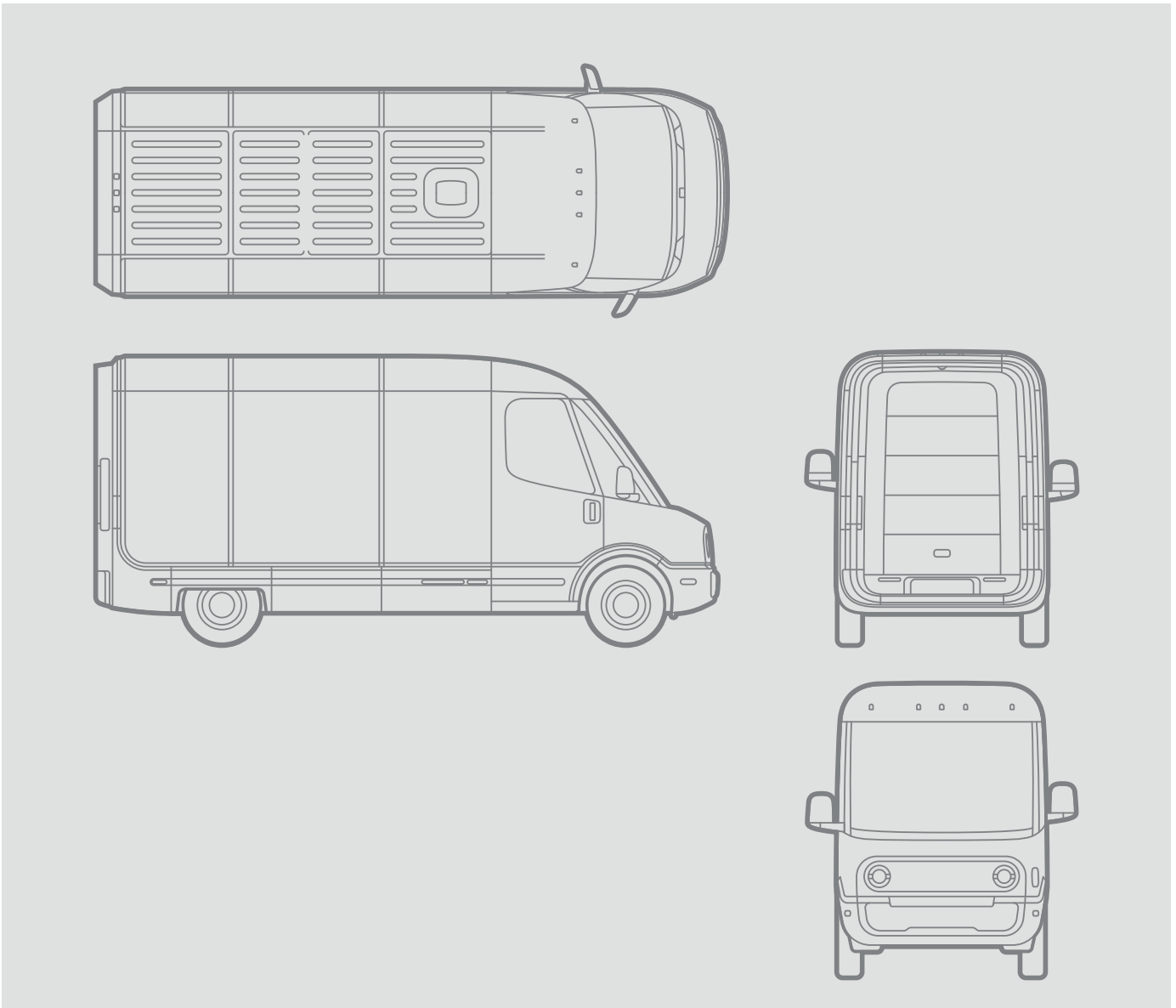


Rivian Commercial Van

Operating Guide





© 2024 Rivian Automotive, LLC. All rights reserved.

All information in this document and all Rivian software is subject to copyright and other intellectual property rights of Rivian Automotive, LLC, its affiliates, or its licensors. This material may not be modified, reproduced, or copied, in whole or in part, without the prior written permission of Rivian Automotive, LLC, its affiliates, or its licensors. Unless indicated otherwise, all trademarks are owned and registered by Rivian Automotive, LLC, its affiliates, or its licensors in the United States and/or other countries. Please visit <https://www.rivian.com/legal/brand> for Rivian's trademarks and service marks.

Software embedded or accessed by the vehicle may utilize open source software. Please visit <https://www.rivian.com/legal/open-source> for more information.

Some features may not be available depending on your vehicle configuration or region.

The images provided in this document are for illustrative purposes only. Depending on the product details and market region, the information in this document may appear slightly different from your product.

Contents

| | |
|--------------------------------------|-----------|
| Introduction | 8 |
| Symbols in This Guide | 8 |
| Exterior Overview | 9 |
| Front View | 9 |
| Rear View | 10 |
| Driver Side View | 11 |
| Curbside View | 12 |
| Interior Overview | 13 |
| Cabin Front View | 13 |
| Cabin Rear View | 14 |
| Cargo Area View | 16 |
| Access and Climate | 17 |
| Opening and Closing Doors | 17 |
| Doors | 17 |
| Automatic Lock and Unlock | 21 |
| Key Fob | 24 |
| Windows | 27 |
| Climate Controls | 28 |
| Heat and Cool | 28 |
| Cabin Compartments | 31 |
| Safety and Security | 33 |
| Lights | 33 |
| Exterior Lights | 33 |
| Control the Lights | 34 |
| Turn Signals | 34 |
| Headlights and Rear Fog Lights | 35 |
| Hazard Lights | 36 |
| Interior Lights | 36 |
| Wipers | 38 |
| Change the Wiper Settings | 38 |
| Wash the Windshield | 39 |
| Auto Mode | 39 |
| Seating | 40 |
| Seat Belts | 40 |
| Airbags | 44 |
| Folding Jump Seat | 47 |

| | |
|----------------------------------|-----------|
| Driver Seat | 48 |
| Steering Wheel Adjustment | 50 |
| Mirrors and Camera Views | 51 |
| Adjust the Side Mirrors | 51 |
| Backup and Surround View | 53 |
| Always-On Rear Camera View | 53 |
| Security System | 54 |
| Use the Alarm | 54 |
| Arm or Disarm the Alarm | 54 |
| Alarm Triggers | 54 |
| Stop the Alarm | 54 |
| Pedestrian Audio Alert | 55 |
| Phone and Audio | 56 |
| Phone | 56 |
| Pair a Phone | 56 |
| Receive a Call | 56 |
| Make a Call | 57 |
| SOS or Emergency Calls | 57 |
| Wi-Fi | 57 |
| Connect to a Wi-Fi Network | 57 |
| Wi-Fi Settings | 58 |
| Audio | 58 |
| Adjust the Audio Settings | 58 |
| Device Charging | 58 |
| Charge Ports | 58 |
| Wireless Charging | 59 |
| Troubleshooting | 60 |
| Driving | 61 |
| Status Indicators | 61 |
| Function Check | 61 |
| Basic Vehicle Operations | 65 |
| Power On or Off | 65 |
| View Odometer | 66 |
| Select a Gear | 66 |
| P (Park) | 67 |
| R (Reverse) | 67 |
| N (Neutral) | 68 |
| D (Drive) | 68 |
| Stop Driving | 68 |
| Regenerative Braking | 68 |

| | |
|--|-----------|
| Vehicle Hold | 69 |
| Drive Controls | 70 |
| Anti-Lock Braking System | 70 |
| Electronic Stability Control | 70 |
| Horn | 70 |
| Navigation | 70 |
| Overview | 70 |
| Charging Stops | 71 |
| Add Stops | 72 |
| Range Restriction and Fleet Data | 73 |
| Driver+ | 74 |
| Park Assist | 74 |
| Limitations | 75 |
| Surround View | 75 |
| Adaptive Cruise Control | 76 |
| Adaptive Cruise Control Hold | 76 |
| Turn On Adaptive Cruise Control | 76 |
| Turn Off Adaptive Cruise Control | 78 |
| Operating Conditions | 78 |
| Limitations | 79 |
| System Malfunctions | 79 |
| Curve Speed Assist | 80 |
| Curve Speed Warning | 80 |
| Auto High Beams | 81 |
| Functionality | 81 |
| Conditions to Activate | 81 |
| Use Auto High Beams | 82 |
| Limitations | 82 |
| Rear Cross-Traffic Alert | 82 |
| Functionality | 83 |
| Limitations | 83 |
| Lane Safety | 83 |
| Functionality | 84 |
| Conditions to Activate | 84 |
| Limitations | 84 |
| Blind Spot Warning | 85 |
| Functionality | 85 |
| Conditions to Activate | 85 |
| Limitations | 85 |
| Collision Mitigation | 86 |

| | |
|---|------------|
| Operating Conditions | 88 |
| Limitations | 88 |
| Blockage and Malfunction | 88 |
| Rear Automatic Emergency Braking | 89 |
| Limitations | 90 |
| Charging | 91 |
| Charge a Vehicle | 91 |
| Start a Charge Session | 91 |
| Charging Status | 92 |
| Time to Charge | 92 |
| Stop a Charge Session | 93 |
| DC Fast Charging | 93 |
| Public Chargers | 94 |
| Charge a Fleet | 94 |
| Low Battery | 94 |
| Maximize Range | 95 |
| What is Range | 95 |
| What Reduces Range | 95 |
| How to Maximize Range | 96 |
| Battery Life | 97 |
| Cargo Area | 98 |
| Cargo Shelves and Area | 98 |
| Reposition the Cargo Shelves | 98 |
| Cargo Area Ventilation | 99 |
| Emergency and Roadside | 101 |
| SOS Button and Emergency Calls | 101 |
| Emergency Equipment | 102 |
| Fire Extinguisher | 102 |
| First Aid Kit and Tow Hook | 102 |
| Warning Triangles | 103 |
| Recover the Vehicle | 104 |
| Prepare the Vehicle for Recovery | 104 |
| Connect to the Rear Axle | 105 |
| Lift the Rear Wheels | 106 |
| Load the Vehicle onto the Tow Truck | 107 |
| Manually Release the Charge Plug | 108 |
| Reporting Safety Defects | 109 |
| Emergency Stop | 109 |
| Service and Maintenance | 110 |
| Windshield Washer Fluid | 110 |

| | |
|--|------------|
| Temperature Rating | 110 |
| Refill Windshield Washer Fluid | 111 |
| Tires | 113 |
| Tires and Wheels | 113 |
| Tire Pressure Monitoring System | 118 |
| Jump Start 12 V Batteries | 120 |
| Perform a Restart | 123 |
| Restart the Software | 123 |
| Restart the Vehicle | 124 |
| Clean the Exterior | 125 |
| Vehicle Shipping Mode | 127 |
| Turn On Vehicle Shipping Mode | 127 |
| Turn Off Vehicle Shipping Mode | 128 |
| Legal and Reference | 129 |
| Legal | 129 |
| USA FCC Certification | 129 |
| Exposure to Radio Frequency Energy | 131 |
| State-Specific Disclaimers | 131 |
| Event Data Recorder | 132 |
| Privacy and User Data | 132 |
| Quality Control | 132 |
| Customer Service | 133 |

Introduction

Symbols in This Guide

Symbols used in this guide have these meanings:



DANGER

Risk of electrocution or electric shock



DANGER

Risk of major injury caused by dangers such as these:

- fire
- chemical or poison
- crushing
- maiming
- death



WARNING

Risk of minor injury



CAUTION

Any of these risks:

- damage to vehicle or property
- data disruption
- voided warranty

IMPORTANT

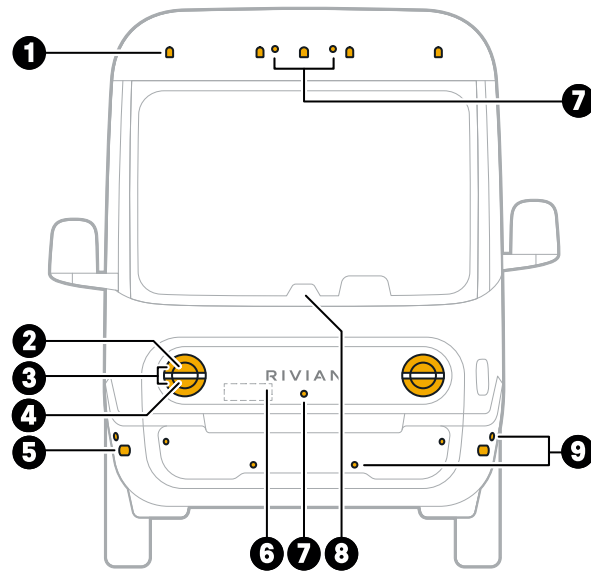
Instructions to successfully complete a task

NOTE

Useful information

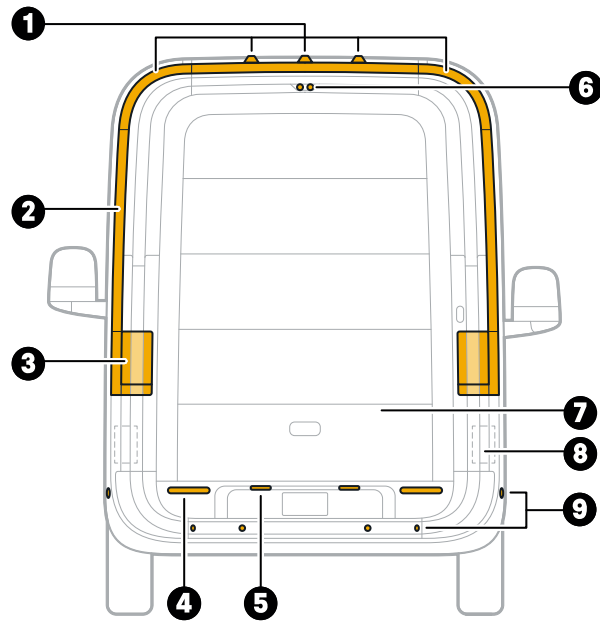
Exterior Overview

Front View



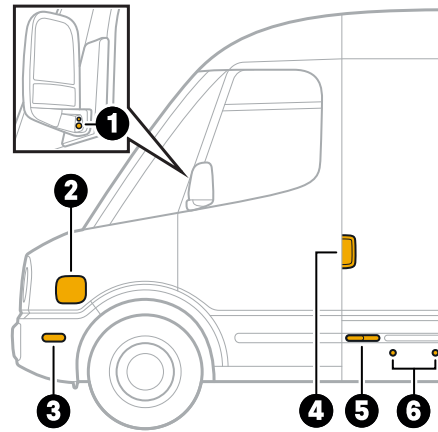
| Item | Description |
|------|--|
| 1 | Front clearance and identification lights |
| 2 | Low beam headlights |
| 3 | Front turn signal lights, daytime running lights, and parking lights |
| 4 | High beam headlights |
| 5 | Front side markers and front reflex reflectors |
| 6 | Front radar module |
| 7 | Cameras |
| 8 | Front camera module |
| 9 | Ultrasonic sensors |

Rear View



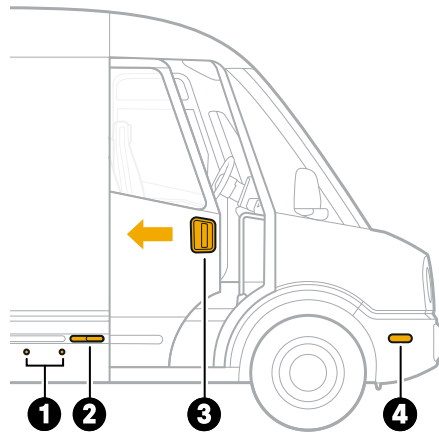
| Item | Description |
|------|---|
| 1 | Rear clearance and identification lights |
| 2 | Supplemental taillights |
| 3 | Rear turn signal lights, stop lights, and taillights |
| 4 | Back up lights, rear fog lights (if equipped), and rear reflex reflectors |
| 5 | License plate lights |
| 6 | Task light and camera |
| 7 | Rollup door |
| 8 | Corner radar |
| 9 | Ultrasonic sensors |

Driver Side View



| Item | Description |
|------|--|
| 1 | Side mirror with lane change cameras |
| 2 | Charge port door |
| 3 | Front side marker and reflex reflector |
| 4 | Door release button |
| 5 | Mid side marker, side turn signal lights, and reflex reflector |
| 6 | Ultrasonic sensors |

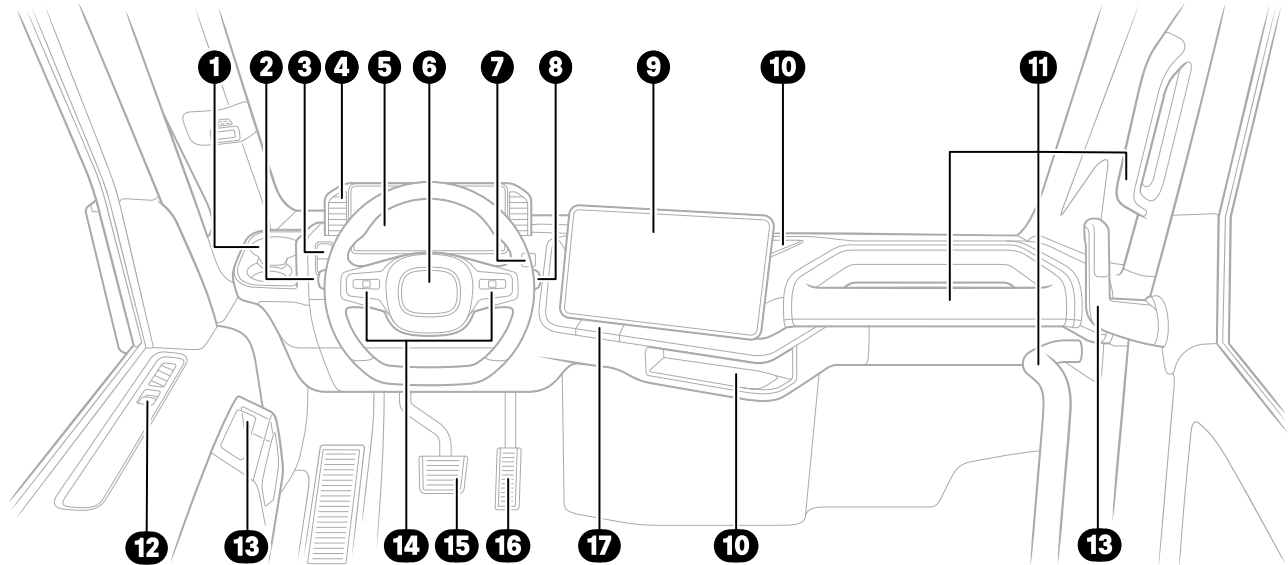
Curbside View



| Item | Description |
|------|--|
| 1 | Ultrasonic sensors |
| 2 | Mid side marker, side turn signal lights, and reflex reflector |
| 3 | Door handle |
| 4 | Front side marker and reflex reflector |

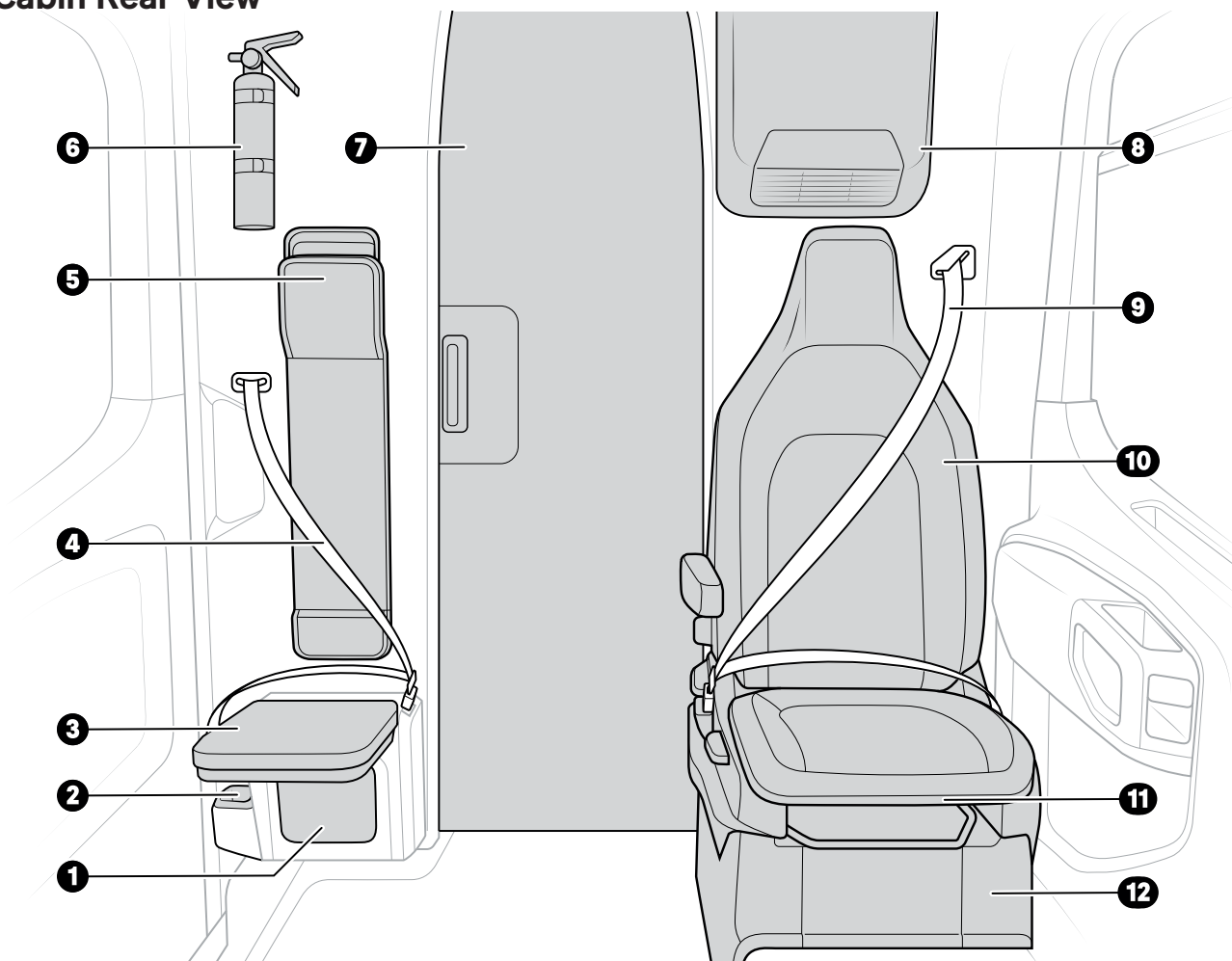
Interior Overview

Cabin Front View



| Item | Description |
|------|-------------------------------------|
| 1 | Cup holders |
| 2 | Lights stalk |
| 3 | Camera button (not yet operational) |
| 4 | Vents |
| 5 | Driver display |
| 6 | Horn and location of airbag module |
| 7 | SOS button |
| 8 | Drive stalk |
| 9 | Center display |
| 10 | Wireless chargers and ports |
| 11 | Grab handles |
| 12 | Window controls |
| 13 | Interior door release |
| 14 | Thumb controls |
| 15 | Brake pedal |
| 16 | Accelerator pedal |
| 17 | Hazard lights button |

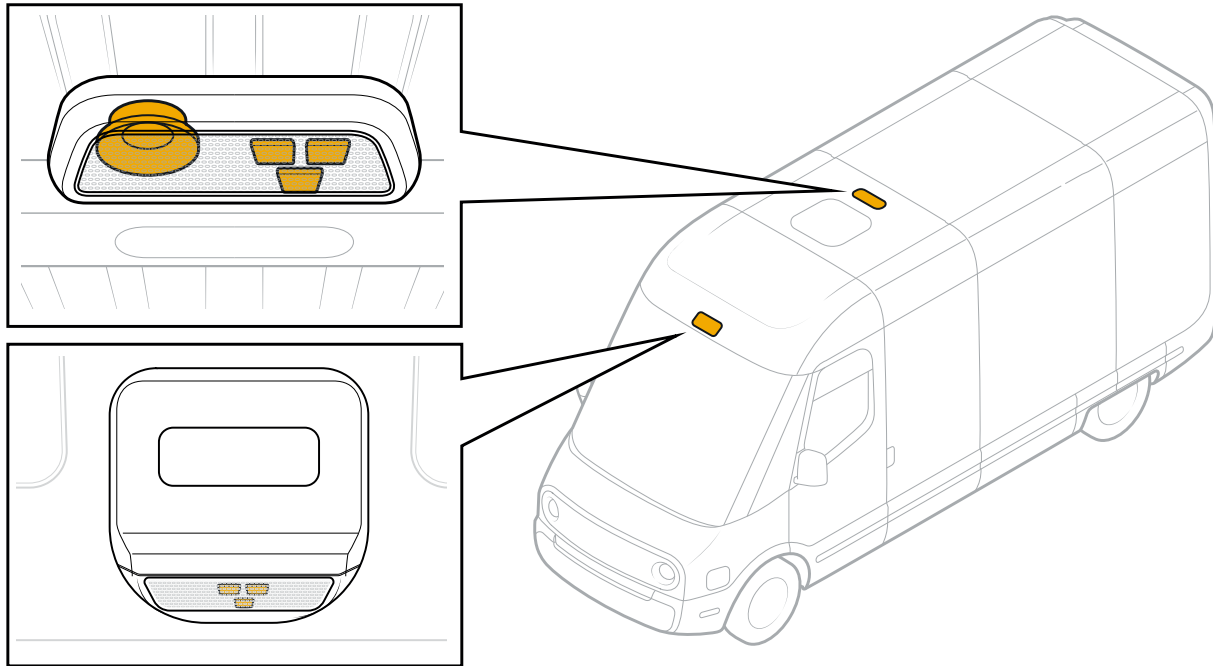
Cabin Rear View



| Item | Description |
|------|--|
| 1 | First aid kit (also houses the recovery eyelet that screws into the front bumper beam) |
| 2 | Folding jump seat cupholder |
| 3 | Folding jump seat |
| 4 | Folding jump seat seat belt |
| 5 | Document holder |
| 6 | Fire extinguisher |
| 7 | Bulkhead door |
| 8 | Vent |
| 9 | Driver seat belt |
| 10 | Driver seat |
| 11 | Storage container |
| 12 | Fuse box (behind access panel) |

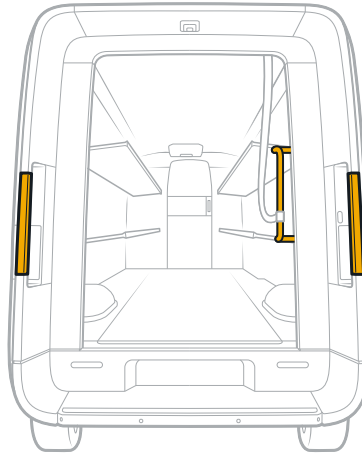
Microphones

Two microphones are located in the interior of the vehicle, one above the front cabin and the other above the cargo area.



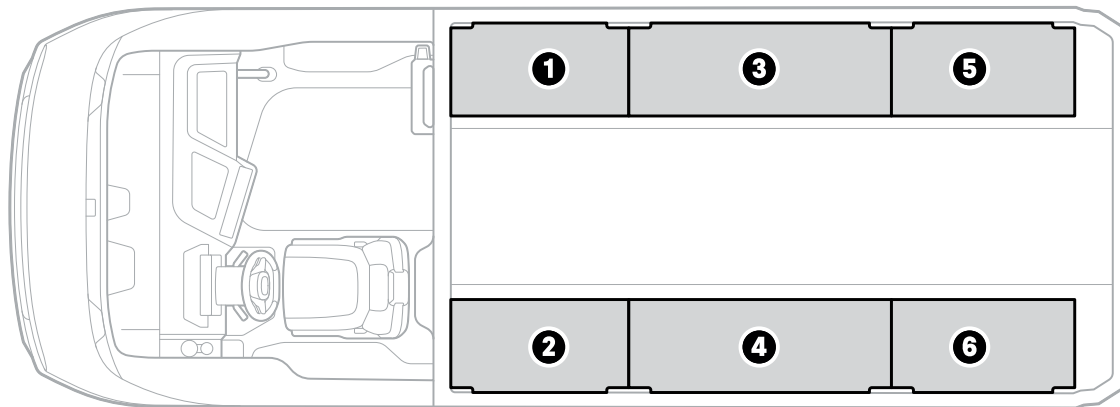
Cargo Area View

The interior grab handle (shown with strap) and the two exterior grab handles are located at the rear of the cargo area.



Cargo Shelves

Cargo shelves, if equipped, are divided into separate zones that contain fixed shelves (1 – 4) and folding shelves (5 – 6).



Access and Climate

Opening and Closing Doors

Doors

Stay Safe Around Doors



CAUTION

Balance

- Use the step to enter or exit the driver's seat. Steady yourself by holding onto the grab handle and another part of the vehicle.
- Use the step to enter or exit the vehicle from the curbside or rollup door. Steady yourself by holding onto the grab handle and another part of the vehicle.

Stay Clear

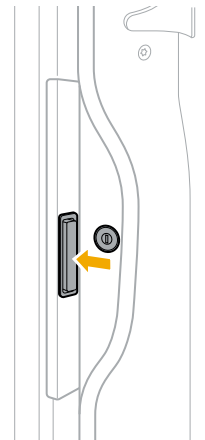
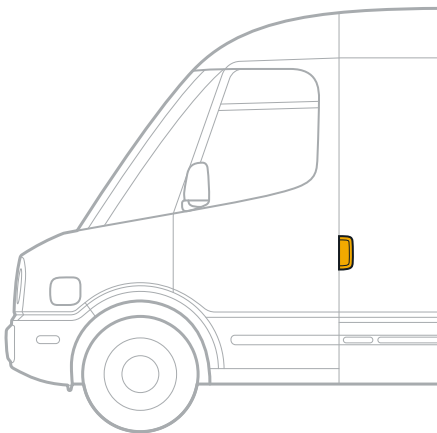
- Check that the vehicle is in **P** (Park) before you exit or enter the vehicle.
- Keep your body and clothing clear of all doors as you get in and out. You can injure yourself if a door closes or catches on any part of you or your clothing.

Handles

- Use door handles to open and close doors to keep clear and avoid an injury.

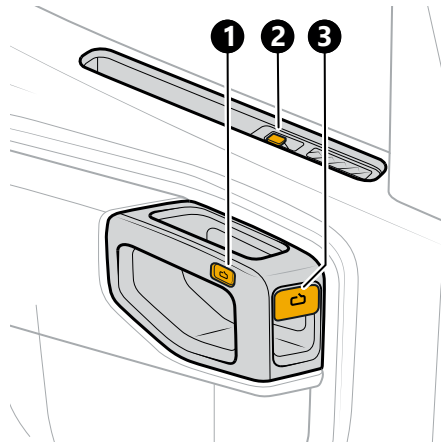
Driver Door

To open the driver door from the outside, push the button inside the handle to unlatch the door. Then pull the handle to open it.



To open the driver door from inside the vehicle, do one of the following:

- Push the small button on the armrest, then push the door to open it.
- Pull up the handle at the front of the armrest.

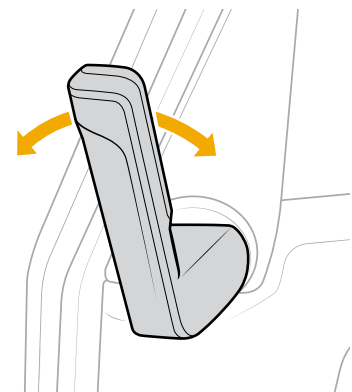
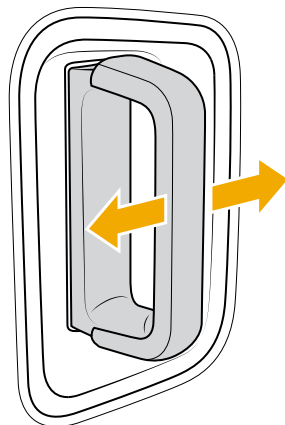
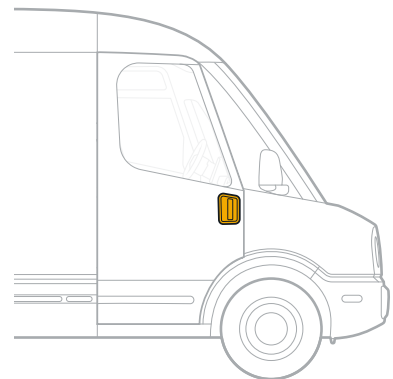


| Item | Description |
|------|------------------|
| 1 | Door open button |
| 2 | Window switch |
| 3 | Door open handle |

Curbside Door

Grab the handle and pull to slide the curbside door open.

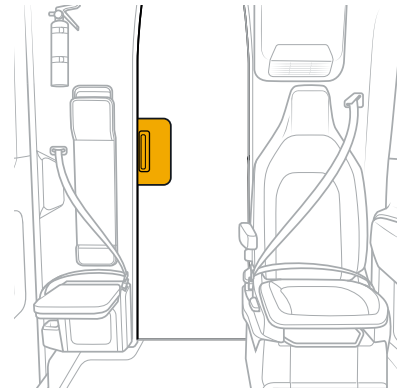
When the door is fully open or closed, it latches in place.



Bulkhead Door

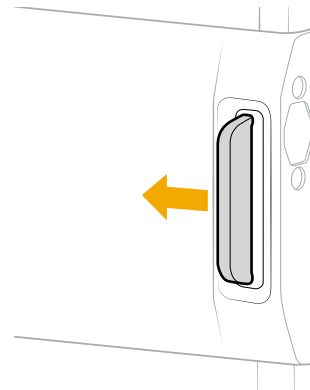
The bulkhead door connects the front cabin to the rear cargo area. It operates automatically as follows:

- The bulkhead door closes when the vehicle is shifted into **D** (Drive).
- The bulkhead door opens when the vehicle is shifted into **P** (Park) and the driver's seat belt is released.
- The bulkhead door closes and locks whenever the vehicle is locked. This occurs when the driver leaves the vehicle.



To open the bulkhead door manually from the cargo side

1. Pull the unlatch lever that's on the right of the bulkhead door.
2. Pull the bulkhead door handle to the left.



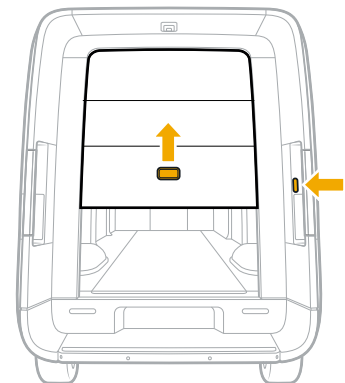
To open the bulkhead door manually from the cabin side

At the bottom of the center display, choose the bulkhead door button . The door opens electrically.

Rollup Door

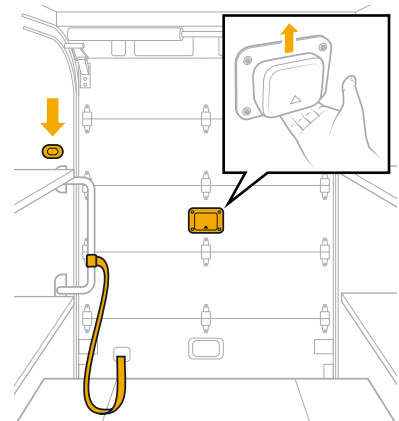
Open from Outside

To open the rollup door from the outside, push the button above the right rear taillight. Push the door up to open fully.

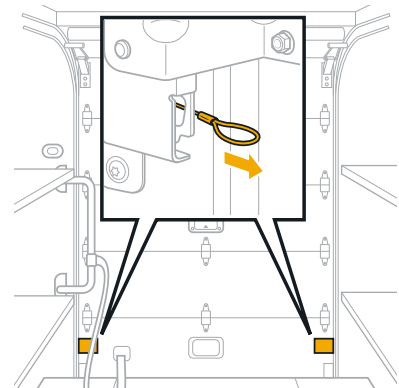


Open from Inside

To open the rollup door from the cargo area, push the button next to the door on the left. Pull the strap or use the handle to start opening the door. You may need to push the door up to open fully.



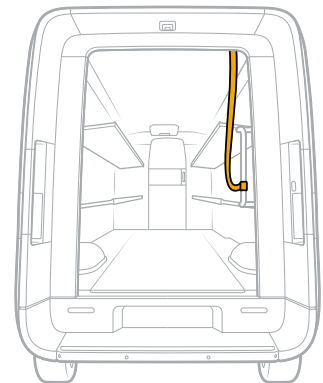
To manually open the rollup door from the cargo area, gently pull the release cable at the lower corners on each side of the door. Pull the strap or use the handle to start opening the door.



Close

To close the rollup door, grab the strap and pull down.

If it doesn't fully close, grab the door handle and push the door down to fully close.



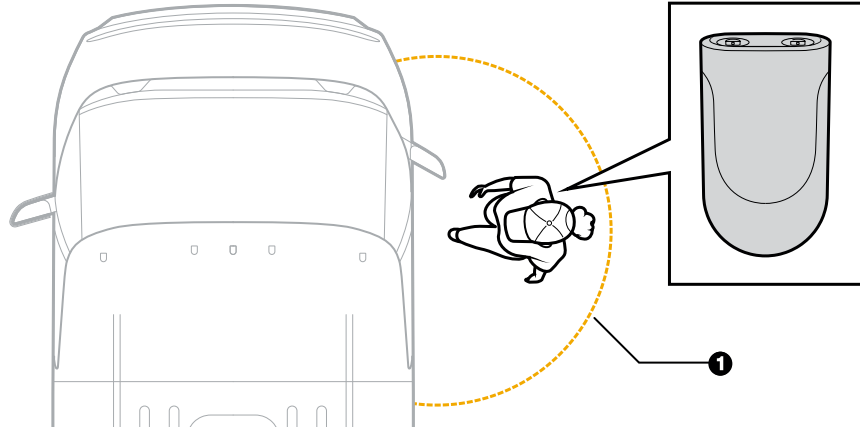
Automatic Lock and Unlock

The key fob automatically locks and unlocks the vehicle. The vehicle can sense when the key fob is near any of the individual doors.



CAUTION

Do not modify the vehicle anti-theft system (immobilizer) or install any add-on equipment. Any modifications or additions can damage the system, causing it to not work properly.



Automatic Unlock

Walk to the vehicle to unlock. Approach the vehicle with the key fob and open the door with the door handle.

NOTE

The vehicle only unlocks the door that is opened. All other doors remain locked.

Automatic Lock

Close the doors and walk away. The vehicle locks when the key fob is out of range.

NOTE

When the key fob is out of range, all doors lock automatically, whether or not the doors are open or closed. If an open door is closed manually while the key fob is out of range, that door will lock automatically.

Doors Lock When Driving

When you start driving the vehicle:

- The driver, curbside, and rollup doors lock.
- The bulkhead door closes and locks as long as it's not blocked.

IMPORTANT




If you try to drive with a door other than the curbside door open, you will see an indicator on the driver display.



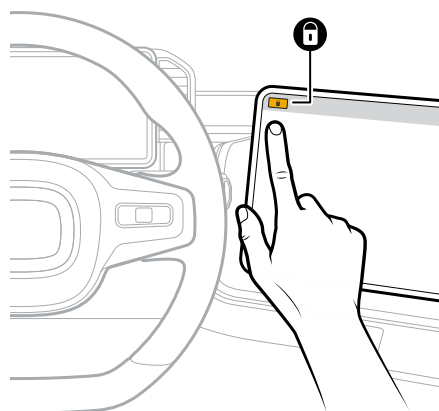
Manually Lock and Unlock

Use the center display or key fob to manually lock or unlock the vehicle.

Center Display

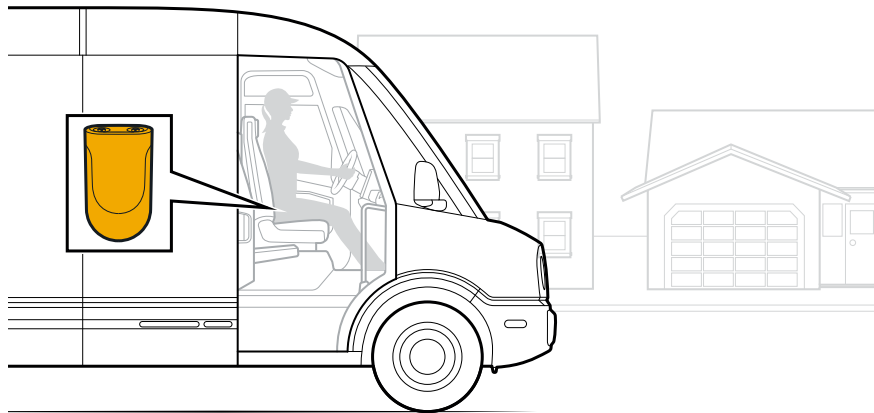
To lock or unlock, press the **Lock/Unlock** button , at the top left corner of the center display. The button changes to show you if the vehicle is locked  or unlocked .

Alternatively, use the **Quick Controls** on the Vehicle Settings menu to lock or unlock the vehicle.



Key Fob

You can also lock and unlock with the [key fob](#).

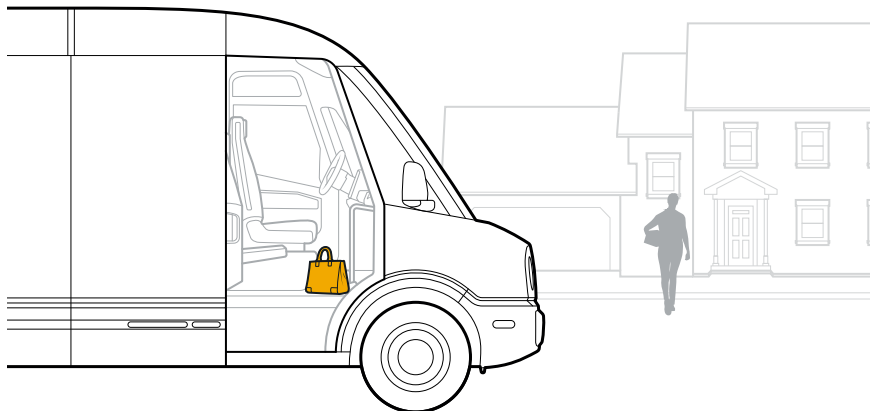


Driving with the Curbside Door Open

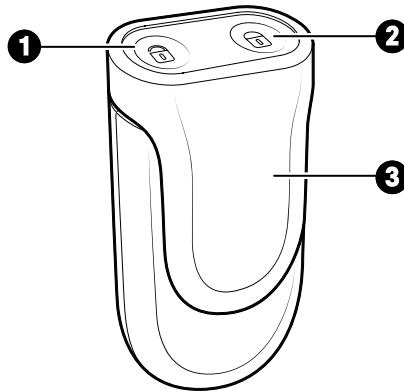


CAUTION

- Maintain a low speed. Be aware of your surroundings.
- Ensure that no valuables or personal items are stored in the front cabin if the curbside door is kept open.
- Keep the area near the bulkhead door clear to ensure that it will automatically open and close. The bulkhead door secures the cargo area and this area cannot be locked if the bulkhead door is blocked.



Key Fob



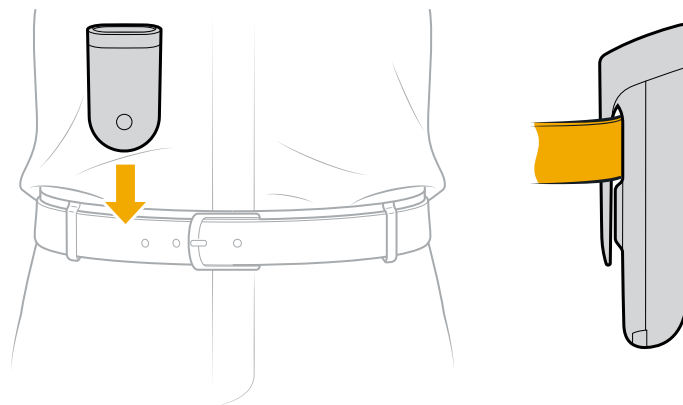
| Item | Description |
|------|---------------|
| 1 | Lock button |
| 2 | Unlock button |
| 3 | Clip |

Key Fob Buttons

Press the lock  button to lock the vehicle.

Press the unlock  button to unlock the vehicle.


Wear the Key Fob



The key fob can save you time and help secure the vehicle.

Wear the key fob, or keep it securely in your pocket. You can clip the key fob onto your pocket, belt loop, or another secure place.

Panic Alarm

Press and hold the lock  button on the key fob to trigger the alarm.

Press either button one time to stop the alarm.

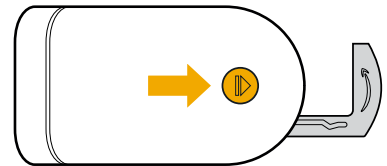
Hidden Emergency Key

Use the hidden emergency key in the following situations:

- Key fob needs a new battery
- Key fob stops working
- 12 V batteries are depleted

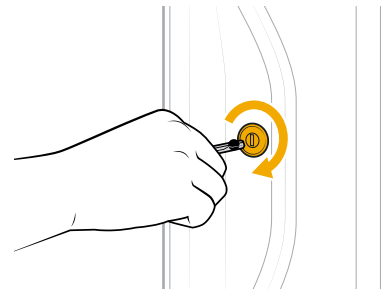
Access the Emergency Key

1. Hold the key fob flat in your hand.
2. Press the round button (on the flat side) to eject the metal key.
3. Pull out the metal key from the bottom.



Use the Emergency Key

If the key fob stops working for any reason or the vehicle's 12 V batteries have discharged, the door can be opened using the emergency key. Insert the metal key into the slot next to the driver door handle. Turn the key to unlock.



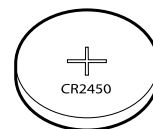
Replace Key Fob Battery

If the key fob battery is low, the vehicle will alert you on the driver display.

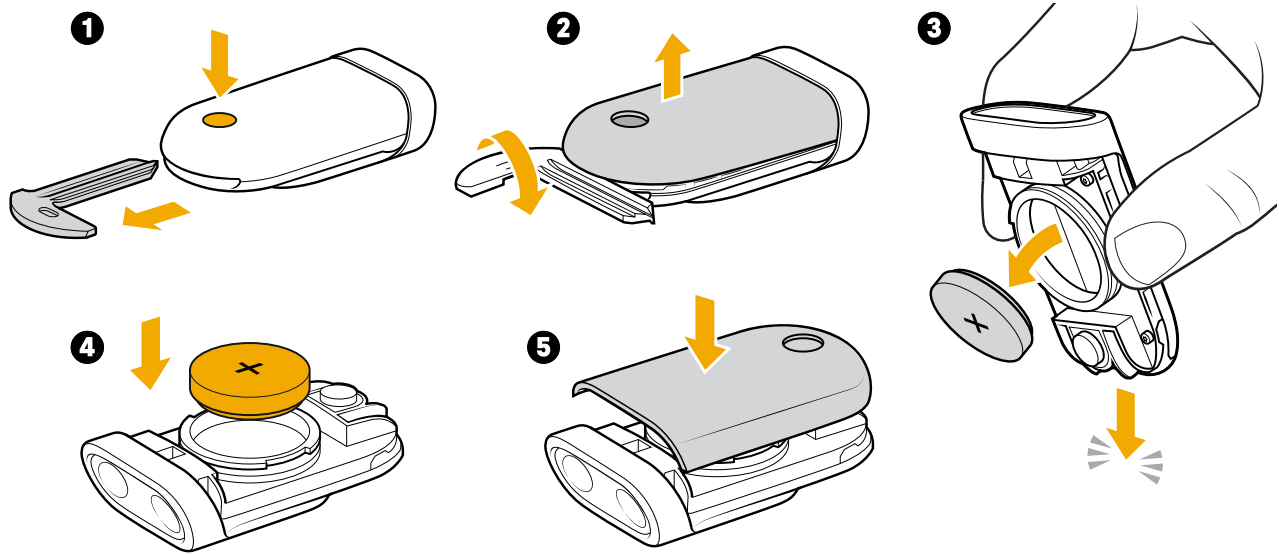
Replace the battery to avoid getting locked out of the vehicle.

Part

- CR2450 (or equivalent IEC60086-4 compliant) coin battery



Steps




1. Hold the key fob on the side that has the clip.
Press the button on the opposite side and remove the emergency key.
2. Use the key or a coin to pry off the battery door.
3. Remove the old battery by turning the fob upside down and tapping it firmly against your palm. Do not use any tools.
4. Insert a new battery in the battery holder with the positive (+) side facing up.
5. Align the case and then push firmly to close it.



WARNING

If the key fob doesn't close securely, stop using the product and keep it away from children. Contact [Rivian Service](#) for a replacement.

NOTES

- Recycle used coin cell batteries at a battery recycling center or dispose in accordance with local laws.
- Key fob environmental storage and operating conditions are -22°F to 122°F (-30°C to 50°C).
- The ISO7000-1641 operator's manual symbol  is printed inside the key fob.



DANGER

- The key fob contains a coin cell battery, which presents a chemical burn hazard. Do not ingest batteries.
- If swallowed, a coin cell battery can cause severe internal burns in two hours and can lead to death.
- If you think batteries might have been swallowed or placed inside any part of the body, seek immediate medical attention.
- Keep new and used batteries away from children.

Key Fob is Not Working

Contact [Rivian Service](#) if one of the following situations occurs:

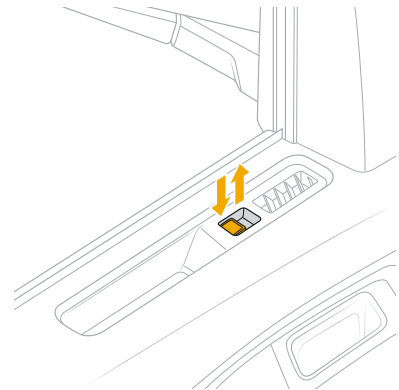
- The key fob's button gets stuck.
- The key fob does not work after replacing the battery.

Windows

Driver Door Window

To open or close the driver door window, use the window switch on the door trim below the window.

- **Open or close:** Push or pull the switch to the first notch to move the window to the desired position.



Curbside Door Window

The curbside door window provides visibility but does not open.

Climate Controls

Heat and Cool

Control the climate using the center display. You can use Auto or Custom mode. Auto is the default and is recommended for maximum comfort.










When the climate system is powered on or at the start of a shift, it is in Auto mode.

You can adjust the temperature setting and remain in Auto mode. To move to Custom mode, either change the fan speed or select a vent location, or the climate system will revert to Auto.


If you close all the vents, the climate system shuts off.

NOTE

The climate system shuts off within a short time if the driver exits the vehicle and leaves the door open. The system runs longer for cabin comfort if the doors are closed while the driver is away.

| Icon | Name | Description |
|---|------------------------|---|
|    | Fan | <p>Choose the Fan button  to access climate settings, which are described in the table below.</p> <p>The Fan button indicates the status of the climate system:</p> <ul style="list-style-type: none"> • Auto: The word AUTO indicates that Auto mode is turned on. • Custom: Bars indicate that Custom mode is turned on. The number of active bars indicates the fan speed. <p>NOTE Red indicates heating. Blue indicates cooling. White indicates air that isn't heated or cooled.</p> |
|    | Defrost/Defog | <p>Clear the windshield.</p> <p>Max: The word DEFROST or DEFOG indicates that the maximum defrost/defog is on. The label under the icon changes between Defrost (hot conditioning) and Defog (cool conditioning).</p> <p>Custom: A single dot indicates that defrost/defog is on.</p> |
|  | Heat folding jump seat | <p>Choose the Heat Folding Jump Seat button  on the far right bottom of the center display to heat the folding jump seat cushion while a passenger sits on it with the seat belt fastened.</p> |






Change Climate Settings

Choose the **Fan** button  to access the following settings:

| Icon | Name | Description |
|---------------|--------|--|
| AUTO | Auto | Use Auto mode if you want the vehicle to automatically change the climate settings to achieve a comfortable temperature. Auto is the recommended setting. |
| CUSTOM | Custom | Turn on Custom mode if you want to manually change the climate settings. |
| OFF | Off | If you turn off the climate system, the vehicle blows no air through the vents. |




Auto Settings












Use **Auto** mode to change the following settings:

| Icon | Name | Description |
|---|----------------------|--|
|  | Increase temperature | Select from five levels of heating. Choose and hold the red Increase Temperature button  for maximum heating. |
|  | Decrease temperature | Select from five levels of cooling. Choose and hold the blue Decrease Temperature button  for maximum cooling. |
|  | Heat steering wheel | Heat the steering wheel. NOTE There is a single on/off setting. |

Custom Settings

Use **Custom** mode to change the following settings:

| Icon | Name | Description |
|---|----------------------|---|
|  | Increase temperature | Select from five levels of heating. Choose and hold the red Increase Temperature button  for maximum heating. |
|  | Heating | The vehicle heats the air blowing through the vents. |

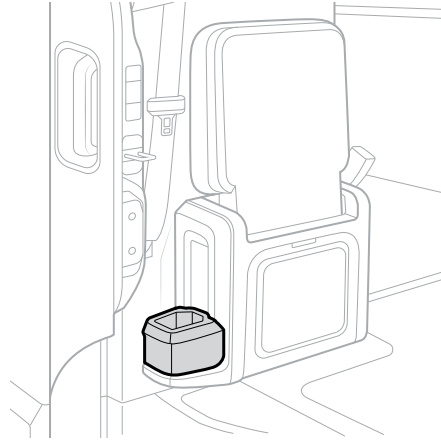
| Icon | Name | Description |
|---|----------------------|--|
|  | Air only | The vehicle blows air through the vents that is not heated or cooled. |
|  | Cooling | The vehicle cools the air blowing through the vents. |
|  | Decrease temperature | Select from five levels of cooling. Choose and hold the blue Decrease Temperature button  for maximum cooling. |
|  | Fan speed | Adjust the fan speed. Select from five levels of fan speed. Choose and hold the Increase Fan Speed button  for the highest fan speed, or choose and hold the Decrease Fan Speed button  for the lowest fan speed. |
|  | Front vents | Turn on the front vents. |
|  | Foot vents | Turn on the foot vents. |
|  | Seat conditioning | Turn on the seat conditioning. |
|  | Heat steering wheel | Heat the steering wheel. NOTE There is a single on/off setting. |

NOTES

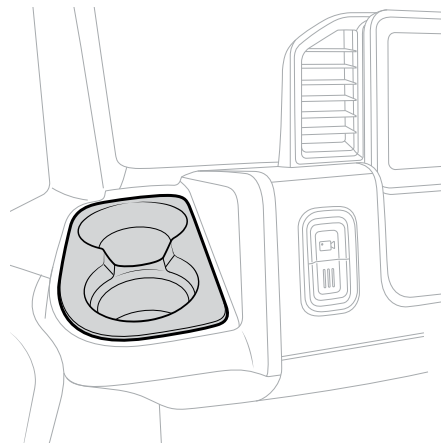
- Keep the bulkhead and curbside doors closed to optimize heating or cooling.
- Heating and cooling settings only apply to the driver area. These settings don't affect the [cargo area ventilation](#).

Cabin Compartments

The vehicle has a cup holder near the floor of the jump seat, close to the door.



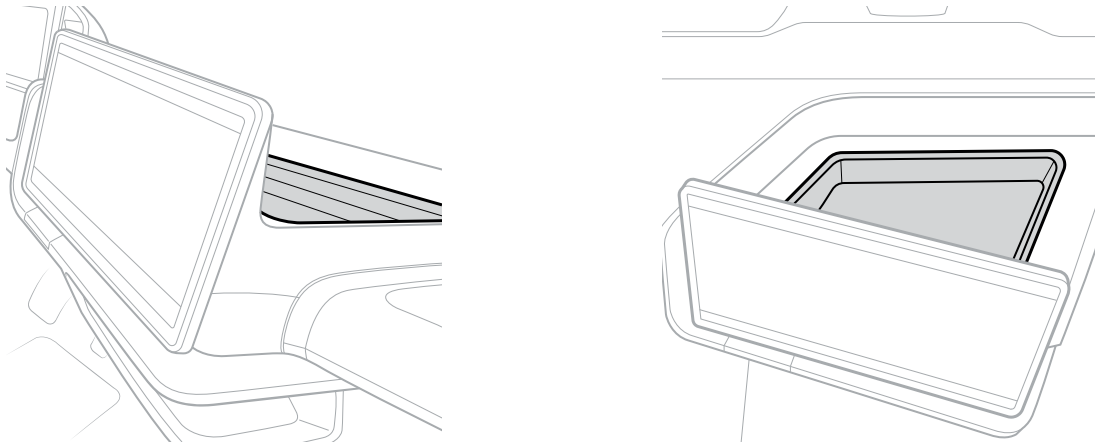
It also has two cup holders on the dashboard to the left of the driver seat.



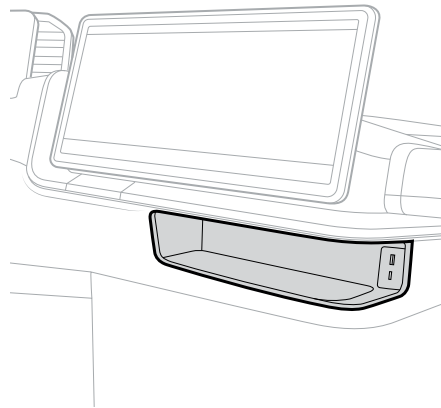
A cutout behind the driver seat includes two large bottle holders. This area is used to store items.



The tray behind the center display can hold mobile devices.



Use the shelf under the center display to store small items.



Wirelessly [charge mobile devices](#) on the trays behind and under the center display.

Store small documents in the compartment behind the jump seat.



Safety and Security

Lights

Exterior Lights

The vehicle has the following exterior lights:

- Turn signals
- Headlights (high beam and low beam)
- Rear fog lights (if equipped)
- Hazard lights
- Brake lights
- Daytime running lights (parking lights)
- Reverse lights
- Rollup door task light

The external light locations are shown in the [Exterior](#) section.

Rollup Door Task Light

This task light shines onto the ground by the rollup door from the rear top of the vehicle. It turns on automatically at night when the door is unlatched while the vehicle is parked.

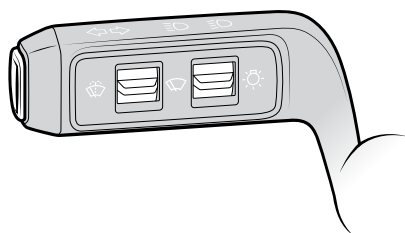
You can also turn the rollup door task light on manually from the vehicle settings page on the center display.

If the exterior task lights are left on either manually from the center display or automatically when the rollup door is open at night, they will turn off when the vehicle is taken out of **P** (Park).

Control the Lights

The lights are controlled by various stalks and buttons in the cabin.

- By default, the lights are controlled automatically.
- Use the stalk on the left side of the steering wheel to activate the turn signals, headlights, and rear fog lights (if equipped).
- The brake lights turn on when you step on the brake pedal or when regenerative braking is working.
- The daytime running lights (parking lights) turn on automatically.
- Press the button under the center display to turn on the hazard lights.
- The reverse lights turn on when you move the drive stalk into the **R** (Reverse) position.
- The rollup door task light turns on automatically when the door is unlatched.

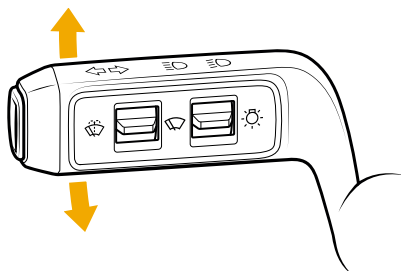


Turn Signals

Push the lights stalk on the left side of the steering wheel up or down to control the turn signals.

Lightly push up or down to flash the turn signals three times. Push up or down until it clicks for continuous turn signals. Turn signals will stop when you move the steering wheel or lights stalk in the opposite direction.

- Push the lights stalk up to indicate a right turn or lane change.
- Push the lights stalk down to indicate a left turn or lane change.



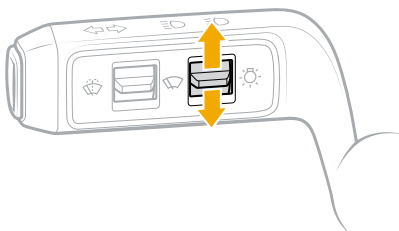
Headlights and Rear Fog Lights

The daytime running lights turn on automatically when the vehicle is running and the lighting mode is set to Auto in daytime conditions.

The headlights and parking lights turn on automatically when the vehicle is running and the lighting mode is set to Auto in nighttime conditions.

To change them manually, toggle the light switch on the lights stalk up to turn the low beams on. Toggle the switch up an additional time to turn on both the low beams and rear fog lights (if equipped).

Toggle down once to return to low beam only and twice to return to Auto mode.



Control the High Beams

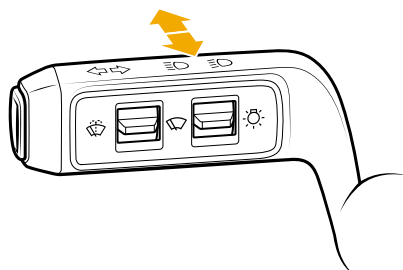
Use the lights stalk on the left side of the steering wheel to control the high beams. High beams increase visibility in dimly-lit areas.

[Auto High Beams](#) are turned on by default. If Auto High Beams are not turned on, do one of the following:

- Push the lights stalk forward to turn the high beams on or off.
- Pull the lights stalk toward you to flash the high beams. High beams will be turned on as long as the stalk is pulled. Release the stalk to turn off the high beams.

NOTE

Auto high beams switch to low beams when an oncoming car approaches or when you approach another vehicle. Auto high beams work only when lighting is set to low beams or Auto mode.






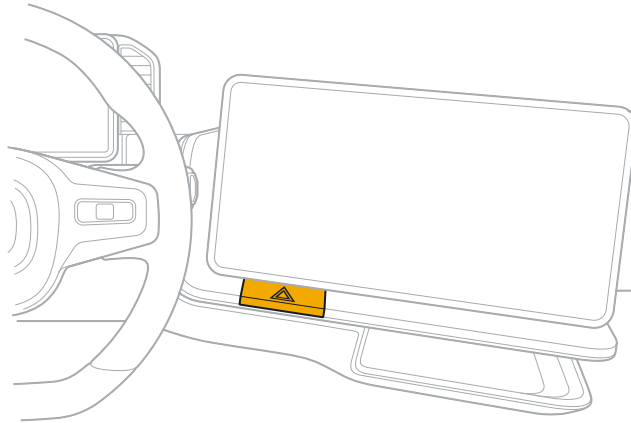
CAUTION

Make sure that high beams are appropriate for the current weather and driving conditions.

Hazard Lights

The hazard lights automatically turn on in the event of a collision or when requested by Driver+ features.

Turn on the hazard lights by pressing the red double triangle button  under the center display once. Press the button again to turn them off.



You can make the hazard lights blink faster to indicate an emergency by turning the hazard lights on and then selecting the vehicle button on the center display and turning on **Emergency Hazard Lights**. Resume normal hazard light action by turning off **Emergency Hazard Lights**.

Interior Lights

Interior lights help you enter and exit the vehicle safely, view cargo, and load or unload cargo safely. The interior lights turn on automatically when any door is opened and turn off automatically when you shift from **P** (Park) to **D** (Drive) or **R** (Reverse).

Use the center display to turn the cabin or cargo lights on and off manually.

Cabin Lights

The cabin contains an overhead dome light in the center of the sun visor as well as footwell and pedal lights. These lights turn on automatically when you enter the cabin and turn off (after a preset time) when all the doors are closed or when you shift out of **P** (Park).

To manually control the cabin lights:

1. Select **Lights** on the center display.
2. Select **Cabin Lights**.
3. Choose a brightness of low, medium, or high.

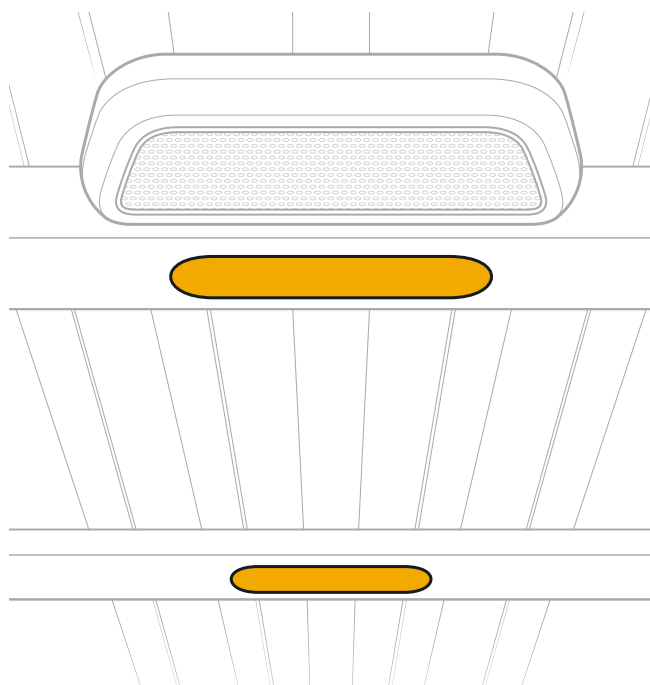
Cargo Lights

The cargo lights are located in the ceiling of the cargo area. When set to the default position on the center display, they turn on automatically when the rollup door or bulkhead door is opened. They turn off when the doors are closed.

The sensor in the windshield automatically sets the light intensity to High during the day and Medium at night.

To override this feature and select a different light setting for the cargo lights, do the following:

1. Select **Lights** on the center display.
2. Select **Cargo Lights**.
3. Set the Auto/Manual toggle switch to **Manual**.
4. Choose a brightness of low, medium, or high.
5. Select **Reset** to return the lighting to the default settings as needed.



Footwell and Pedal Lights

Footwell lights help you enter the vehicle safely on both the driver side and curbside. Pedal lights illuminate the pedal area. These lights turn on automatically whenever either the driver or curbside door is opened and turn off when both doors are closed.

Wipers

Use the windshield wipers to remove rain, other liquids, and light debris from the front windshield.

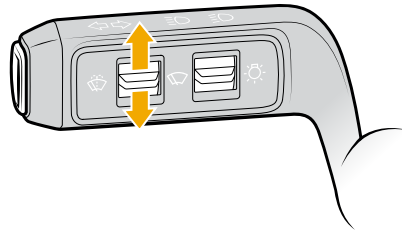
Adjust the wiper modes to any of the following settings:

- Storm (high speed)
- Downpour (low speed)
- Intermittent speeds:
 - Shower
 - Drizzle
 - Sprinkle
- Auto (default setting)
- Off

Change the Wiper Settings

Change the wiper settings with the lights stalk to the left of the steering wheel.

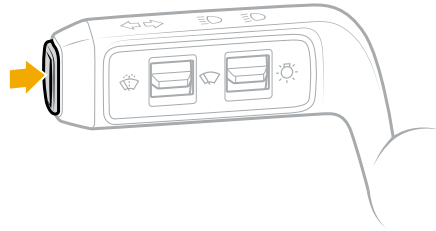
To select a wiper speed setting, toggle the wiper switch on the lights stalk up or down.



Wash the Windshield

Wash the windshield using the lights stalk to the left of the steering wheel. Do one of the following:

- To wipe the windshield once without washer fluid, quickly press and release the button on the end of the lights stalk.
- Press and hold the washer button on the end of the lights stalk to spray and wipe the windshield. To stop, release the button.



Auto Mode

When the wipers are in Auto mode, sensors detect rain on the windshield and turn the wipers on automatically. The wipers run until the windshield is cleared. Auto mode is the default setting.



CAUTION

- In cold weather, turn off the wipers and allow them to return to the default position before exiting the vehicle. The wipers could freeze to the windshield and may cause damage to the wiper motor when restarted.
- Fully defrost the windshield before switching on the wipers.

Seating

Seat Belts




DANGER

Adjust the seat to the proper position before operating the vehicle. Make sure the shoulder belt sits firmly across your chest and shoulder. Don't operate the vehicle if there is a gap between the seat belt and your chest.

To avoid risk of injury or death from sudden stops, collisions, or improper use, do the following:

- Use one seat belt per person.
- Fasten seat belts before the vehicle starts to move to avoid risk of injury from sudden stops or collisions.
- Ensure that all seat belts are fastened securely.
- Ensure that the seat belt isn't worn twisted or reversed.
- Wear the seat belt so that it rests over the shoulder without touching the neck. Don't route the belt behind your back.
- Wear the lap belt as low as possible on your hips.
- Sit well back in the seat and in an upright position.
- Don't tamper with or make modifications to the seat belt that will prevent it from taking up slack, such as using "comfort clips." A slack seat belt could significantly reduce the effectiveness of the shoulder belt in an accident.
- Take care handling the metal portion of the seat belt as it can become very hot in sunny weather.
- Have a service professional routinely inspect all seat belt parts. In case of an accident, we recommend taking the vehicle to a Rivian certified collision center for a safety inspection. In some cases, seat belt parts in use during an accident may need to be replaced, even if there isn't any visible damage.

Seat Belt Reminder

- Fasten the seat belts properly when operating the vehicle.
- If the driver seat belt is unbuckled, the Seat Belt Reminder indicator  lights up on the driver display, and under certain conditions the system also emits an audible warning.
- A heavy object placed on a seat could cause the Seat Belt Reminder indicator light to remain on even when the seat is unoccupied.

Pregnant Driver/Passenger

Wear the lap belt securely and as low as possible over the hips, not over the waist. Wear the shoulder belt between the breasts and to the side of the abdomen.



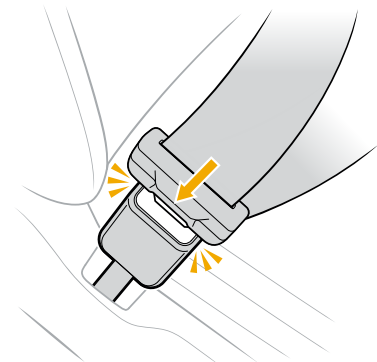
Fasten Seat Belts

1. Adjust the seat to an upright position.
2. Sit with your back and hips against the back of the seat.
3. Hold the tongue plate and pull the belt toward the buckle.

NOTE

Avoid twisting the seat belt, and avoid quick or jerky movements to prevent the belt from locking.

4. Insert the tongue plate into the buckle until you hear a click.
5. Adjust the lap belt to be as low as possible on the hips.



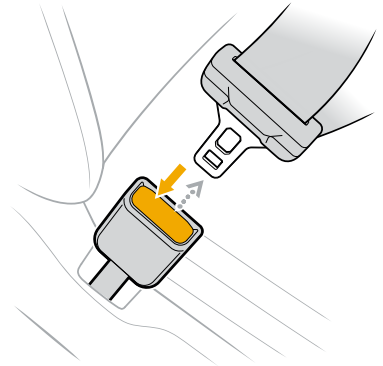


WARNING

The shoulder belt should pass over the middle of the shoulder and across the chest without touching the neck. The seat belts aren't meant to be used with any tension-relieving devices, such as comfort clips. Wearing the belt in an improper position or introducing slack to the belt could significantly reduce its effectiveness in an accident.


Unfasten Seat Belts

1. Press the release button on the buckle.
2. Allow the seat belt to retract slowly to avoid any twists.
3. Ensure that the belt has fully retracted back to its original position to avoid closing the door on the belt or tongue plate.



Seat Belt Pretensioners

The driver's seat belt comes with a pretensioner that will activate along with the airbags during accidents that involve force to the front and sides of the vehicle, including rollover accidents. The seat belt pretensioner will activate to remove slack in the seat belt during an accident to help restrain the occupant. The seat belt pretensioner isn't designed to activate in minor impacts.

If the seat belt pretensioner has been activated or is malfunctioning so that the seat belt can't retract or pull out, the airbag malfunction indicator  will appear on the driver display. For assistance, contact [Rivian Service](#).

Seat Belt Maintenance

Use mild soap with water and a soft cloth to clean surface stains on the seat belt. Inspect the seat belts periodically for signs of damage, including wear and tear. If there are signs of damage or wear and tear, contact [Rivian Service](#).

Don't use bleach or other harsh substances to clean the belts because this can affect their strength and performance. Don't make modifications to the seat belts that would prevent them from properly operating. Installations and modifications to seat belts must be conducted only by Rivian.

Headrests

The driver seat has an integrated headrest that isn't adjustable.

The folding jump seat has a combined backrest and headrest that isn't adjustable.

Airbags

This vehicle is equipped with supplemental restraint system airbags, designed to help protect the driver from injuries. The airbags supplement the crash protection provided by a correctly fastened seat belt. The vehicle is equipped with airbags for the driver and shoulder and lap [seat belts](#) for the driver and passenger.

The airbags are not a substitute for wearing a seat belt. All occupants, including the driver, should wear their seat belts. Failure to use seat belts increases the risk of severe injury or death in the event of a crash.

The airbags don't require routine maintenance. If it is necessary to modify the airbag system for a person with disabilities, contact [Rivian Service](#). The modification may affect the function of the advanced airbag system.



WARNING

- Properly wear seat belts for protection in addition to the supplemental restraint system. Failure to do so, can increase the risk of injury and/or death.
- Do not place your hands or arms on the airbag cover.

Airbag System Status

As you prepare to drive the vehicle, the Airbag Status indicator appears in the driver display for a few seconds during the initial function check when you start the vehicle. After the function check, the Airbag Status indicator turns off. The components in the safety system monitored by the indicator are as follows:

- Driver front airbag, designed to work with a seat belt
- Driver and passenger seat belt with pretensioner and seat belt usage sensors
- Driver seat position sensor
- Driver side airbag
- Driver roof rail airbag
- Front crash sensors
- Side and rollover crash sensors
- Restraints control module
- Restraints warning lamp and tone
- High-voltage disconnect
- Electrical wiring that interfaces with the airbag sensor, seat belts, pretensioners, and high-voltage system
- Chassis stability control sensors

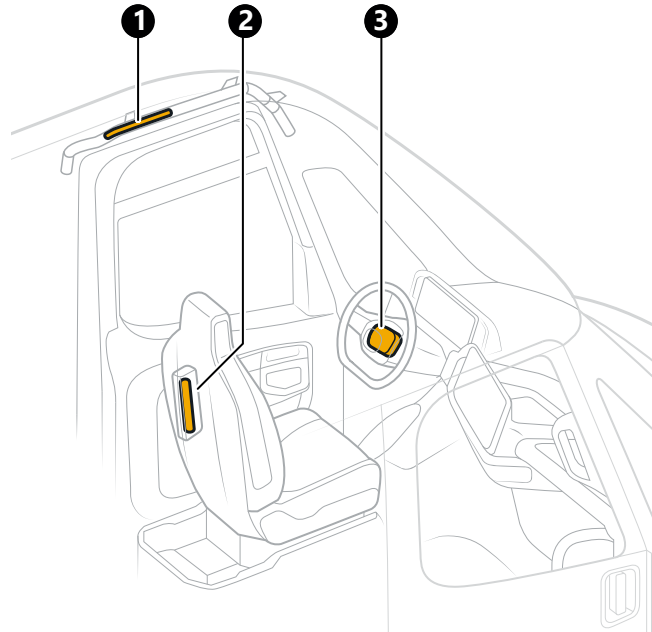
If the airbag system has a fault, the Airbag Status indicator remains on. Contact [Rivian Service](#) for repair.

How the Airbags Work

The airbag system sensors predict the severity of a crash when the crash conditions reach a certain threshold. When the threshold is reached, the specific restraints will deploy. If there is significant collision, the airbags deploy quickly with force and a loud sound. Not all collisions deploy the airbags. For example, certain low severity collisions and rear collisions don't deploy the airbags.

Airbag Locations

Airbag inflators are positioned around the driver's seat in the cabin.



| Item | Description |
|------|-------------------------|
| 1 | Driver roof rail airbag |
| 2 | Driver side airbag |
| 3 | Driver front airbag |

The airbags perform the following functions:

| Location | Function |
|-------------------------|--|
| Driver roof rail airbag | The driver roof rail airbag inflates along the side windows to help protect the driver from a significant side impact, rollover, or near rollover. |
| Driver side airbag | The driver side airbag inflates from the side of the driver seat and deploys in significant side crashes. This airbag may help prevent injury from side impact and some frontal impacts. |
| Driver front airbag | In frontal crashes and crashes with frontal deceleration, the driver front airbag helps protect the driver from frontal impact. |

Warnings

Maintain Distance from Side and Roof Rail Airbags



DANGER

The roof rail and side airbags need room to inflate and could cause severe injury or death if passengers are too close to the airbags. Always wear seat belts, even though you have roof rail and side airbags.

Maintain Proper Positioning



DANGER

Maintain a distance of at least 10 in (25 cm) between the driver's chest and the driver's airbag, as recommended by the National Highway Traffic Safety Administration (NHTSA).

Objects Can Interfere with Airbags



DANGER

- Don't place objects on or near the airbags. Objects in front of the airbags can cause serious injury if the airbags deploy in a severe collision.
- Don't mount equipment or place objects along the interior headliner or on the vertical pillars near the seat belts. Such objects may prevent the side or roof rail airbags from deploying in a severe collision.
- Don't install seat covers. Seat covers could prevent the side airbags from inflating.

Airbag Components May Be Hot After Deployment




WARNING

Some airbag system components, such as inflators, may be hot after airbags are deployed. To reduced the risk of injury, don't touch the airbag system components after inflation.

Deployed Airbags

You won't be able to drive the vehicle after airbags are deployed or if the vehicle has been in a severe rear crash. An internal safety device automatically shuts off the high-voltage system when the airbags deploy. The vehicle will need to be towed to a repair shop and then repaired to drivable condition.

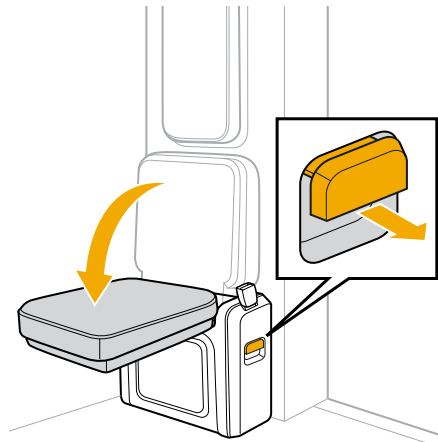
NOTE

The vehicle is equipped with a roof rail airbag. In the event of a rollover (or near rollover) accident in which a front or roof rail airbag deploys, the Airbag Malfunction indicator  lights up in the driver display. Contact [Rivian Service](#) to have the vehicle serviced.

Folding Jump Seat

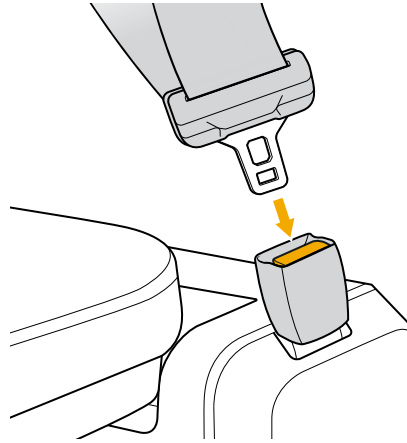
The folding jump seat is a collapsible seat that can be folded down when a passenger needs it and folded up when it's not needed.

Pull the **Pull** lever to release the folding jump seat and fold it down.




Fasten the Seat Belt

After sitting in the folding jump seat, pull down the seat belt and fasten it in the buckle.



To unfasten the seat belt, press the release button on the buckle and allow the seat belt to retract.

Heat the Jump Seat

Choose the **Heat Folding Jump Seat** button  on the far right bottom of the center display to heat the folding jump seat cushion while a passenger sits on it with the seat belt fastened.

Use the Emergency Equipment

You can find a [first aid kit](#) and [tow hook](#) in the compartment under the folding jump seat.

Driver Seat

Wear Your Seat Belt

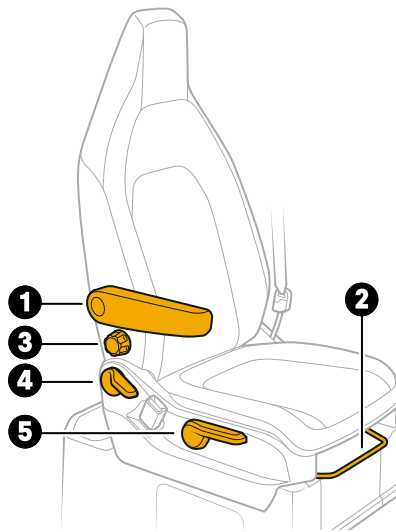
To fasten the seat belt, pull it down and fasten it in the lap buckle.

NOTE



The driver seat detects the presence of a person. If the vehicle is in motion and the seat belt is not fastened, the vehicle sounds an alarm. To turn off the alarm, fasten the seat belt.

Adjust the Driver Seat

Use the controls to adjust seat settings, such as slide (front or back), recline, height, and lumbar support.



| Item | Description | Procedure |
|------|----------------------------|---|
| 1 | Armrest (folding) | Fold up or down as needed. |
| 2 | Slide control (front/back) | Pull up the bar in front of the seat and slide forward or backward. |
| 3 | Lumbar support adjustment | Twist the knob on the side of the seat. |
| 4 | Recline control | Pull the lever on the side and lean forward or backward. |
| 5 | Height control (manual) | Pump the lever up or down to adjust the seat height. Pull the lever up to raise the seat and push the lever down to lower the seat. |

To heat the driver seat, choose the **Fan** button  and select the **Heat driver seat** button  on the center display.

Refer to the [Folding Jump Seat](#) section for information.

Steering Wheel Adjustment

Use the telescope and tilt features to adjust the steering wheel.



WARNING

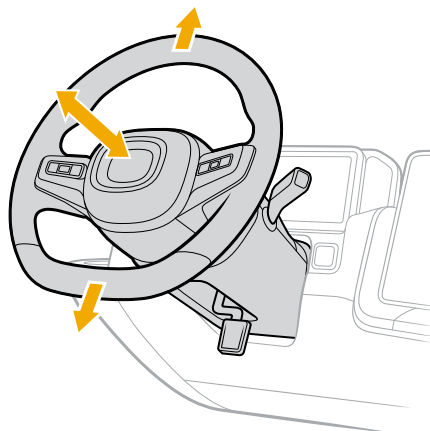
Do not adjust the steering wheel while driving.

Follow these steps:

1. Under the steering wheel, push the adjustment lever down.



2. Move the steering wheel in and out, and up and down.



3. When the steering wheel is in the desired position, pull the lever up to lock the steering wheel in place.



Mirrors and Camera Views

For improved visibility and safety, the vehicle offers four side mirrors and a backup camera. There is also a bird's-eye surround view that is synthesized from the front, rear, and side cameras.

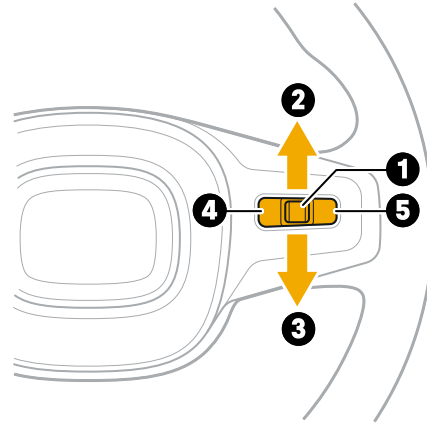
Adjust the Side Mirrors

The driver side has two adjustable mirrors and the passenger side also has two adjustable mirrors.

1. Go to the Vehicle app on the center display and choose **Adjust Mirrors**.
2. Use the thumb control and thumb control buttons on the steering wheel to tilt the mirrors up, down, left, or right.

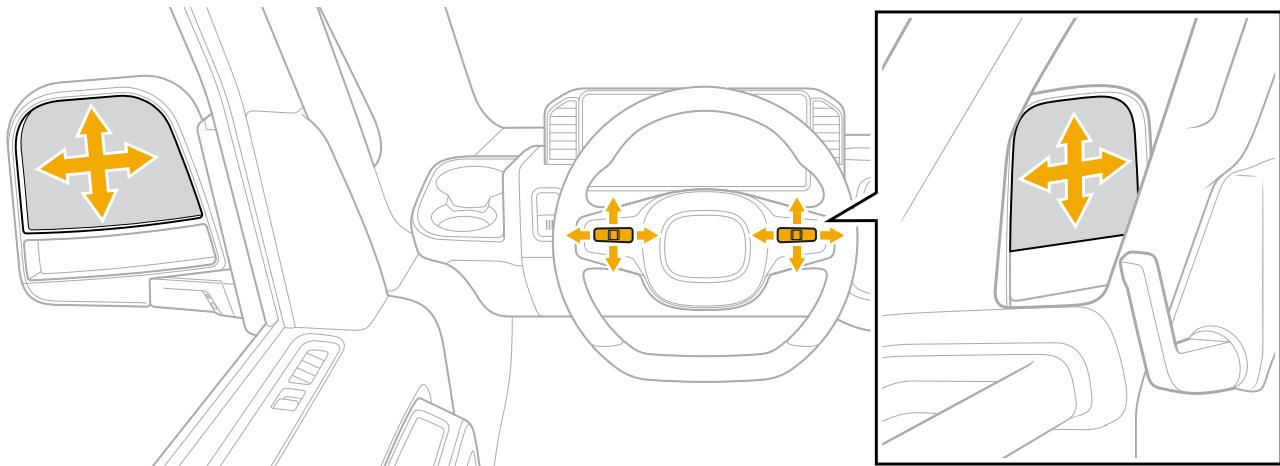
NOTE

Choose the **Restore** button on the center display to return the side mirrors back to their previous positions.



| Item | Control | Function |
|------|----------------------------|------------------------|
| 1 | Thumb control | Tilt mirror up or down |
| 2 | Thumb control up | Tilt mirror up |
| 3 | Thumb control down | Tilt mirror down |
| 4 | Left thumb control button | Move mirror left |
| 5 | Right thumb control button | Move mirror right |

Use the left hand controls to adjust the left mirror and the right hand controls to adjust the right mirror.



Backup and Surround View

The vehicle doesn't have a central rear view mirror. To activate the backup and surround view, shift the vehicle into **R** (Reverse) or roll backward while in **N** (Neutral). This allows a view of the live feed from the rear camera as well as a surround view on the center display when backing up the vehicle.

The backup view is overlaid with steering angle trajectory as well as indications for Rear Cross Traffic Alert (RCTA) to assist with reverse maneuvering.


The backup and surround views remain on the center display for 10 seconds after the vehicle is shifted into **D** (Drive), or until the vehicle reaches 9 mph (14 km/h).


NOTE

You can't override the rear camera view while the vehicle is moving in **R** (Reverse) or rolling backward in **N** (Neutral).

Always-On Rear Camera View

While driving, the center display shows a live feed of the rear camera. There are two options for expanding this view on the center display:

Select the **rear camera view** button  to expand the live feed of the rear camera side-by-side with a surround view.

Select the **rear camera cross traffic view** button  to add additional panels on the left and right of the backup camera view. These show traffic approaching the vehicle from both directions.

The rear camera displays a near view when traveling at less than 10 mph (16 km/h) and a far view when traveling over 10 mph (16 km/h). Tap the center display again to minimize the rear camera view.

Security System



CAUTION

Do not modify the vehicle alarm system or install any add-on equipment. Any modifications or additions can damage the system, causing it to not work properly.

Use the Alarm

The alarm remains enabled by default. To disable the alarm, choose **Safety** from the menu on the center display.

Arm or Disarm the Alarm

The alarm will automatically arm itself under these conditions:

- The driver has enabled the alarm.
- All of the doors are closed and locked.
- The vehicle can't detect anyone inside the cabin.

Alarm Triggers

After it's armed, the alarm can be triggered by the following:

- The vehicle detects motion inside the locked cabin.
- The vehicle detects that a door is opened.
- The vehicle detects that it's tilted, for example, if being towed away.
- Someone activates the panic mode by pressing the **Lock** button on the key fob for two seconds.

After the alarm is triggered, the vehicle can't be driven, the alarm sounds, and the lights flash.

Stop the Alarm

To quiet the alarm, do one of the following:

- Unlock the vehicle with a key to disarm the alarm.
- Lock the vehicle with a key. The alarm remains armed.
- Allow the alarm to time out after 30 seconds. The alarm remains armed.

If the alarm is triggered 10 times by either the motion or tilt sensors, then the respective sensor becomes disabled. The alarm remains armed.

If the alarm sounds for 5 consecutive minutes due to a door remaining opened, the alarm becomes disabled.

Pedestrian Audio Alert

The vehicle emits the pedestrian audio alert sound when traveling below 20 mph (32 km/h) or while driving in **R** (Reverse). This sound helps to alert pedestrians that the vehicle is either in motion or immediately capable of motion. The audio alert activates when the vehicle is shifted out of **P** (Park). The sound gets higher in pitch and louder in volume as the vehicle's speed increases.

NOTE

The sounds of the forward and reverse alerts are different.

Phone and Audio

Phone

Pair a Phone

To use the center display for phone calls, pair a cell phone to the vehicle with *Bluetooth*[®].

Access Bluetooth settings through the Settings menu on the center display.

After a phone has been paired with the vehicle, choose the **More** button for these options:

- Turn access to Phone Calls, Contacts, and Media Audio on or off.
- Disconnect a paired phone.
- Remove a phone.

Receive a Call

Use the center display or the scroll button on the left thumb control on the steering wheel to answer or decline an incoming call, end an active call, or adjust call volume.

To use the steering wheel left scroll button to answer an incoming call:




1. Scroll to accept or decline the call on the menu that appears on the driver display.
2. Press the scroll button to confirm.


If an incoming call interrupts a call that's already in progress, do one of the following:

- End the current call and accept the incoming call.
- Put the current call on hold and accept the incoming call.

To end an active call, press the left scroll button.

On the center display, when two calls are happening at the same time, you can:





- Switch between calls.
- Choose the **Merge Calls** button  to merge the calls.
- Choose the **Mute** button  to mute the vehicle's microphone.
- Choose the **Hang Up** button  to end a call.

To adjust the call volume, use the **Volume** button  in the domain bar on the center display or scroll the left thumb control button on the steering wheel.

Make a Call

To make a call, select a contact or dial a phone number on the keypad on the center display.

When you are on a call, you can:

- Choose the **Keypad** button  to dial a number on the keypad or respond to an automated telephone system.
- Choose the **Mute** button  to mute the vehicle's microphone.
- Choose the **More** button  to add another contact to the current call and create a conference call, or to create a parallel call.
- Choose the **Hang Up** button  to end the call.

NOTE

Support for conference or parallel calls may vary depending on your specific phone and cellular network.

SOS or Emergency Calls

SOS or emergency calls don't require a phone paired using *Bluetooth*[®].

Wi-Fi

The vehicle can be connected to a Wi-Fi[®] network. Connecting to Wi-Fi is useful in areas with limited or no cellular connectivity.

Connect to a Wi-Fi Network

1. Choose the **Wi-Fi** button and the vehicle displays a list of available Wi-Fi networks.
2. Choose the network that the vehicle should join.
3. If a password is required, enter it using the keyboard that appears in the center display. The vehicle automatically saves the password so you won't need to enter it again.
4. If the desired network isn't listed, manually enter the network settings:
 - Network name
 - Password



CAUTION

In the list of available Wi-Fi networks, a lock icon next to the network name indicates that it is secure. When a lock icon does not appear, this indicates the network is not secure and may be a security risk.

NOTES

Ensure your router or extender uses Wi-Fi Protected Access 2-Advanced Encryption Standard (WPA2-AES) encryption for wireless security. The vehicle does not support Temporal Key Integrity Protocol (TKIP) or Wired Equivalent Privacy (WEP) encryption so it does not show or connect to networks using TKIP or WEP.

Ensure the Wi-Fi network does not use a captive portal, which is used by some cafes or hotels to manage Wi-Fi access. The vehicle initially may connect but it will not support internet access through a captive portal. If you have previously saved a captive portal network, remove it from the list of saved networks to prevent an automatic connection.


Wi-Fi Settings

To access Wi-Fi settings, from the **Settings** menu on the center display, choose the **Wi-Fi** button.

Wi-Fi networks are saved automatically. Remove any unneeded networks.

Audio

Adjust the Audio Settings

To adjust the volume, choose the **Volume** button  from the **Music** menu of the center display, or scroll the left thumb control on the steering wheel.

Use the left thumb control left and right buttons on the steering wheel to:

- Choose previous or next stations when listening to FM radio.
- Select previous or next track when listening to *Bluetooth*[®] audio.

Press the left scroll button on the steering wheel to mute or unmute FM radio, or to play or pause media for Bluetooth audio.

Access these and other audio settings using the **Music** menu on the center display.

Device Charging

Charge Ports

Two USB-A and two USB-C power outlets are available in the vehicle cabin.

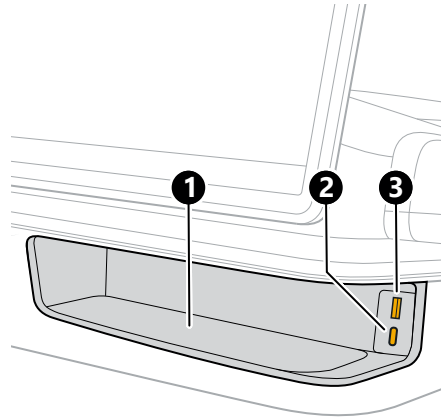
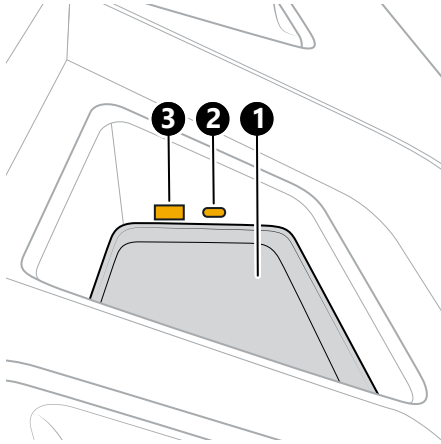
NOTE

The USB-C outlets within the two storage bins of the center console can charge a compatible device and read data.

Wireless Charging

Wirelessly charge mobile devices in the cabin as follows after the vehicle is powered on:

1. Place cell phones and other rechargeable, battery-operated devices face-up on the high-speed wireless charger, which is located on the upper tray of the center console or below the center display.
2. Check the device to confirm that it's actively charging. Charging times may vary depending on the type of device. It takes 2 to 3 hours to fully charge a depleted [phone](#).



| Item | Description |
|------|----------------------------------|
| 1 | Storage bin and wireless charger |
| 2 | USB-C |
| 3 | USB-A |

The charger is designed to work with phones encased in most standard phone cases.

NOTE

The wireless charger uses cooling fans that make a sound as it is actively charging devices.

The charging pad has a temperature sensor and will stop charging if a device or environment is too hot.



CAUTION

The charging pad is meant only for a compatible device with a rechargeable battery, such as a phone. Don't put metallic or magnetic objects there--it can damage the pad. Don't leave items such as NFC or credit cards on the pad--they can prevent the device from charging.

Troubleshooting

| If This Happens | Try This |
|--|--|
| Device is too hot | Remove the device from the charger, wait for it to cool down, and try charging again later. |
| Wireless charger sensor doesn't detect compatible device | <ul style="list-style-type: none"> • Remove the device from the charger, wait a few seconds, and place the device back on the pad. • Slowly move the device around the charger to find proper positioning for charging. |
| Device won't charge | <ul style="list-style-type: none"> • Ensure that the device is 1.2.4 qi-compatible (iPhone® devices, Android™ phones, earbuds). • Ensure that there isn't an incompatible object on the charging pad (such as an NFC card or metal pieces). • Look in the storage pocket of a phone case for items such as coins or credit cards, which should not be on the charging pad. • Respond to any warnings on the center display that indicate that an unauthorized item is on the charging pad. |

Driving

Status Indicators

Function Check

Following a vehicle restart, as a function check, all the status indicators light up for a few seconds when you tap the brake, or when you press the brake to shift out of **P** (Park).



DANGER







If any of the "malfunction" or "system failure" lights stay on or appear after the initial function check, it may be unsafe to operate the vehicle, and it may not be drivable. Contact [Rivian Service](#) to have the vehicle inspected.



















CAUTION







The height of the vehicle is 9 ft 7 in (2.92 m). To prevent damage to the vehicle, drivers should be able to recognize the height of structural overhangs, tree branches, power lines, and other low-hanging objects.

| Icon | Name | Description | Location | Active State |
|------------|--|--|----------------|---|
| | Airbag Malfunction | Airbag system isn't working properly. | Driver display | Solid red |
| ABS | Anti-lock Braking System (ABS) Malfunction | ABS isn't working properly. | Driver display | Solid yellow |
| | Automatic Emergency Braking (AEB) | AEB isn't working properly. | Driver display | Solid yellow |
| | Automatic High Beams | High beam headlights turn on and off automatically for oncoming traffic. | Driver display | Solid blue when on Solid gray when off |
| | Blind Spot Warning (BSW) Malfunction | BSW isn't working properly. | Driver display | Solid yellow |

| Icon | Name | Description | Location | Active State |
|---|---|--|----------------|-----------------|
| BRAKE | Brake Assist Malfunction | Reduced brake functionality. | Driver display | Solid yellow |
| BRAKE | Brake System Malfunction | Critical brake system failure. | Driver display | Solid red |
|  | Door Ajar Indication | One or more vehicle doors aren't fully closed. When this indicator appears, an image shows which doors are open. | Driver display | Solid red |
|  | Electronic Stability Control (ESC) System or Traction Control Malfunction | ESC system or Traction Control isn't working properly. | Driver display | Solid yellow |
|  | Electronic Stability Control (ESC) System or Traction Control On | ESC system or Traction Control is active, improving traction by providing anti-skid support. | Driver display | Flashing yellow |
|  | High Beams | High beam headlights are on. | Driver display | Solid blue |
|  | Lane Departure Warning (LDW) | LDW isn't working properly. | Driver display | Solid yellow |
|  | Lighting Malfunction | One or more of these lights is out: <ul style="list-style-type: none"> • Low Beams • High Beams • Turn Indicators • Rear Fogs • Stop Lights • Parking Lights | Driver display | Solid yellow |

| Icon | Name | Description | Location | Active State |
|---|-------------------------------------|--|----------------|---------------------------|
|  | Limited Performance Mode | Vehicle performance may be limited due to low battery charge, vehicle faults, or cold ambient temperatures. The vehicle is safe to drive but acceleration is limited. | Driver display | Solid yellow |
|    | Low Battery Warning | The vehicle's calculated range is low: <ul style="list-style-type: none"> • Yellow = 50 mi (80 km) • Red = 5 - 30 mi (10 - 50 km) remaining • Red = 0 mi (0 km) | Driver display | Solid yellow or solid red |
|  | Low Beams On | Low beam headlights are on. | Driver display | Solid green |
|  | Low Tire Pressure | One or more tires have low tire pressure. | Driver display | Solid yellow |
|  | Marker Lights | Vehicle lighting system is on, specifically marker lighting. | Driver display | Solid green |
| PARK | Parking Brake On | Parking brake is on. | Driver display | Solid red |
|  | Parking Brake System Malfunction | Parking brake system isn't working properly. | Driver display | Flashing red |
|  | Power Steering Critical Fault State | Critical steering system failure. Loss of power assist. Service the vehicle immediately. | Driver display | Solid red |

| Icon | Name | Description | Location | Active State |
|---|--|---|----------------|-----------------------|
|  | Power Steering Reduced Assist State | Power steering is not functioning correctly. Power Assist may be degraded and some functions may be deactivated. | Driver display | Solid yellow |
| R N P D | PRND | Indicates which gear the vehicle is in: P (Park), R (Reverse), D (Drive), N (Neutral). (Active State color varies depending on day or night mode.) | Driver display | Solid |
|  | Rear Automatic Emergency Braking (R-AEB) | R-AEB isn't working properly. | Driver display | Solid yellow |
|  | Rear Fog Lights | Rear fog lights are on. | Driver display | Solid yellow |
|  | Regen Braking Fault | Regenerative braking reduced. Use brake pedal to slow down. | Driver display | Solid Yellow |
|  | Seat Belt Reminder | Driver's seat belt isn't fastened. | Driver display | Solid or flashing red |
|  | Tire Pressure Monitoring System (TPMS) Malfunction | TPMS system isn't working properly. | Driver display | Flashing yellow |
|  | Turn Indicators | One flashing indicator shows a turn signal is on. Two flashing indicators shows the hazard lights are on. Fast flashing indicates that a bulb is out. | Driver display | Flashing green |

| Icon | Name | Description | Location | Active State |
|---|-----------------------------|--|----------------|---|
|  | Vehicle Hold | Vehicle automatically stays still without applying the brake. (Active State color varies, depending on day or night mode.) Small blue Hold box also appears above the speedometer. | Driver display | Solid |
|  | Windshield Defrost Fault | Windshield defrost system performance is limited and needs to be serviced. | Center Display | Solid yellow |
|  | Windshield Defrost/Defog | Windshield defrost/defog is on or off. | Center display | Solid colors Off: white Defog: blue Defrost: red |
|  | Windshield Washer Fluid Low | Windshield washer fluid is low. | Driver display | Solid yellow |
|  | Windshield Wiper AUTO | The default windshield wiper setting. The vehicle resets the wipers to auto by default. | Driver display | Solid |
|  | Windshield Wiper OFF | Windshield wipers have been turned off. | Driver display | Solid |

Basic Vehicle Operations

Power On or Off

The vehicle powers on when it detects the approach of the key fob and you pull the door handle to open the door.

To power off the vehicle:

1. Stop the vehicle completely.
2. Put the vehicle in **P** (Park).

The vehicle locks the doors and goes to sleep after you walk away with the key fob.

NOTE

The vehicle remains ready when it is charging. It also remains ready if you are sitting inside or accessing the cargo area.

View Odometer

To view the odometer, select the Vehicle icon on the center display, then select **Controls**.

Select a Gear



DANGER

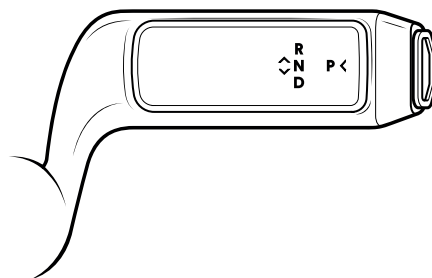
- Always buckle your seat belt before driving.
- Hold down the brake pedal before shifting out of **P** (Park) to keep the vehicle stopped.
- Shift into **P** (Park) before leaving the driver seat, moving around the cabin, or exiting the vehicle.

Use the drive stalk on the right side of the steering wheel to select a gear. The driver display shows the current gear.



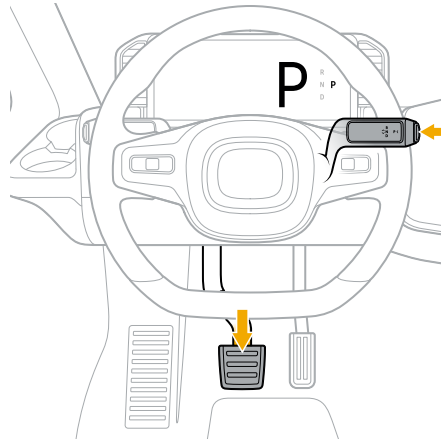
CAUTION

The gear stalk works the same as the light stalk on the left. It selects gears electronically and is different from a standard mechanical gear lever. Press the lever gently when selecting a gear to avoid damaging it.



P (Park)

1. Hold down the brake pedal and make sure the vehicle is completely stopped.
2. Push the button on the end of the drive stalk to put the vehicle into **P** (Park).



NOTES

- The vehicle has an electronic parking brake, which automatically engages under certain conditions, such as after 10 minutes in P (Park) at the end of a shift, or if the vehicle is parked on a steep grade.
- If you need to immediately secure the vehicle with the electronic parking brake, press and hold **P** (Park) at the end of the drive stalk for 5 seconds.
- The vehicle doesn't have any separate parking brake handle or pedal.

IMPORTANT

You can't shift out of **P** (Park) in these situations:

- A charge cable is connected to the vehicle.
- The brake is not pressed.
- A driver is not seated properly in the driver seat.
- The key fob is not in the vehicle.
- An error causes a [status indicator or warning](#) to appear on the driver display.

R (Reverse)

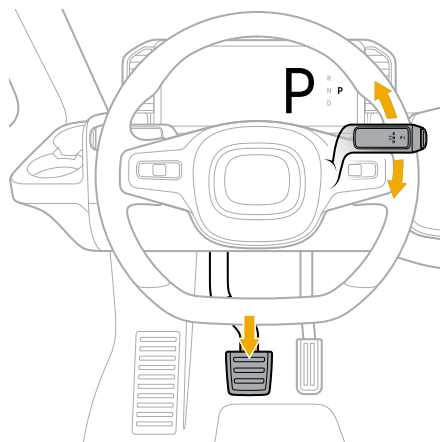
1. Hold down the brake pedal. Ensure the vehicle is completely stopped.
2. Push the drive stalk all the way up and then release to put the vehicle in **R** (Reverse).

N (Neutral)

1. Press and hold the brake pedal to keep the vehicle from rolling.
2. Push up the drive stalk to shift into **N** (Neutral).

D (Drive)

1. Hold down the brake pedal.
2. Fully push down and release the drive stalk to shift into **D** (Drive).



Stop Driving

To stop driving, put the vehicle in **P** (Park) again.

1. Hold down the brake pedal.
2. Press the **P** (Park) button at the end of the drive stalk.

Regenerative Braking

When you lift your foot off the accelerator pedal while the vehicle is moving, it causes regenerative braking. This slows the vehicle down and charges the battery, and may illuminate the brake lights. The brake lights do illuminate during heavy deceleration. Reducing pressure on the accelerator pedal increases the rate of deceleration.

Using the accelerator pedal to move forward and to stop the vehicle (with regenerative braking) is known as one-pedal driving. It improves battery range and reduces brake pad wear.



CAUTION

- If the battery is fully or near fully charged, regenerative braking may be reduced. Press the brake pedal to stop the vehicle.
- Regenerative braking may vary due to battery state of charge, cold weather, vehicle load, or other factors.

Vehicle Hold

Vehicle Hold brings the vehicle to a stop and holds it stationary. There is no need to press the brake pedal. The Hold icon appears on the driver display when this feature is turned on.



If there is no pressure on the accelerator pedal or brake pedal, the vehicle automatically slows down and stops. After the vehicle has been stopped for 10 minutes, it automatically shifts into **P** (Park) and engages the electronic park brake. To resume driving, shift into **D** (Drive).

The vehicle automatically shifts into **P** (Park) if the driver exits the vehicle when Vehicle Hold is active.



CAUTION

The center display indicates if Vehicle Hold isn't available, or if the vehicle is on a steep grade where Vehicle Hold can't engage. In this situation, use the brake pedal to bring the vehicle to a stop and shift into **P** (Park) before getting out of the vehicle. See [Emergency Stop](#) if normal braking functions don't work.



CAUTION

If an error occurs while the vehicle is stationary due to Vehicle Hold, the vehicle automatically shifts into **P** (Park).

If an error occurs 3 consecutive times when attempting to shift out of **P** (Park), Vehicle Hold is disabled. Contact [Rivian Service](#).

Drive Controls

Anti-Lock Braking System

The anti-lock braking system prevents the wheels from locking up while braking. It allows greater control of the vehicle during sudden stops or on slippery or low-grip surfaces. The anti-lock braking system works automatically and is a part of the [braking system](#).

Electronic Stability Control

The Electronic Stability Control (ESC) system helps the vehicle maintain stability by providing anti-skid support. It also helps stabilize the vehicle by applying the brakes when the vehicle over- or under-steers. When the vehicle detects sliding or skidding, ESC activates automatically.


[Status indicators](#) for anti-lock braking or electronic stability control may appear on the driver display when these features are activated or are not working properly.

Horn

Press the center hub of the steering wheel to sound the horn. The horn will function when the vehicle is powered on.



Navigation


Overview

Choose the compass button  on the center display to open Navigation. Use Navigation to do the following:

- Browse and search the map
- Select and start navigation to one or more destinations

Navigation ends your trip when you park your vehicle near the destination.

When you select a destination, the top one or two estimated fastest routes appear on the map, along with driving times and distances. Choose the **Navigation Settings** button  to the right of the map to set your navigation preferences such as guidance volume, map view, and traffic overlays. Choose the **Map Styles** button  to the right of the map to toggle on and off the satellite view.


Choose the **Feedback** button  to share feedback about your navigation experience or charging stations that you view or visit. The **Feedback** button is available on the map or on a location details screen. A panel appears for you to select categories for feedback. Tap on a selected category to deselect it. Be sure to **Send** your feedback before closing the panel.

NOTES

- Available categories on the feedback panel differ depending on where you access feedback.
- Feedback is not available if you're offline or haven't accepted sharing location.


Though not as detailed as when you're online, map and navigation data is still available if you happen to be out of a network area.

Charging Stops

You can toggle to hide or show charging stations by choosing the **Charging Stations** button  to the right of the map on the center display.

- View information about a charging station by choosing a charger pin. Information includes type of station, location, distance, speed, and availability (if the station provides this status), as well as a charging score. These charging scores, based on plug-in data gathered from Rivian vehicles that visit the site, range from A to F, with A indicating the most reliable. Go to **Details** in the charging station dialog for more information about the station and its score.
- Customize your view of charging stations on the map with the filter buttons at the top for Speed, Network, and chargers to hide (for example, out-of-order sites, charging stations incompatible with Rivian vehicles, or those that need charging adapters).

If your vehicle doesn't have enough charge to reach a destination, charging stops are added to your trip to ensure sufficient range.

1. Choose the **Chevron** button  to view Trip Details such as recommended charge times and charge speed. Choose a charging site to see more details.
2. Choose **Go** to begin navigation.

If you prefer not to charge at the charging stops, choose **Remove Charging Stops** on the Trip Details panel. This removes all charging stops from your route.


NOTES

- Battery range estimate for a route is based on your vehicle configuration, selected drive mode, and the route conditions (such as elevation, weather, and your driving speed).
- As you navigate to a charging stop along a selected route, the vehicle may heat or cool the battery pack to ensure that it reaches its most optimal charging temperature by the time you arrive at the stop. This helps facilitate the fastest possible charge time. When this occurs, you will see a message on the Navigation screen and on the driver display.

Add Stops



Add multiple stops along your route and during trip planning for a customized navigation experience. You can also use the Rivian Mobile App and Google Maps™ to send a multi-stop trip directly to your vehicle.

From Map


Before a trip, search for an address or location on the on the center display's map and choose the **Chevron** button  to access the Trip Details screen.

From Active Navigation Guidance

During an active guidance session, there are several ways to add a stop:

- On the panel for estimated time of arrival, choose the **Add** button  to add a new stop as your immediate next destination.
- On the panel for estimated time of arrival, choose the **Chevron** button  to view the Trip Details screen.

From Charging Overlay


On the center display's map, tap on a charging stop and choose **Add Stop** to add it as a stop. You can toggle on the charging filter to the right of the map to view charging stops, shown as lightning bolts  on the map.

NOTE

You can add a stop from the charging overlay before your trip or during active navigation guidance.



Edit Stops

Edit the stops in your list from the Trip Details screen:

- Add more stops by tapping on the "Add Stop" search field.
- Reorder a stop by pressing and holding and then dragging the stop up or down the list. You can reorder items in the list before adding a stop.
- Choose the **Edit** button  at the top of the Trip Details screen for more ways to edit your trip.

Remove Stops

There are several ways to remove a stop from your list:

- On the Trip Details screen, remove a stop by swiping left.
- On the Trip Details screen, tap on a stop to view the location details screen and choose **Remove Stop**.
- On the Trip Details screen, choose the **Trash Can**  that appears once you drag around a stop.
- On the Edit Trip screen, choose the **Trash Can**  next to a stop.

Range Restriction and Fleet Data

This vehicle may send data to a fleet management system.

In those systems, fleet managers can typically view the location of the vehicle on a map. They may be able to see speed, drive state (Park, Drive, Reverse, Neutral), sensor notifications, and other details about the vehicle.

Fleet management systems may send notifications to fleet managers if the vehicle enters or exits a particular geographic area.

Driver+

Park Assist

Park Assist provides alerts if there are objects near the rear of the vehicle while it's backing up at a low speed. Park Assist uses six sensors on the rear of the vehicle. There are sensors on each corner of the rear bumper and four on the rear step. As the vehicle moves closer to an object, visual warnings on the center display turn from yellow to red, while the audible warnings change from a slow pulse to a more-urgent continuous tone.

If visual or audible warnings activate, visually assess the environment and objects around the vehicle before proceeding.

The driver display shows three zones for the front and rear of the vehicle as it moves forward and backward. Note the following:

| Color | Beeping Sound | Location |
|--------|-------------------|-----------------------|
| Yellow | Single short beep | Farthest from vehicle |
| Orange | Series of beeps | Nearer to vehicle |
| Red | Continuous beep | Right next to vehicle |



WARNING

- Park Assist is not a substitute for using the mirrors or for careful driving.
- Do not depend on Park Assist alone to ensure that the area the vehicle approaches is free of objects or people.
- Always visually inspect the area.
- Depending on Park Assist alone to determine if the vehicle is approaching an obstruction can result in damage to the vehicle, objects, and pedestrians, and can potentially cause serious injury.
- Park Assist may not detect children, pedestrians, bicyclists, animals, or objects located below the bumper. It may not detect objects that are too close or too far from the vehicle.

NOTES

- When the driver doors are open, the visual and audible warnings for the driver side are disabled.
- When the rear rollup door is open, drivers will not receive visual and audible warnings.

Limitations

In certain conditions, the performance of Park Assist may be limited. Limitations include not providing warnings or providing false warnings. Some conditions that can limit performance include:

- Mud, dirt, snow, ice, or slush that blocks the sensors
- Inclement weather such as heavy rain or snow
- When another fast-approaching vehicle passes
- Outside temperatures being too high or too low
- Excessive noise or vibration such as from a nearby jackhammer



WARNING

- Keep the sensors clear of mud, dirt, snow, ice, and slush. This can prevent the system from providing unnecessary or false warnings.
- In freezing temperatures, clean the sensors after washing the vehicle.
- Do not cover the sensors with any items, including stickers, magnets, protective films, or fabrics.

A blockage or malfunction detected by Park Assist appears as a notification on the left side of the driver display.

Surround View

Surround View uses four cameras to display what's around the vehicle at slow forward and reverse speeds. It shows the area in front of, in back of, and on the sides of the vehicle. Surround View appears on the center display next to the backup camera view.

Select **R** (Reverse) on the drive stalk to view the backup camera. It shows objects that are close to the vehicle.

Surround View adds a bird's eye view of all areas within about 6 ft (1.8 m) around the vehicle.

NOTE

If the rear-view feed is selected for the display when the vehicle is moving faster than 10 mph (16 km/h), the display adds a forward view below the reverse view and Surround View.

Adaptive Cruise Control

Adaptive Cruise Control (ACC) maintains a target speed and automatically accelerates and brakes to keep an appropriate distance from the other vehicles that are ahead in the current lane. ACC can bring the vehicle to a complete stop and automatically resumes when the vehicle in front moves forward.



WARNING

When Adaptive Cruise Control is turned on, always monitor traffic and driving conditions and be prepared to steer or brake if needed. This feature is designed to support the driver and doesn't replace the driver's attention, judgment, and need to control the vehicle. ACC is not intended for use in residential areas.

Adaptive Cruise Control Hold

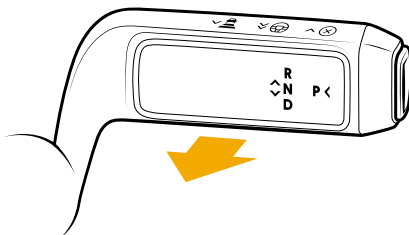
When Adaptive Cruise Control is turned on, it causes the vehicle to stop when the traffic in front of it also stops. If the vehicle is stopped for at least 5 seconds, ACC pauses. To resume ACC after a pause, lightly press the accelerator pedal.

NOTE

After Adaptive Cruise Control pauses for 10 minutes, it turns off and the drive stalk automatically shifts to **P** (Park).

Turn On Adaptive Cruise Control

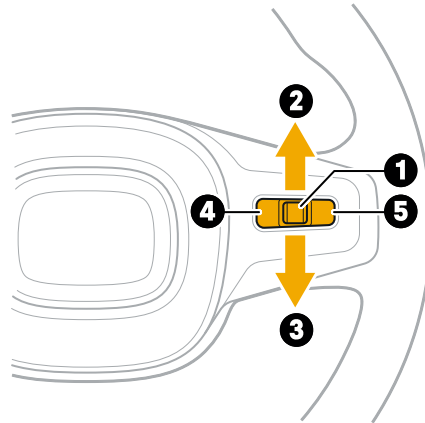
To turn on Adaptive Cruise Control, pull the drive stalk toward you once and release. The vehicle chimes once and sets the current speed as the target speed. The target speed is displayed in a circle at the top of the driver display.



To set a new target speed, perform one of the following:

- Press the buttons on the right side of the steering wheel to increase (5) or reduce (4) the target speed.
- Accelerate to the new desired target speed, pull the drive stalk toward you, and release.

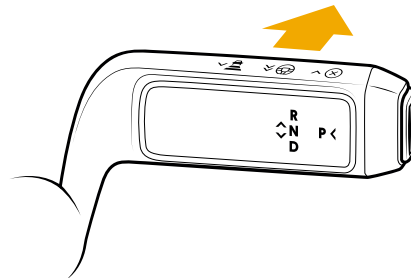
To change the following distance, move the thumb control up (2) to increase the distance or down (3) to decrease the distance.



| Item | Control | Function |
|------|----------------------------|--|
| 1 | Thumb control | Described below |
| 2 | Thumb control up | Increase following distance |
| 3 | Thumb control down | Decrease following distance |
| 4 | Left thumb control button | Reduce speed <ul style="list-style-type: none"> • Quick press - reduce target speed by 1 mph (1 km/h) increments • Long press - reduce target speed to nearest 5 mph (10 km/h) increment |
| 5 | Right thumb control button | Increase speed <ul style="list-style-type: none"> • Quick press - increase target speed by 1 mph (1 km/h) increments • Long press - increase target speed to nearest 5 mph (10 km/h) increment |

Turn Off Adaptive Cruise Control

To turn off Adaptive Cruise Control, push the drive stalk away from you and release, or press the brake pedal.



NOTES

- When Adaptive Cruise Controls is turned on, accelerate the vehicle by pressing the accelerator pedal. After releasing the accelerator pedal, ACC resumes operation automatically.
- When ACC is no longer turned on, the vehicle may slow down because of regenerative braking if the accelerator isn't pressed down.

Operating Conditions

| Adaptive Cruise Control | Condition |
|-------------------------|---|
| Can be turned on | <ul style="list-style-type: none"> • When traveling within the activation speed range of 20 - 70 mph (32 - 113 km/h). • When traveling below 20 mph (32 km/h) and there is a vehicle ahead within sensing range • Lane lines are clearly visible • Seat belt must be fastened • All doors must be closed |
| Cannot be turned on | <ul style="list-style-type: none"> • When traveling below the minimum activation speed and there's no vehicle ahead withing sensing range. • When traveling above the maximum activation speed |



CAUTION

Adaptive Cruise Control may turn off without warning or become unavailable due to heavy rain or snow or if direct light is shining into the front camera.

NOTES

- Adaptive Cruise Control can be turned on if the vehicle speed is below 20 mph (32 km/h) and there is a vehicle ahead within the sensing range.
- ACC reduces vehicle speed in curves if the set speed is too high for safely maneuvering the turn.
- ACC does not account for posted speed limits. Drive responsibly and adjust the target speed according to the posted speed limit.

Limitations

In certain conditions, Adaptive Cruise Control may be limited and exhibit degraded performance. In this case, ACC may either brake when it's not required or not brake for vehicles and objects. These conditions include, but are not limited to:

- External elements such as mud, dirt, snow, ice, and slush block the sensors
- Outside temperature is too high or low
- The vehicle is traveling on uneven surfaces
- The windshield is fogged, scratched, cracked, or otherwise damaged
- Strong light (such as direct sunlight) shines onto the front of the vehicle
- The vehicle is traveling on sharp curves or hilly roads
- The vehicle travels too closely to a vehicle ahead in the same lane, or another vehicle cuts into the lane
- A vehicle or object is partially present or driving in the lane ahead, for example in a merge lane or auxiliary turn lane
- After changing lanes, there is a stationary or slow-moving vehicle or object ahead

System Malfunctions

In the event of a blockage or malfunction, the driver display notifies the driver that Adaptive Cruise Control is unavailable if the driver attempts to turn on this feature.

If Adaptive Cruise Control is turned on when a blockage or malfunction occurs, visual and audible sensors notify the driver to take control of the vehicle.

Don't Obscure the Adaptive Cruise Control Camera or Radar



WARNING

- The ACC camera is located behind the windshield at the center of the dashboard. ACC may turn off or be unavailable if the windshield in front the front camera is dirty. Keep it free of debris, mud, and snow. Don't place stickers or films on the windshield that obscure the front camera.
- The ACC front radar is located above the front bumper, behind the fascia grill. Keep the area clean and don't apply stickers or install metal plates.



WARNING

- ACC may be degraded while traveling on sharp curves or hilly roads. Always be ready to take control.
- ACC is only an assist feature and not a substitute for careful driving. This feature is not designed to avoid collisions in all situations.

Curve Speed Assist

Curve Speed Assist (CSA) provides additional safety and comfort to Adaptive Cruise Control when driving on curvy roads. CSA adjusts the vehicle's speed based on road curves and the driver's steering input.

When CSA is on, a curvy arrow displays to the right of the set speed.



NOTE

Curve Speed Assist operates only when ACC is on, and not during manual driving.



CAUTION

- Curve Speed Assist is designed to support the driver and does not replace the driver's attention, judgment, or control of the vehicle.
- In certain conditions, such as a high-speed approach to a curve or a road with sharp curves, CSA may not reduce speed sufficiently. Do not rely solely on CSA to control the vehicle.
- CSA does not monitor posted speed limits.

Curve Speed Warning

Curve Speed Warning (CSW) provides a visual graphic on the driver display and audio alerts if the vehicle speed is too high while driving through a curve.

CSW operates between 15 - 70 mph (24 - 113 km/h).



CAUTION

Curve Speed Warning is designed to support the driver and does not replace the driver's attention, judgment, or control of the vehicle.

Limitations

In certain conditions, Curve Speed Warning may not provide warnings or may provide false warnings. These include:

- Inclement weather, such as heavy rain or snow
- Traveling on loose surfaces, such as gravel or sand
- Traveling on uneven surfaces

Auto High Beams

Auto High Beams (AHB) turns the high beams on and off based on surrounding conditions. When active, AHB switches between high and low beams based on the outdoor lighting conditions and when the vehicle detects other vehicles ahead of it. This reduces glare for drivers of oncoming or preceding vehicles. Also see [Control the High Beams](#).

Functionality

Auto High Beams use the forward-facing camera to sense vehicle traffic, ambient light, and road conditions to turn the high beams on or off.

Auto High Beams function in low-light road conditions when there are no light sources detected from headlights or taillights from other vehicle headlights, as well as street lamps.

Conditions to Activate

| Feature | Condition |
|-----------------|--|
| Auto High Beams | The lights are not in Parking Lights or Off mode. <ul style="list-style-type: none"> • AHB is turned on in the Safety Settings menu • Activation speed is 25 mph (40 km/h) • Deactivation speed is 18 mph (29 km/h) |

NOTE

If pedestrians or bicyclists are detected, Auto High Beams may not switch the headlights, or it may delay switching the headlights.

Use Auto High Beams

To turn on Auto High Beams, do the following:

1. On the center display, tap the Vehicle icon and then select **Safety**. Turn on AHB.
2. Push the lights stalk away and release it.
 - During use, if AHB is turned on and the high beams are on, push the light stalk away to trigger the low beams and turn off AHB.
 - During use, if AHB is turned on but the high beams are off, push the light stalk away to trigger the high beams and turn off AHB.

To turn off Auto High Beams, do one of the following:

- Push or pull and release the lights stalk. Doing this turns off the high beams, but the AHB setting in the Safety screen remains on.
- Turn off the AHB setting on the **Safety** screen on the center display.

Limitations

In certain conditions, the performance of AHB may be limited. Limitations include not switching the state of the headlights. Some conditions that can limit performance include:

- Mud, dirt, snow, ice, or slush blocking the sensors
- Inclement weather such as heavy rain or snow
- Outside temperatures being too high or too low
- The windshield being fogged, scratched, damaged, cracked, or otherwise damaged
- Traveling on sharp curves or hilly roads
- Being passed or approached by vehicles that have damaged or broken lights
- Light reflecting from road reflectors and street signs

Rear Cross-Traffic Alert

Rear Cross-Traffic Alert (RCTA) provides visual warnings on both the driver and center displays as well as audible warnings when the vehicle is in **R** (Reverse) or rolling backward in **N** (Neutral). It also senses vehicles that are approaching the vehicle from behind and on either side.



WARNING

Rear Cross-Traffic Alert only provides support to the driver and does not replace the driver's attention and judgment.

Functionality

Rear Cross-Traffic Alert warns the driver that vehicles are crossing their path while backing out of perpendicular and/or angled parking spaces. The system uses radar sensors on the sides of the car at the rear to detect vehicles approaching from either direction.

The system operates:

- When an approaching vehicle is within approximately 82 ft (25 m) from the left or right side of the vehicle
- If the vehicle speed is 0 - 6 mph (0 - 10 km/h)
- If the relative speed (the difference between the vehicle's speed and that of an approaching vehicle) is in a range of 2 - 18 mph (4 - 30 km/h)

NOTES

- Depending on the approaching vehicle's speed, the detection range may vary.
- The alert warning turns off automatically when the vehicle is no longer present or detected in the zone.

Limitations

Under certain conditions, Rear Cross-Traffic Alert may fail to provide a warning or provide a false warning, due to the following:

- Mud, dirt, snow, ice, or slush blocks the sensors
- Heavy rain or snow is falling
- A fast-approaching vehicle
- Guard rails, trees, or parked cars along the road
- Slow-moving objects, such as pedestrians, pets, or shopping carts
- An uneven road surface
- Objects or vehicles parked close to the vehicle

If RCTA is not working, the following message appears on the rear view camera on the center display:

"Rear cross-traffic warning unavailable"

Lane Safety

Lane safety includes two features:

Lane Departure Warning (LDW) alerts the driver if the vehicle begins to move too close or crosses the lane markers without a turn signal on. LDW features audio alerts, steering wheel vibration, and a visual graphic on the driver display that shows which side of the lane that the vehicle is drifting toward.

Lane Keeping Assist (LKA) momentarily steers the vehicle toward the center of the lane if the vehicle drifts too close or crosses lane markers without a turn signal on.



WARNING

These features are designed to support the driver and do not replace the driver's attention, judgment, and need to control the vehicle. Drivers are required to keep their hands on the steering wheel at all times. Visually check that no vehicles are present in the blind spots before changing lanes.

Functionality

Lane Departure Warning automatically turns off its warnings:

- When the system detects that the front wheels are not about to cross the inner edge of the lane marking
- When the front wheels are not about to cross the road edge
- When the turn signal is turned on in the direction of the lane crossing

Conditions to Activate

| Feature | Condition |
|------------------------|---|
| Lane Departure Warning | Lane markings and road edges are clearly visible. |
| Lane Keeping Assist | Vehicle is within the activation speed range: <ul style="list-style-type: none"> • Minimum activation speed is 40 mph (64 km/h) • Maximum activation speed is 70 mph (113 km/h) |
| Lane Keeping Assist | Lane Departure Warning is turned on. |

Limitations

In certain conditions, the performance of LDW and LKA may be limited. Limitations include not providing warnings or providing false warnings. Some conditions that can limit performance include:

- Mud, dirt, snow, ice, or slush blocking the sensors
- Inclement weather such as heavy rain or snow
- Outside temperatures being too high or too low
- Traveling on uneven surfaces
- Limited visibility from the windshield being fogged, scratched, damaged, cracked, or otherwise affected
- Strong light (such as direct sunlight) is shining onto the front of the vehicle
- Traveling on sharp curves or hilly roads

If the feature isn't working properly, the LDW status indicator appears on the driver display.



Blind Spot Warning

Blind Spot Warning (BSW) provides an alert when vehicles are detected in a blind spot. A warning appears on the driver display and side view mirrors. If the turn indicator is on, the warning graphic on the driver display changes color and plays an audible alert.



WARNING

Blind Spot Warning is designed to support the driver and does not replace the driver's attention, judgment, and need to control the vehicle. Visually check that no vehicles are present in the blind spots before safely changing lanes.

Functionality

Blind Spot Warning provides visual and audible warnings. It uses the corner radars to detect vehicles in the blind spot zone, and provides a warning when the vehicle is approaching or overtaking moving vehicles in either the left or right lane.

BSW activates when the vehicle travels faster than 18 mph (29 km/h) and detects vehicles in the blind spot zone. It warns you if the relative speed (the difference between your vehicle and a passing or approaching vehicle) is less than 12 mph (20 km/h).

BSW automatically turns off the warnings when vehicles are no longer detected in the blind spot zone.

Conditions to Activate

| Feature | Condition |
|--------------------|---|
| Blind Spot Warning | <p>Another vehicle is detected within the blind spot zone on either side of the vehicle.</p> <p>Vehicle is within the activation speed range:</p> <ul style="list-style-type: none"> • Minimum activation speed is 18 mph (29 km/h) • Maximum activation speed is 70 mph (113 km/h) |

Limitations

In certain conditions, the performance of Blind Spot Warning may be limited. Limitations include not providing warnings or providing false warnings. Some conditions that can limit performance include:

- Mud, dirt, snow, ice, or slush blocking the sensors
- Inclement weather such as heavy rain or snow
- Being passed by a fast-approaching vehicle

- Changing lanes
- Passing guard rails, tunnels, trees, or parked cars while on a narrow road
- Outside temperatures being too high or too low
- Having motorcycles, shopping carts, or small cars in the blind spot zone
- Traveling on uneven roads, high-grade or bank roads, or roads with different lane heights



WARNING

- Keep the sensors clean of mud, dirt, snow, ice, and slush to prevent degradation.
- In freezing temperatures, clean the sensors after washing the vehicle.
- Keep the sensors clean to avoid the system not detecting objects or unnecessarily warning the driver.
- Do not cover the sensors with any items, including stickers, magnets, protective films, or fabrics.

If BSW isn't working properly, the BSW status indicator appears on the driver display.



Collision Mitigation

Collision Mitigation includes three features that work together:

- **Forward Collision Warning (FCW)** detects a potential frontal collision with other vehicles or pedestrians on the road. It provides you with audio and visual warnings in addition to a steering wheel vibration to help the driver take immediate corrective action.
- **Automatic Emergency Braking (AEB)**, when enabled, automatically applies the brakes to help mitigate or prevent a collision if the driver doesn't react in time to a warning.
- **Dynamic Brake Support (DBS)** provides additional braking when the driver doesn't press the brake pedal hard enough to prevent an imminent collision.

AEB does not engage in the following conditions:

- Under hard acceleration
- The driver turns the vehicle sharply
- The vehicle is not within operating speeds for AEB
- The vehicle determines that there is no potential for a frontal collision

When AEB is engaged and actively braking, the following conditions will disengage it:

- The driver pushes the accelerator hard to override the AEB
- The driver turns the vehicle sharply
- The driver pushes the brake pedal down hard and then releases it
- The vehicle determines that there is no a potential frontal collision

NOTE

The system automatically turns off the warnings when it no longer detects a potential collision. Make sure that the windshield and front of the vehicle are free of any blockage or debris to avoid issues.



WARNING

- FCW, AEB, and DBS are designed to support the driver and don't replace the driver's attention, judgment, and need to control the vehicle.
- AEB gives priority to the driver's braking if they decelerate faster than the AEB deceleration.
- The brake pedal moves downward when AEB engages. Ensure that the brake pedal isn't obstructed in any way for AEB to function.
- FCW and AEB may provide alerts or actively brake as a response to certain traffic conditions such as road debris, traffic signs, overpasses, guard rails, bridges, tunnels, metal plates on the road, and other non-moving objects. In these situations, if it is safe to do so, the driver can override AEB by pressing the accelerator pedal firmly.
- Keep the windshield, headlights, front camera, and front radar sensors in good condition and clean from obstructions such as dirt, debris, stickers, metal plates, etc. AEB may not detect people or cars ahead if the front camera or front radar sensors are blocked or malfunctioning.



WARNING

FCW and AEB may not work or function as expected in certain environments and driving situations that include, but are not limited to, the following:

- Being cut off by another vehicle
- Following another vehicle too closely
- When vehicles in front turn
- When detecting narrow vehicles such as motorcycles or bicycles, or other objects such as lampposts or trees
- Low visibility conditions such as nighttime, heavy fog, snow, or rain
- Unpaved roads, high curvature roads, and off-road terrain
- Steep grades and rapid grade changes

Operating Conditions

| Feature | Condition |
|-----------------------------------|--|
| Forward Collision Warning (FCW) | The vehicle is within the activation speed range: <ul style="list-style-type: none"> • Minimum activation speed of 5 mph (8 km/h) • Maximum activation speed 70 mph (113 km/h) |
| Automatic Emergency Braking (AEB) | FCW is turned on The vehicle is within the activation speed range (same as FCW) |
| Dynamic Brake Support (DBS) | The vehicle is traveling above the minimum activation speed of 6 mph (9 km/h) |

NOTES

- DBS is only available if AEB is enabled.
- The driver can deactivate DBS by releasing the brake pedal while DBS is active.

Limitations

FCW, AEB, and DBS may be limited and exhibit degraded performance in certain situations. This may prevent these features from providing warnings, or cause them to provide false warnings. This could also result in braking or not braking at inappropriate times. Some conditions that can limit performance are as follows:

- External elements such as mud, dirt, snow, ice, and slush block the sensors
- Bad weather conditions, such as heavy rain or snow, create slippery road conditions
- The outside temperature is too high or low
- The vehicle is being driven on an uneven surface
- The windshield has become fogged, scratched, snow damaged, cracked, or covered with dirt, frost, snow, or dust
- Strong light (such as sunlight) shines onto the front of the vehicle
- An object suddenly appears in the direct path of the vehicle
- The vehicle is being driven on a road that has sharp curves or is hilly

Blockage and Malfunction

If the feature isn't working properly or turned off, the AEB status indicator appears on the driver display.



Rear Automatic Emergency Braking

Rear Automatic Emergency Braking (R-AEB) is a low-speed feature that detects a potential collision with objects behind the vehicle while it is backing up. The feature provides audible and visual warnings along with steering wheel vibrations. R-AEB automatically applies the brakes to mitigate or prevent a collision if the driver does not react in time to warnings.

The feature activates when:

- The vehicle speed is less than 5 mph (8 km/h)
- The vehicle is in **R** (Reverse) or rolling backward in **N** (Neutral)

When R-AEB is active, it deactivates when either of the following conditions are met:

- The vehicle speed is more than 6 mph (10 km/h)
- The vehicle is in **P** (Park) or in **(D)** Drive

NOTE

R-AEB is unavailable for 10 seconds after a warning or brake intervention, during which a notification and an indicator on the driver display appears.



R-AEB does not engage in the following conditions:

- The driver presses the accelerator pedal hard
- The vehicle is not in **R** (Reverse) or in **N** (Neutral)
- The vehicle is not within the operating speeds of the feature
- The vehicle determines that there is no risk of rear collision
- R-AEB applied brakes or provided warnings within the last 10 seconds

When R-AEB is actively braking and providing warnings, the following conditions cause it to disengage:

- The driver presses the accelerator pedal hard
- The driver presses the brake pedal hard and releases it
- The vehicle is not in **R** (Reverse) or in **N** (Neutral)
- The vehicle is not within operating speeds of the feature
- The vehicle determines that there is no risk of rear collision



WARNING

- R-AEB is designed to support the driver and does not replace driver attention, judgment, and the need to control the vehicle.
- R-AEB gives priority to the driver's braking if they decelerate faster than the AEB deceleration.
- The brake pedal moves downward when R-AEB engages. Ensure that the brake pedal is not obstructed in any way for AEB to function.
- Keep the rear bumper and the sensors in a good condition and clear from obstructions such as dirt, debris, and stickers. R-AEB may not detect objects if the sensors are blocked or malfunctioning.

Limitations

R-AEB may not work as expected in certain situations that include, but are not limited to, the following:

- There is a fast-moving object in the rear
- An object in the rear is too thin
- While backing onto ramps or steep grades
- While backing towards curbs
- When backing on an unpaved road with gravels
- When there is rain or snowfall
- Mud, dirt, snow, ice, or slush blocks the sensors
- Excessive noise or vibration such as from a nearby jackhammer

If the feature isn't working properly, the R-AEB indicator appears on the driver display.



Charging

Charge a Vehicle

Start a Charge Session



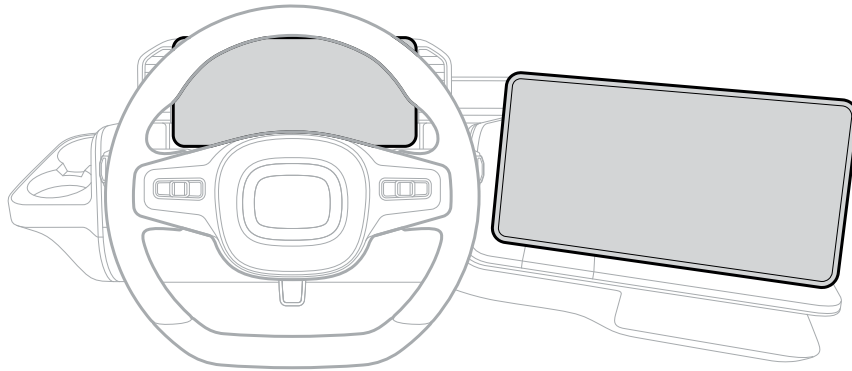
DANGER

Starting a charge session with foreign debris lodged in the charge plug or charge port can cause charging session error or overheating. In rare circumstances, extreme overheating can cause a fire. Only start a charge session after checking that the charge plug and charge port are clear of foreign debris. Failure to do so can result in property damage, serious injury, or death.

To start a charge session:

1. Park at the charger and shift the vehicle to **P** (Park).
2. On the vehicle exterior, push on the charge port door to open it.
3. Plug the charging cable into the vehicle charge port.
4. Examine the charge port. The button should start pulsing white when you plug in fully. It will change to pulsing green when the vehicle is charging.

Look for charging data on the driver and center displays inside the vehicle.



NOTE

Charging may not start immediately if the charger is on a timed [schedule](#).

Charging Status

Charging status displays on the driver and center displays when the vehicle is charging.

- Current range in miles or kilometers
- Charging status
- Percentage charged (%)
- Rate of charge in kW (how fast the battery is charging)

The button at the charge port also indicates the charging status:

| Button Color | Status |
|-----------------|--------------------|
| White (solid) | Ready |
| White (pulsing) | Starting to charge |
| Green (pulsing) | Charging |
| Green (solid) | Charge complete |
| Red (solid) | Not working |

NOTE

When the vehicle is fully charged, it enters sleep mode and the solid green light turns off.

IMPORTANT

If the light is red, unplug the charger and plug it in again. If it still doesn't work, contact [Rivian Service](#).

Time to Charge

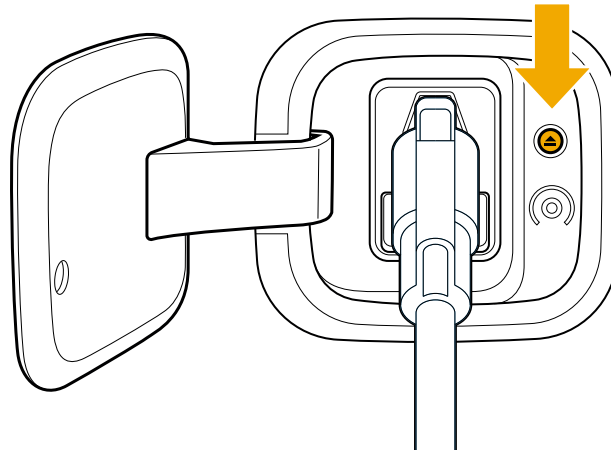
The time the vehicle needs to charge varies depending on these factors:

- Power voltage
- Current
- Air temperature outside the vehicle
- Battery temperature

Stop a Charge Session

To stop a charge session:

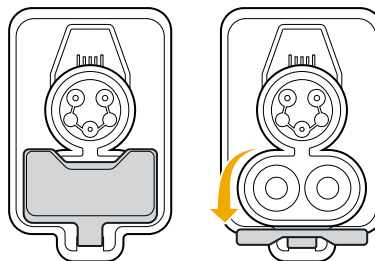
1. Unlock the vehicle.
2. Choose **Stop Charging** from the center display or press the stop charge button at the charge port to stop charging.



3. Unplug the charging cable.
4. Close the charge port door.

DC Fast Charging

DC plugs are larger than AC plugs. Lower the cover on the charge port before you plug in, then [start a charge session](#) as normal.



Unplug from a DC Fast Charger

1. Press the charge port button to release the charging cable.
2. After you unplug, lift the flap to cover the charge port before you close the charge port door.

Charging

IMPORTANT

DC charging is fast, but it can affect the life of the vehicle's battery if it is done too frequently.

Public Chargers

IMPORTANT

Fleet vehicle drivers are responsible for contacting their managers before charging a vehicle at any off-site charger.

Use a J1772 or CCS plug to charge the vehicle at any public charger.

Payment and Instructions

Public chargers may require third-party payment or have use restrictions. Fleet vehicle drivers are responsible for following instructions from their managers and employer in addition to following the instructions at the public charger.

Charge a Fleet

Fleet managers can compensate for a limited power supply by:

- Charging a subset of vehicles at one time, when charging is complete, rotate to the next subset
- Lowering the charging throughput of all vehicles at once

Consult documentation about your chargers for more information.

Low Battery

When the battery is low, charge as soon as possible. The vehicle gradually reduces its power consumption to conserve energy as range decreases.

| Battery Status | Recommendation | Effect on Vehicle |
|----------------------|--|---|
| Battery low | Find a charger. | Battery icon turns yellow. |
| Battery very low | Find a charger. | Battery icon turns red. Vehicle performance decreases. |
| Battery almost empty | Charge the vehicle. | Vehicle performance decreases. |
| Battery empty | Bring the vehicle to a safe stop if a charger is not in range. Then, contact a manager for assistance. | Accessory power (such as climate control and phone charging) is only available for a short time as the vehicle shuts down completely. |



CAUTION

- If the battery is almost empty, charge the vehicle immediately.
- If the vehicle is unplugged for an extended time, it may not charge without jump starting or replacing the 12 V batteries.
- Leaving the vehicle unplugged for an extended period can also damage the battery permanently.
- If the vehicle cannot be charged, contact [Rivian Service](#).



DANGER

Never attempt to open or tamper with the vehicle battery. Contact [Rivian Service](#) for battery service.

Maximize Range

What is Range

Range is the distance (in miles or kilometers) a vehicle can travel before it needs to charge.

What Reduces Range

Factors that may reduce range:

- Excessive speed
- Aggressive acceleration
- Extreme cold
- Extreme heat
- Steep hill climbs
- High-wind conditions
- Cargo load
- Uneven surfaces
- Using the [heating and cooling](#)
- [Charging devices](#), such as phones, tablets, or laptops
- Driving with the windows or doors open

How to Maximize Range

To maximize range:

- Inflate tires to the [recommended tire pressure](#).
- Use [regenerative braking](#) instead of the brake pedal to slow the vehicle. This can even add range.
- Keep the windows and doors closed.
- Drive conservatively.
- Stay on well-paved routes and avoid driving steep uphill roads.

Battery Life

To maximize battery life beyond the warranty:

- Avoid draining the battery completely.
- If the vehicle will not be driven for an extended period of time, leave it plugged in. When parked, the vehicle uses some power to maintain battery health.
- For additional information, see [Maximize Range](#).

The vehicle battery may lose some capacity over its lifetime. See the vehicle Warranty for details.

Cargo Area

Cargo Shelves and Area

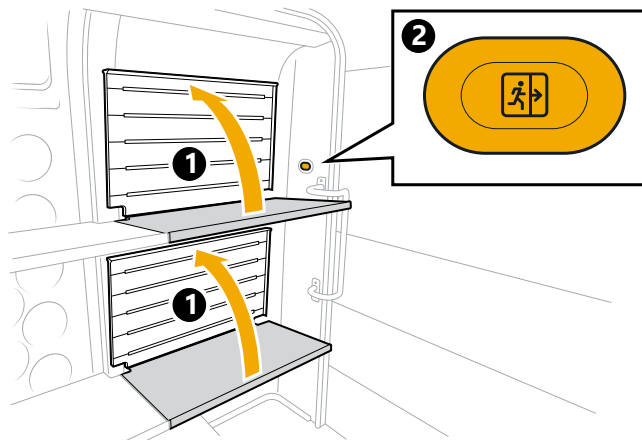
The cargo area may be equipped with fixed and folding shelves.

Reposition the Cargo Shelves

Lift the optional folding shelves so that they are flush to the wall. This is useful when storing oversized or oddly shaped packages.

To lift a shelf:

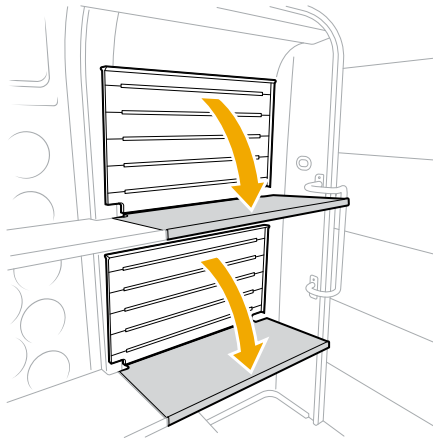
- Lift the shelf so it is against the wall and locks into place.



| Item | Description |
|------|----------------------------|
| 1 | Folding shelves |
| 2 | Rollup door release button |

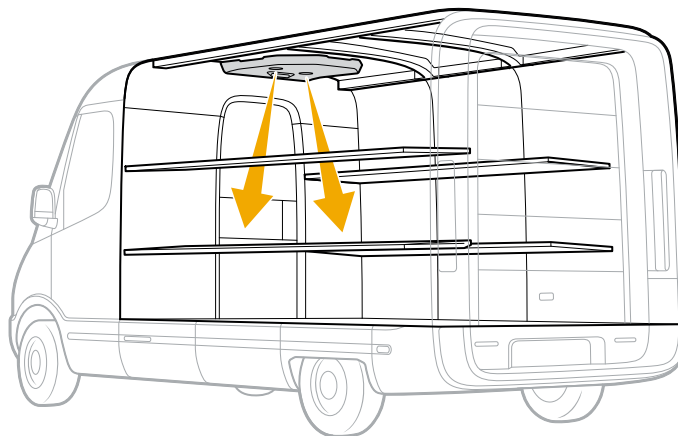
To lower a shelf:

- Lower the shelf so it is perpendicular to the wall and locks in place.



Cargo Area Ventilation

The cargo vent uses two fans for ventilation.



The cargo vent can be set to On, Off, or Auto. Select **Vehicle** in the domain bar and choose the **Cargo Fan** button.

When set to Auto, the cargo vent automatically turns the fans on or off, depending on the temperature inside the cargo area and other conditions.

- The fans turn on only when the driver is inside the vehicle and the bulkhead door is closed.
- The fans turn off when the vehicle is in **P** (Park) and the driver is away from the vehicle.

NOTE

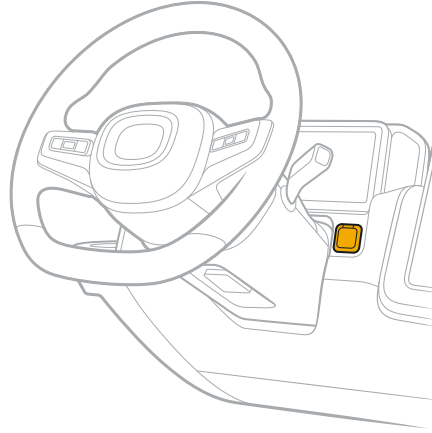
When the ambient temperature is high, the fans may run for a long time.

Cargo Area

| Cargo Area Temperature | Fan Status |
|------------------------|---------------|
| 100°F (38°C) or above | Fans turn on |
| Below 96°F (36°C) | Fans turn off |

Emergency and Roadside

SOS Button and Emergency Calls



The SOS button is located to the right of the steering wheel base.

Press the SOS button to reach a 24/7 national call center that assess the situation, route your call appropriately, and dispatch help if necessary. The call center professional calls for assistance from first responders if needed when there's an emergency, such as after an accident. First responders include police, firefighters, and medical personnel.

If the vehicle detects that a significant collision has occurred, it will automatically initiate an SOS call.

The audio system suppresses background noise so you can focus on the call. Your current location is displayed on the center display while the call is in progress in case the call center operator can't locate your vehicle and you need to communicate this information.

The SOS feature works as long as it's in a cellular coverage area, even if a cell phone is not inside the vehicle.

Contact Roadside Assistance for situations in which first responders are not needed, such as when the vehicle has broken down or needs to be towed.

NOTE

- If the emergency call center can't be reached, press the SOS button to try the call again.
- If the driver makes an SOS call while on another phone call, the SOS call will end the other phone call.
- If SOS is accidentally triggered, cancel the call on the center display within seven seconds of initiating the SOS call.
- The SOS button doesn't work outside of the United States.

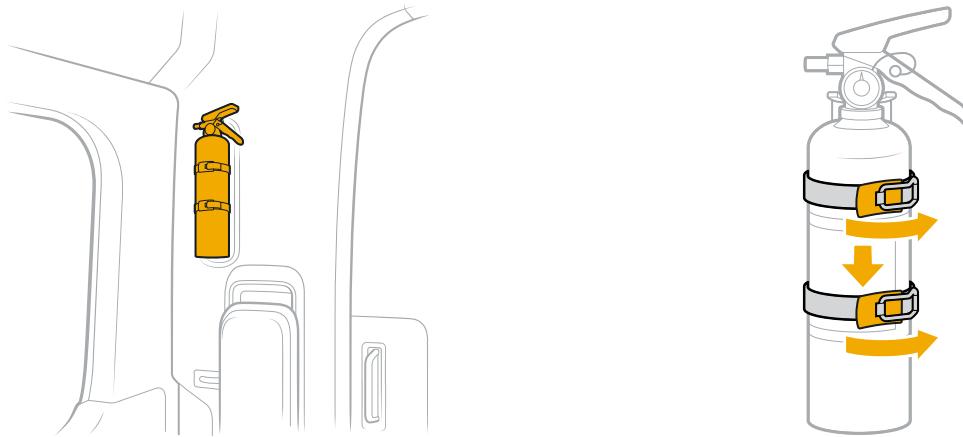
To learn more about the data we collect from you and your vehicle and our data handling practices, see Rivian's Commercial Data Privacy Notice:



Emergency Equipment

Fire Extinguisher

Locate the fire extinguisher in the cabin on the bulkhead above the folding jump seat. Follow the manufacturer's instructions on the extinguisher for use, inspection, and maintenance.

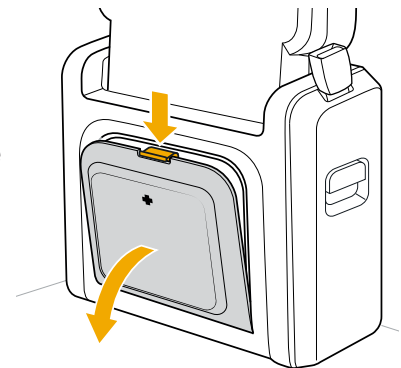


To remove the fire extinguisher from the bulkhead, pull on the metal tab. The tab rotates out and releases the extinguisher from the bracket.

First Aid Kit and Tow Hook

Locate the optional first aid kit in the compartment beneath the folding jump seat. Push down on the latch and fold down the door to access the first aid kit.

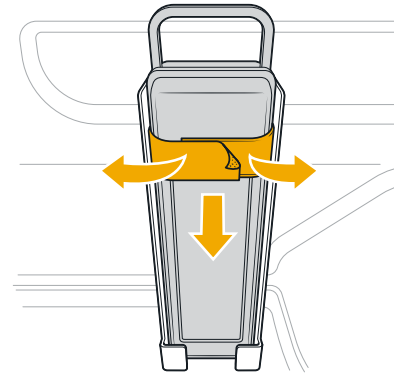
Locate the tow hook inside the compartment that houses the first aid kit. The tow hook screws into the front bumper.



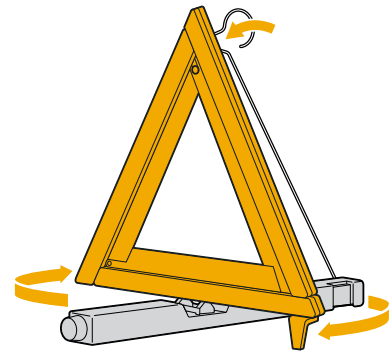
Warning Triangles

Here is how to assemble and set out the optional warning triangles.

1. Lift the folding shelves up against the side of the vehicle.
2. Open the straps and lift the triangle box out of its holster.

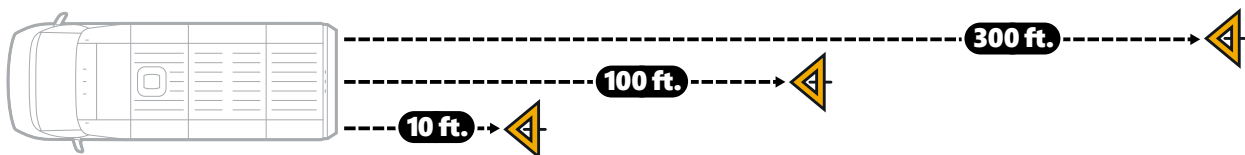


3. Remove the triangles from the box and open them.



4. Place them behind the vehicle.

- Place the first warning triangle 10 ft (3 m) directly behind the vehicle on the side closest to the road.
- Place the second warning triangle 100 ft (30 m) behind the vehicle, lining it up directly in the middle of the vehicle's position.
- Finally, place the third warning triangle 300 ft (90 m) from the vehicle. Line it up with the side of the vehicle that is furthest from the road.
- Watch for oncoming traffic and other hazards. Prioritize personal safety at all times.



To store the triangles:

1. Collapse the triangles.
2. Nest the triangles inside the holding box and close it.
3. Place the box in its holster.

Recover the Vehicle



WARNING

- Only transport the vehicle on a flatbed tow truck with a 21 ft (6.4 m) minimum flatbed length.
- Fire hazard. Towing Rivian vehicles with any wheels on the ground can lead to significant damage and overheating. Extreme overheating can cause a fire.
- Damage caused by improper towing is not covered under warranty.
- Be aware of overhead clearance limits. The vehicle height is 9 ft 7 in (2.92 m).

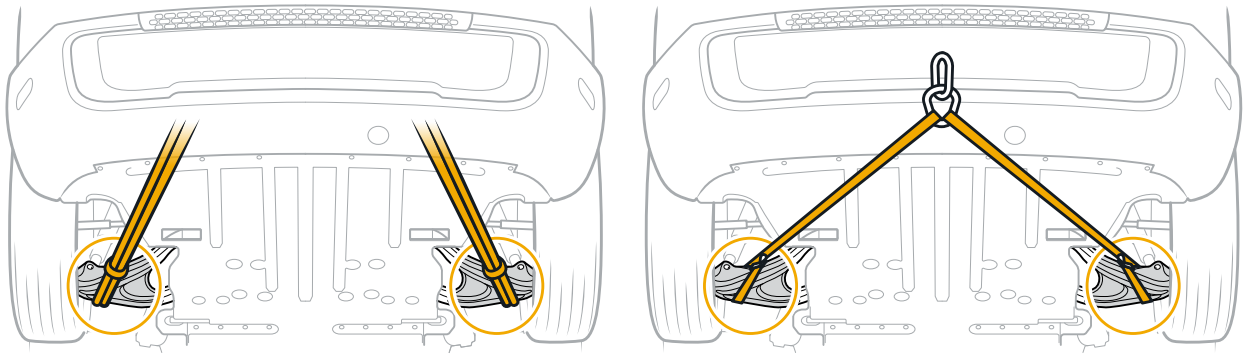
Prepare the Vehicle for Recovery

1. Ensure the front wheels face forward and are parallel with the vehicle.
2. Put the vehicle in **P** (Park) and chock the wheels.
3. Connect the vehicle to the tow truck winch with 3 ft (1 m) endless loops or a nylon bridle through the lower control arms.



CAUTION

To prevent damage, don't use the tow eye to connect to the tow truck and don't use j-hooks to connect to any suspension components.



4. Press and hold the brake pedal.
5. In the center display, go to **Safety**. Turn on **Park brake release**. Choose **Start Release**.

NOTE

Park brake release turns off after 15 minutes. You can also turn it off by putting the vehicle in **P** (Park) or turning off **Park brake release** under **Safety** in the center display.

6. Release the brake pedal and confirm release of the electronic park brake.

You can now [load the vehicle](#) onto the tow truck.

Connect to the Rear Axle

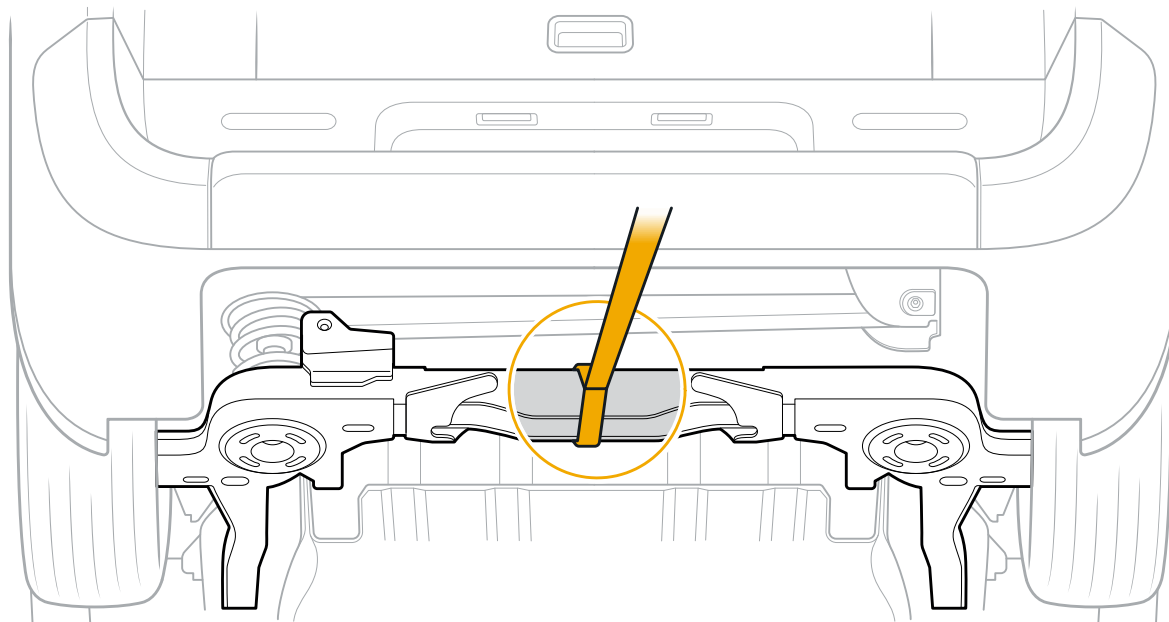
If you can't connect to the front control arms, you can recover the vehicle using the rear axle.

1. Ensure the front wheels face forward and are parallel with the vehicle.
2. Put the vehicle in **P** (Park) and chock the wheels.
3. Connect the vehicle to the tow truck winch with a nylon bridle or short endless loops through the rear axle.



CAUTION

To prevent damage, don't use the rear bumper step to connect to the tow truck.



4. Press and hold the brake pedal.
5. In the center display, go to **Safety**. Turn on **Park brake release**. Choose **Start Release**.

NOTE

Park brake release turns off after 15 minutes. You can also turn it off by putting the vehicle in **P** (Park) or turning off **Park brake release** under **Safety** in the center display.

6. Release the brake pedal and confirm release of the electronic park brake.

Lift the Rear Wheels

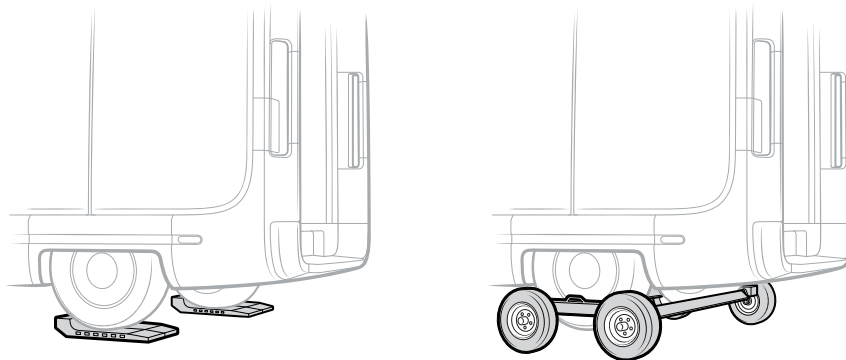
If you can't release the electronic park brake, lift the rear wheels to load the vehicle onto the tow truck.



DANGER

When the rear wheels are lifted, the vehicle can roll. Make sure to secure the vehicle and connect it to the tow truck before you lift the rear wheels.

1. Chock the front wheels to secure the vehicle.
2. Connect the vehicle to the tow truck using an endless loop through the front control arms or rear axle.
3. Lift the rear wheels using skates, a dolly, or a tow truck wheel lift.



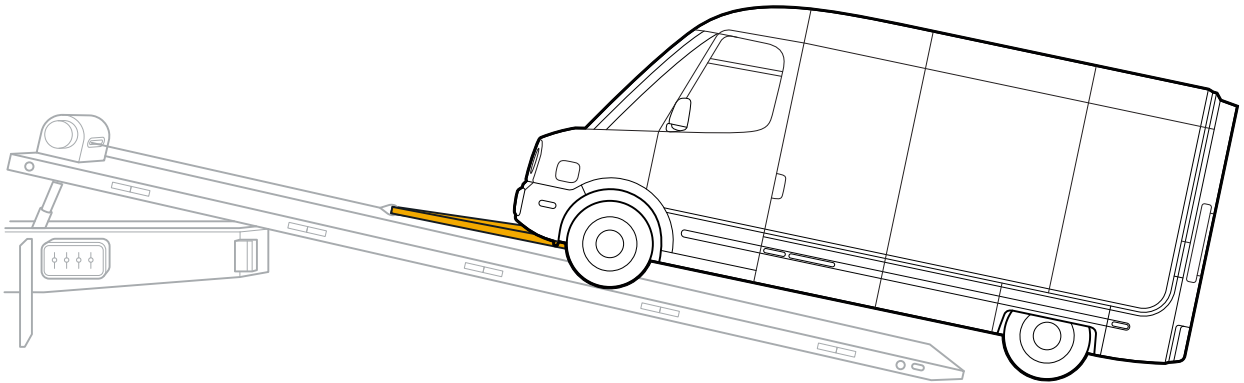
4. With the rear wheels off the ground, position the vehicle to be loaded onto the tow truck bed.
You can now [load the vehicle](#) onto the tow truck.

NOTE

If using skates, use the skates to pull the vehicle all the way up the tow truck ramp.

Load the Vehicle onto the Tow Truck

1. Ensure **Park brake release** is turned on.
2. Remove the wheel chocks.
3. Use the tow truck winch to pull the vehicle onto the tow truck bed.

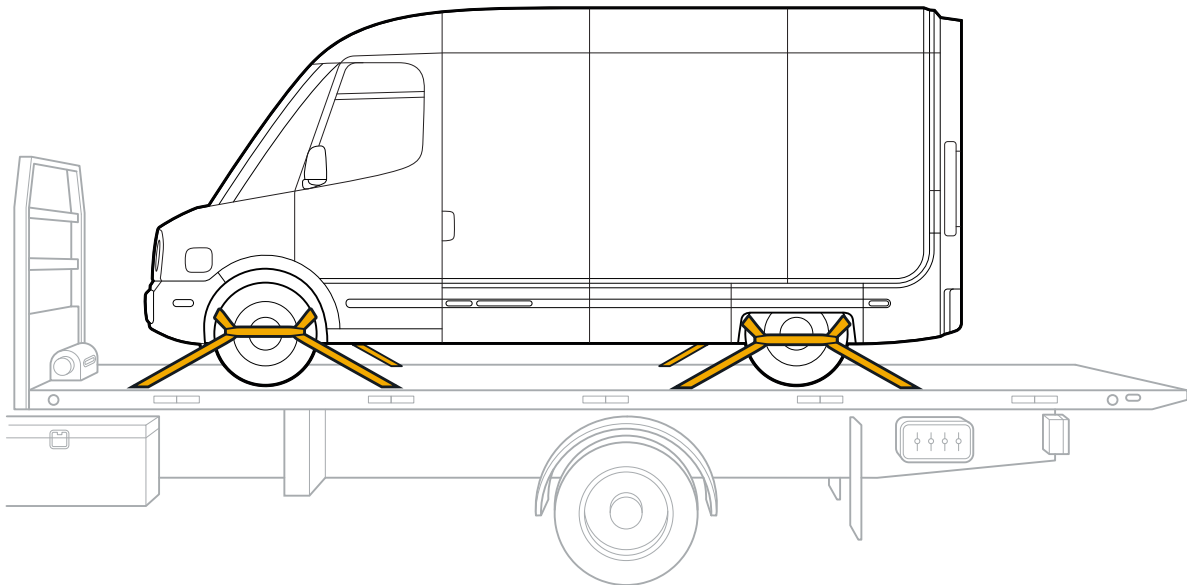


4. Pull at 5 mph (8 km/h) or less to prevent damage to the powertrain.

NOTE

If you pull too fast, the vehicle stops and shifts into **P** (Park).

5. Tie down the vehicle using eight-point retention straps with two points of contact per corner.



CAUTION

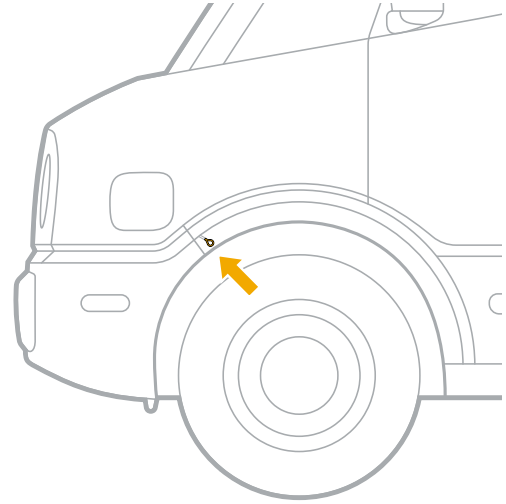
To prevent damage, ensure the straps don't contact the brake lines behind the tire.

6. Put the vehicle in **P** (Park).

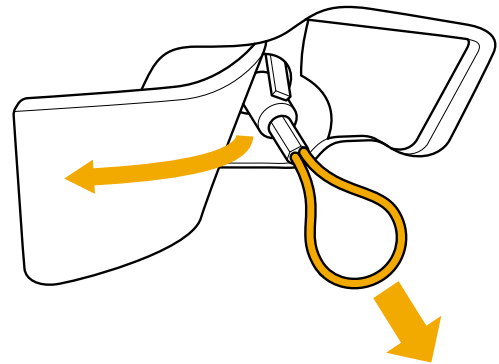
Manually Release the Charge Plug

If the charge plug won't release from the charge port after you stop a charge session, manually release it by following these steps:

1. Locate the release cable behind the access panel in the wheel liner on the driver side of the vehicle.



2. Open the access panel and gently pull the cable to release the charge plug.



3. Remove the charge plug from the charge port.

Reporting Safety Defects

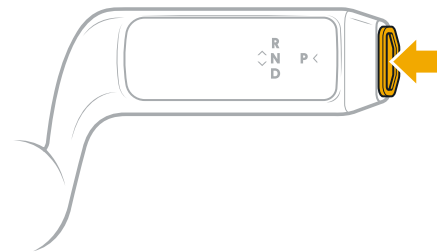
If you believe that your vehicle has a defect which could cause a crash or could cause injury or death, you should immediately inform the National Highway Traffic Safety Administration (NHTSA) in addition to notifying [Rivian](#).

If NHTSA receives similar complaints, it may open an investigation, and if it finds that a safety defect exists in a group of vehicles, it may order a recall and remedy campaign. However, NHTSA cannot become involved in individual problems between you, your dealer, or Rivian.

To contact NHTSA, you may call the Vehicle Safety Hotline toll-free at 1-888-327-4236 (TTY: 1-800-424-9153); go to <http://www.safercar.gov>; or write to: Administrator, NHTSA, 400 Seventh Street, SW., Washington, DC 20590. You can also obtain other information about motor vehicle safety from <http://www.safercar.gov>.

Emergency Stop

If the brakes do not work properly, press and hold the **P** (Park) button to immediately decelerate. An emergency deceleration notification appears on the driver display.



NOTES

- Continue to hold the **P** (Park) button to bring the vehicle to a stop. If the vehicle reaches a standstill, it automatically shifts into **P** (Park) and applies the parking brake.
- Release the **P** (Park) button to stop the deceleration.
- To stop the emergency deceleration, press the accelerator pedal while emergency deceleration is in progress.

Service and Maintenance

Windshield Washer Fluid

Temperature Rating

When refilling windshield washer fluid, use fluid rated for the season and temperature range where the vehicle will be located.



Ensure that you dilute concentrated formulas.

Always refer to the temperature rating and instructions on the fluid bottle before you purchase or use windshield washer fluid.

IMPORTANT

Windshield washer fluid ratings vary. Fluid rated for cold weather (winter) performs best in colder temperatures, but is unnecessary in milder temperatures.

Windshield washer fluid rated for milder temperatures (summer) typically contains much lower levels of volatile organic compounds (VOCs).

VOCs contribute to ozone levels and smog, particularly when VOCs evaporate in warmer temperatures. Using cold-weather rated fluid when the temperature is warmer can release higher levels of VOCs in the air.

Use fluid rated for the current season and temperature to avoid releasing excess VOCs.

Refill Windshield Washer Fluid



DANGER

- Concentrated windshield washer fluid is highly flammable and may ignite if exposed to heat.
- Do not pour or spill concentrated windshield washer fluid onto hot vehicle components.



WARNING

- After driving, vehicle components may be hot.
- Before touching any area of the vehicle, ensure the area is cool to the touch. Don't pour any fluid into a hot area of the vehicle.



- Clean off leaves and debris before opening the windshield washer fluid reservoir.

IMPORTANT

- Some windshield washer fluid must be diluted. Follow the manufacturer's instructions on the bottle.
- Dilute the fluid in a separate container first.
- Do not use fluid containing water repellent or insect formula.



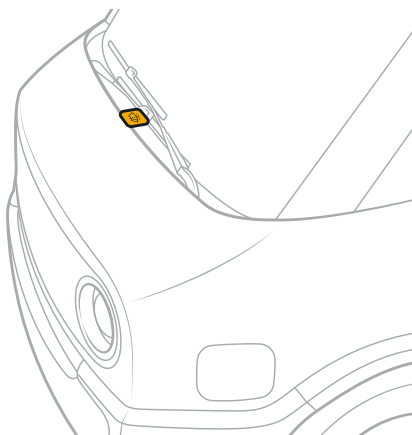
Supplies

The vehicle holds 4.4 gal (16.7 L) of windshield washer fluid.

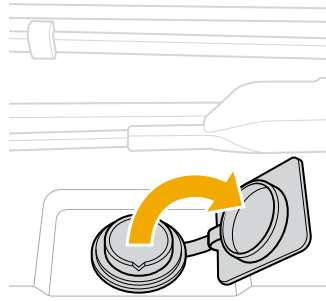
Steps

To refill the windshield washer fluid:

1. Park the vehicle.
2. Locate the cap below the center of the windshield at the front of the vehicle.



3. Pry up the cap to access the opening.



4. Insert a funnel into the opening.
5. Pour in windshield washer fluid until the fluid level is 1 - 2 in (3 - 5 cm) below the opening.



6. Close the cap and press firmly to snap it in place.

Tires

Tires and Wheels

Uniform Tire Quality Grading

Quality grades can be found where applicable on the tire sidewall between tread shoulder and maximum section width. For example: Treadwear 200 Traction AA Temperature A.

NOTE

This vehicle does not have a snow-performance tire nor is it designed to operate with snow chains.

The U.S. Department of Transportation requires the following information:

Treadwear

The treadwear grade is a comparative rating based on the wear rate of the tire when tested under controlled conditions on a specified government test course. For example, a tire graded 150 would wear under one-and-a-half (1-1/2) times as well on the government course as a tire graded 100. The relative performance of tires depends upon the actual conditions of their use, however, and may depart significantly from the norm due to variations in driving habits, service practices and differences in road characteristics and climate.

Traction – AA, A, B, and C

The traction grades from highest to lowest are AA, A, B, and C and they represent the tire's ability to stop on wet pavement as measured under controlled conditions on specified government test surfaces of asphalt and concrete. Tires marked C may have poor traction performance.



WARNING

The traction grade assigned to this tire is based on braking (straight ahead) traction tests and does not include cornering (turning) traction.

Temperature - A, B, and C

The temperature grades are A (the highest), B, and C, representing the tire's resistance to the generation of heat and its ability to dissipate heat when tested under controlled conditions on a specified indoor laboratory test wheel. Sustained high temperature can cause the material of the tire to degenerate and reduce tire life, and excessive temperature can lead to sudden tire failure.

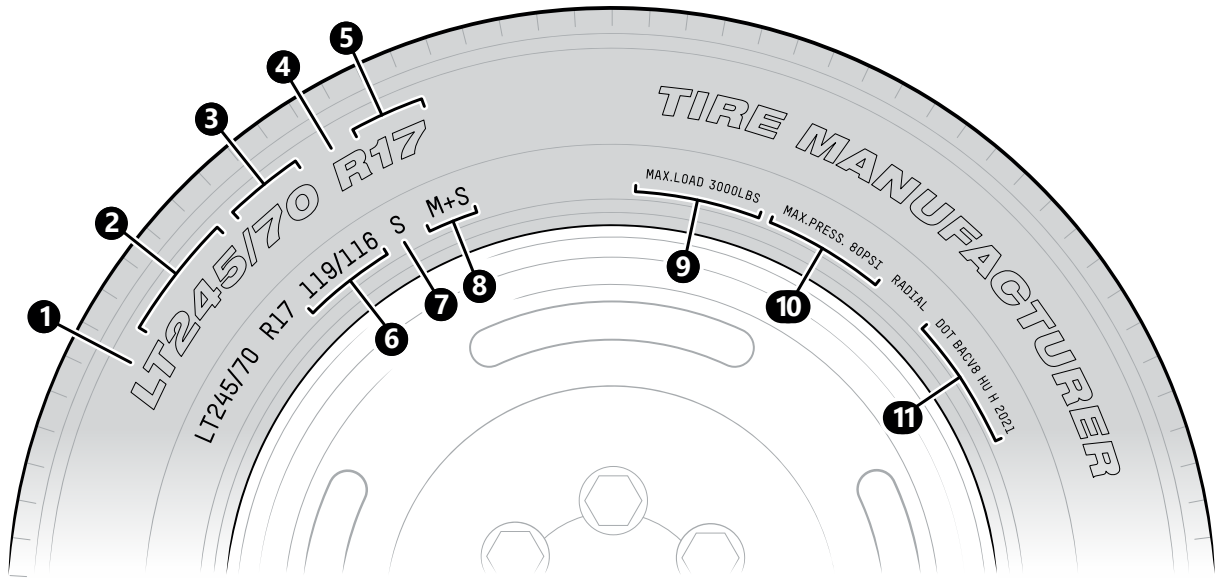
The grade C corresponds to a level of performance which all passenger car tires must meet under the Federal Motor Vehicle Safety Standard No. 109. Grades A and B represent higher levels of performance on the laboratory test wheel than the minimum required by law.

**WARNING**

The temperature grade for this tire is established for a tire that is properly inflated and not overloaded. Excessive speed, under-inflation, or excessive loading, either separately or in combination, can cause heat buildup and possible tire failure.

Tire Markings

The following image describes tire markings for a typical tire. The positions of the tire markings may vary by tire manufacturer.



| Item | Description |
|------|--|
| 1 | Light truck use |
| 2 | Nominal width in millimeters, measured from the outer edges of the sidewall. |
| 3 | Nominal aspect ratio (%). This describes the height of the tire expressed as a percentage of the tire width. |
| 4 | Internal construction. The R indicates a radial ply tire. |
| 5 | Rim diameter in inches |
| 6 | Load index |
| 7 | Speed symbol |
| 8 | Mud and snow grading |
| 9 | Maximum load rating |
| 10 | Maximum permissible inflation pressure |
| 11 | U.S. DOT tire identification number |

Glossary of Tire Terminology

| Term | Definition |
|----------------------------|--|
| Accessory weight | The combined weight of factory-installed equipment (in excess of standard items which may be replaced). |
| Bead | The part of the tire next to the rim, constructed of steel wires that are wrapped or reinforced by ply cords. |
| Bead separation | A breakdown of the bond between bead components. |
| Bias ply tire | A pneumatic tire constructed of ply cords laid at alternate angles that are substantially less than 90 degrees to the tread centerline. |
| Carcass | The tire structure, except the tread and sidewall rubber, which bears the load when inflated. |
| Chunking | The breaking away of pieces of the tread or the sidewall. |
| Cold tire pressure | The tire pressure when the vehicle has been parked for 3 hours or more, or driven for less than 1 mi (1.6 km). |
| Cord | The strands that form the plies in the tire. |
| Cord separation | The parting of cords between adjacent rubber compounds. |
| Curb weight | The weight of the vehicle with standard equipment and properly filled fluids. |
| Groove | The space between two adjacent tire tread ribs. |
| Inner liner | The layers that form the inside surface of a tubeless tire containing the inflating medium. |
| Inner liner separation | The parting of the inner liner from the cord material in the tire carcass. |
| Light truck (LT) tire | A tire intended for light weight trucks and multi-purpose passenger vehicles that have a gross vehicle weight rating (GVWR) of less than 10,000 lb (4356 kg). |
| Load rating | The maximum load for a tire at the maximum permissible inflation pressure. |
| Maximum inflation pressure | The maximum permissible cold tire inflation pressure. |
| Maximum load rating | The load rating for a tire at the maximum permissible cold tire inflation pressure. |
| Ply | A layer of rubber-coated parallel cords. |
| Ply separation | A parting of the rubber compound between adjacent tire plies. |
| Pneumatic tire | A mechanical device constructed of rubber, chemicals, fabric, steel, and other materials. When mounted on an automotive wheel, the device provides traction and contains the gas or fluid that sustains the load of the vehicle. |
| Radial ply tire | A pneumatic tire that contains ply cords that extend to the beads and are laid at alternate angles substantially less than 90 degrees to the tread centerline. |


| Term | Definition |
|----------------------------------|--|
| Recommended inflation pressure | The cold tire inflation pressure recommended by Rivian Automotive, LLC. This information is printed on the tire placard on the inside of the door pillar. |
| Rim | The metal support for a tire assembly where the tire beads are seated. |
| Section width | The linear distance between the exteriors of the sidewall of an inflated tire. The distance excludes elevations from labeling, decoration, or protective bands. |
| Sidewall | The section of the tire between the tread and the bead. |
| Tire placard | The label that is permanently attached to the inside of the door pillar that describes the original equipment tire sizes, recommended inflation pressures, and loading capacity. |
| Tread | The section of the tire that contacts the road surface. |
| Treadwear indicators (TWI) | The projections within the tire grooves that are designed to provide a visual indication of the tire tread wear. |
| Vehicle maximum load on the tire | The load on an individual tire that is determined by distributing the maximum loaded vehicle weight on each axle and dividing by two. |

Tire Care

Check the inflation pressure of the tires, including the spare tire (if equipped), monthly with an accurate tire pressure gauge. The recommended cold inflation pressures are listed on the Tire and Loading Information label on the driver's door pillar.

Load Capacity


The Tire and Loading Information label is on the driver's door pillar. The label describes the proper loading for the vehicle with or without a trailer.



TIRE AND LOADING INFORMATION
RENSEIGNEMENTS SUR LES PNEUS ET LE CHARGEMENT

| | | |
|----------------------------|-----------|-----------|
| SEATING CAPACITY TOTAL: XX | FRONT: XX | REAR: XX |
| NOMBRE DE PLACES TOTAL : | AVANT : | ARRIÈRE : |

The combined weight of occupants and cargo should never exceed **XXX kg or XXX lbs.**
 Le poids total des occupants et du chargement ne doit jamais dépasser

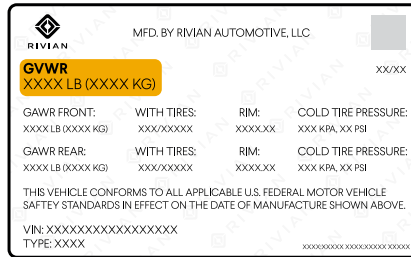
| TIRE PNEU | SIZE DIMENSIONS | COLD TIRE PRESSURE PRESSION DES PNEUS À FROID | SEE OWNER'S MANUAL FOR ADDITIONAL INFORMATION VOIR LE MANUEL DE L'USAGER POUR PLUS DE RENSEIGNEMENTS  |
|------------------|-----------------|---|---|
| FRONT AVANT | XXXXX | XXXXX | |
| REAR ARRIÈRE | XXXXX | XXXXX | |
| SPARE DE SECOURS | XXXXX | XXXXX | |

Steps for Determining Correct Load Limit

1. Locate the statement "The combined weight of occupants and cargo should never exceed XXX kg or XXX lbs" on your vehicle's placard.
2. Determine the combined weight of the driver and passengers that will be riding in your vehicle.
3. Subtract the combined weight of the driver and passengers from XXX kg or XXX lbs.
4. The resulting figure equals the available amount of cargo and luggage load capacity. For example, if the "XXX" amount equals 1,400 lbs and there are five 150 lb passengers in your vehicle, the available cargo and luggage load capacity is 650 lbs (1400-750 (5 x 150) = 650 lbs).
5. Determine the combined weight of luggage and cargo being loaded on the vehicle. That weight may not safely exceed the available cargo and luggage load capacity calculated in Step 4.

NOTE

The Gross Vehicle Weight Rating (GVWR) can be found on the Vehicle Certification label on the driver's door pillar.



WARNING

Don't overload the tires. Overloading can cause tire failure, affect vehicle handling, and increase stopping distance.

Tire Pressure Monitoring System

The vehicle is equipped with a Tire Pressure Monitoring System (TPMS) with individual tire pressure display. If one of the tires is significantly under-inflated, a low tire pressure indicator appears on the driver display.



Each tire, including the spare (if provided), should be checked monthly when cold and inflated to the inflation pressure recommended by the vehicle manufacturer on the vehicle placard or tire inflation pressure label. (If your vehicle has tires of a different size than the size indicated on the vehicle placard or tire inflation pressure label, you should determine the proper tire inflation pressure for those tires.)

As an added safety feature, your vehicle has been equipped with a TPMS that illuminates a low tire pressure telltale when one or more of your tires is significantly underinflated.

Accordingly, when the low tire pressure telltale illuminates, you should stop and check your tires as soon as possible, and inflate them to the proper pressure.

Driving on a significantly under-inflated tire causes the tire to overheat and can lead to tire failure. Under-inflation also reduces fuel efficiency and tire tread life, and may affect the vehicle's handling and stopping ability.

NOTE

The TPMS is not a substitute for proper tire maintenance, and it is the driver's responsibility to maintain correct tire pressure, even if under-inflation has not reached the level to trigger illumination of the TPMS low tire pressure telltale.

TPMS Malfunction Indicator

Your vehicle has also been equipped with a TPMS malfunction indicator to indicate when the system is not operating properly. The TPMS malfunction indicator is combined with the low tire pressure telltale. When the system detects a malfunction, the telltale will flash for approximately one minute and then remain continuously illuminated. This sequence will continue upon subsequent vehicle start-ups as long as the malfunction exists.

When the malfunction indicator is illuminated, the system may not be able to detect or signal low tire pressure as intended. TPMS malfunctions may occur for a variety of reasons, including the installation of replacement or alternate tires or wheels on the vehicle that prevent the TPMS from functioning properly. Always check the TPMS malfunction telltale after replacing one or more tires or wheels on your vehicle to ensure that the replacement or alternate tires and wheels allow the TPMS to continue to function properly.

TPMS Sensor Automatic Learning Process

The vehicle is equipped with TPMS sensors in the valve stem of each wheel. When you start driving, the sensors automatically connect to the TPMS module and begin the automatic learning process, which takes less than 10 minutes. After the learning process is complete, the TPMS sensor transmits the pressure values for each of the front and rear tires to the in-vehicle displays.

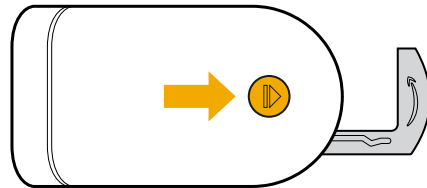
Jump Start 12 V Batteries

The vehicle has one or two 12 V batteries under the driver seat. Older vehicles have two, and newer ones have one.

Signs of discharged 12 V batteries include the following:

- The doors and storage areas don't unlock.
- The vehicle doesn't respond to the key fob.
- The lighting doesn't illuminate.
- The displays don't turn on.

To unlock the doors when the 12 V battery or batteries are depleted, use the emergency key inside the key fob. See [Key Fob](#) for more information.



CAUTION

Don't use the vehicle to jump start another vehicle.

Before you begin, ensure that you have an adequate power source to jump start the vehicle.

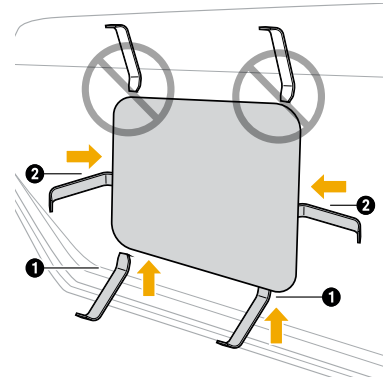
- If using a tow truck to jump start, the tow truck needs to be running until the vehicle powers up.
- If using a jump box, it needs to maintain a steady voltage of 12.5 V at 15 A (30 A peak).

IMPORTANT

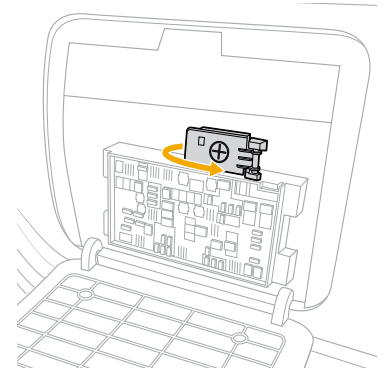
If there are two batteries, both need to be jump started at the same time.

Jump start the battery or batteries by following these steps.

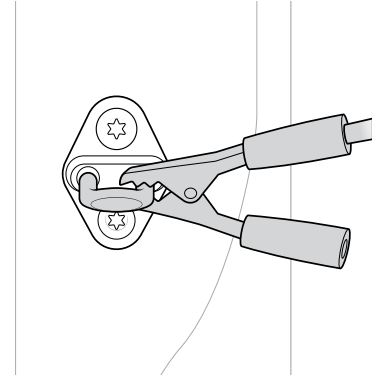
1. To open the panel, pry at the bottom of the door (1) and then on the sides (2). Never pry at the top.



2. Open the cover for the positive battery post (on both sides, if there are two batteries).



3. Connect the positive (+) lead to the positive battery contact.
4. Connect the negative (-) lead to the driver's door latch.



5. Repeat steps 3 and 4 on the second battery if necessary.

Once the vehicle has enough power, the displays will turn on. You can unlock the doors, rollup door, and charge port door. When the vehicle fully powers on you can drive if the vehicle has enough range.

6. After the vehicle powers on, remove the negative (-) lead from the driver's door latch.
7. Remove the positive (+) lead from the positive battery contact.

IMPORTANT

If the vehicle's high-voltage battery is also depleted, the 12 V battery or batteries will deplete again. Charge the vehicle as soon as possible.

Perform a Restart

Restart the Software



CAUTION

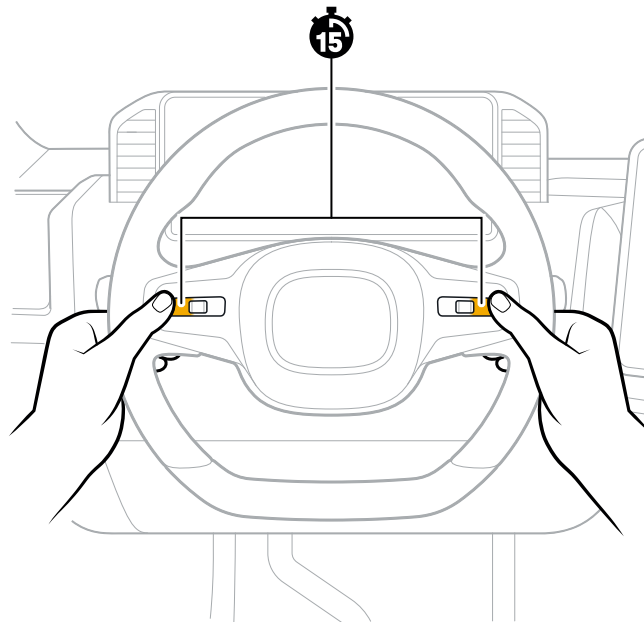
Contact [Rivian Service](#) before restarting the vehicle or the displays.

If the vehicle apps, connectivity, or displays are not working normally, you may need to restart the software.

1. Make sure the vehicle is in **P** (Park).
2. Find the two outermost control buttons on the steering wheel.
3. Press both buttons at the same time and hold for 15 seconds.

NOTE

The displays go dark for about one minute until the restart is complete.



Restart the Vehicle



CAUTION

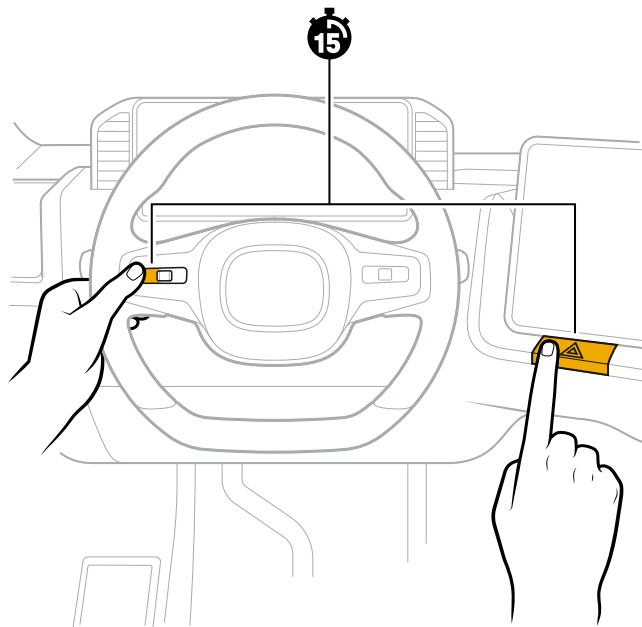
Contact [Rivian Service](#) before restarting the vehicle or the displays.

If the vehicle is not working normally after you restart the software, you may need to restart the vehicle.

1. Make sure the vehicle is in **P** (Park) and not plugged in.
2. Find the left thumb control button on the steering wheel and the hazard lights button under the center display.
3. Press both buttons at the same time and hold for 15 seconds.

NOTE

The displays go dark, and then a progress bar indicates when the restart is complete.

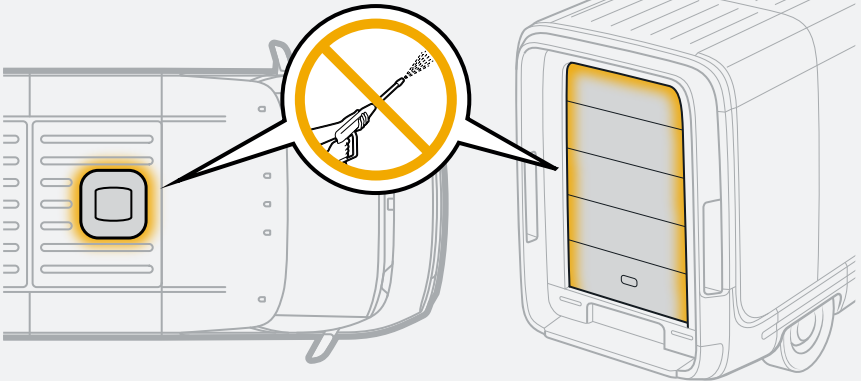


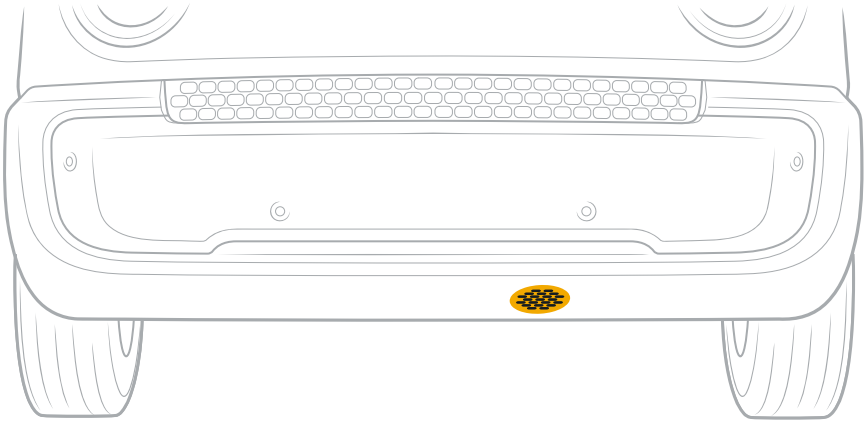
Clean the Exterior



WARNING

- Before washing, ensure that the vehicle is not currently charging, and that the charge port cover is closed. Washing during charging is an electrocution risk, which can lead to injuries or vehicle or property damage.
- Avoid spraying water at any electronics or exposed cabling.

| Guideline | Description |
|------------------|--|
| Before washing | <ul style="list-style-type: none"> • Turn off the vehicle. • Remove all packages from the cargo area to prevent water damage. • Close the doors, windows, and the rollup door. • Ensure that charge port cover is closed, and the vehicle is not plugged in or charging. |
| Pressure washing | <ul style="list-style-type: none"> • Use a standard pressure washer with a maximum of 1,100 psi and a minimum of 25-degree nozzle spray to wash the vehicle. • Hold the pressure washer at least 15 in (40 cm) away from the vehicle. • Use a side-to-side sweeping motion to avoid concentrated pressure to a single area. • To prevent water leakage into the cargo area, avoid prolonged or concentrated water pressure to the roof vent cover and the edges of the rollup door.  |

| Guideline | Description |
|---------------------------------------|--|
| <p>Pedestrian audio alert speaker</p> | <p>Pedestrian audio alert is a feature that emits sound to alert pedestrians that the vehicle is moving. The speaker that emits the sound is located underneath the front bumper.</p>  <ul style="list-style-type: none"> • Check that the speaker is clean and free of obstructions, especially after severe weather. • If the volume of the pedestrian alert sound is decreased, use a tube brush to gently clean the speaker. |
| <p>Paintwork</p> | <ul style="list-style-type: none"> • Remove bird droppings, tree sap, insect deposits, tar, road salt, or other particles to avoid damage to the paint surface. • Never apply wax in direct sunlight. • Avoid applying wax to unpainted surfaces. |
| <p>Chrome trim</p> | <ul style="list-style-type: none"> • Do not use abrasives, alcoholic solvents, or chemical solvents to clean the chrome trim. • Dry the chrome trim with a clean, soft cloth. |
| <p>Cold weather care</p> | <ul style="list-style-type: none"> • If there is ice on the vehicle, use the climate control system such as heat and defrost to thaw surfaces. • Do not apply hot water to any glass surface to remove ice. This may cause the glass to crack. • Never use an ice scraper on plastic parts on the vehicle's exterior, such as the air intake cover and the trim near the windshield wipers. This may scratch or damage the plastic and nearby fixtures. • In freezing temperatures, clean the sensors after washing the vehicle. |

| Guideline | Description |
|--------------------------|---|
| Headlights | <ul style="list-style-type: none">• Do not scrape the headlights.• Do not use abrasives, alcoholic solvents, or chemical solvents to clean the headlights.• Do not wipe the headlights when they are dry. |
| Windows and wiper blades | Do not apply wax to the windshield or wiper blades. |

Vehicle Shipping Mode

Use Vehicle Shipping mode to preserve battery charge while the vehicle is in transit.



WARNING

Vehicle Shipping mode should be used only when shipping the vehicle on a transport carrier or via rail. It is not meant for use when towing the vehicle.

Vehicle Shipping mode turns off the following features:

- Passive lock/unlock - You can leave keys in the vehicle and the vehicle sleeps normally.
- Software updates
- Vehicle alarm system
- Bulkhead door

NOTE

Powering up takes longer than usual when Vehicle Shipping mode is selected.

Turn On Vehicle Shipping Mode

Turn on Vehicle Shipping mode when you are ready to transport the vehicle.

1. Put the vehicle in **P** (Park).
2. On the center display, choose **Vehicle**, then **System**.
3. Turn on **Vehicle Shipping** mode.
4. Enter the Rivian-supplied activation code **8726** on the pinpad.

Turn Off Vehicle Shipping Mode

Turn off Vehicle Shipping mode after you arrive at your destination.

NOTE

Functionality may be limited until Vehicle Shipping Mode is turned off.

1. Put the vehicle in **P** (Park).
2. On the center display, choose **Vehicle**, then **System**.
3. Turn off **Vehicle shipping** mode.

Legal and Reference

Legal

USA FCC Certification

| Wireless Device | Model | FCC ID | IC ID |
|-----------------------------------|-----------------|---------------------------|-------------------------|
| Telematics Control Module | TCM 1.0 | 2AW3A-1NAT20TCM | 26958-1NAT20TCM |
| Vehicle Access System - Bluetooth | VAS-BLE 1.0 | 2AW3A-1NAG20VAS | 26958-1NAG20VAS |
| Experience Management Module | XMM 1.0 | contains FCC ID: VPYLB2AJ | contains IC: 772C-LB2AJ |
| Wireless Charger | VWPSC10C-15AM9P | 2A2EZVW15AM9P | 26414-VW15AM9P |
| Tire Pressure Monitoring System | TSSSG4G6b | YGOTSSRE4A | 4008C-TSSRE4A |
| Automotive Short-Range Radars | MAR110 | TQ8-MAR110 | 5074A-MAR110 |
| Automotive Long-Range Radar | LRR-25 | 2ACDX-LRR-25 | 11988A-LRR25 |

FCC Statement

This device complies with Part 15 of the FCC Rules. Operation is subject to the following two conditions:

1. This device may not cause harmful interference, and
2. This device must accept any interference received, including interference that may cause undesired operation.

This equipment has been tested and found to comply with the limits for a Class B digital device, pursuant to part 15 of the FCC Rules. These limits are designed to provide reasonable protection against harmful interference in a residential installation. This equipment generates, uses, and can radiate radio frequency energy. And, if not installed and used in accordance with the instructions, may cause harmful interference to radio communications. However, there is no guarantee that interference will not occur in a particular installation. If this equipment does cause harmful interference to radio or television reception, which can be determined by turning the equipment off and on, the user is encouraged to try to correct the interference by one or more of the following measures:

- Reorient or relocate the receiving antenna.
- Increase the separation between the equipment and receiver.
- Connect the equipment into an outlet on a circuit different from that to which the receiver is connected.
- Consult the dealer or an experienced radio/TV technician for help.



CAUTION

Changes and modifications made to this equipment not expressly approved by Rivian may void the FCC authorization to operate this equipment.

Exposure to Radio Frequency Energy

Rivian vehicles use Wi-Fi®, Bluetooth®, and cellular radio (LTE/WCDMA/GSM) transmitters that emit radio frequency (RF) energy. Though these devices emit low levels of RF energy, keep a minimum distance from these devices to the human body during operation to meet the guidelines for RF exposure from the Federal Communications Commission of the United States (FCC), Industry Canada, and European Union.

The devices emitting RF energy used in Rivian vehicles are listed below based on their recommended **Maximum Permissible Exposure (MPE)** distance.

| Wireless Device | Model | (MPE) Distance | Antenna Location |
|-------------------------------|---------|----------------|-------------------------------|
| Telematics Control Module | TCM 1.0 | 9 in (23 cm) | Roof (above cabin area) |
| Experience Management Module | XMM 1.0 | 8 in (20 cm) | Instrument panel |
| Automotive Short-Range Radars | MAR110 | 8 in (20 cm) | Front and rear bumper corners |
| Automotive Long-Range Radar | LRR-25 | 32 in (80 cm) | Front bumper |

State-Specific Disclaimers

California



WARNING

Certain components in your vehicle such as lithium batteries, airbag modules, and seat belt pretensioners may contain perchlorate material. Special handling may apply for service or vehicle end of life disposal. For more information, go to www.dtsc.ca.gov/hazardouswaste/perchlorate.

Event Data Recorder

This vehicle is equipped with an event data recorder (EDR). The main purpose of an EDR is to record, in certain crash or near crash-like situations, such as an air bag deployment or hitting a road obstacle, data that will assist in understanding how a vehicle's systems performed. The EDR is designed to record data related to vehicle dynamics and safety systems for a short period of time, typically 30 seconds or less. The EDR in this vehicle is designed to record such data as:

- How various systems in your vehicle were operating;
- Whether or not the driver and passenger safety belts were buckled and fastened;
- How far (if at all) the driver was depressing the accelerator and/or brake pedal; and
- How fast the vehicle was traveling.

These data can help provide a better understanding of the circumstances in which crashes and injuries occur.

NOTE

EDR data are recorded by your vehicle only if a non-trivial crash situation occurs; no data are recorded by the EDR under normal driving conditions, and no personal data (e.g., name, gender, age, and crash location) are recorded. However, other parties, such as law enforcement, could combine the EDR data with the type of personally identifying data routinely acquired during a crash investigation.

To read data recorded by an EDR, special equipment is required, and access to the vehicle or the EDR is needed. In addition to the vehicle manufacturer, other parties, such as law enforcement, that have the special equipment, can read the information if they have access to the vehicle or the EDR.

Privacy and User Data

Your privacy is important to Rivian. To learn more about the data we collect from you and your vehicle and our data handling practices, see Rivian's Commercial Data Privacy Notice:



Quality Control

All Rivian vehicles undergo extensive quality testing, road testing, and inspection before they are delivered. This may result in a few miles (kilometers) on the odometer when your Rivian vehicle is delivered to you.

Customer Service

Still need help? Connect with us.



Roadside Assistance 24/7

[\(844\) RIVIAN4](#) / [\(844\) 748-4264](#)

Service and Vehicle Support 24/7

[\(855\) 745-1878](#)