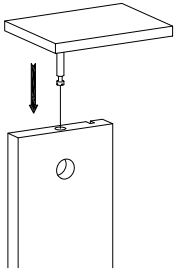
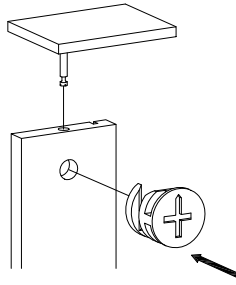


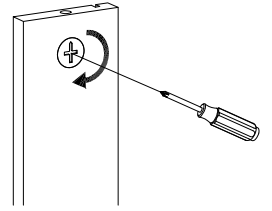
1



2



3



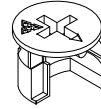
A

X14



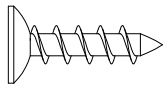
B

X46



C

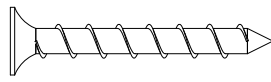
X46



M4X14mm

D

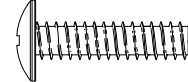
X35



M4X28mm

E

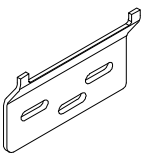
X4



M4X20mm

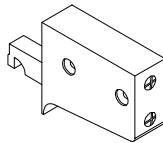
F

X4



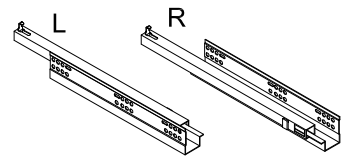
G

X2



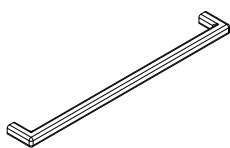
H

X2



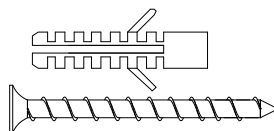
I

X2



J

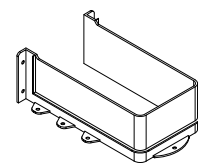
X2



M5X40mm

K

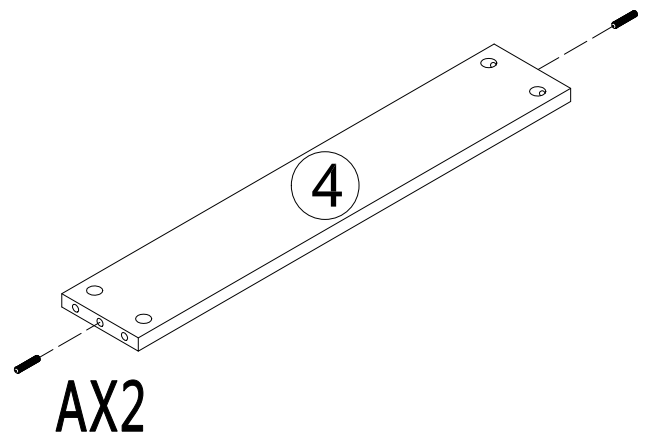
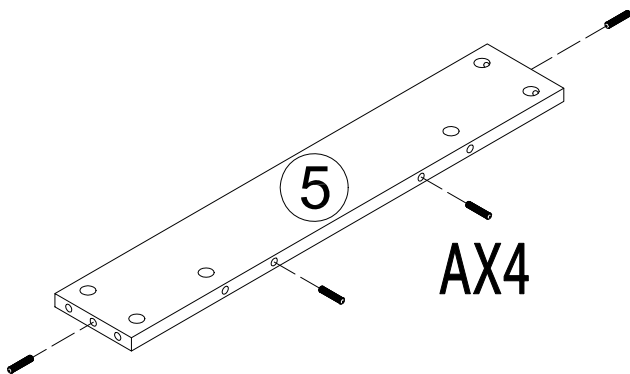
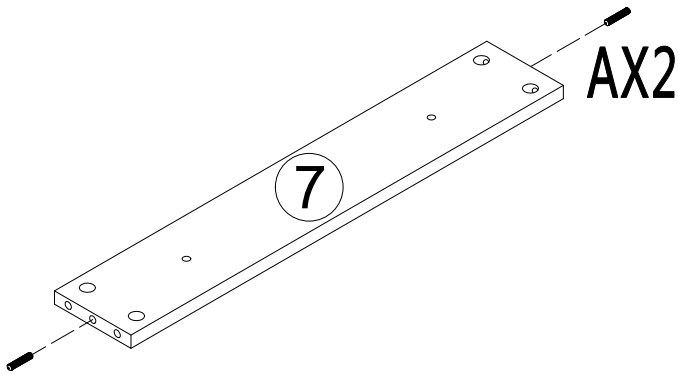
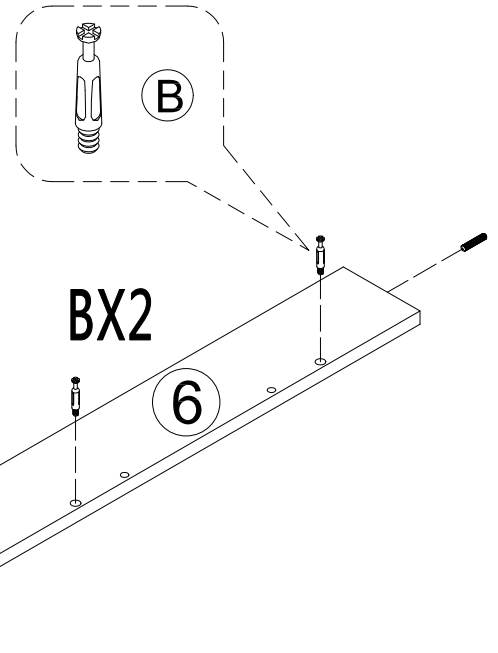
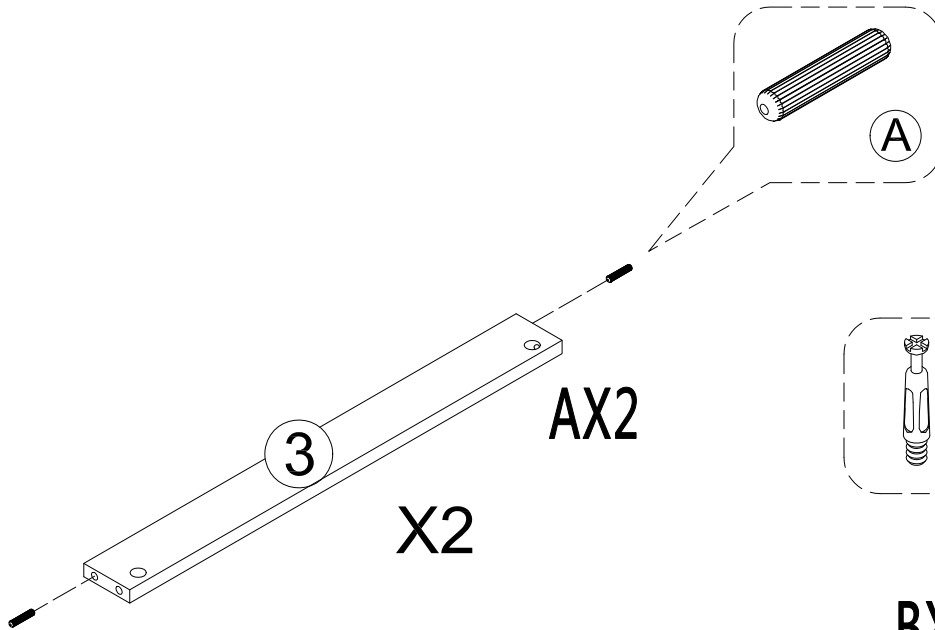
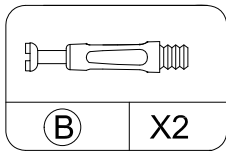
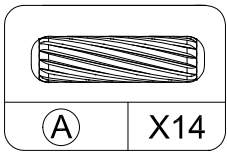
X6



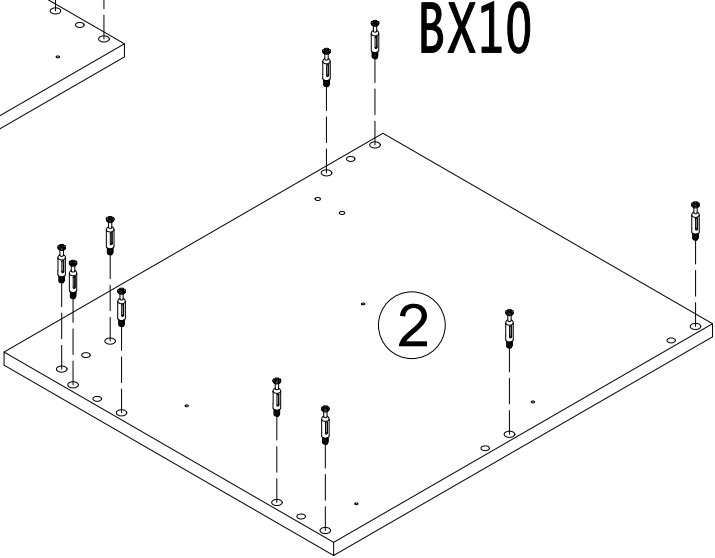
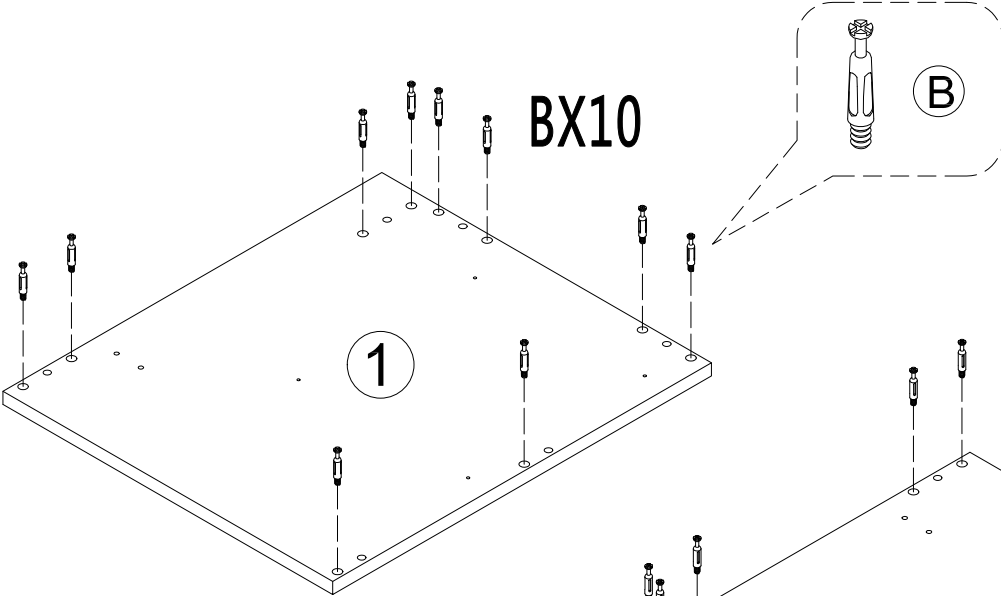
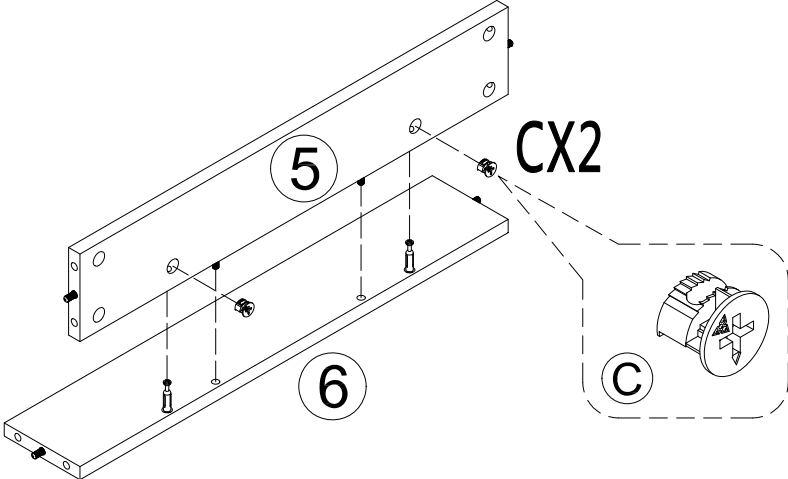
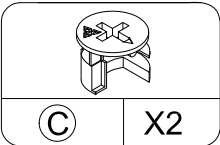
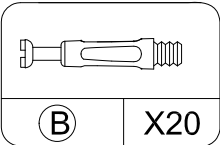
L

X1

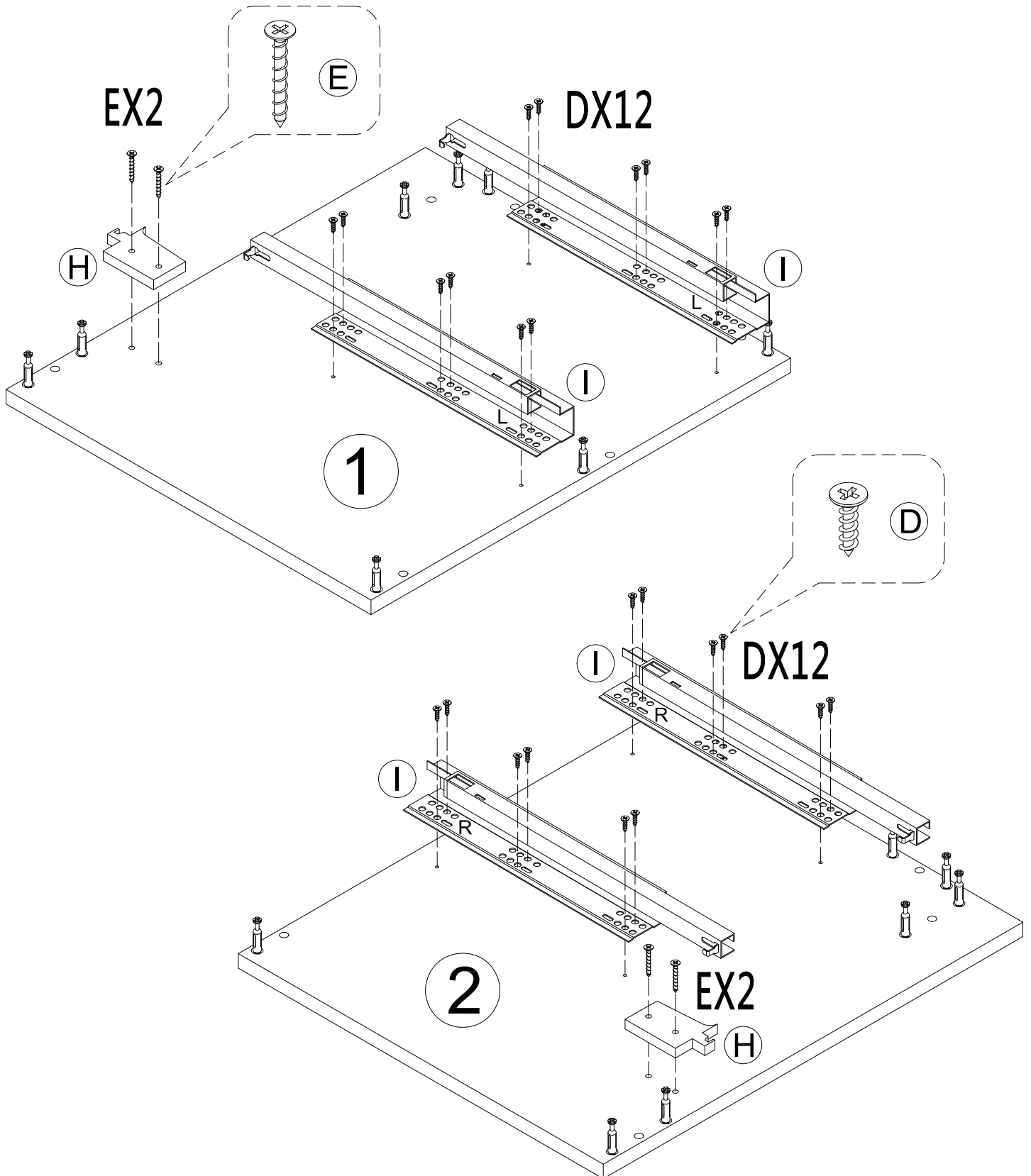
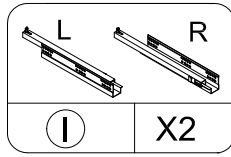
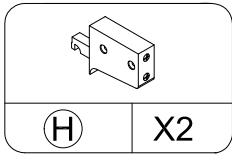
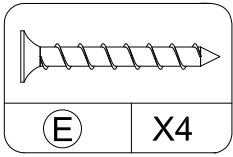
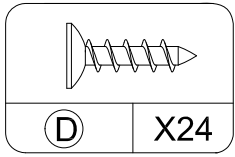
# STEP 1



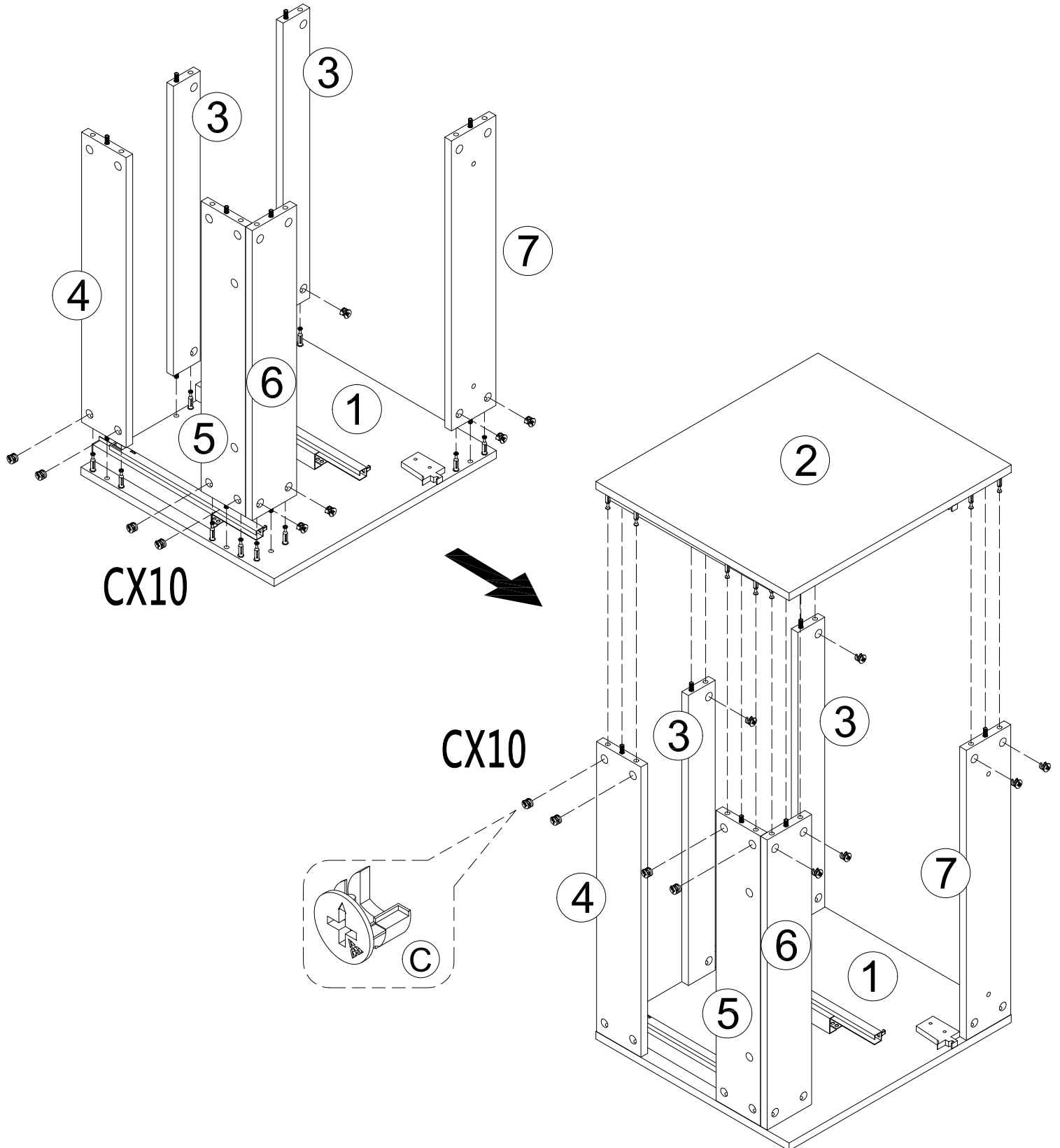
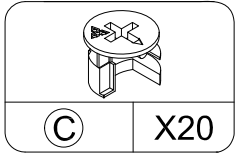
# STEP 2



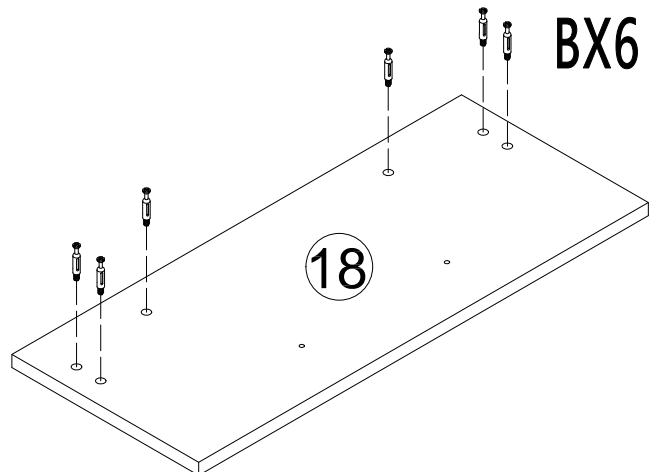
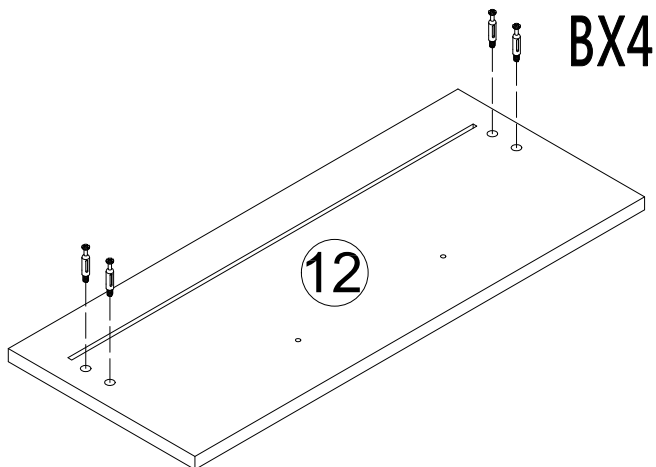
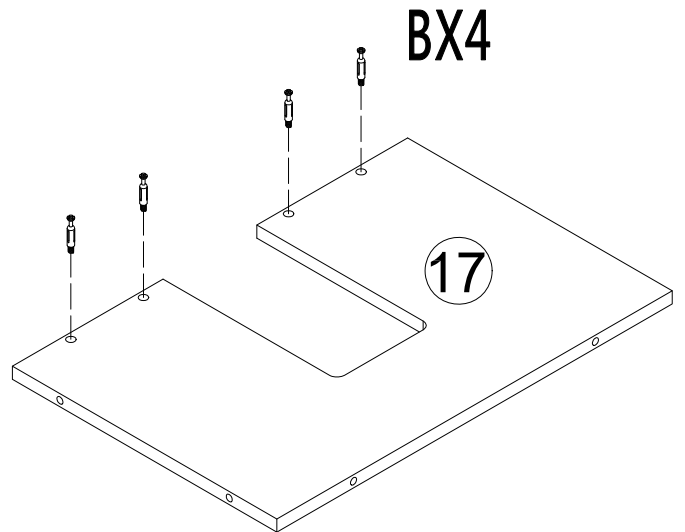
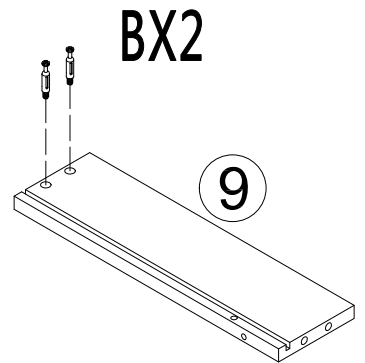
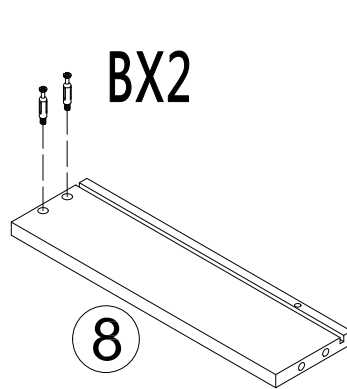
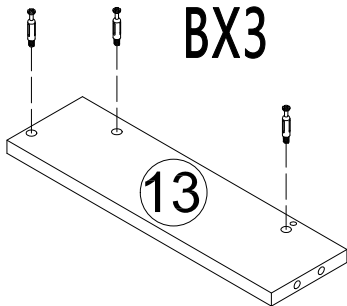
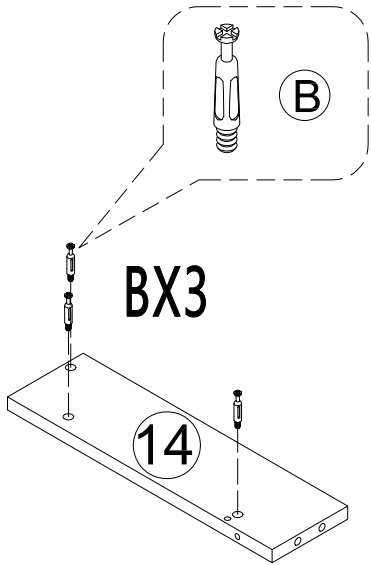
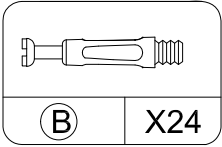
# STEP 3



# STEP 4

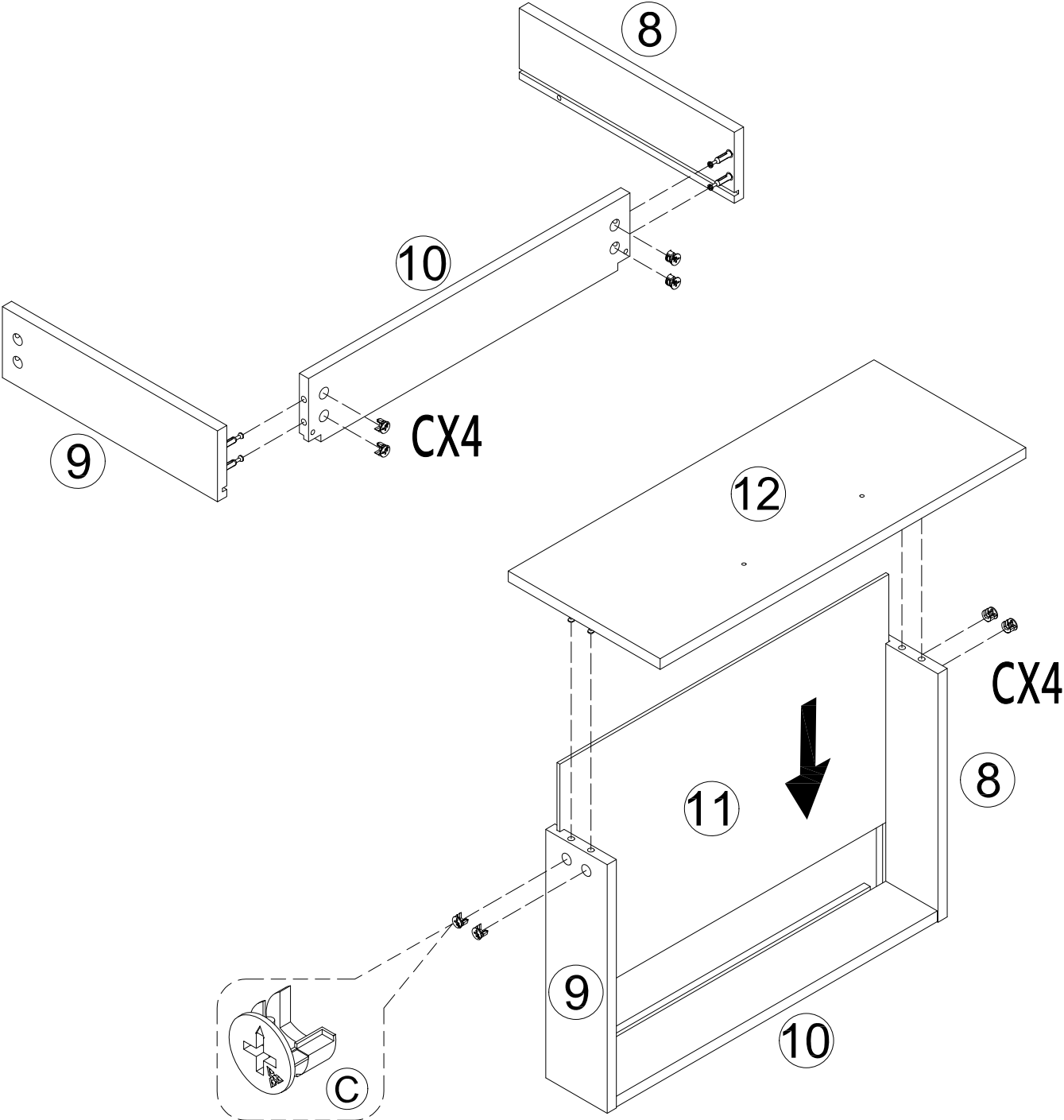
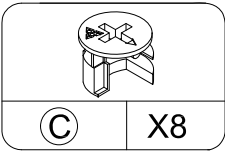


# STEP 5

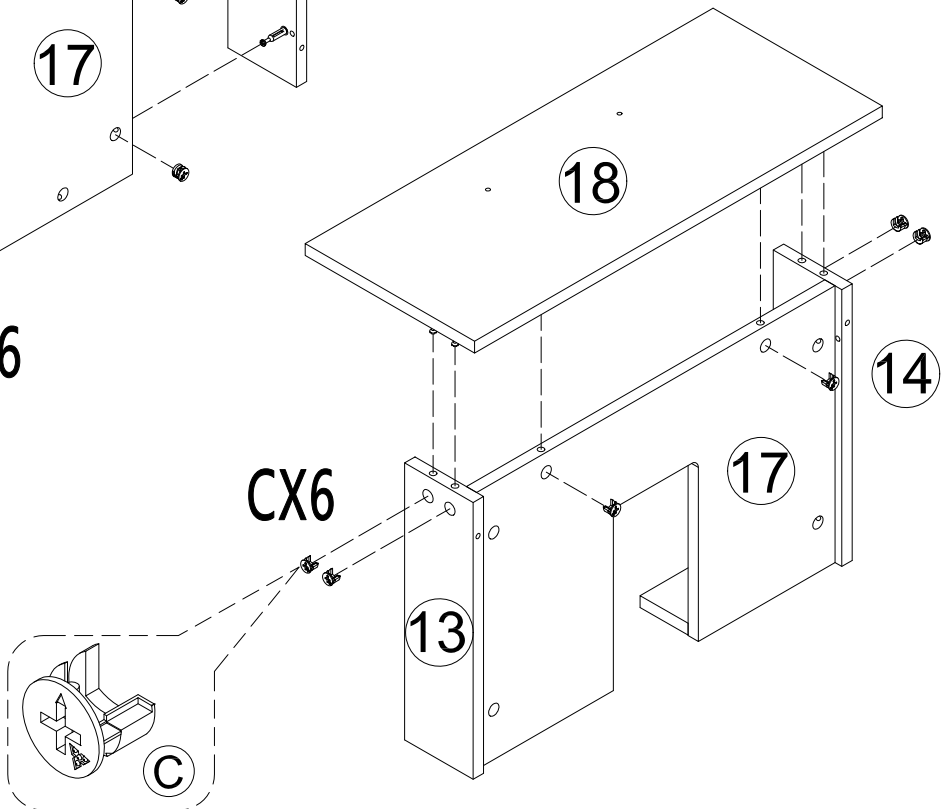
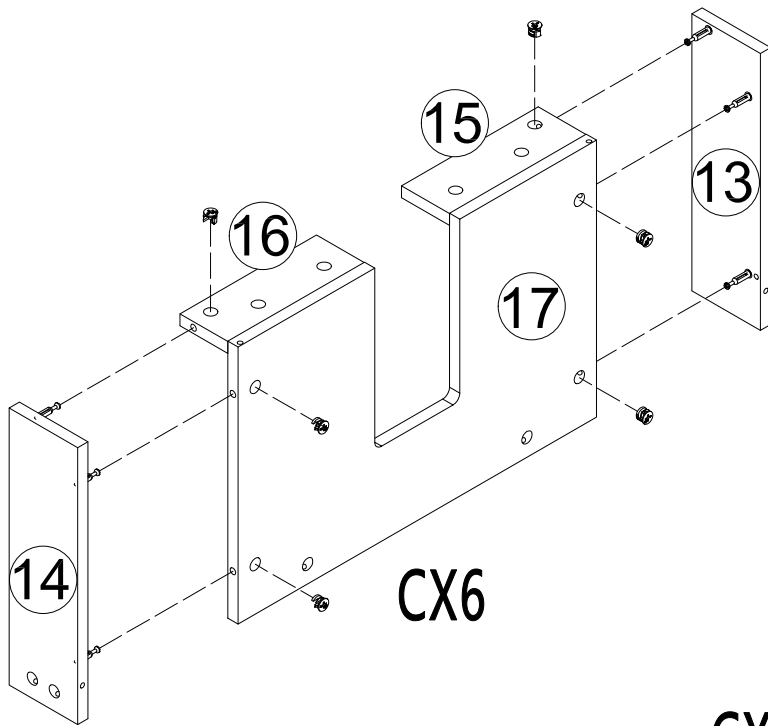
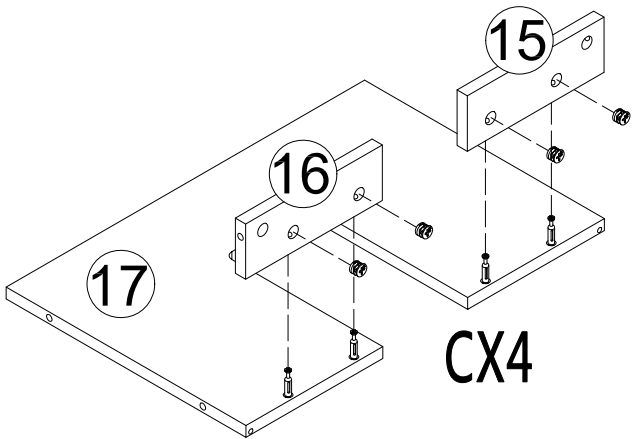
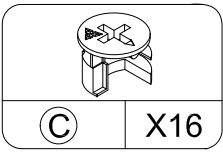




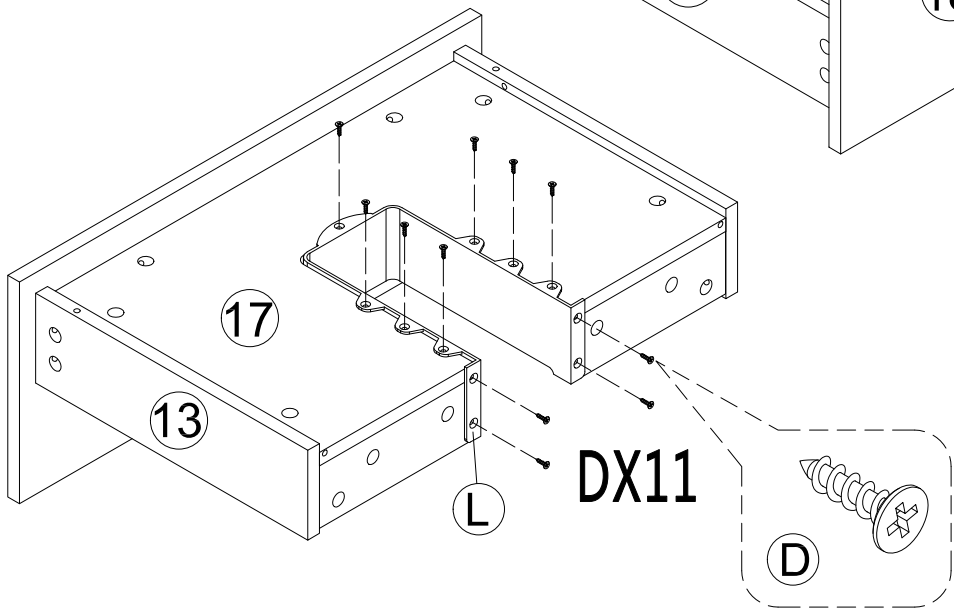
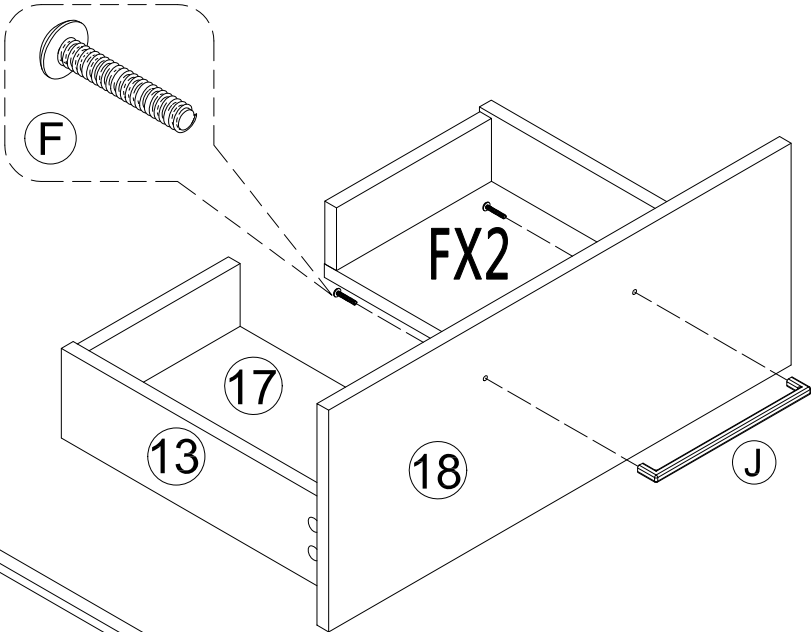
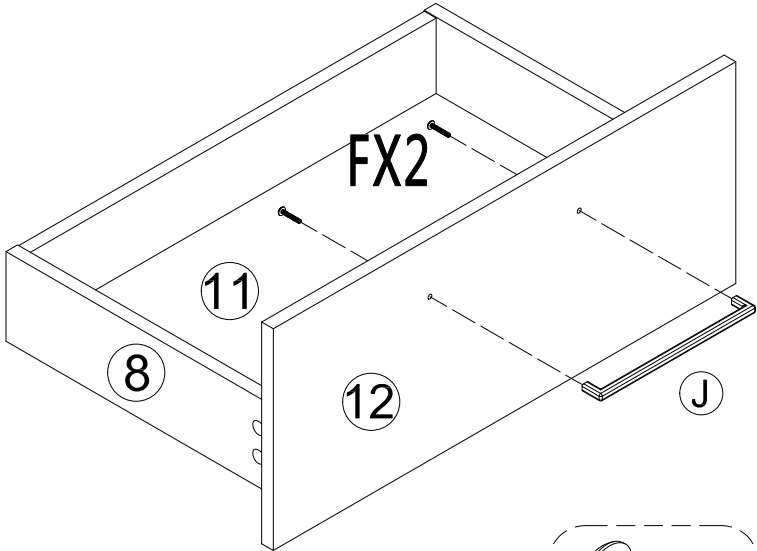
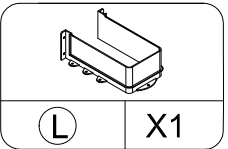
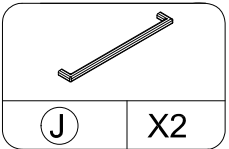
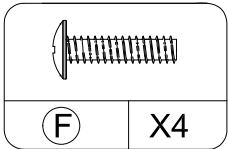
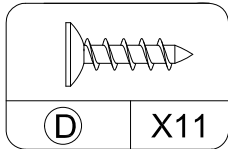
# STEP 6



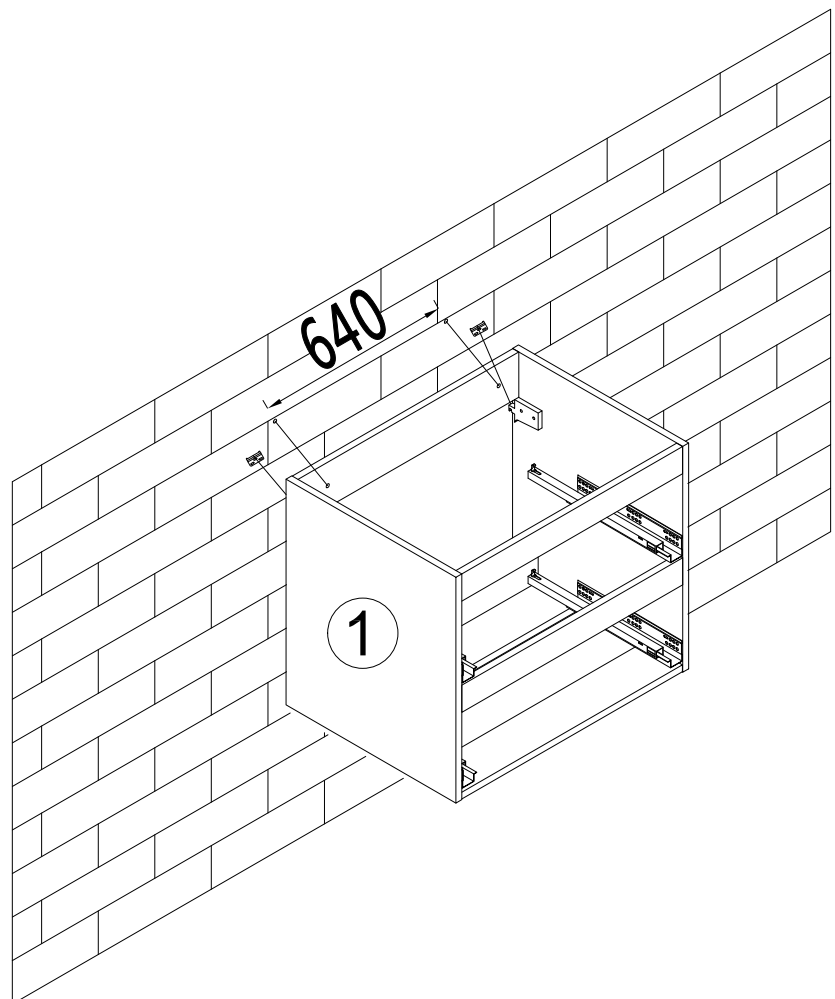
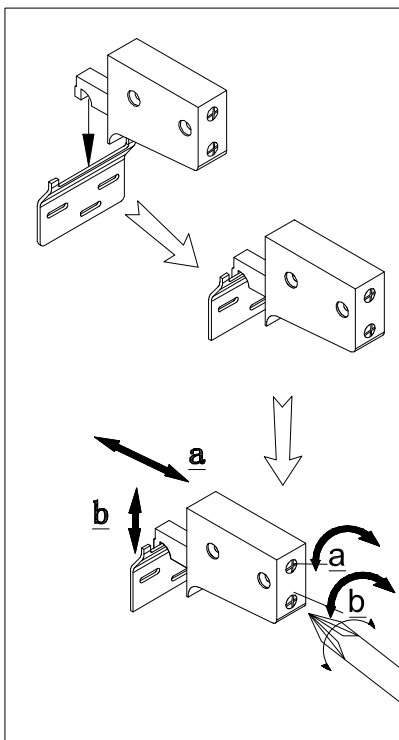
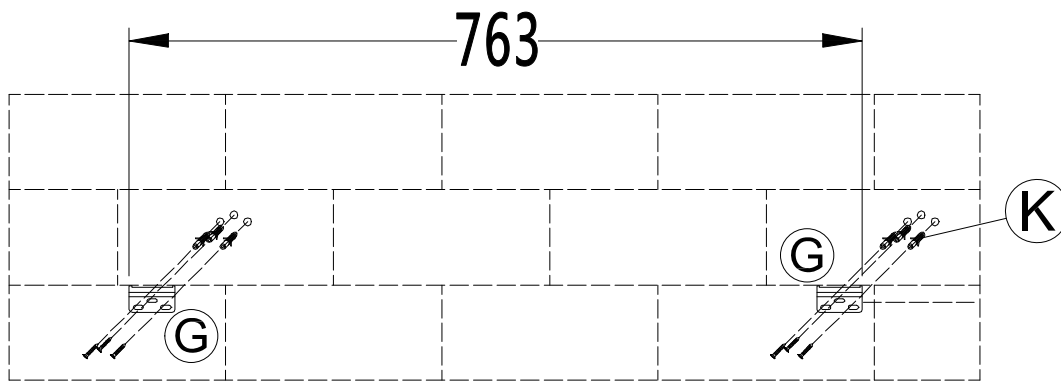
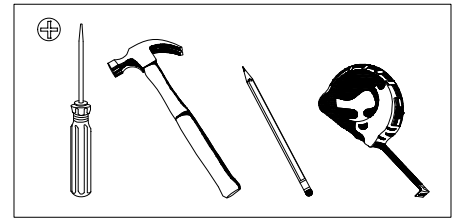
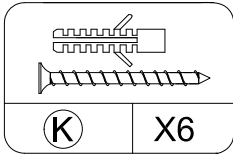
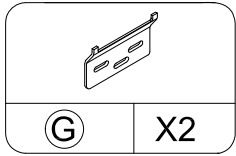
# STEP 7



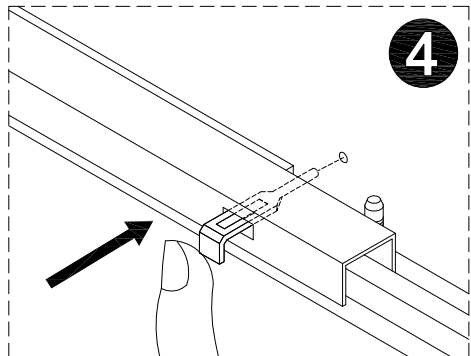
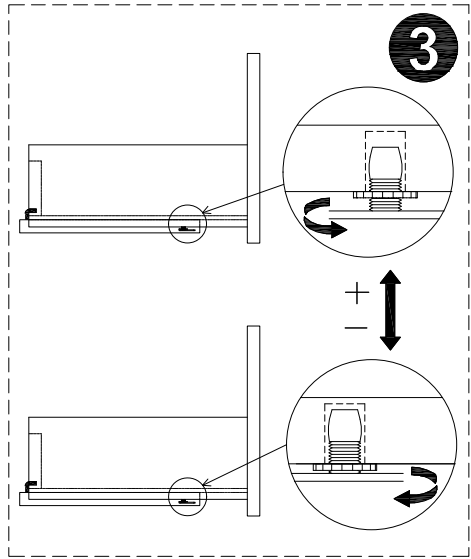
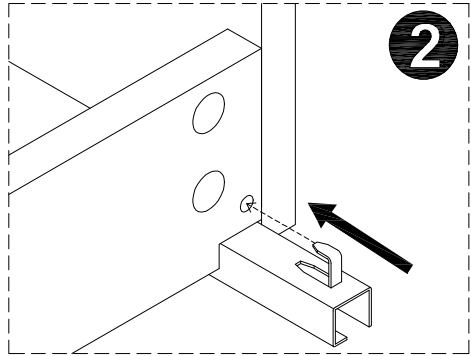
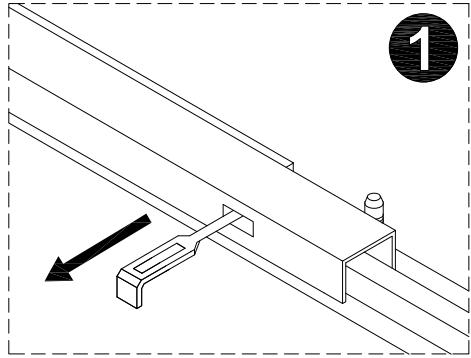
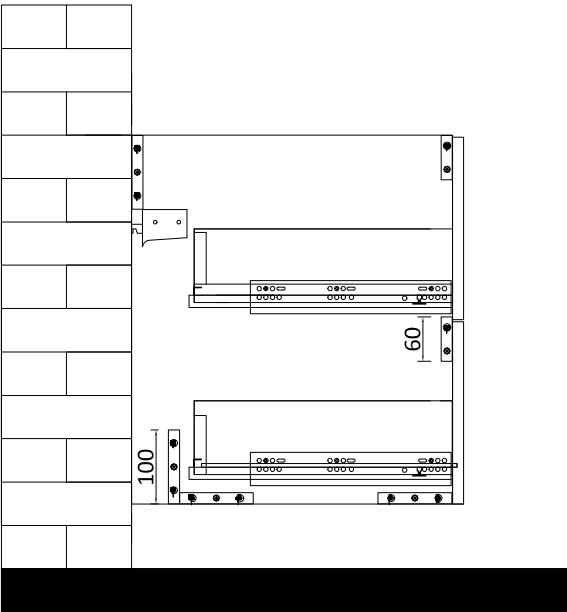
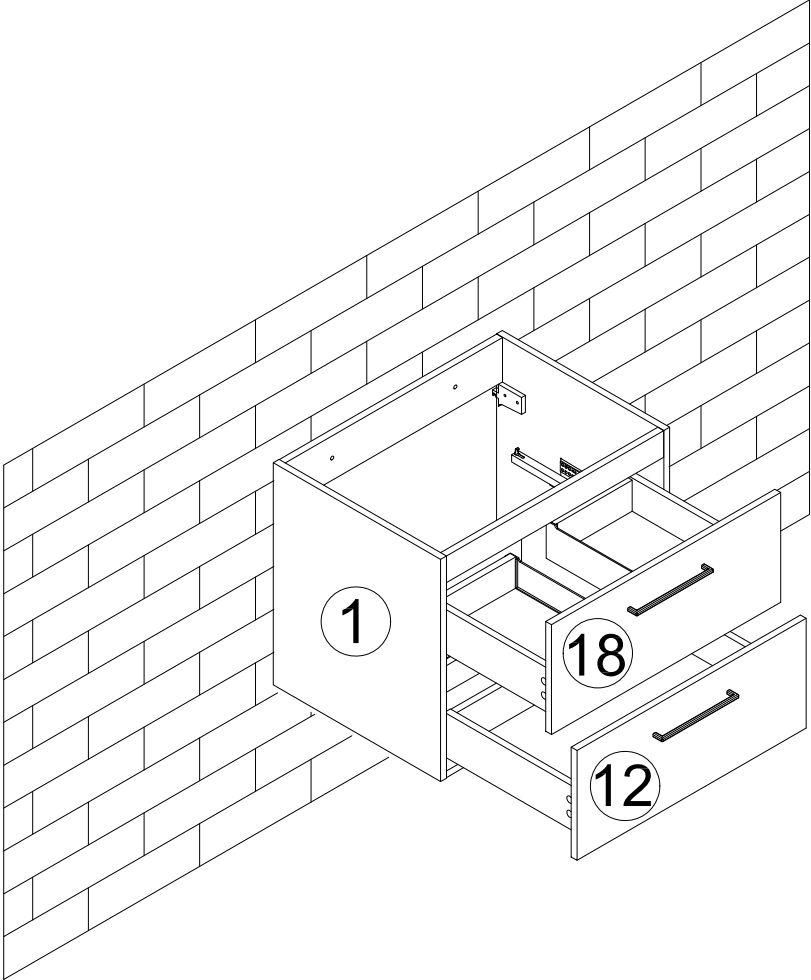
# STEP 8



# STEP 9



# STEP 10



# STEP 11

