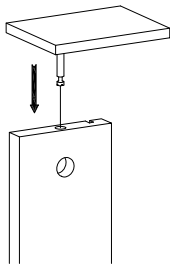
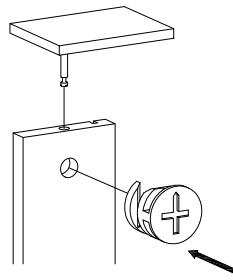


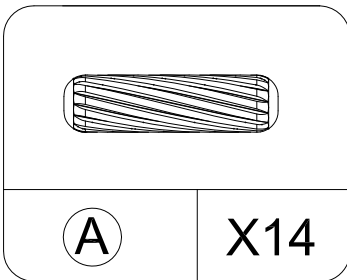
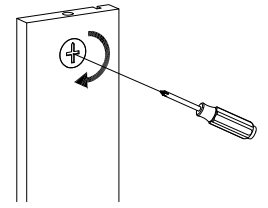
1



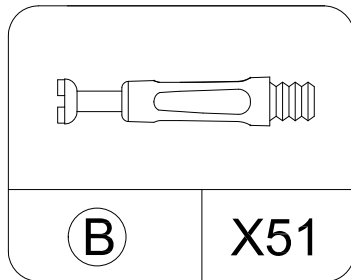
2



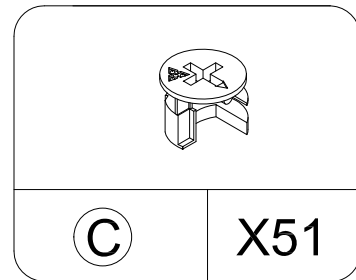
3



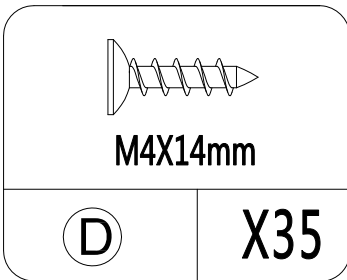
(A) X14



(B) X51

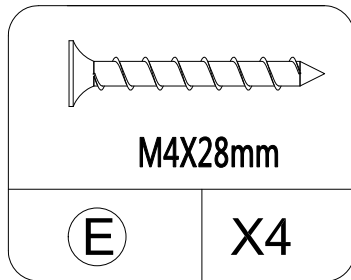


(C) X51



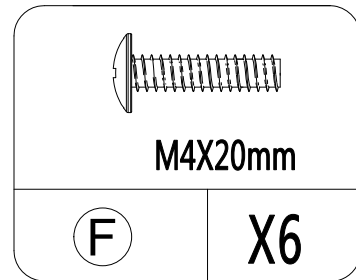
M4X14mm

(D) X35



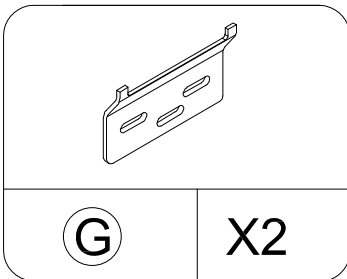
M4X28mm

(E) X4

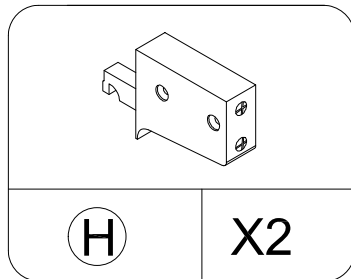


M4X20mm

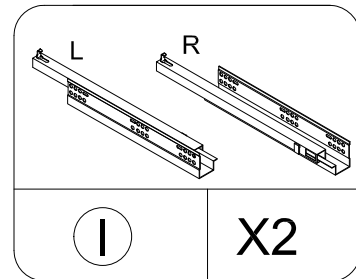
(F) X6



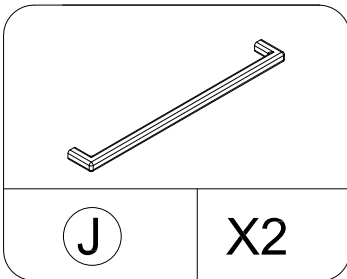
(G) X2



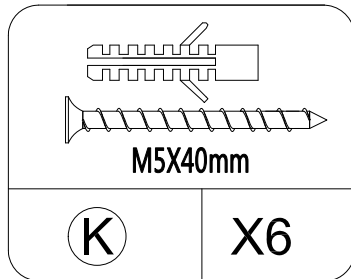
(H) X2



(I) X2

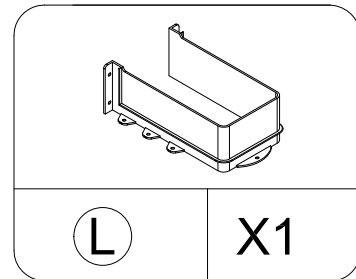


(J) X2

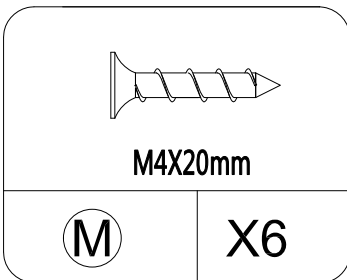


M5X40mm

(K) X6

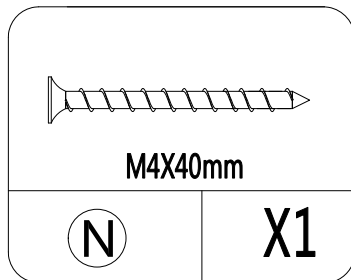


(L) X1



M4X20mm

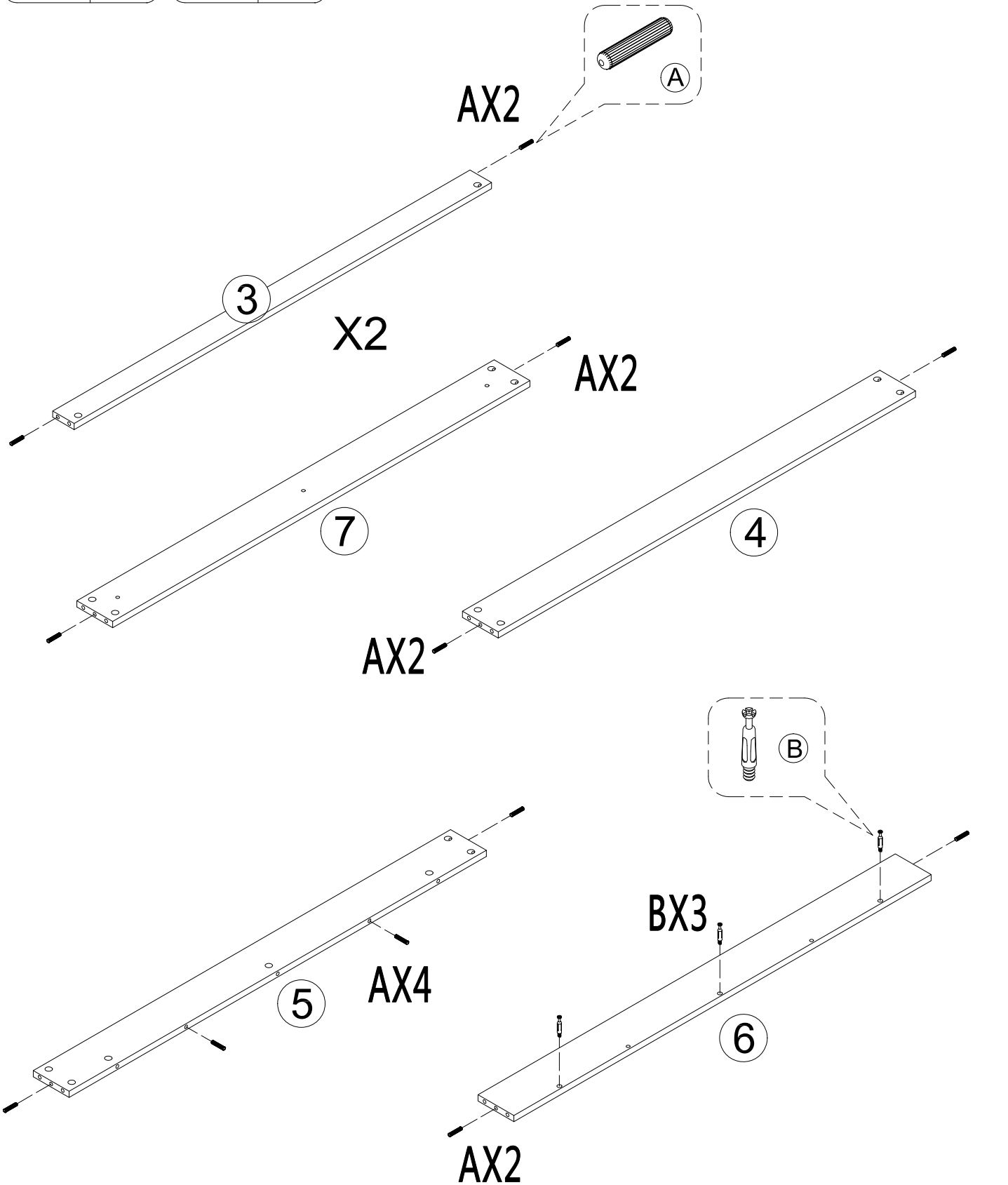
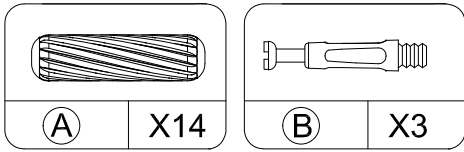
(M) X6



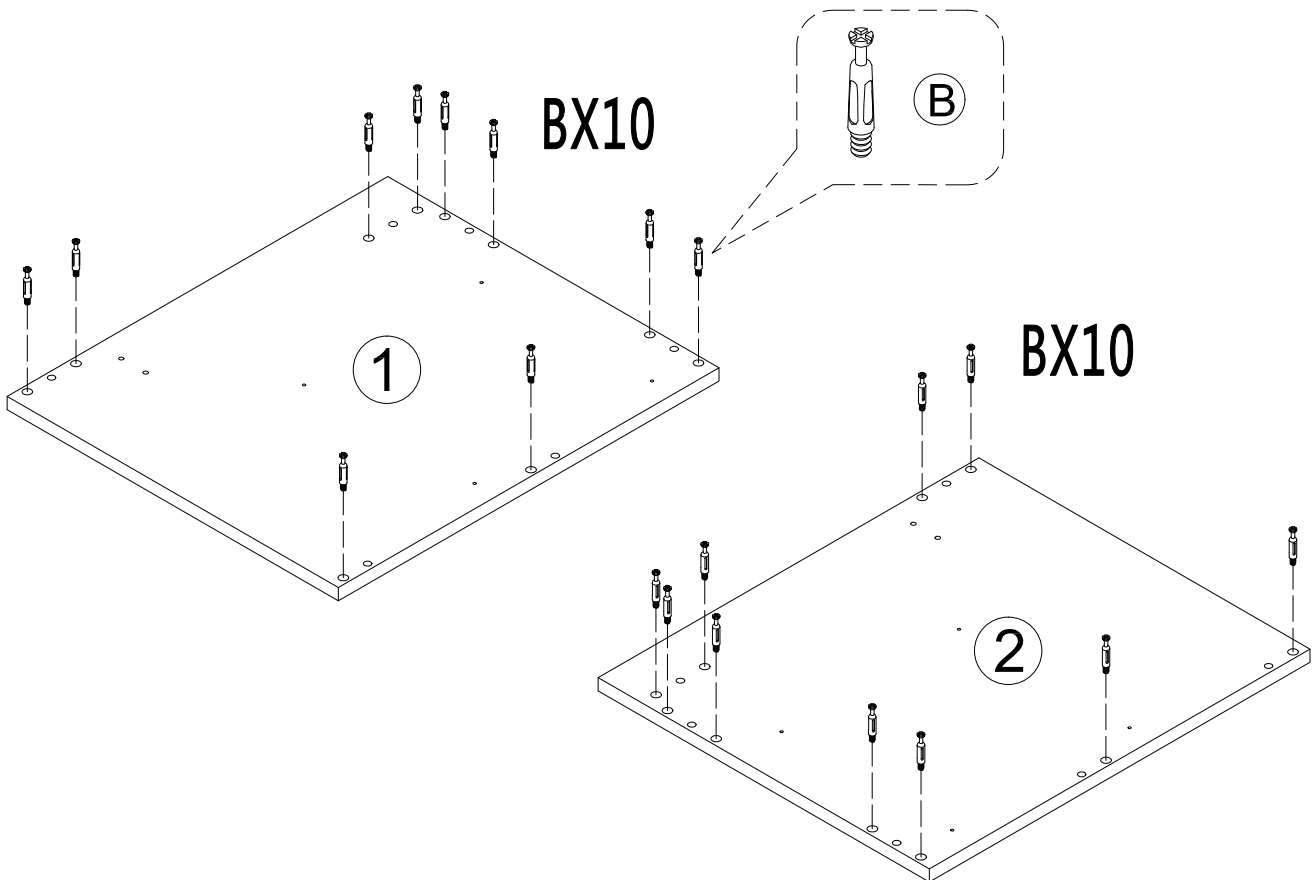
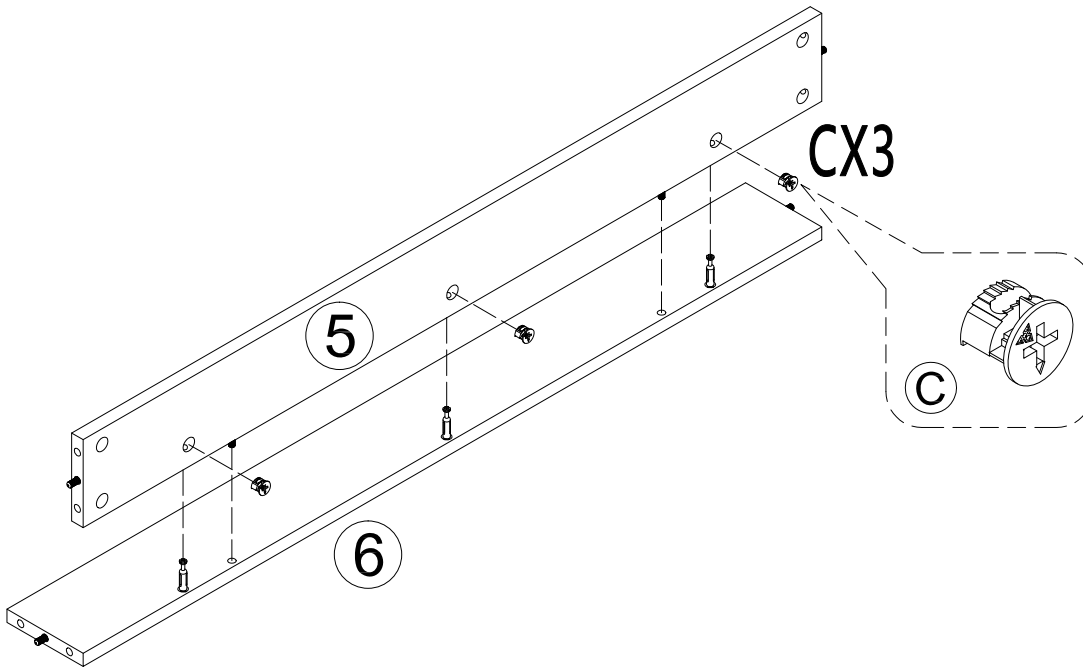
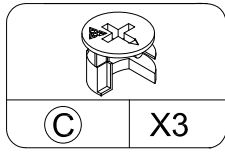
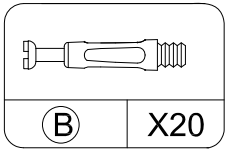
M4X40mm

(N) X1

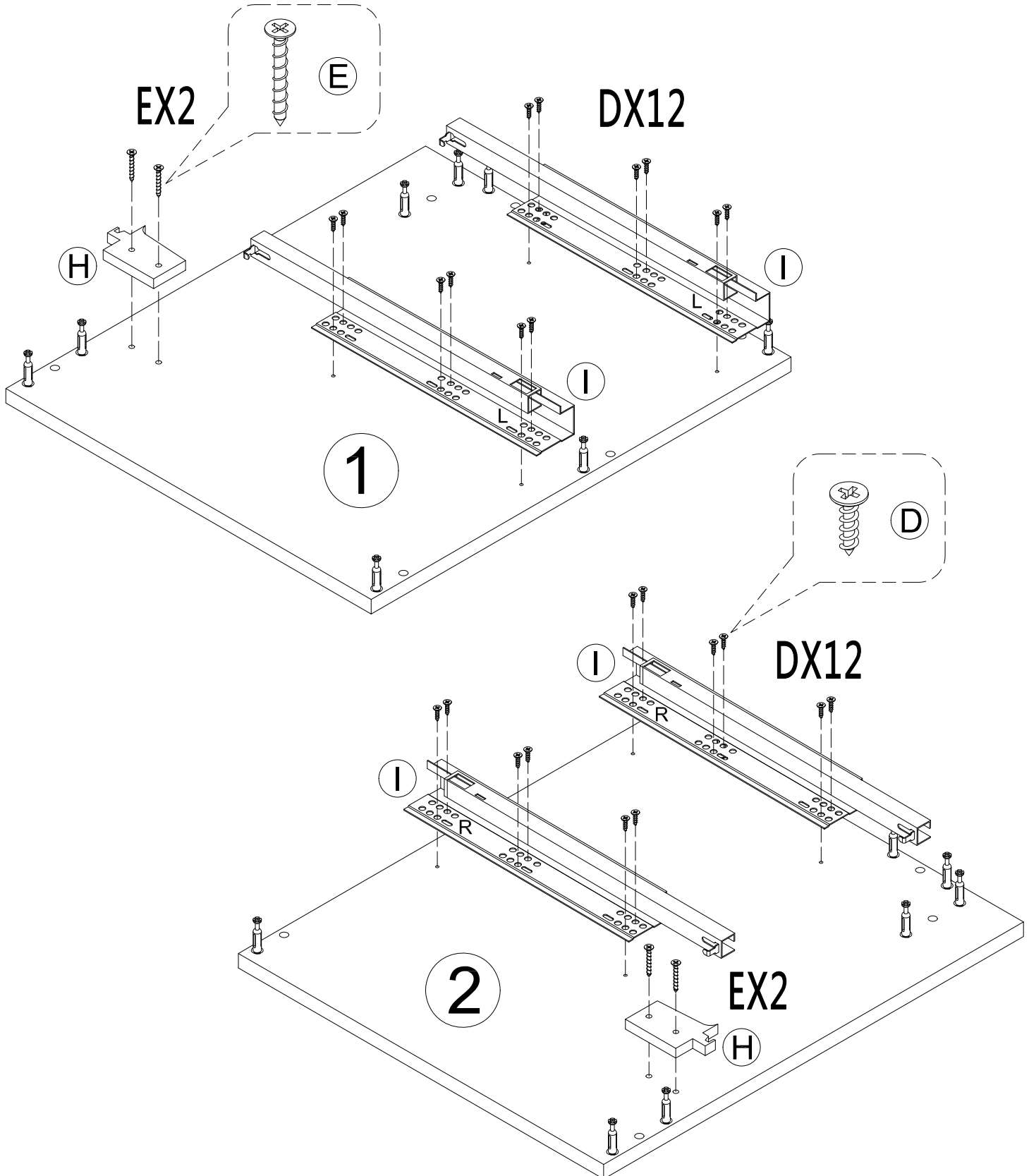
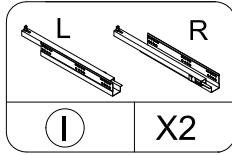
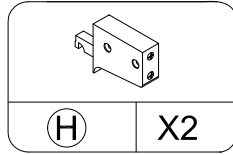
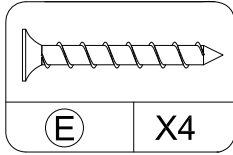
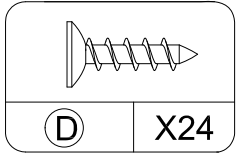
STEP 1



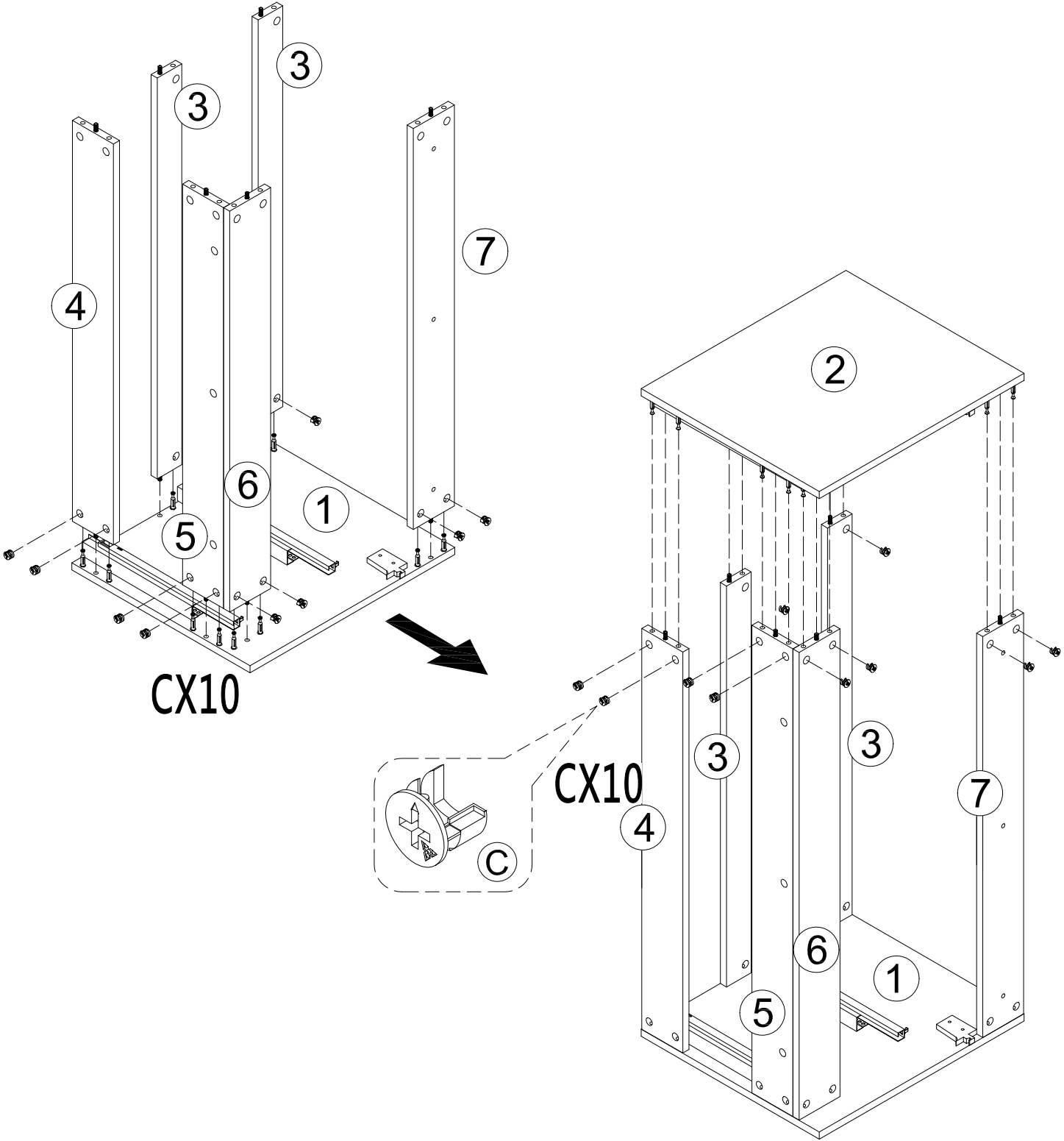
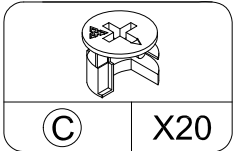
STEP 2



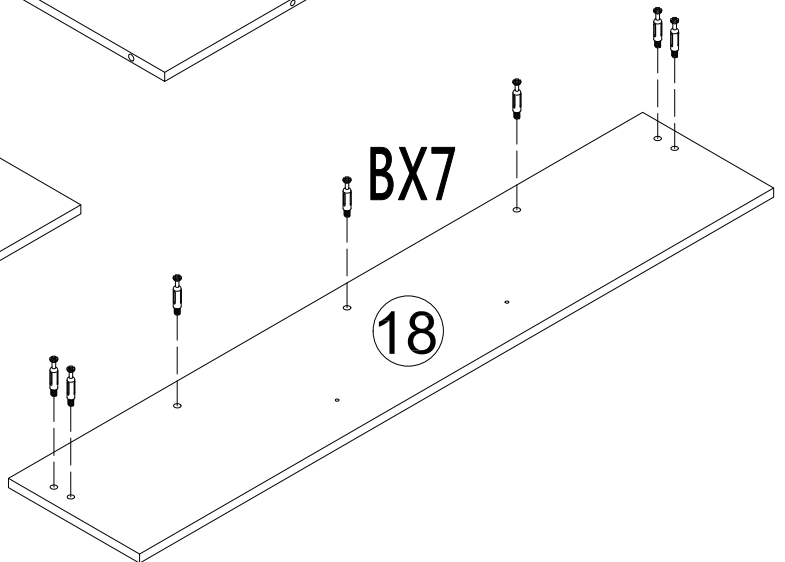
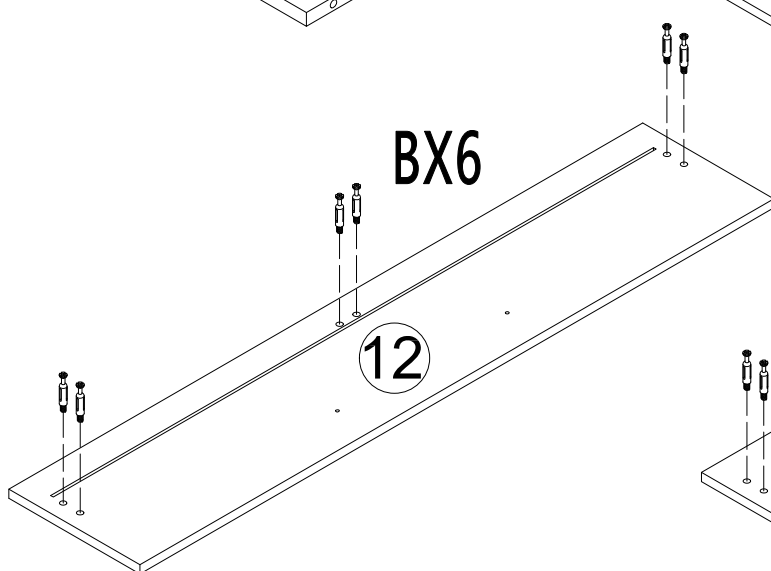
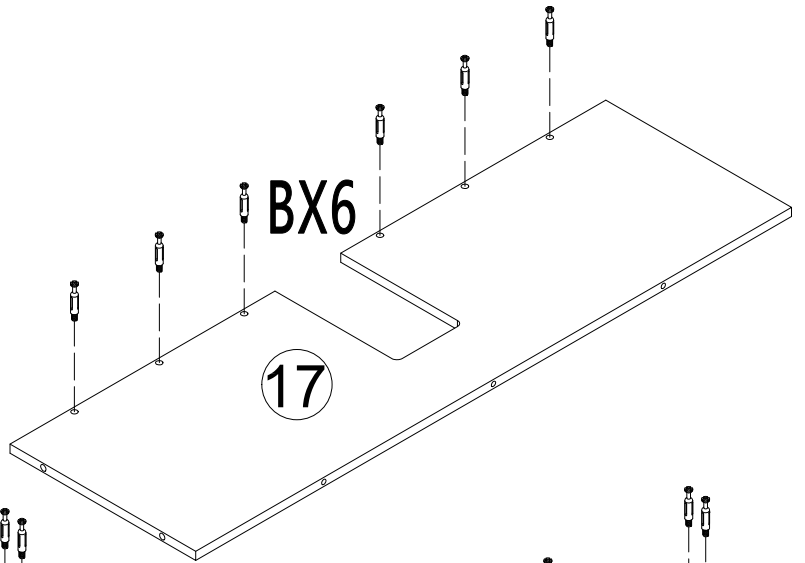
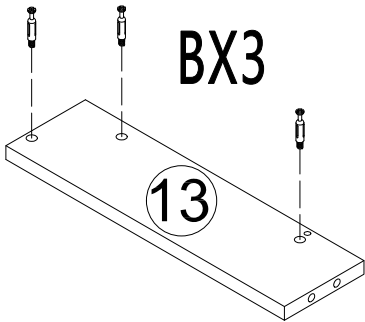
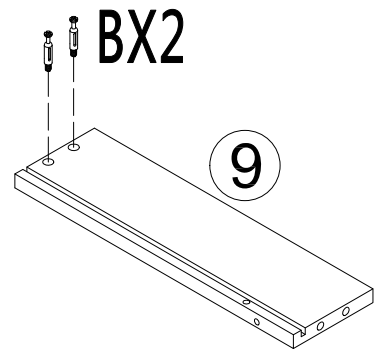
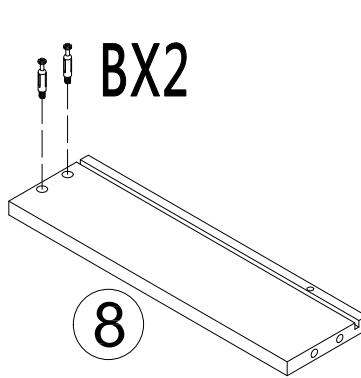
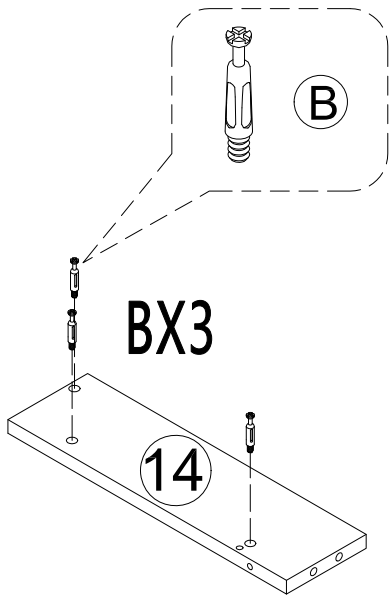
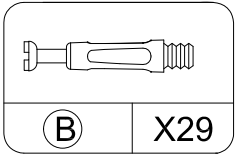
STEP 3



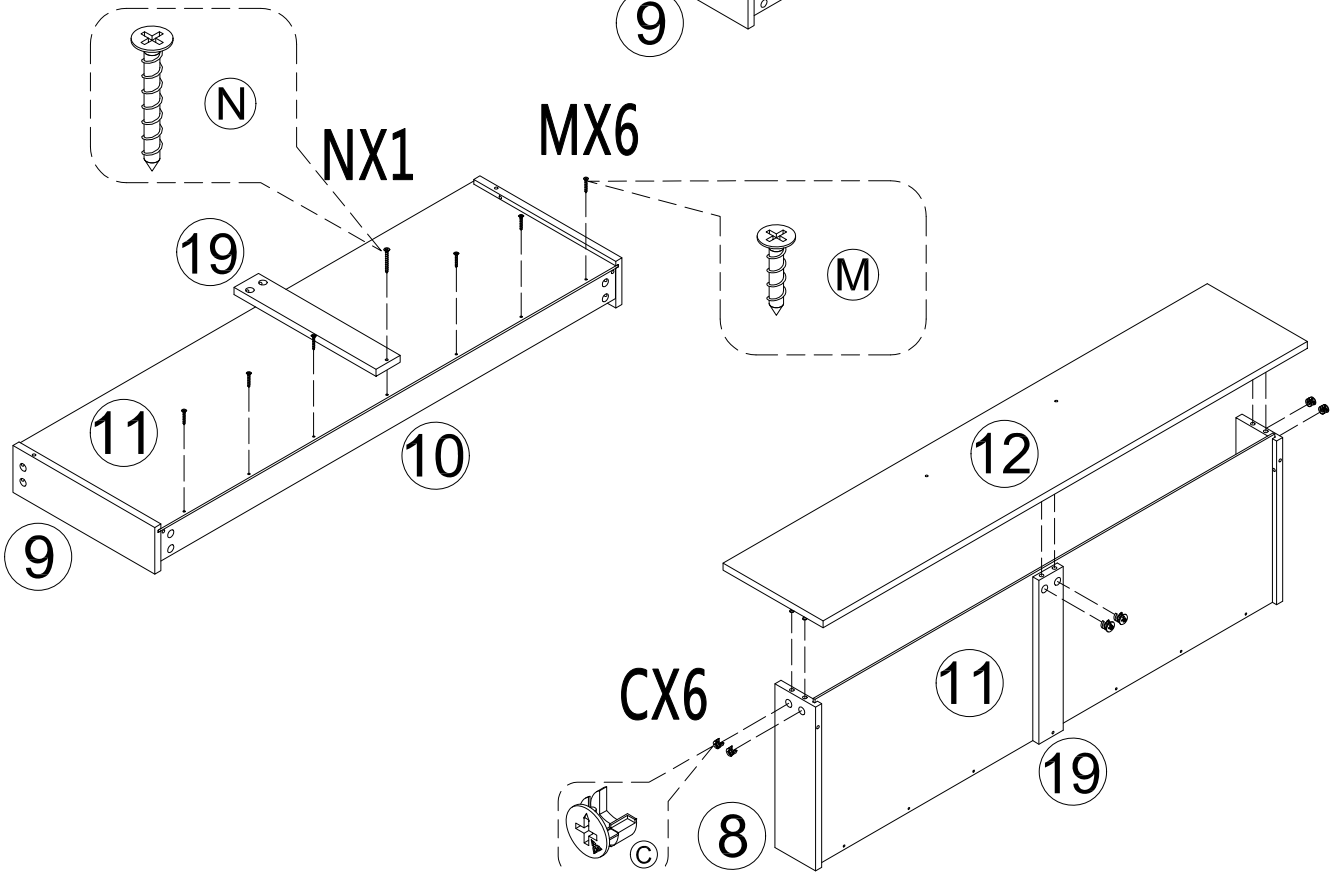
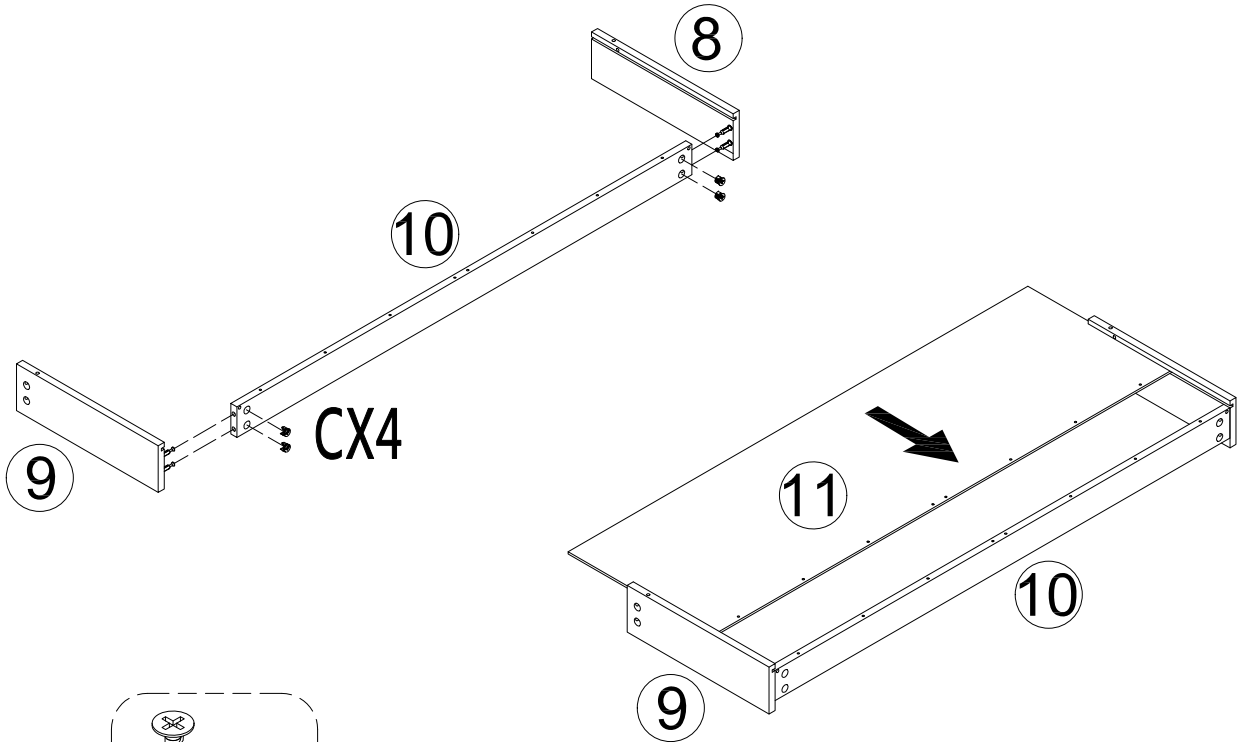
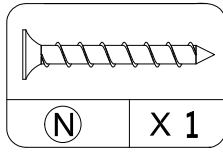
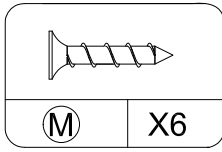
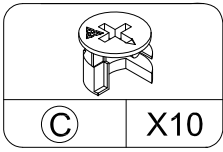
STEP 4



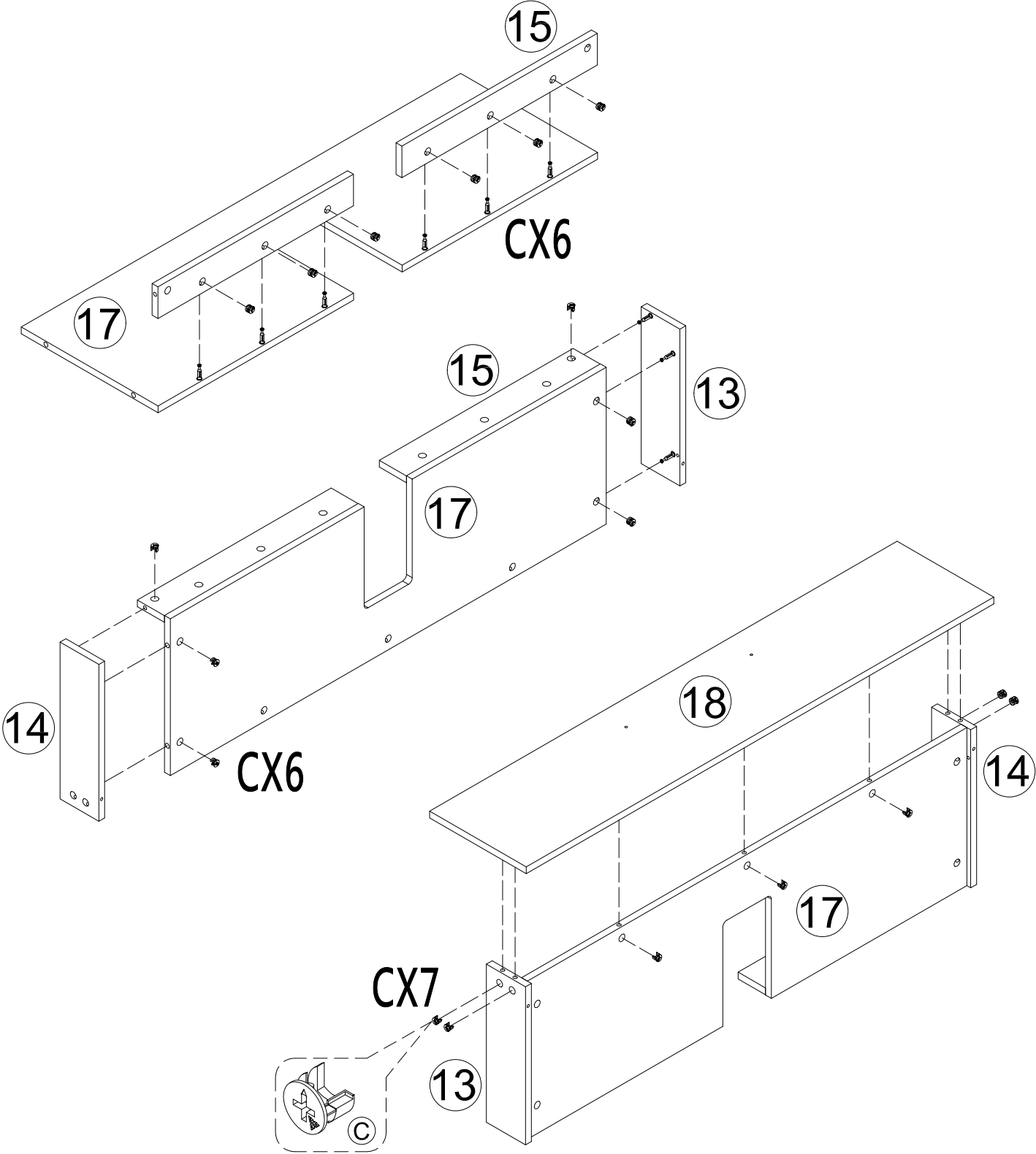
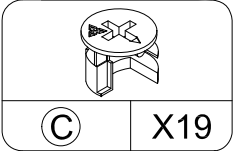
STEP 5



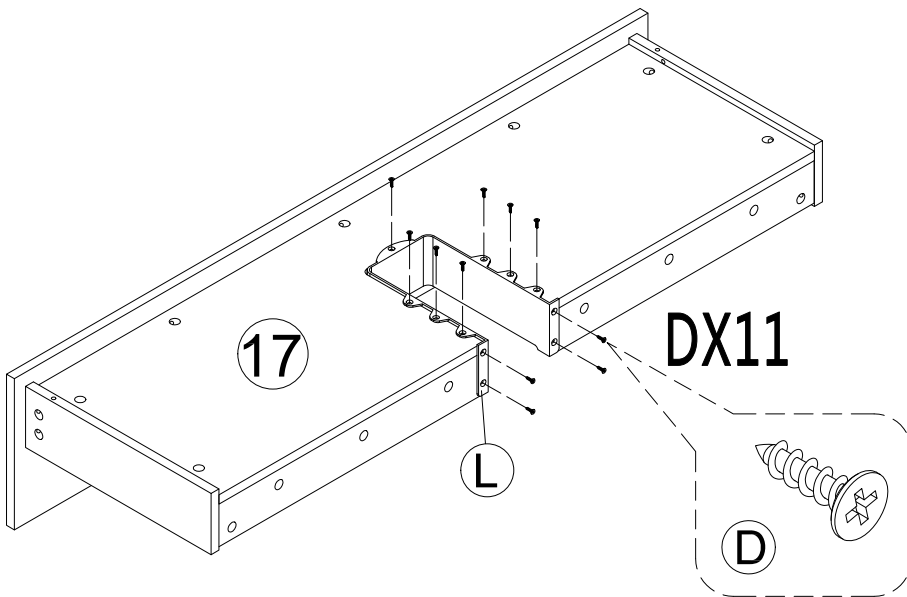
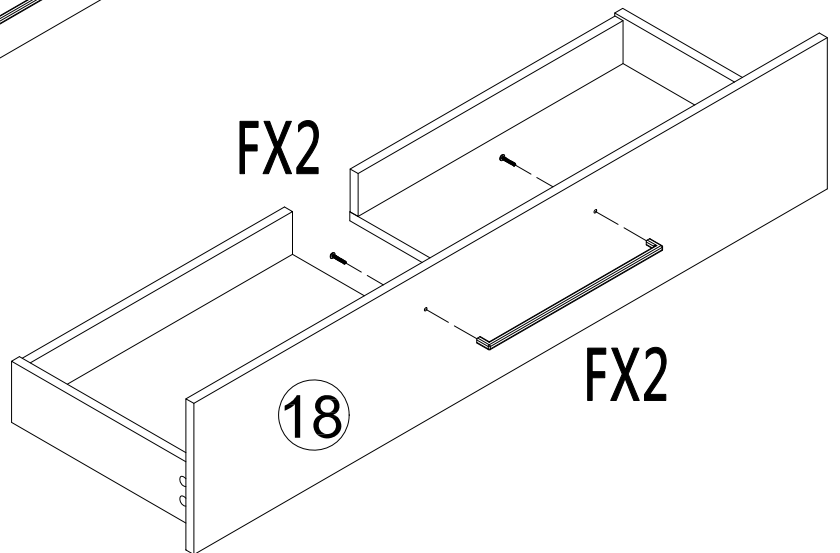
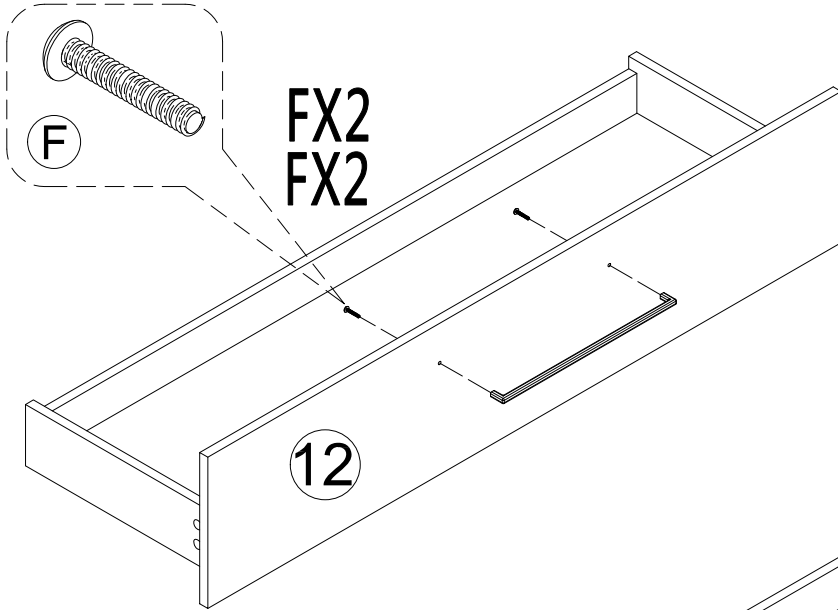
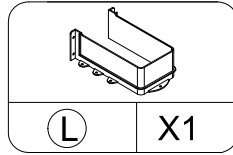
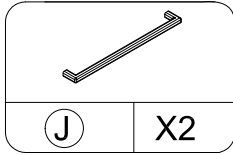
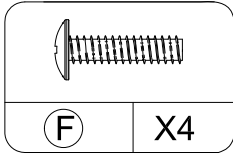
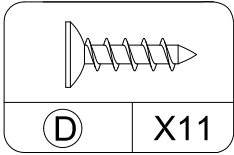
STEP 6



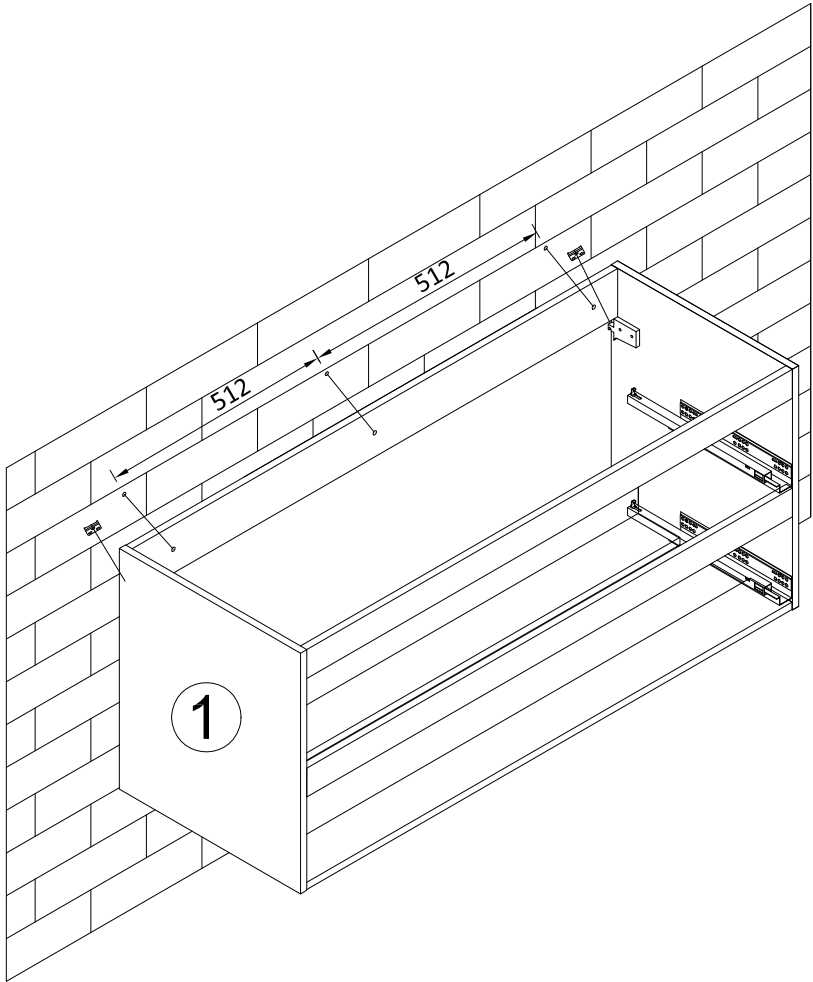
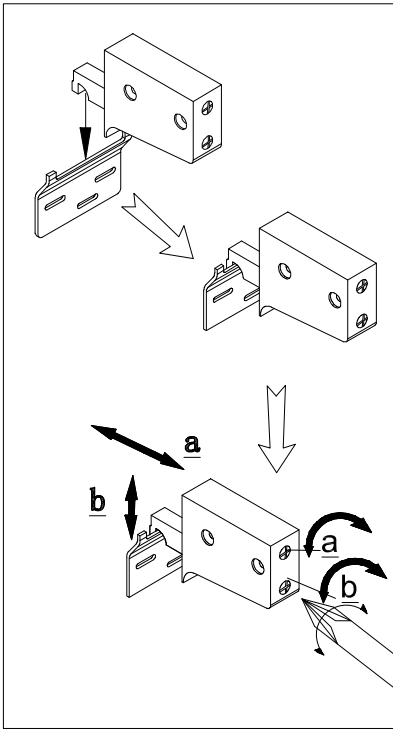
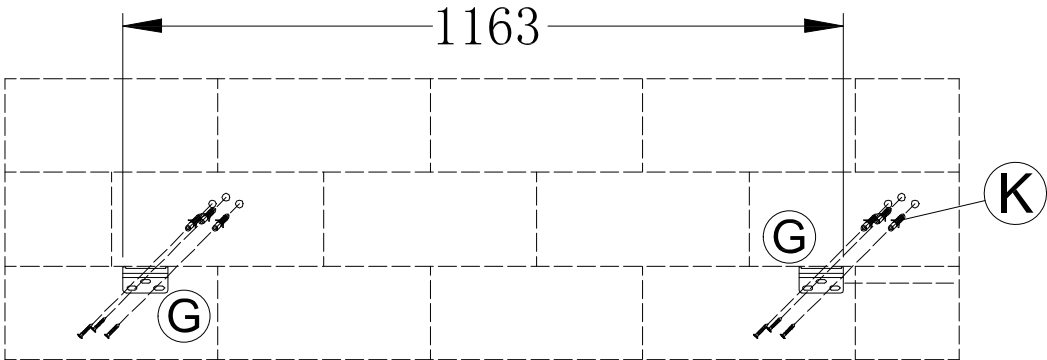
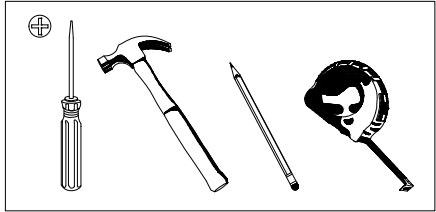
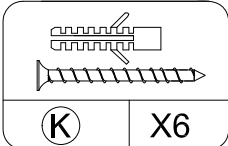
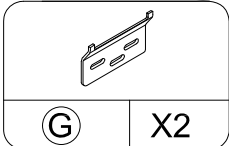
STEP 7



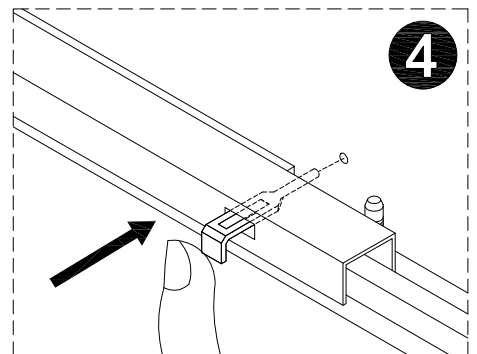
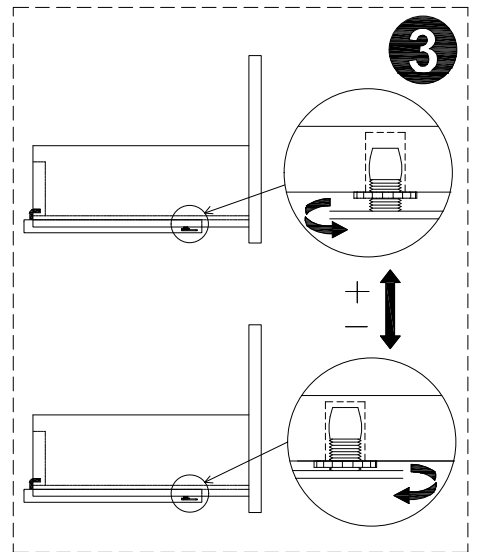
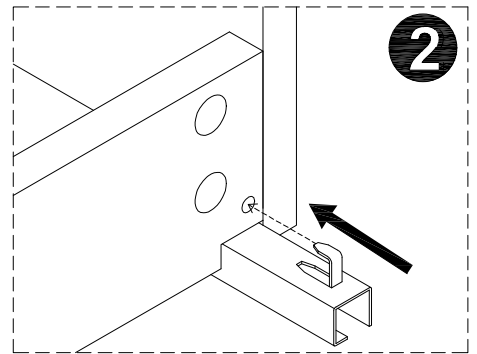
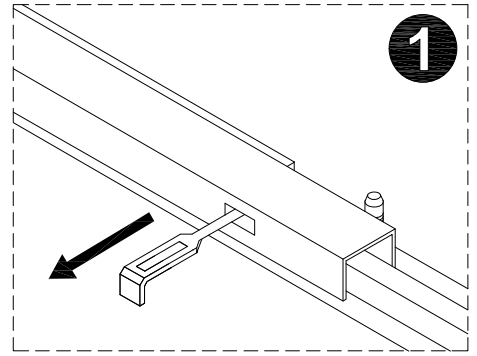
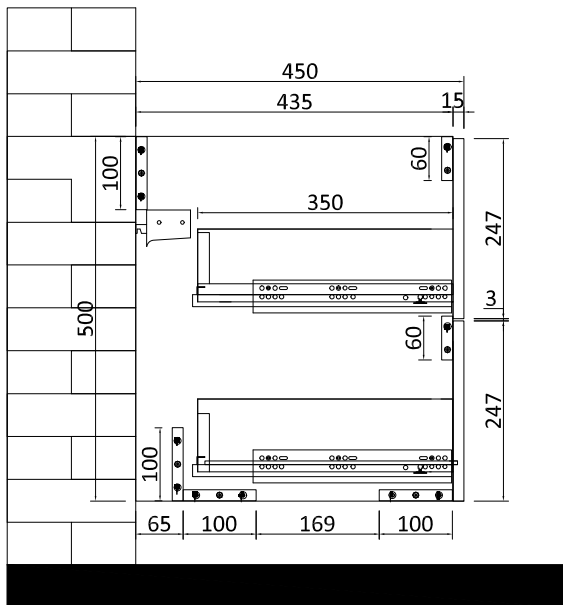
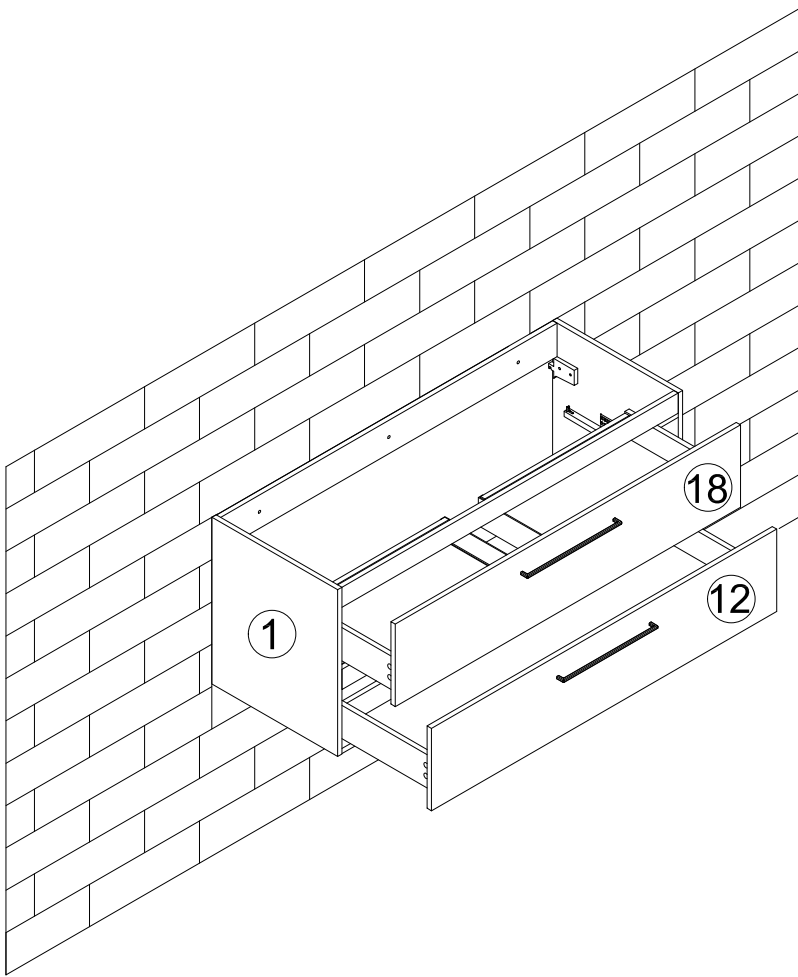
STEP 8



STEP 9



STEP 10



STEP 11

