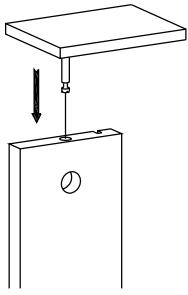
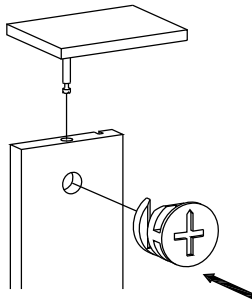


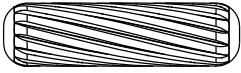
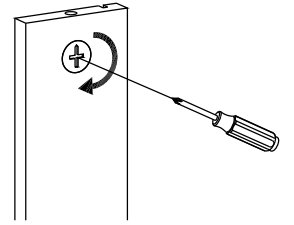
1



2

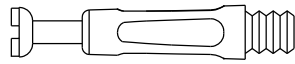


3



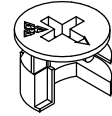
A

X24



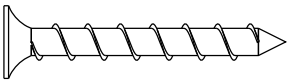
B

X18



C

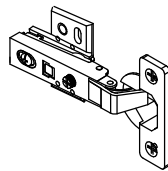
X18



M4X14mm

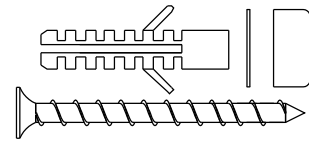
D

X24



E

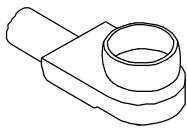
X4



M6X60mm

F

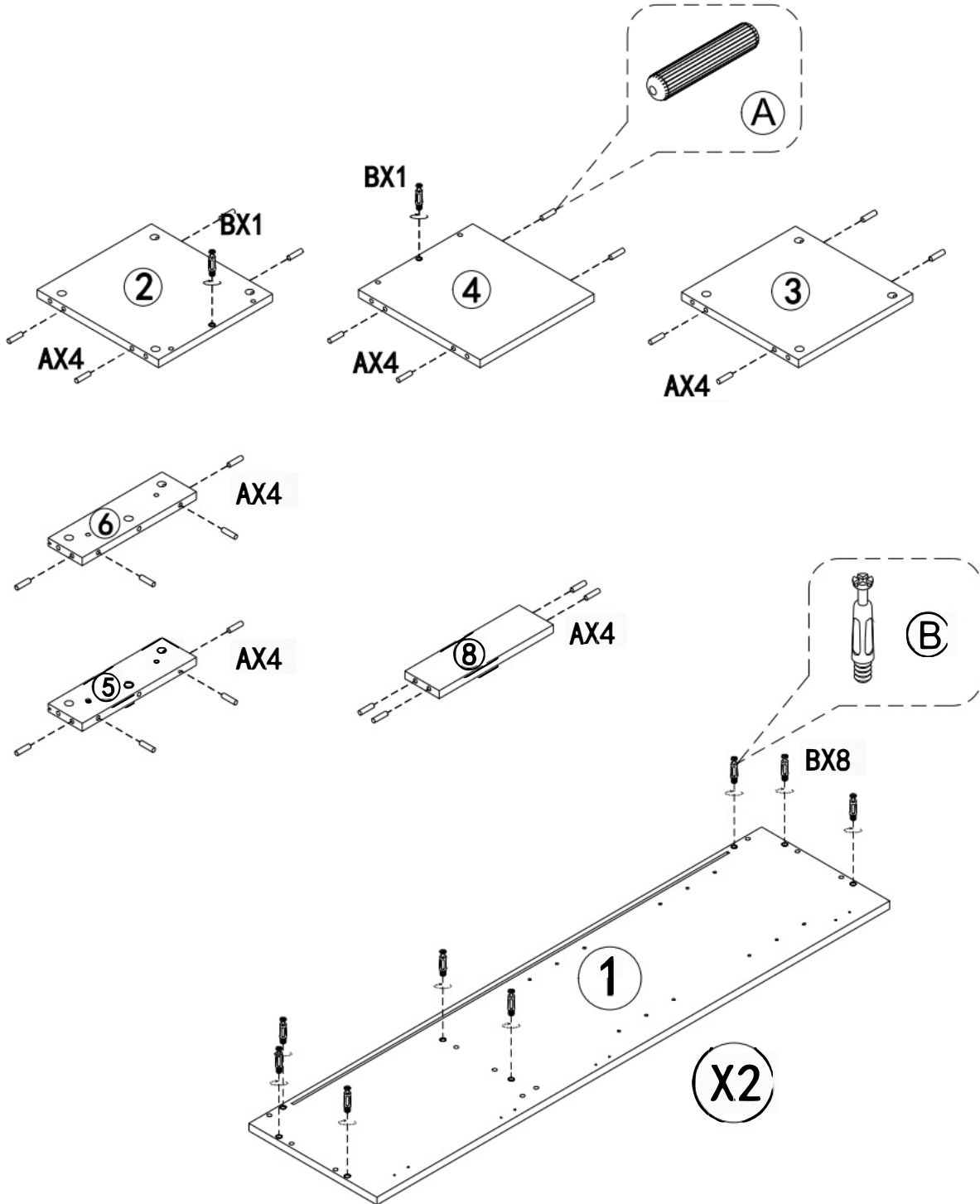
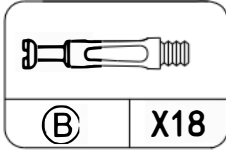
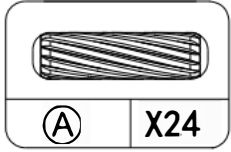
X4



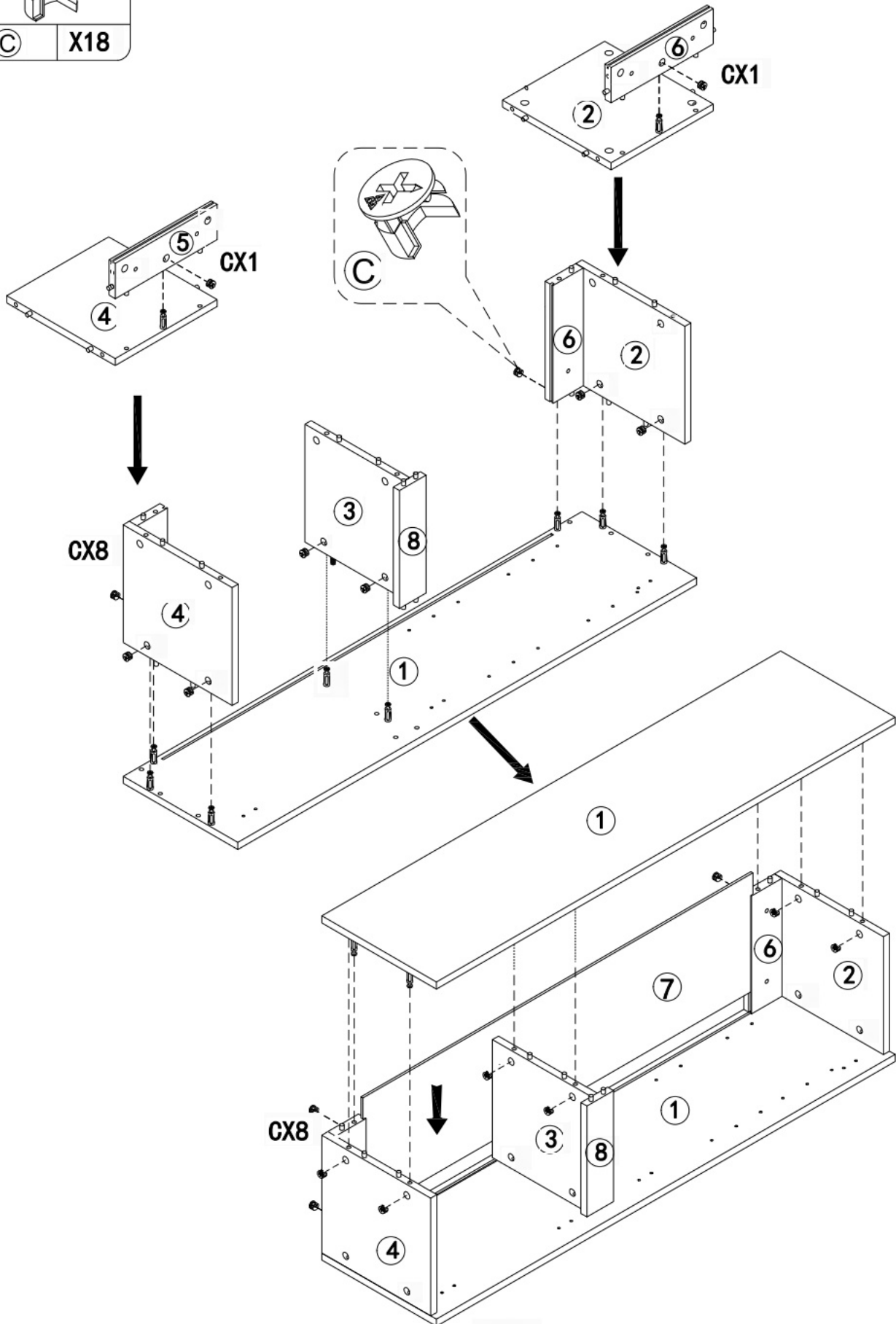
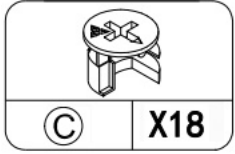
G

X8

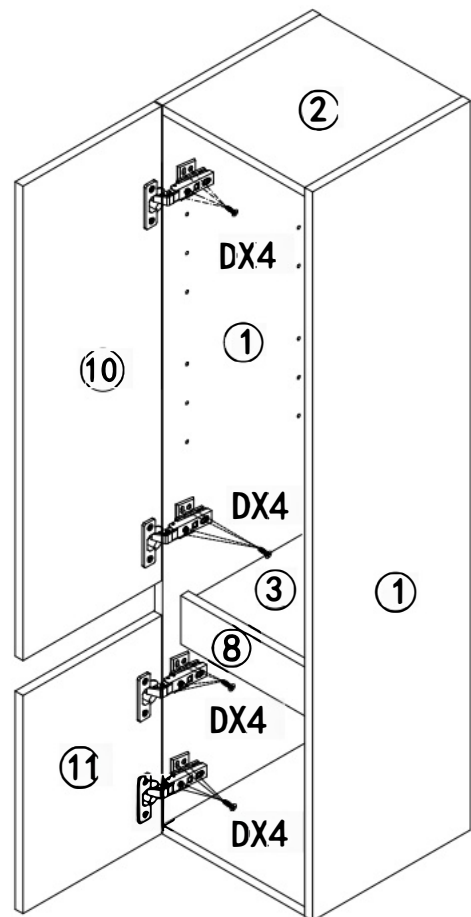
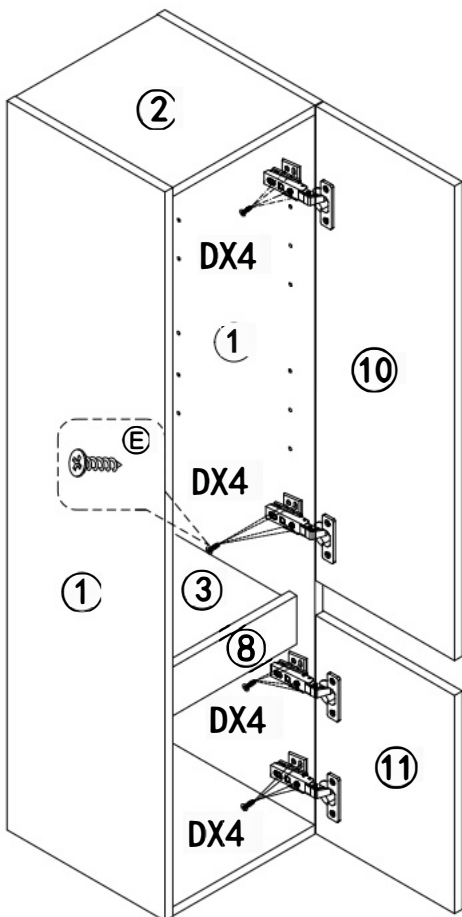
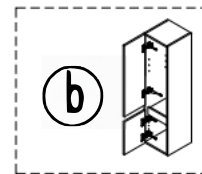
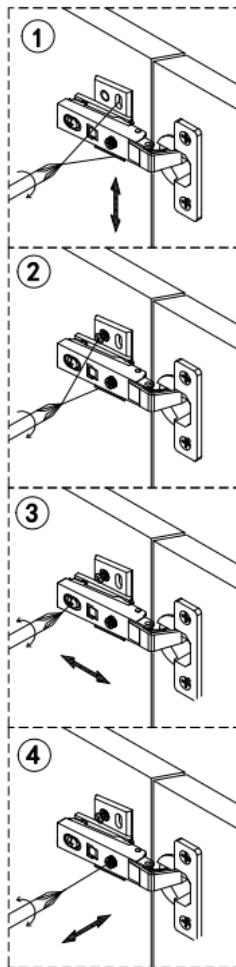
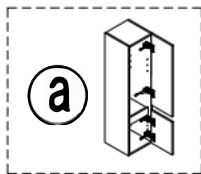
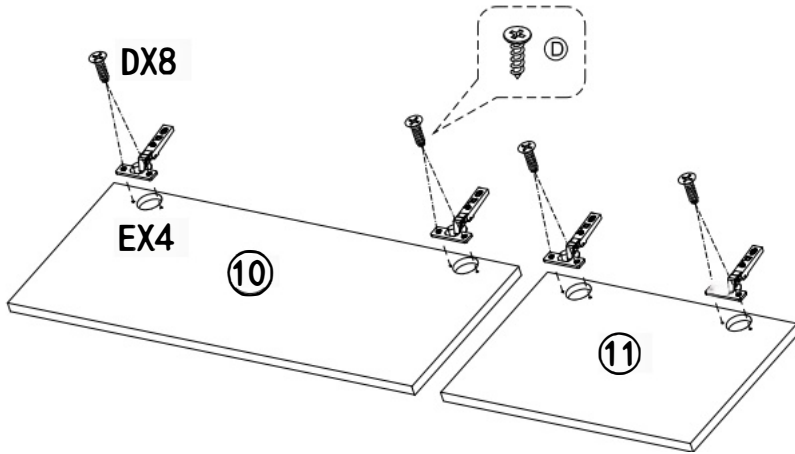
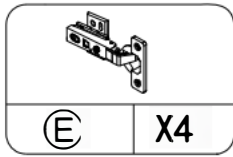
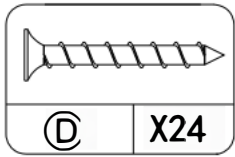
# STEP 1



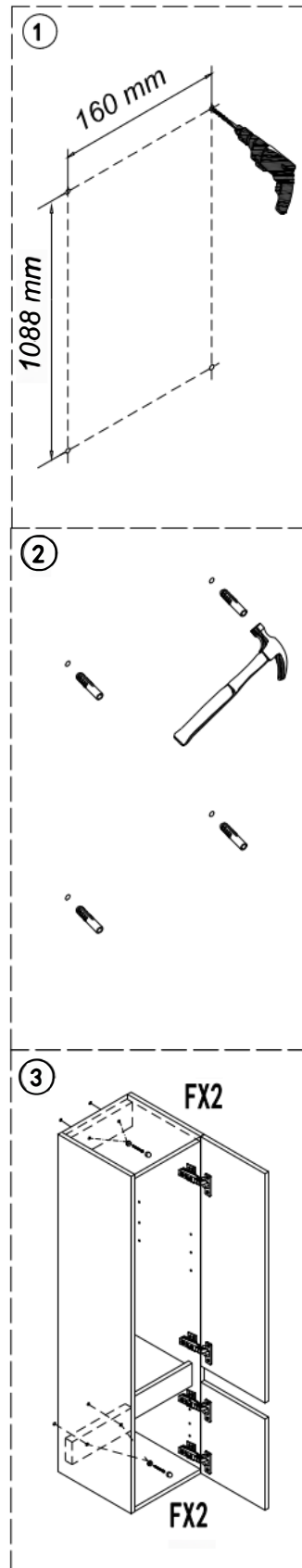
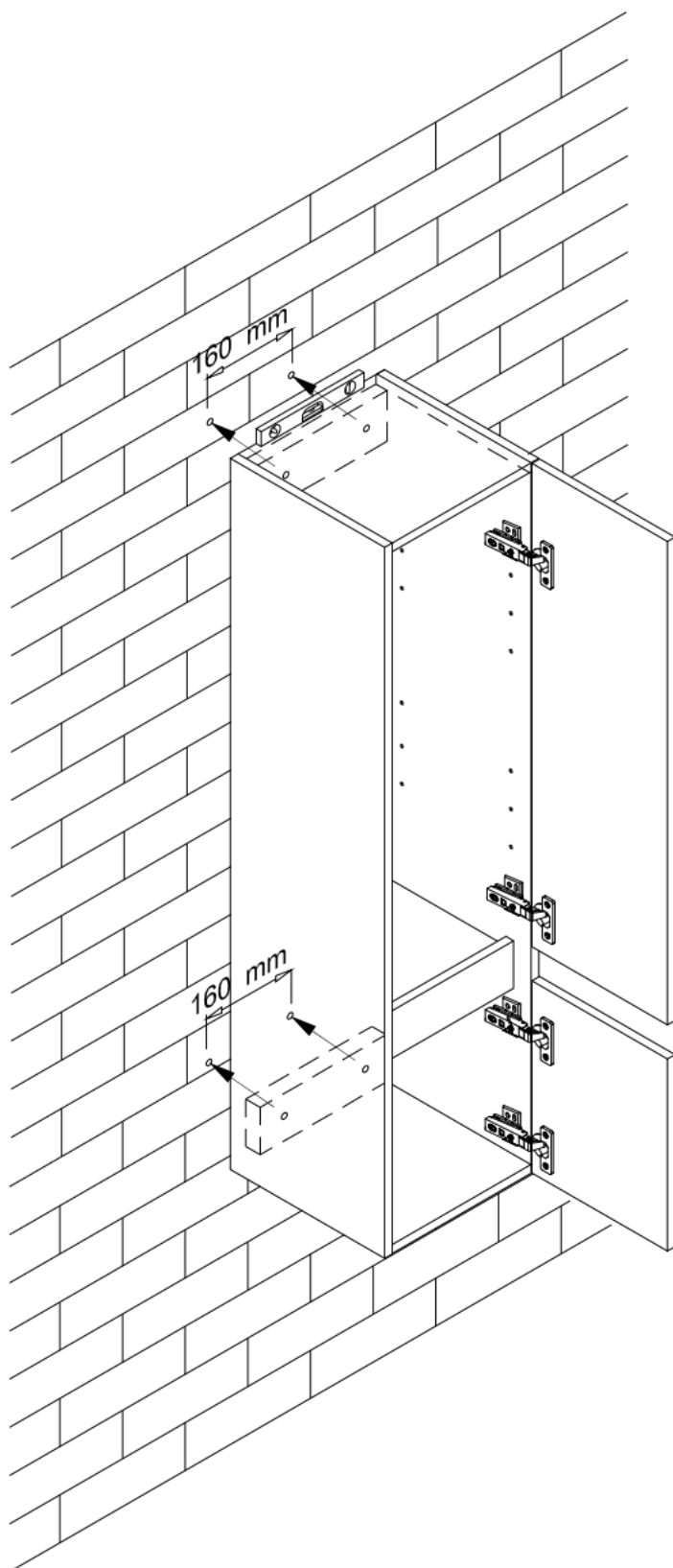
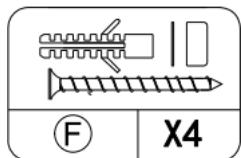
# STEP 2



# STEP 3



# STEP 4



# STEP 5

