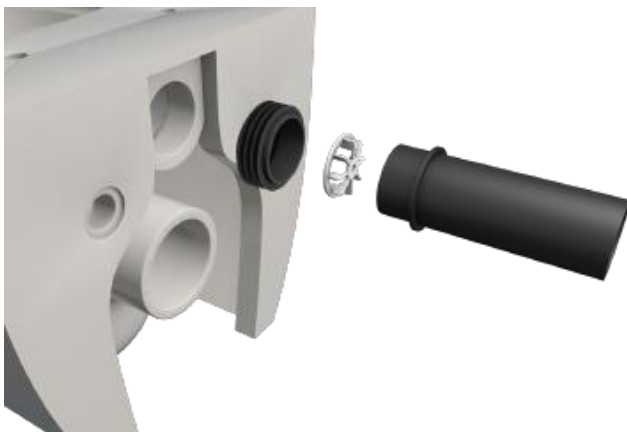


Flow reducer

In rimless WCs, strong water pressure can cause water to splash over or swirl. This can be remedied by reducing the water pressure in the cistern or by using the universal flow reducer.

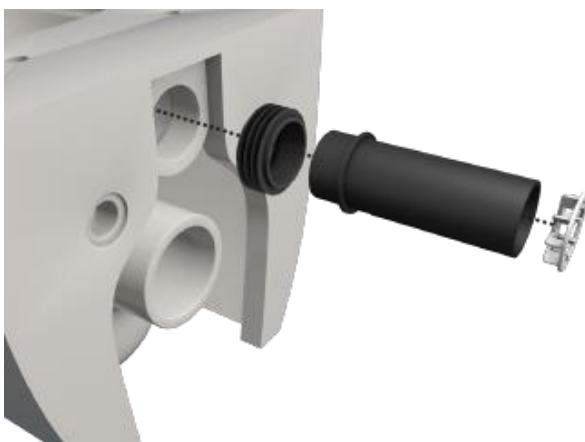
Below you will find the installation instructions for the flow reducer:



When mounted on
the ceramic side:

- 40%*

* Data are approx. values



When mounted on
the cistern side:

- 30%*

* Data are approx. values