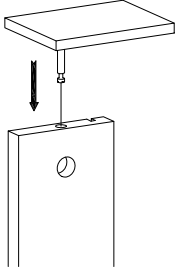
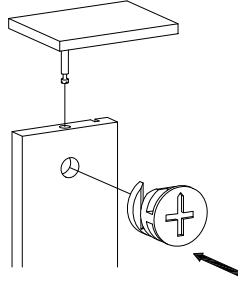


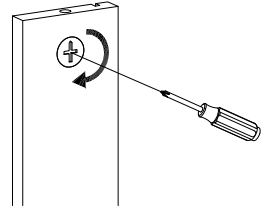
1



2

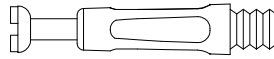


3



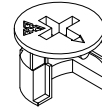
A

X13



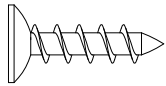
B

X27



C

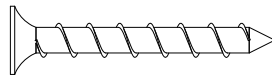
X27



M4X14mm

D

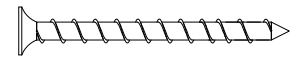
X47



M4X28mm

E

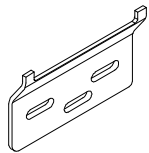
X6



M4X40mm

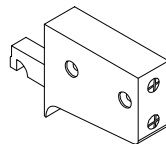
F

X13



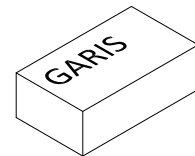
G

X3



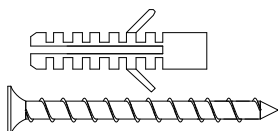
H

X3



I

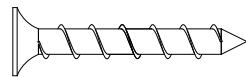
X2



M5X40mm

J

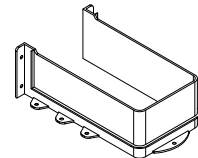
X9



M4X16mm

K

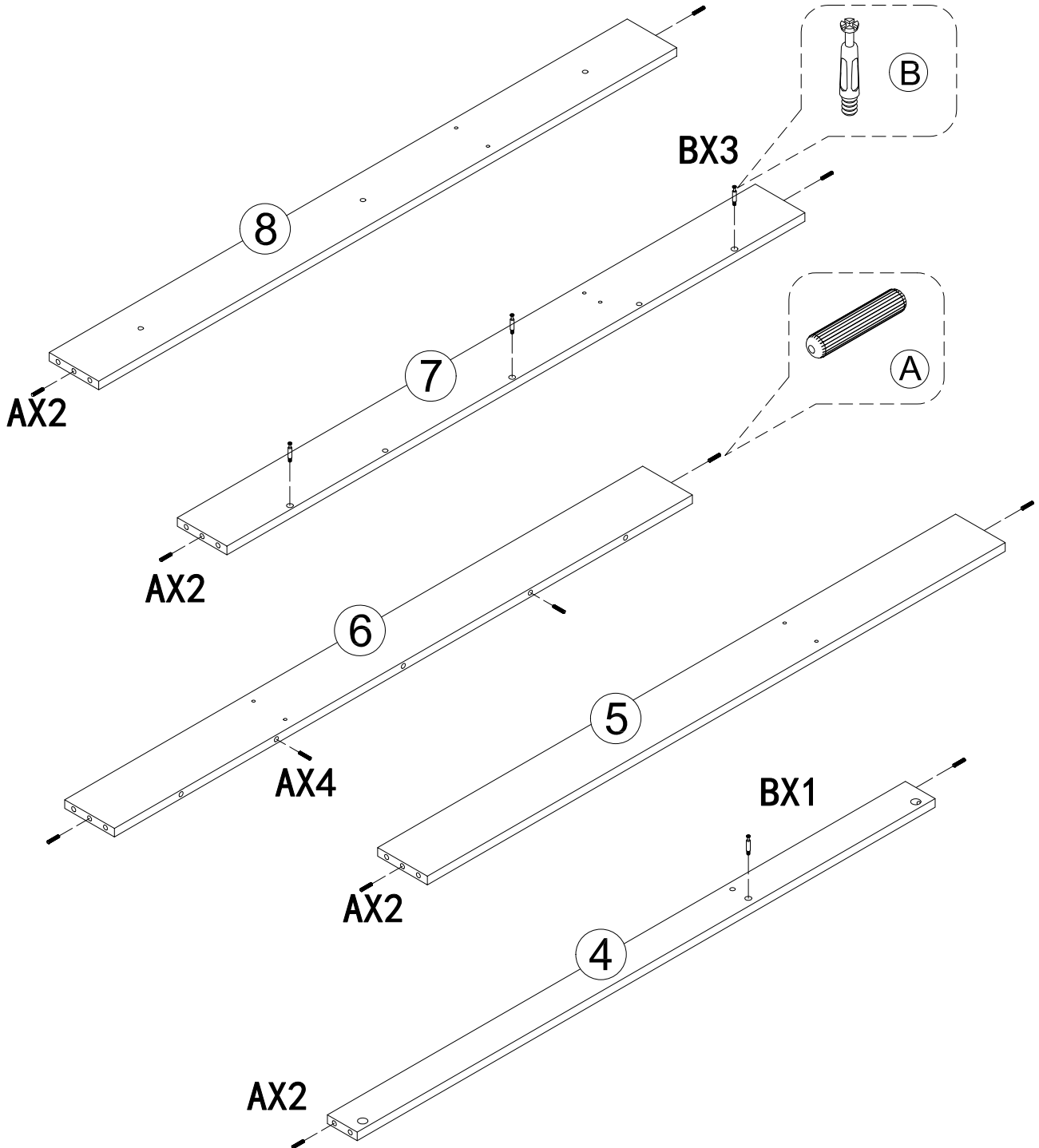
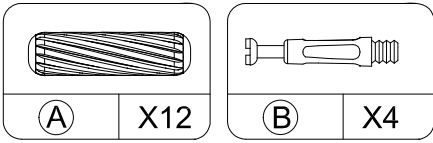
X 8



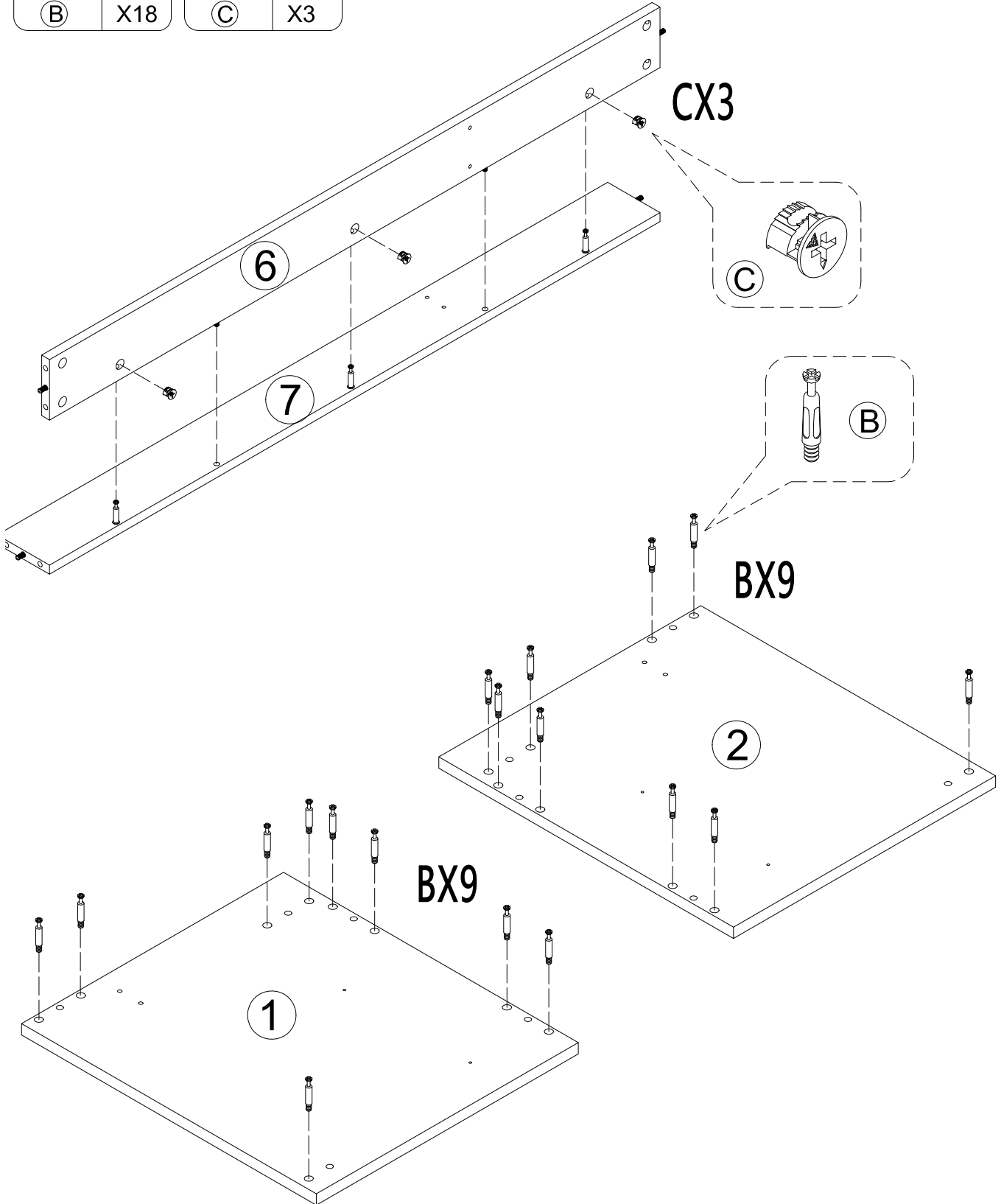
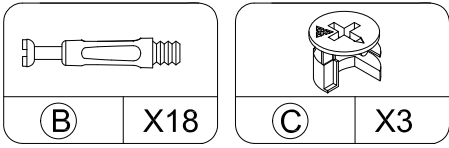
L

X1

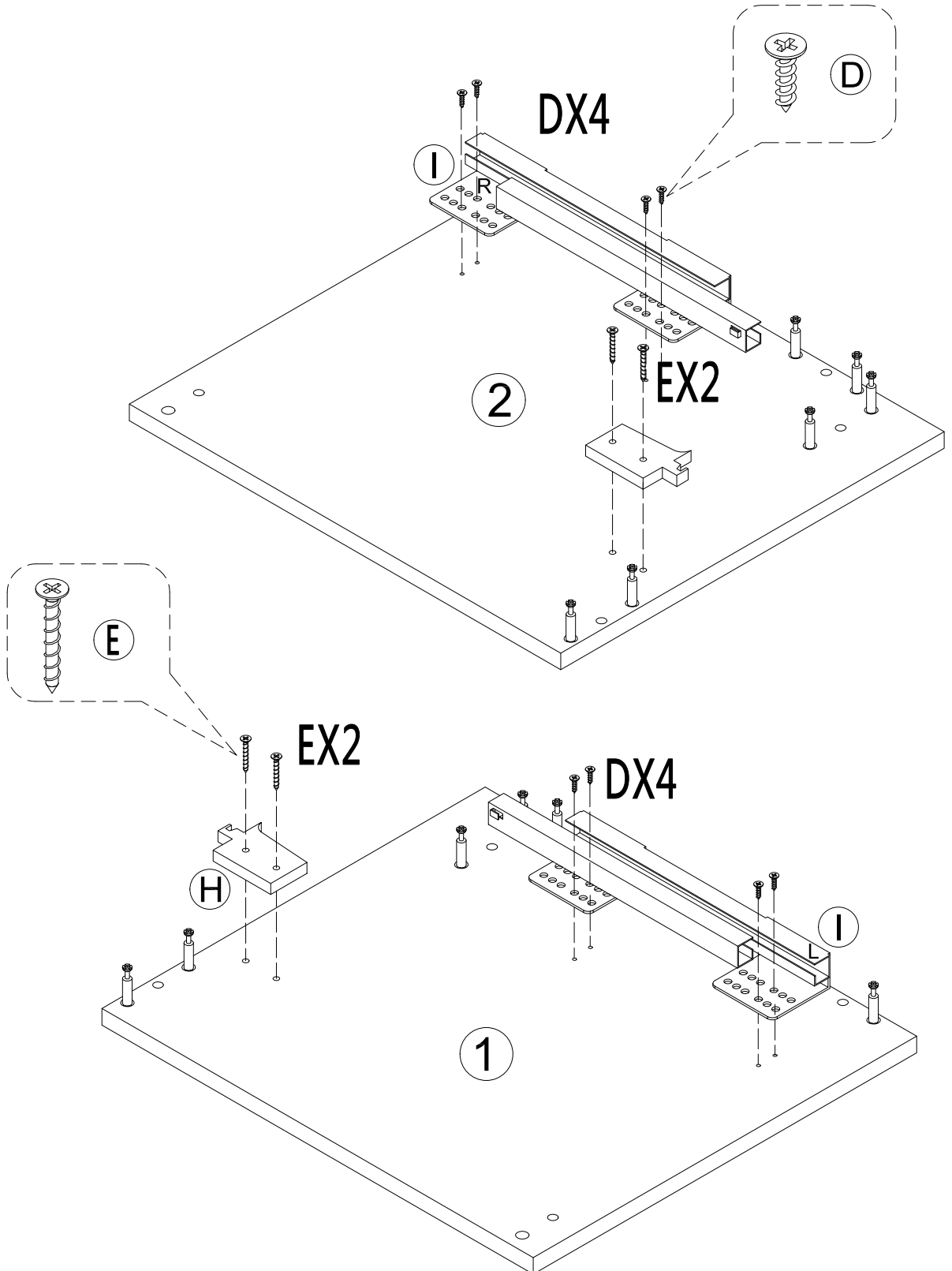
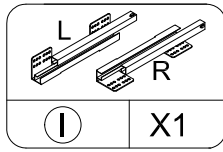
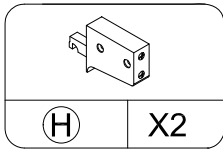
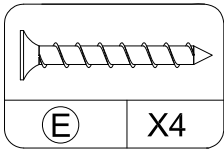
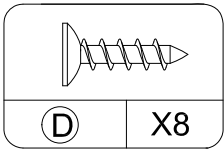
STEP 1



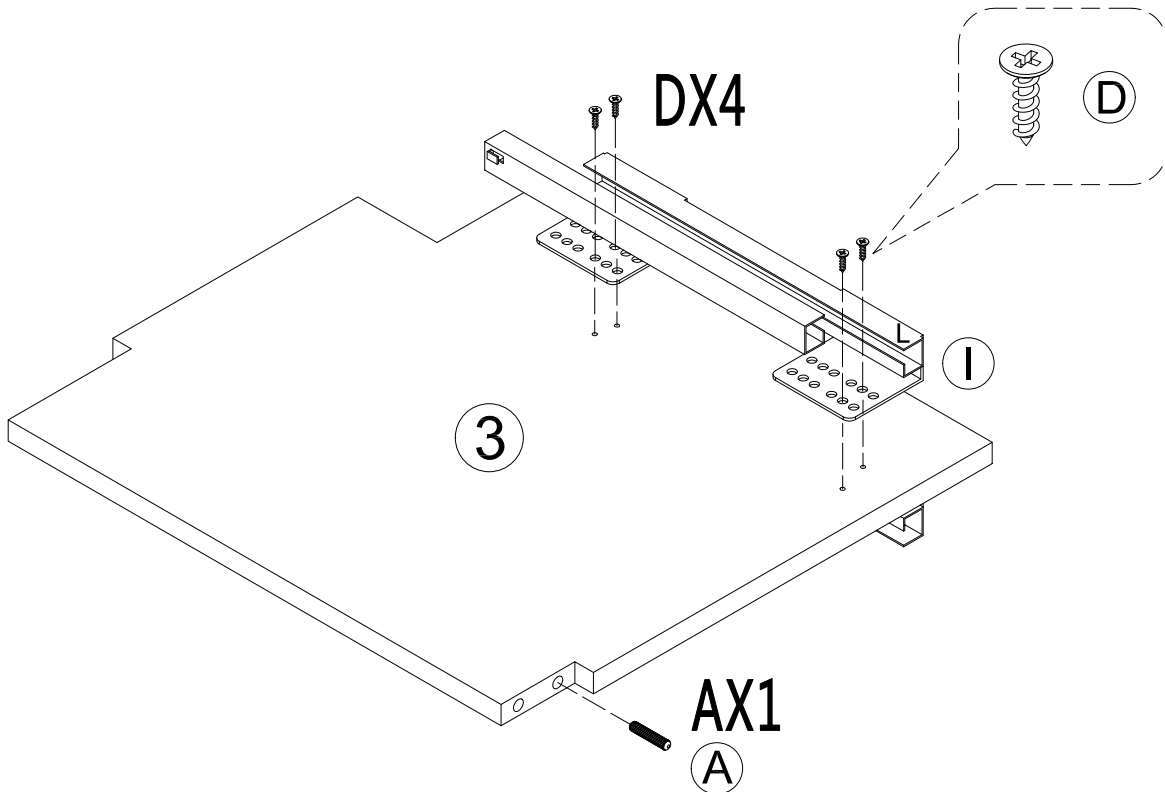
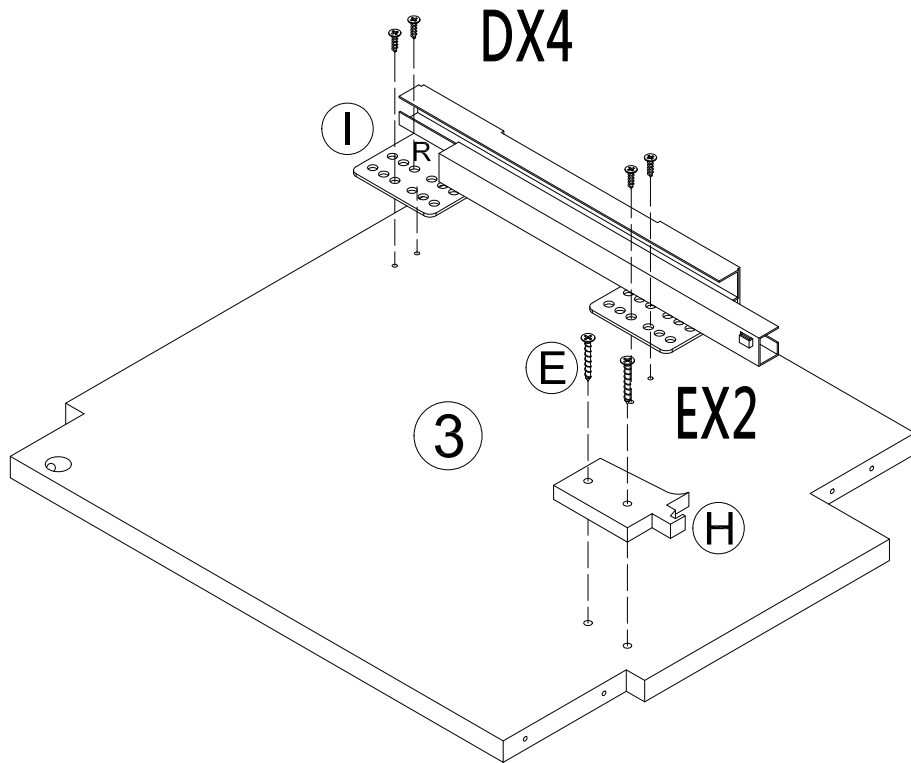
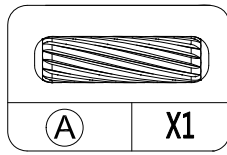
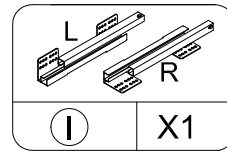
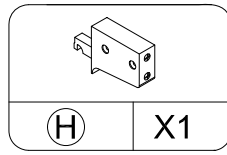
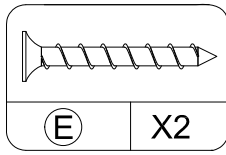
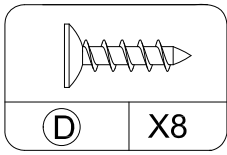
STEP 2



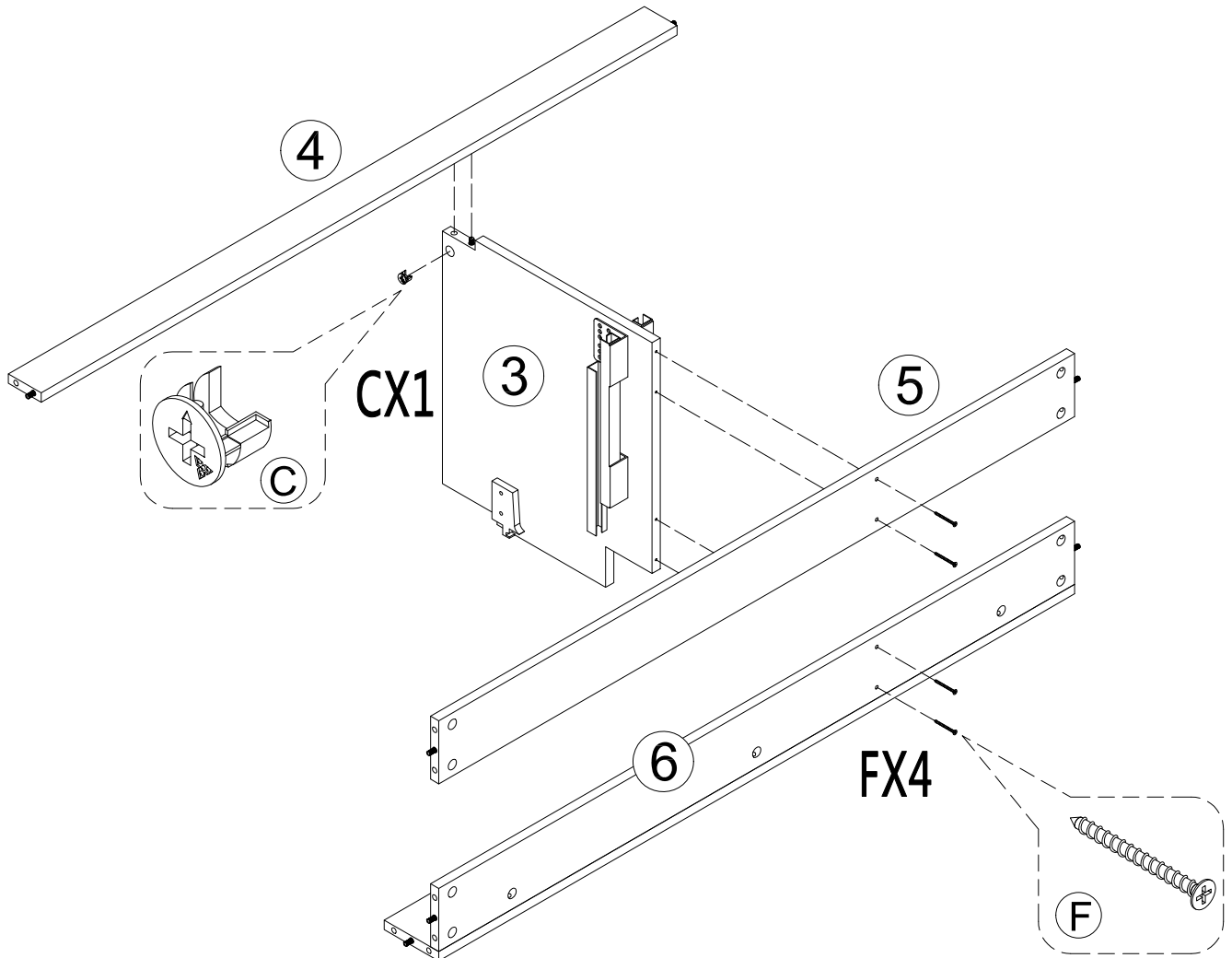
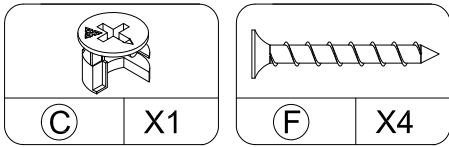
STEP 3



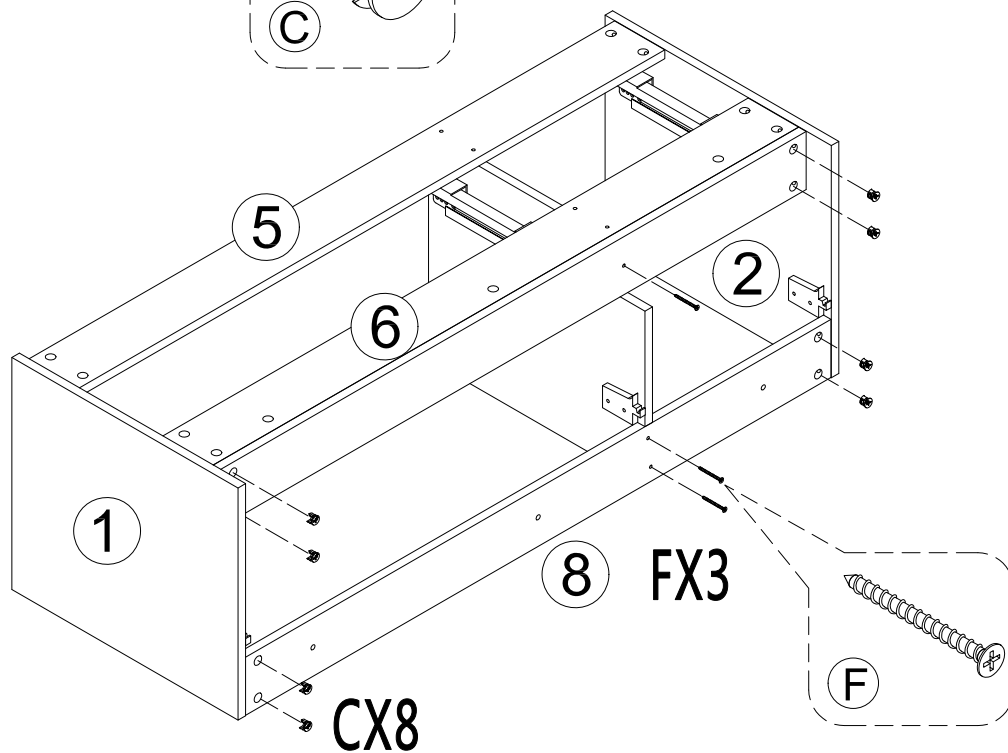
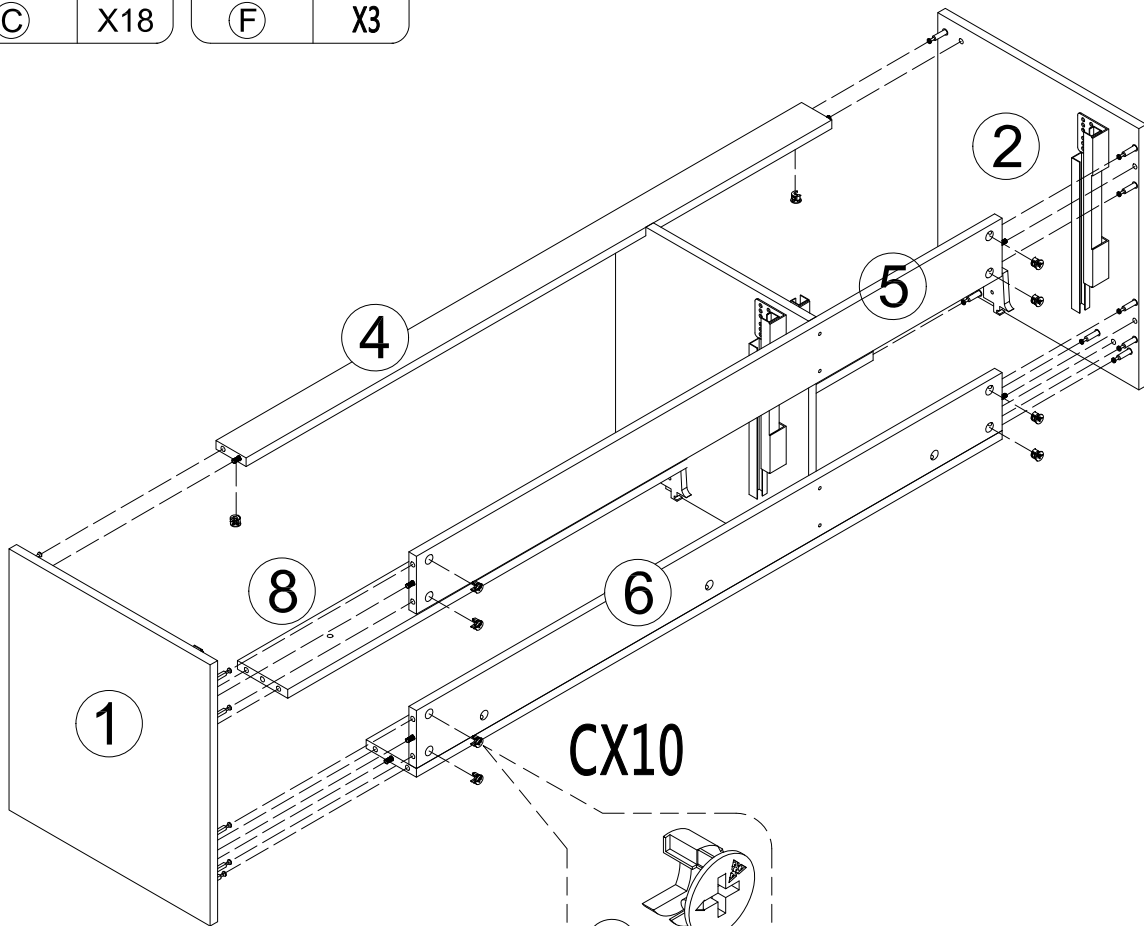
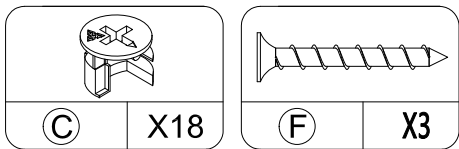
STEP 4



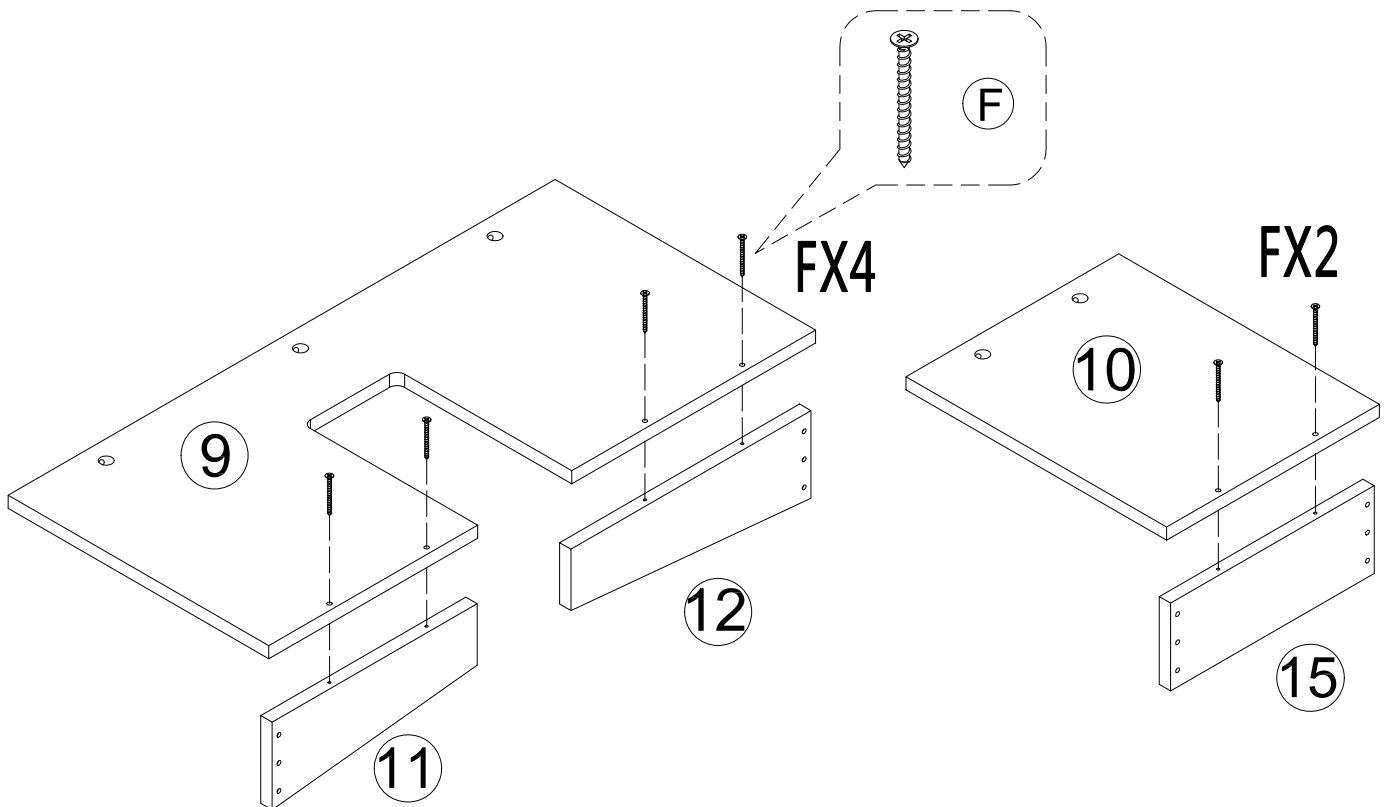
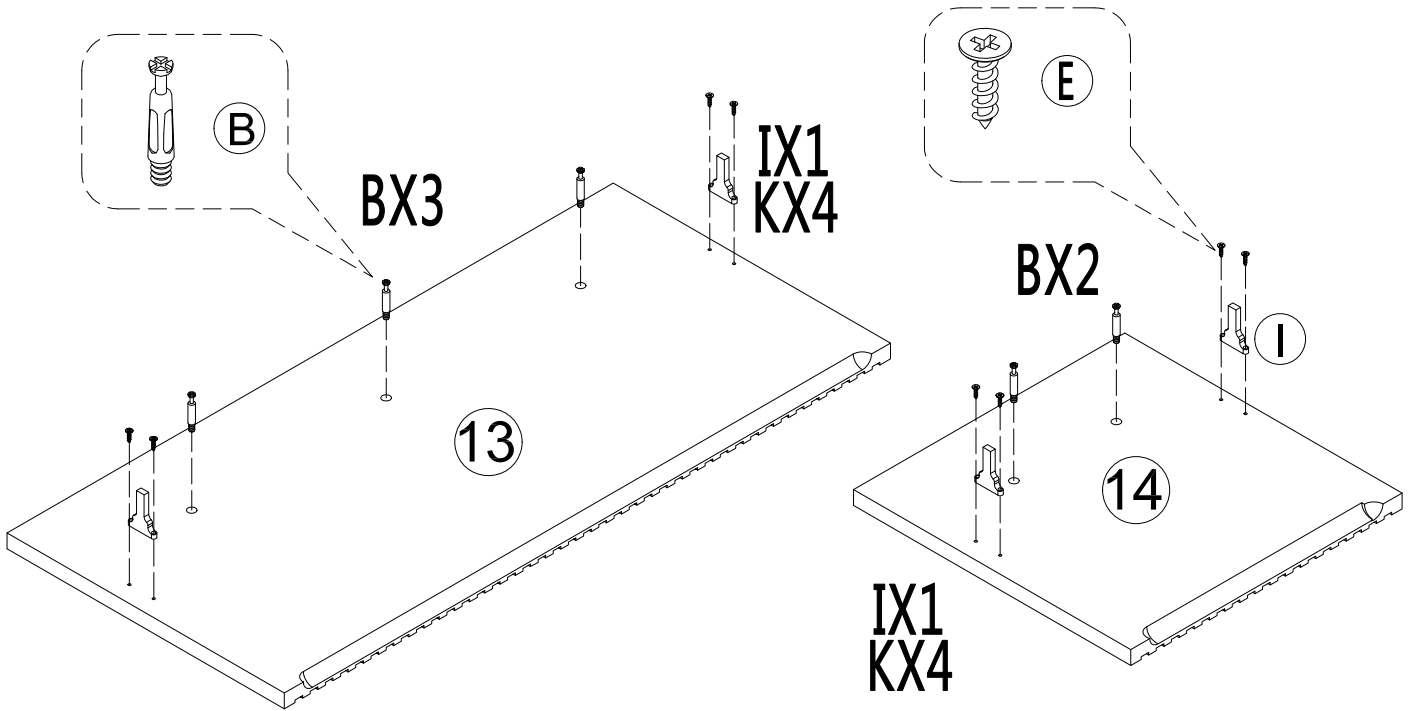
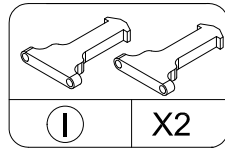
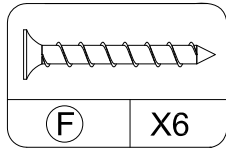
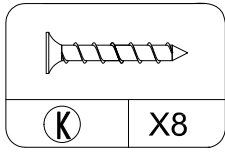
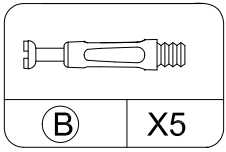
STEP 5



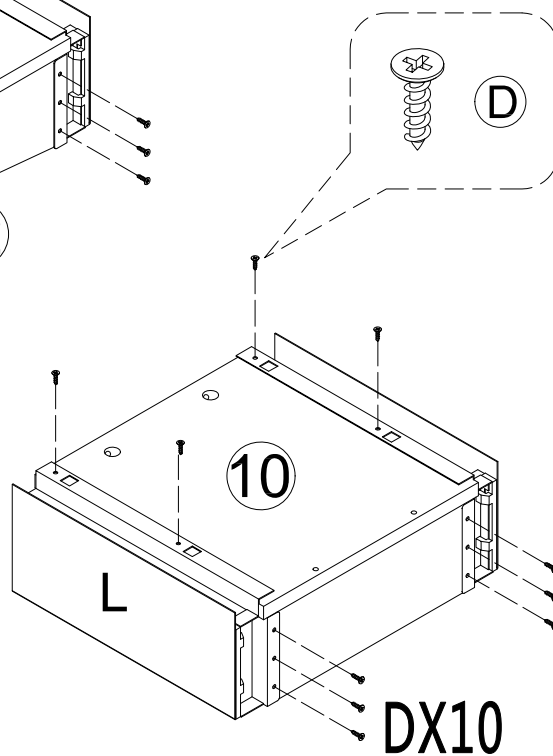
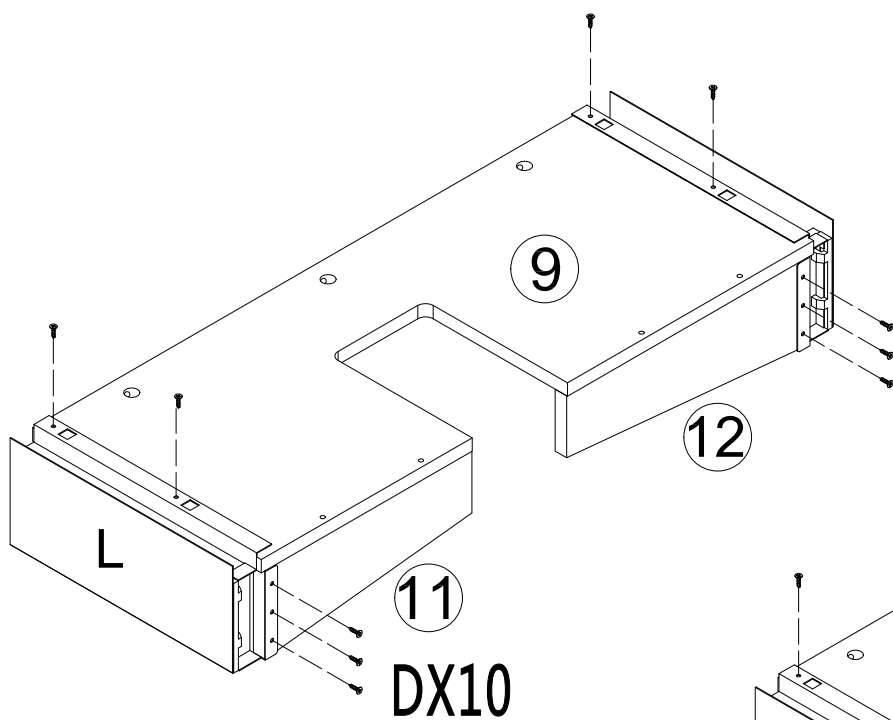
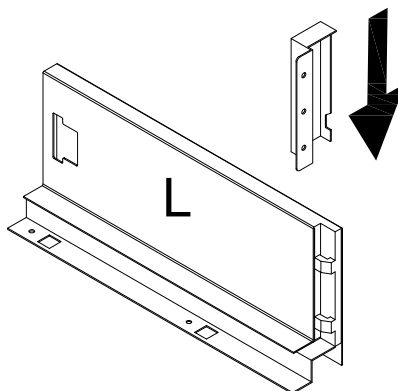
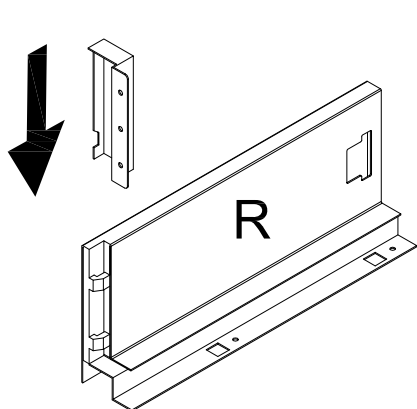
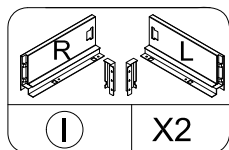
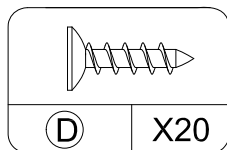
STEP 6



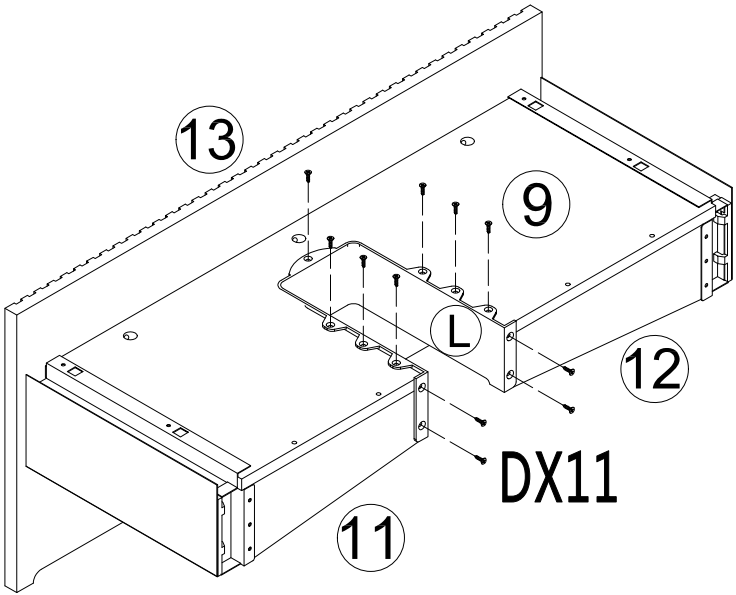
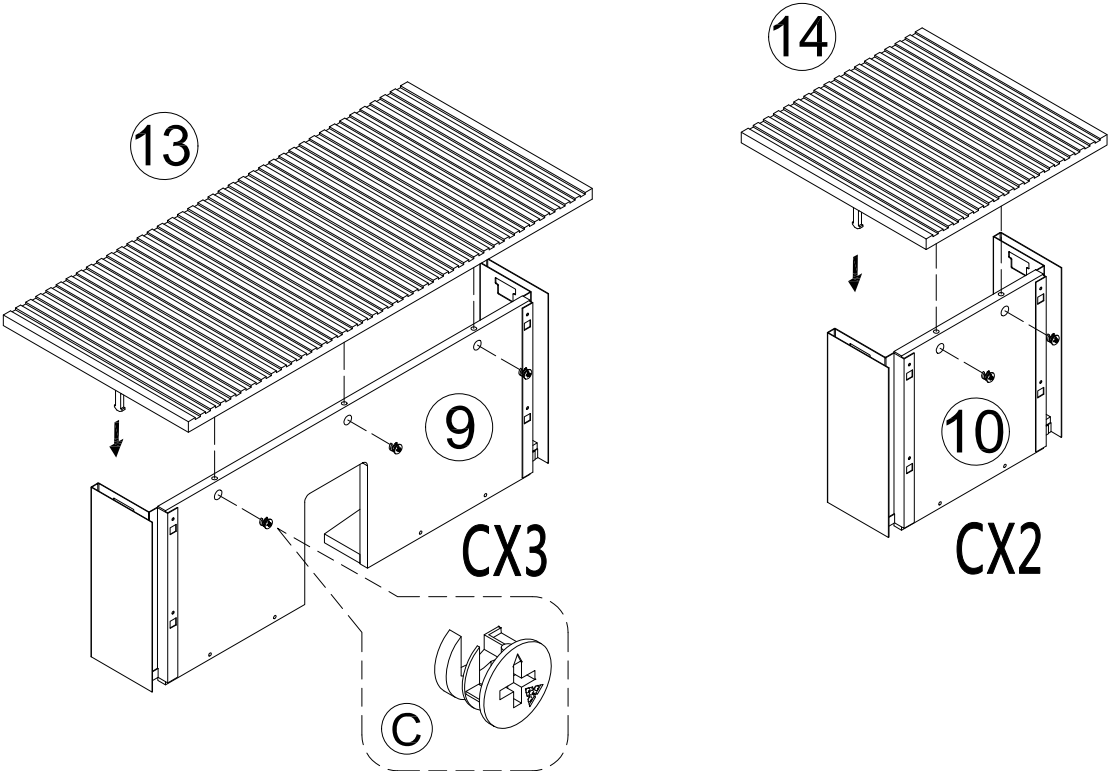
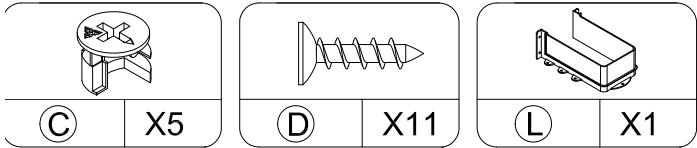
STEP 7



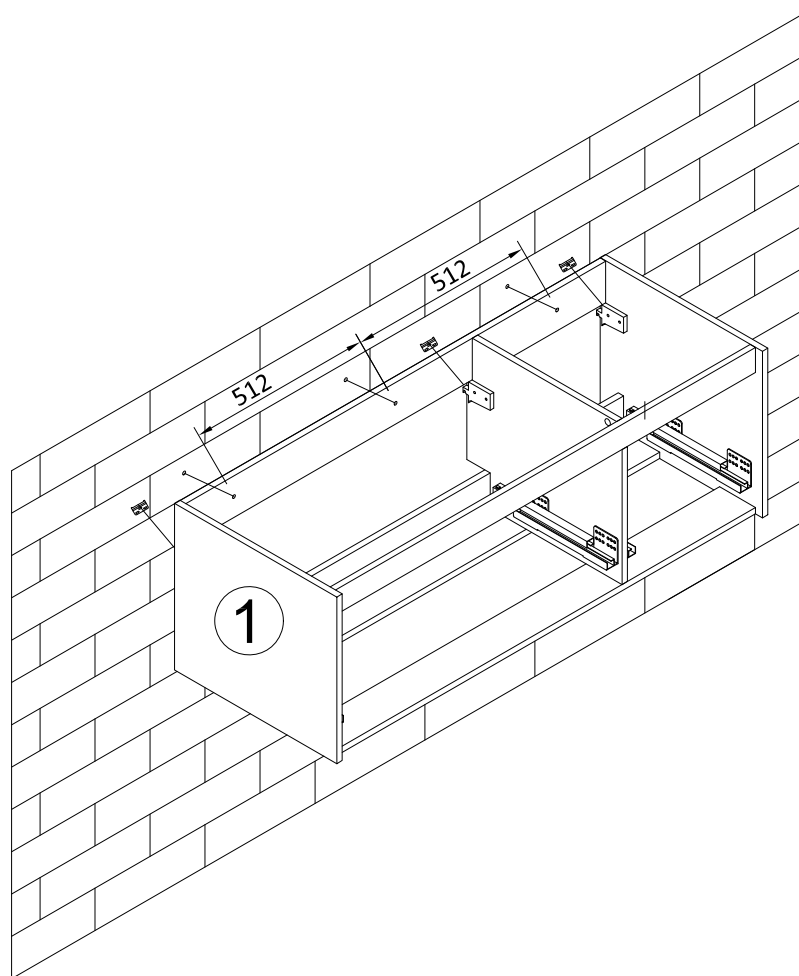
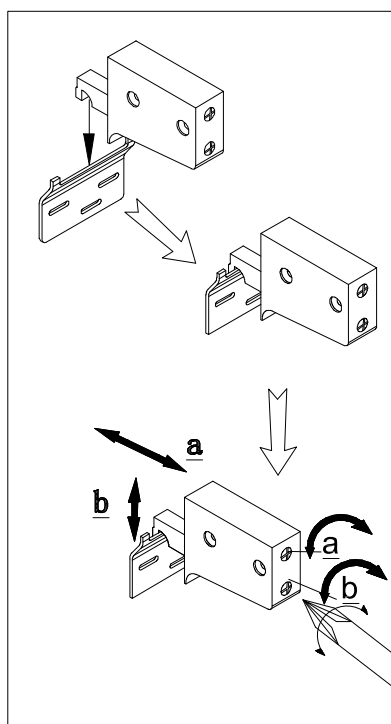
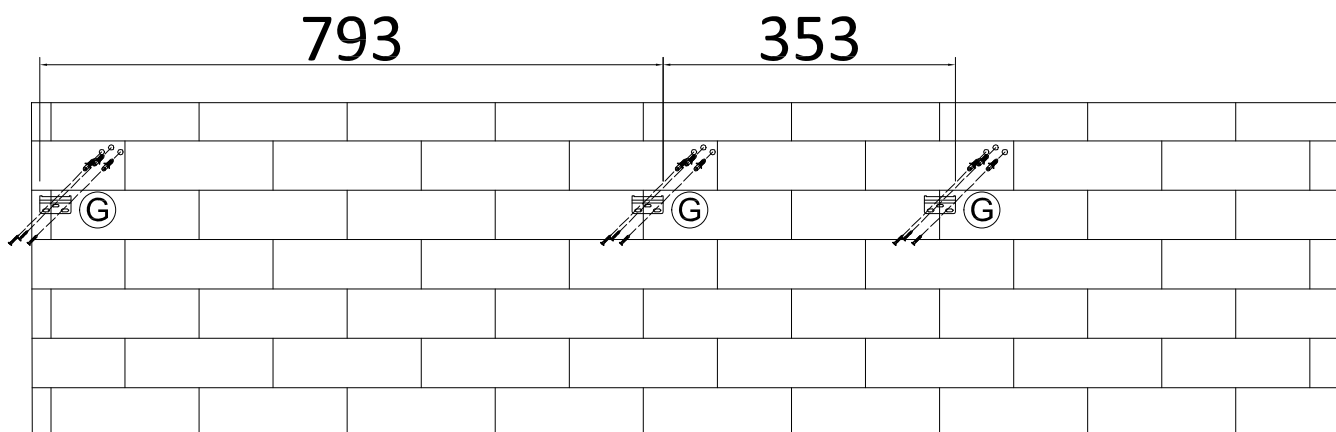
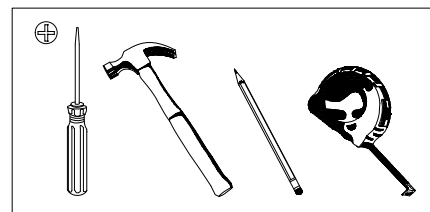
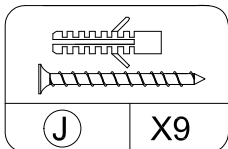
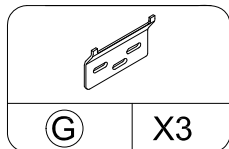
STEP 8



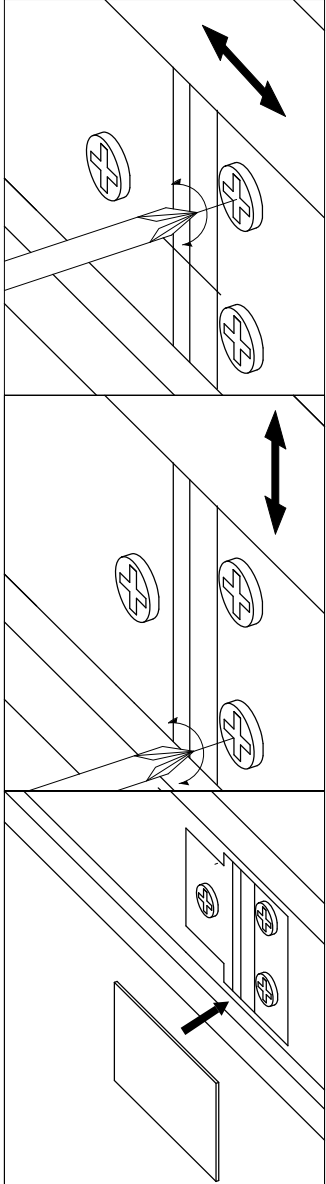
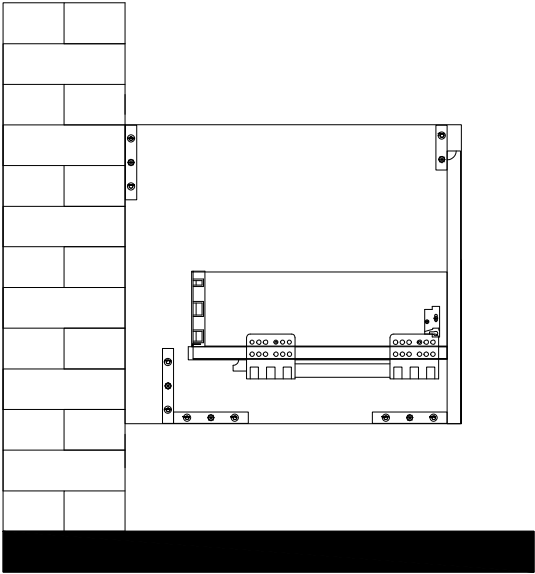
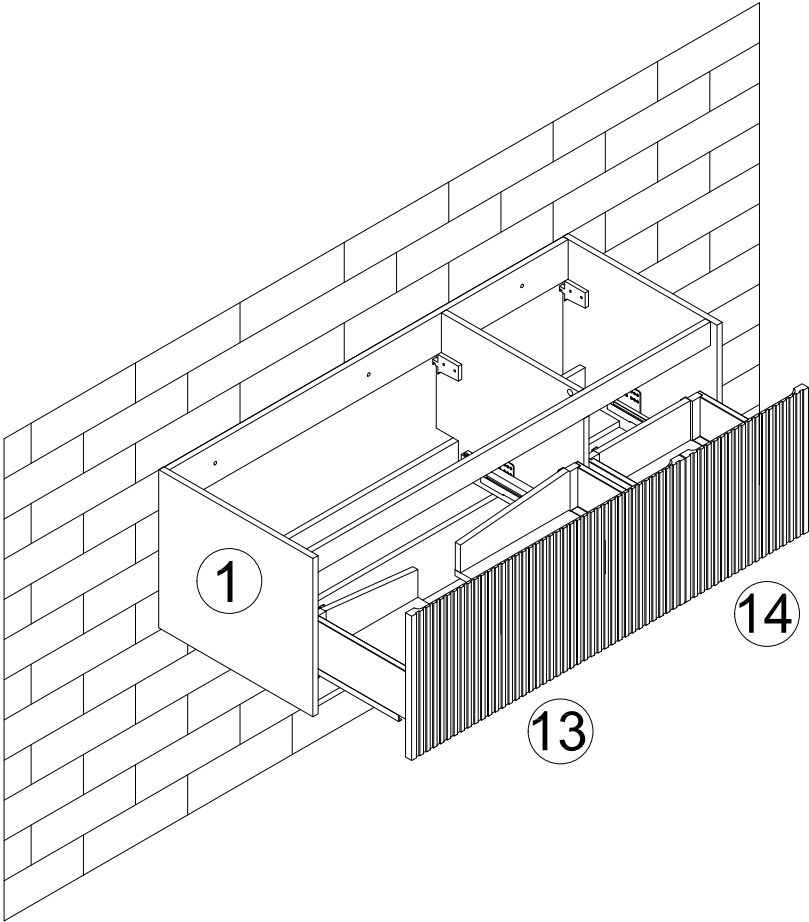
STEP 9



STEP 10



STEP 11



STEP 12

