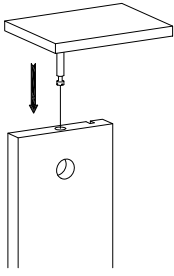
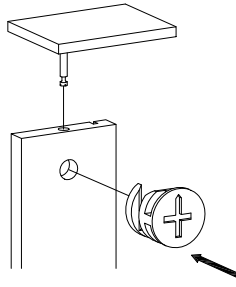


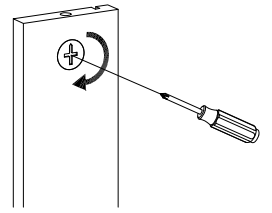
1



2



3



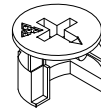
A

X14



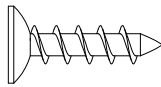
B

X46



C

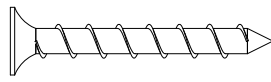
X46



M4X14mm

D

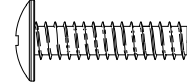
X35



M4X28mm

E

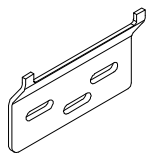
X4



M4X20mm

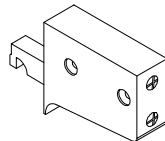
F

X4



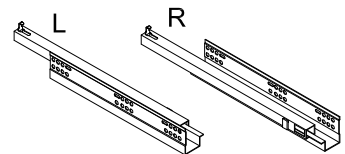
G

X2



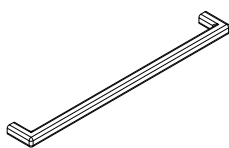
H

X2



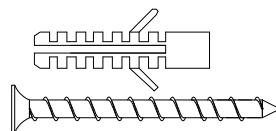
I

X2



J

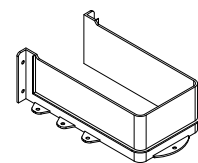
X2



M5X40mm

K

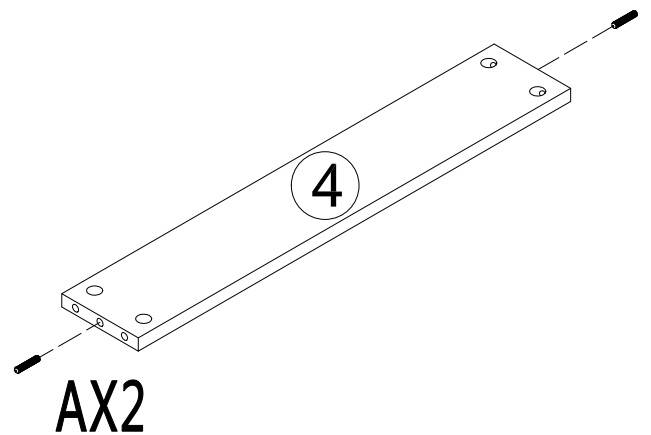
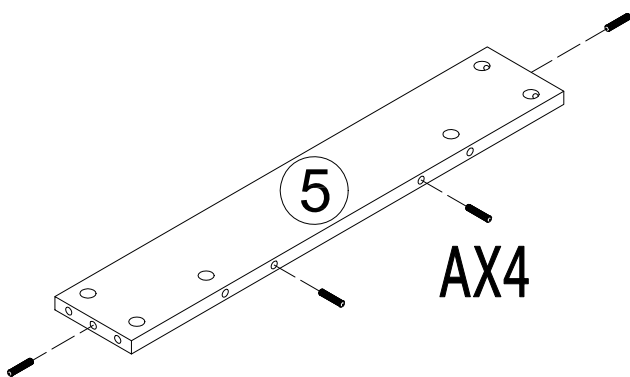
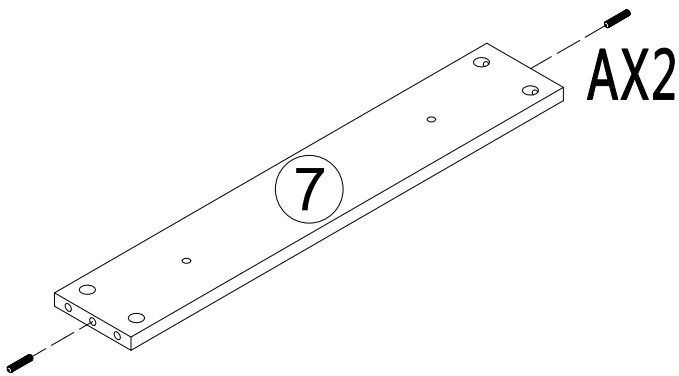
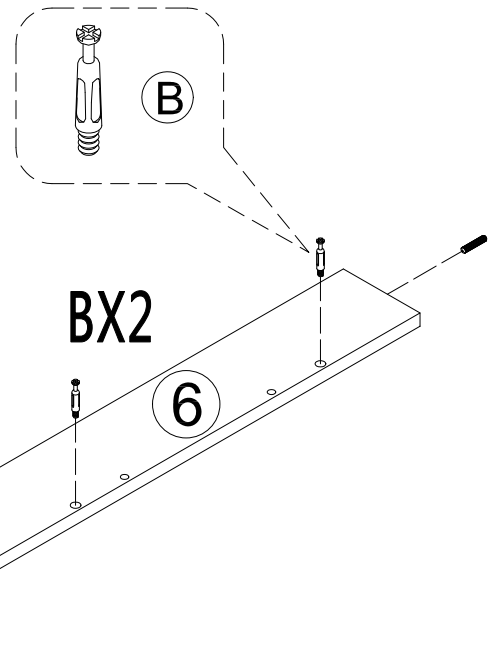
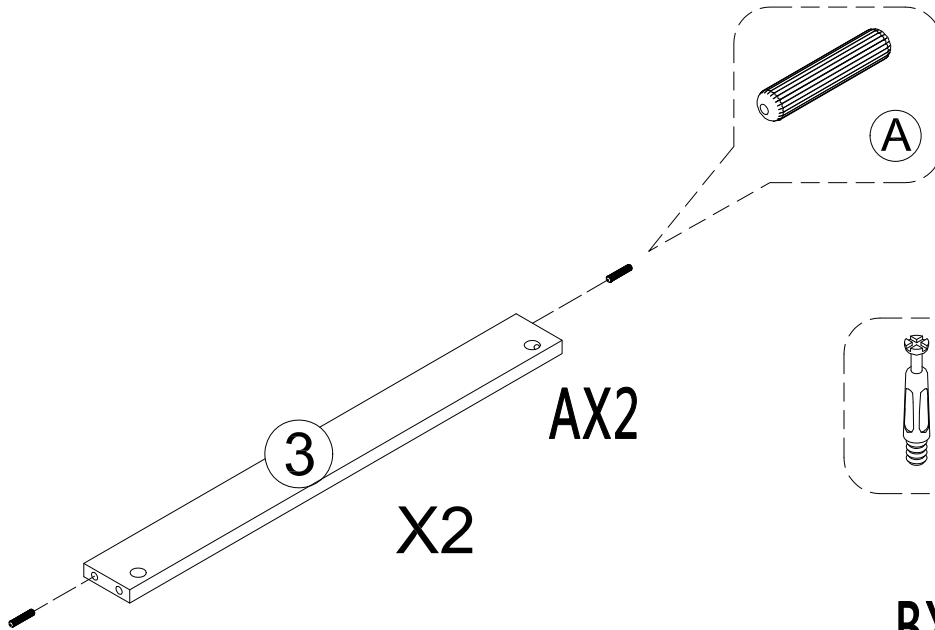
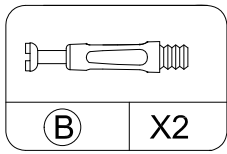
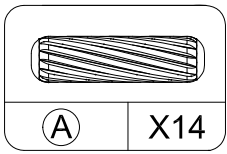
X6



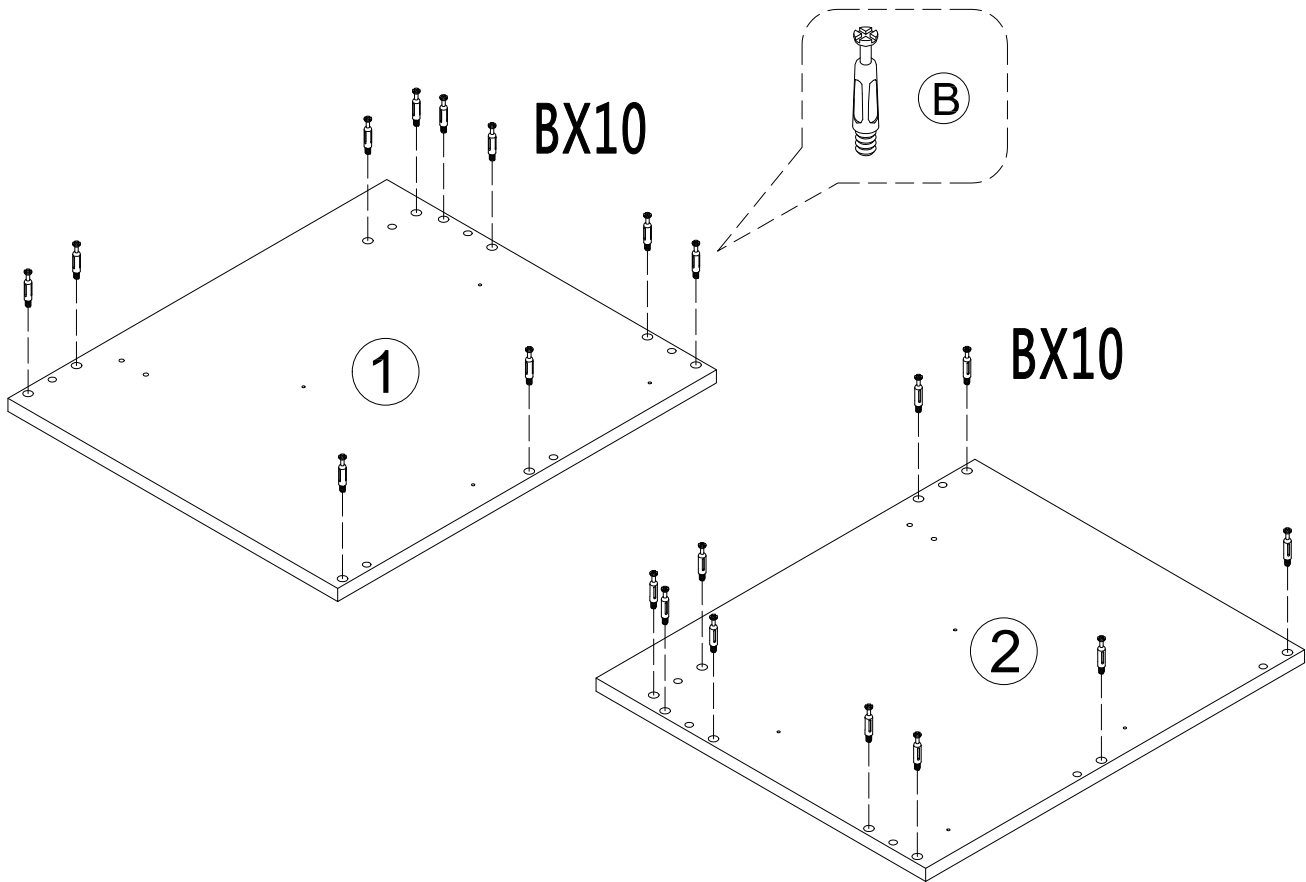
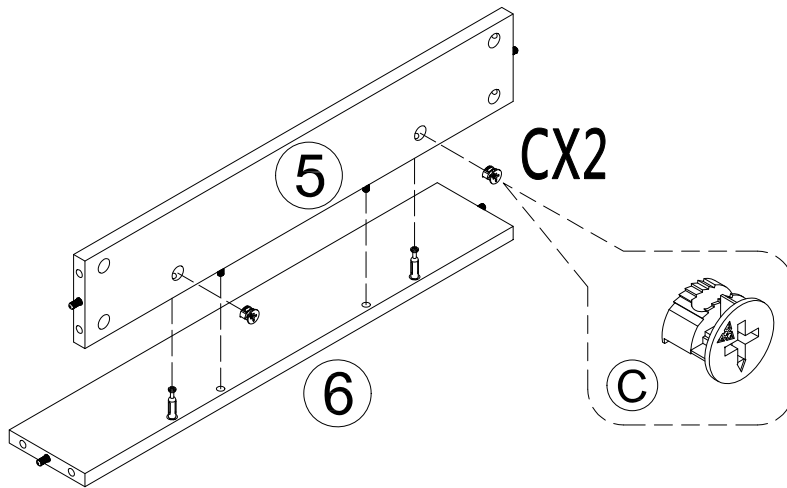
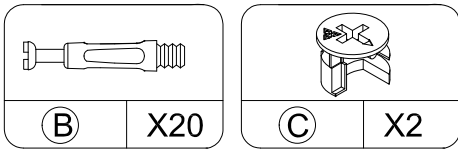
L

X1

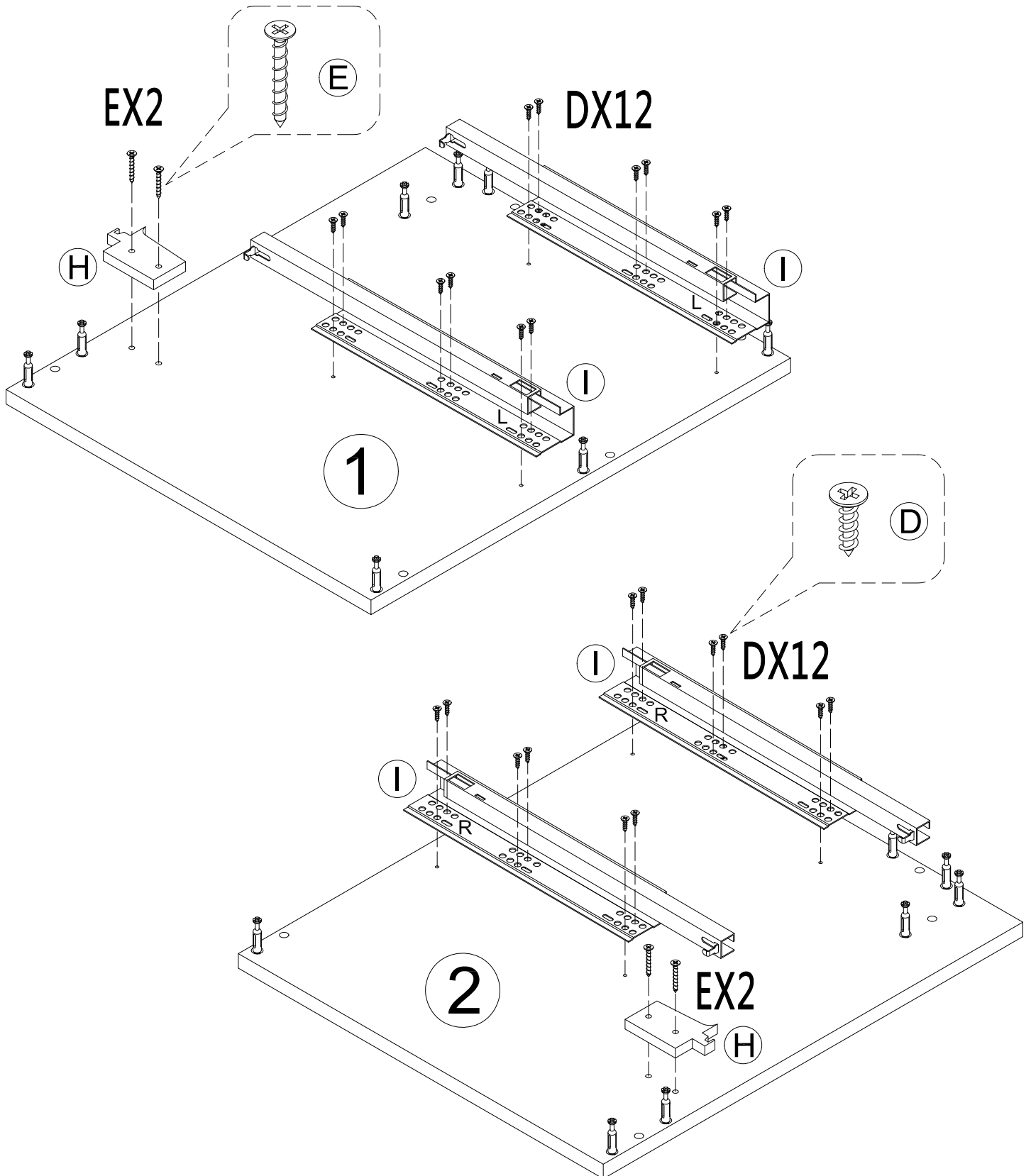
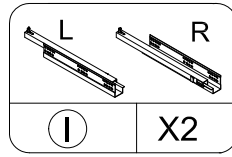
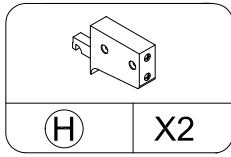
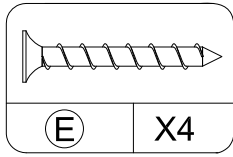
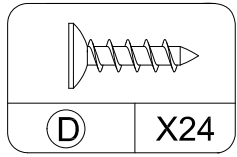
STEP 1



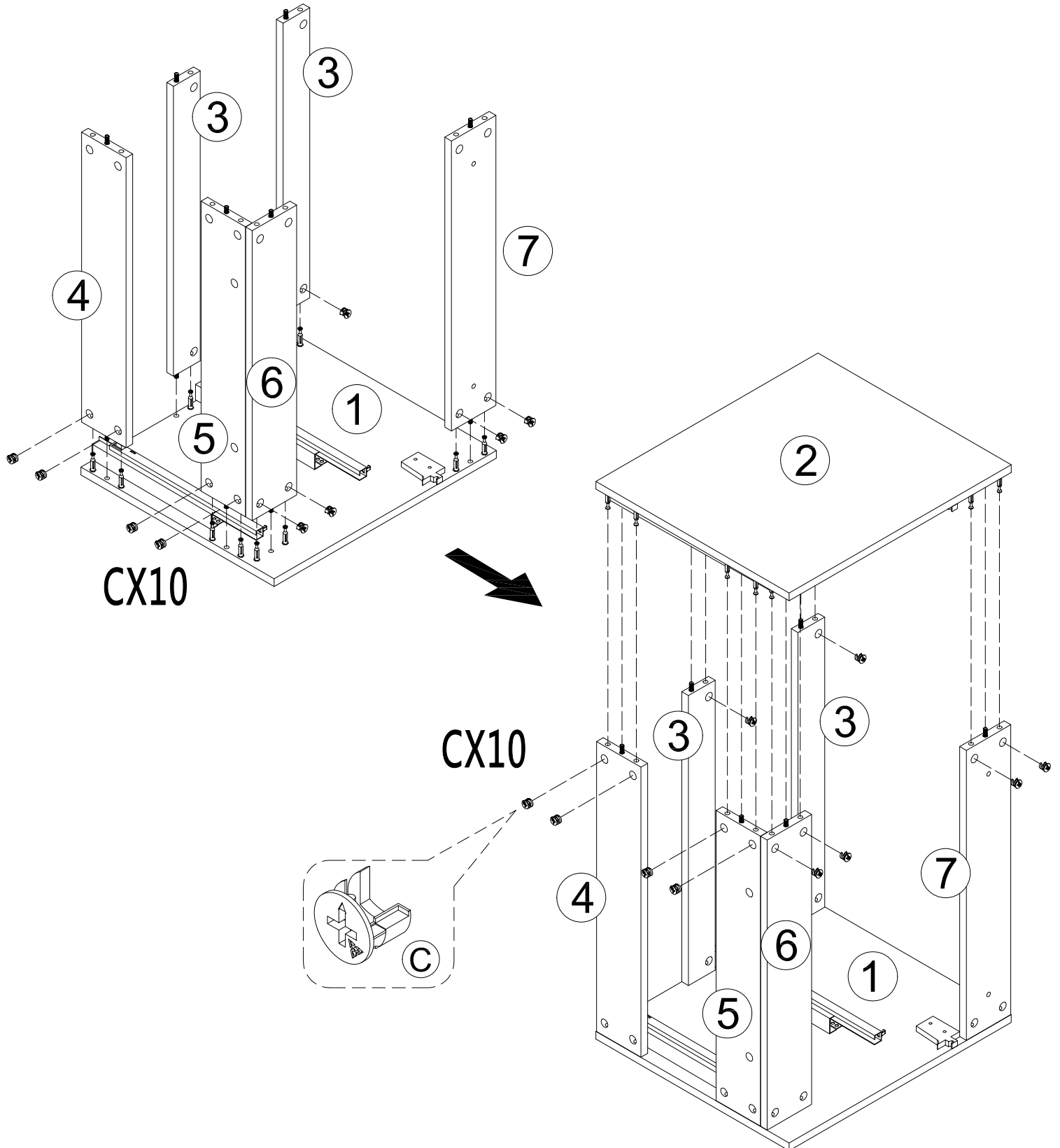
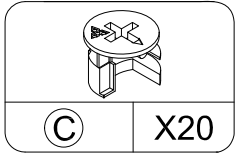
STEP 2



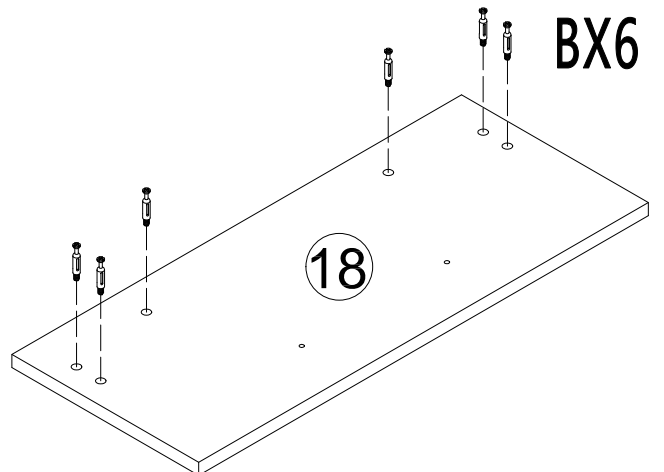
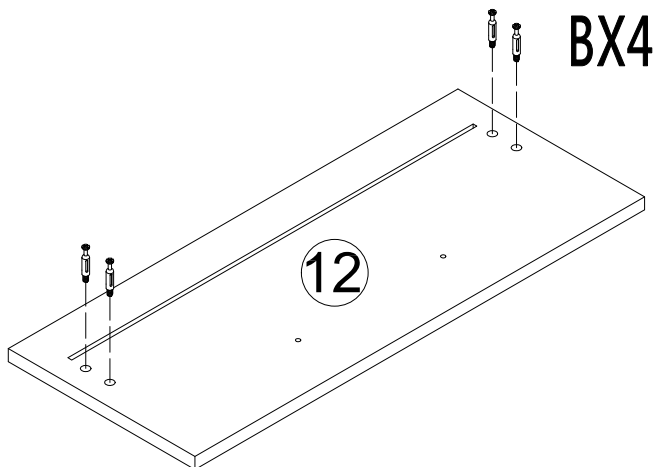
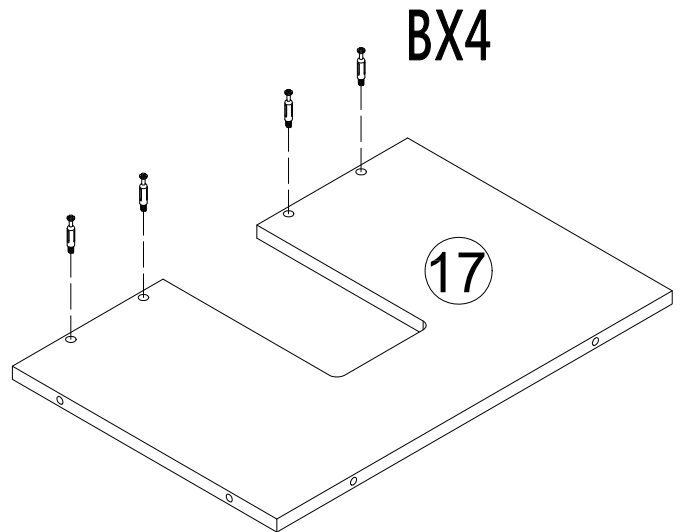
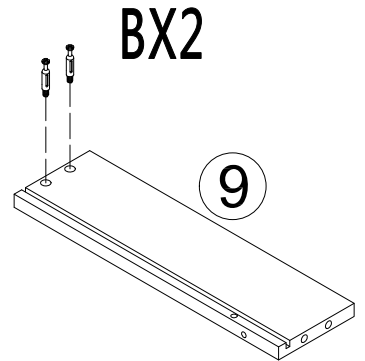
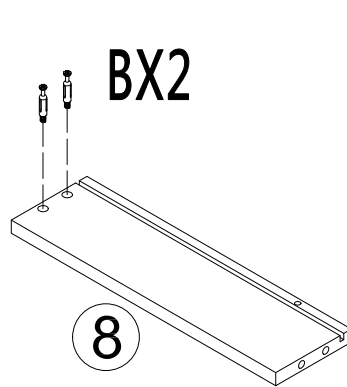
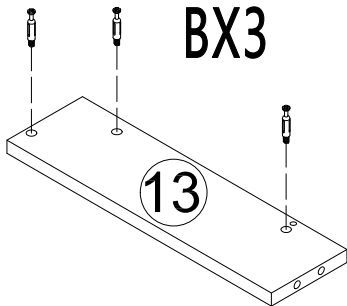
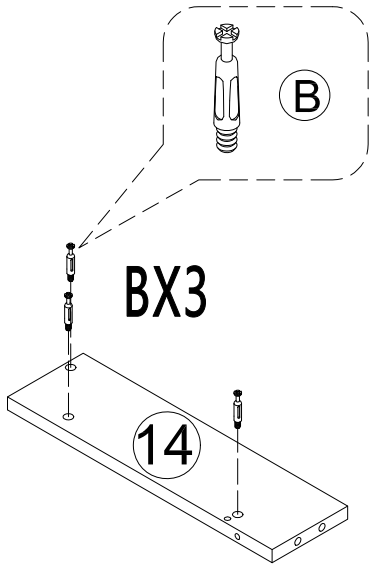
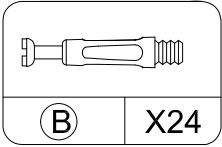
STEP 3



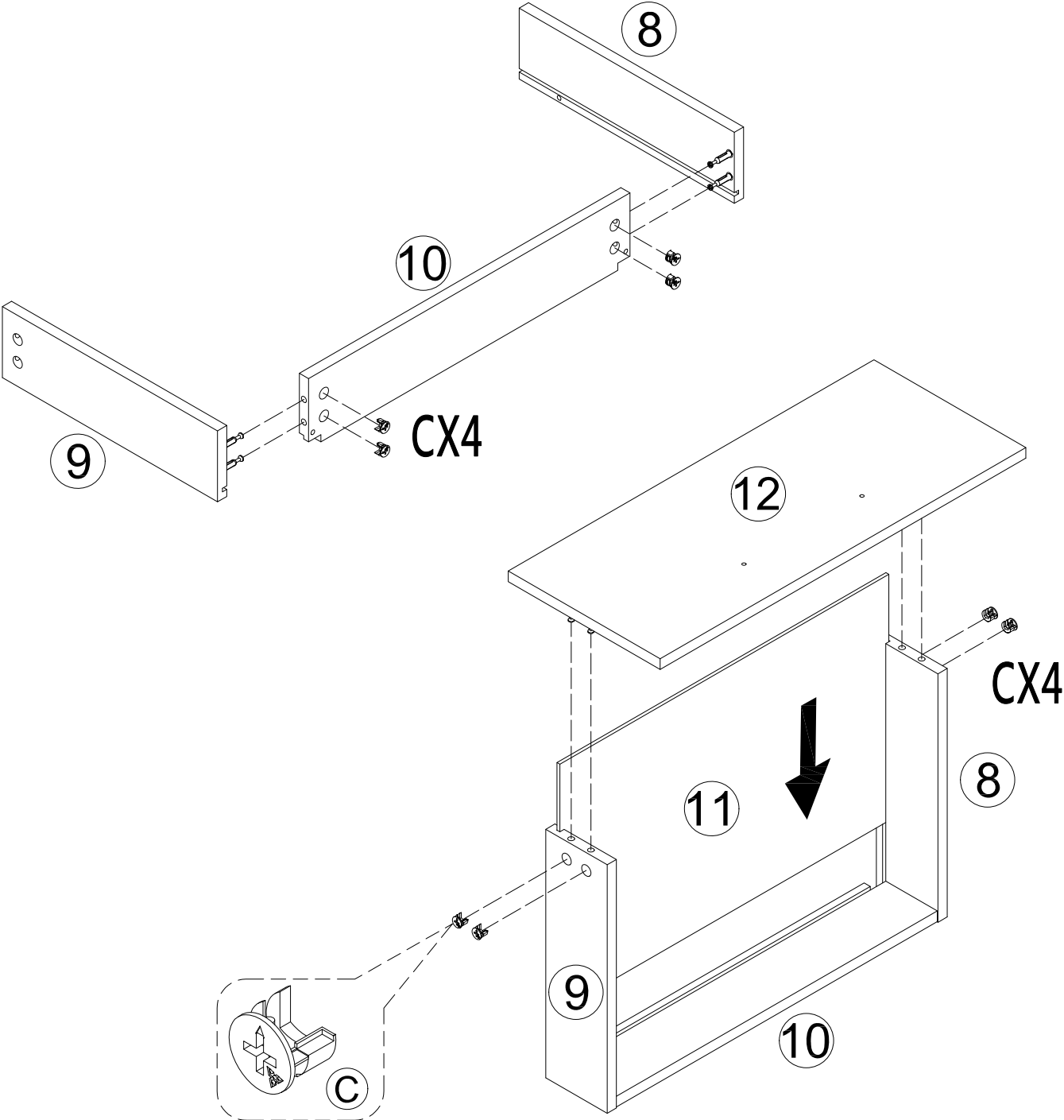
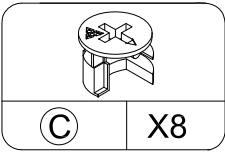
STEP 4



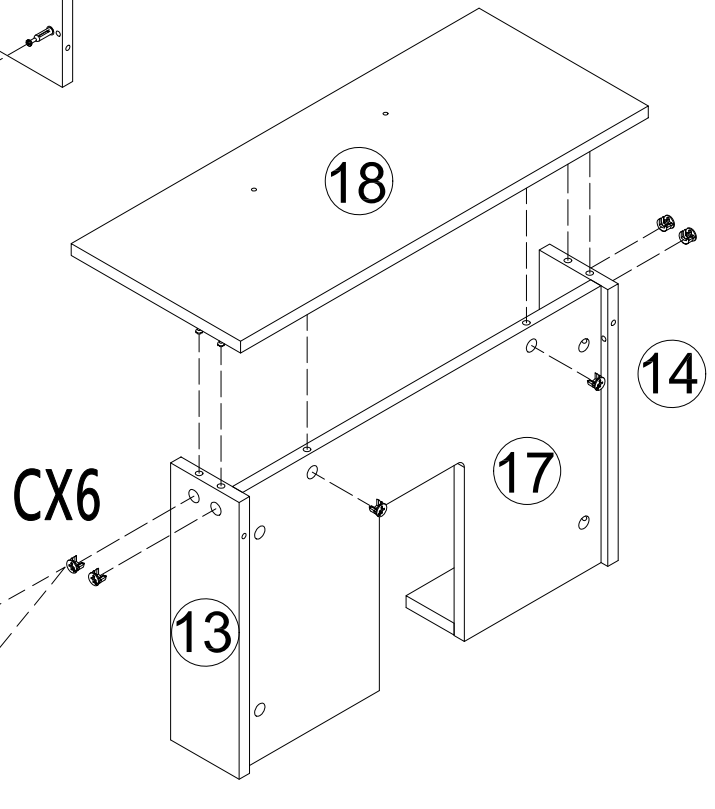
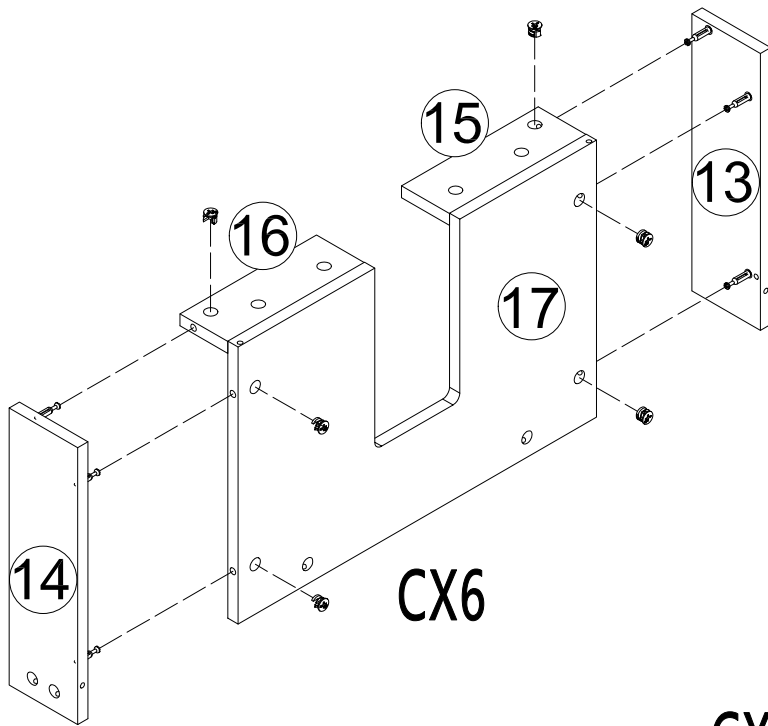
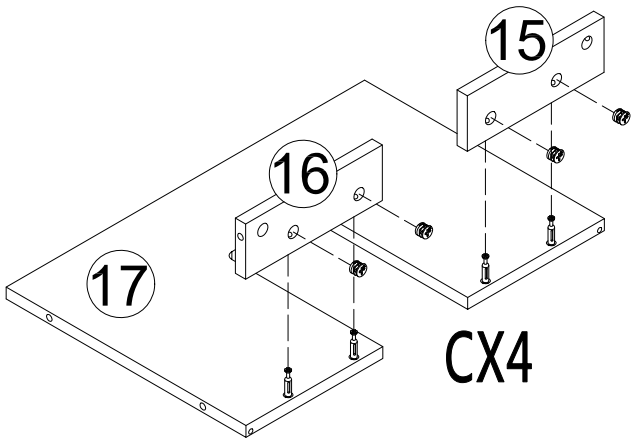
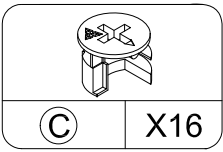
STEP 5



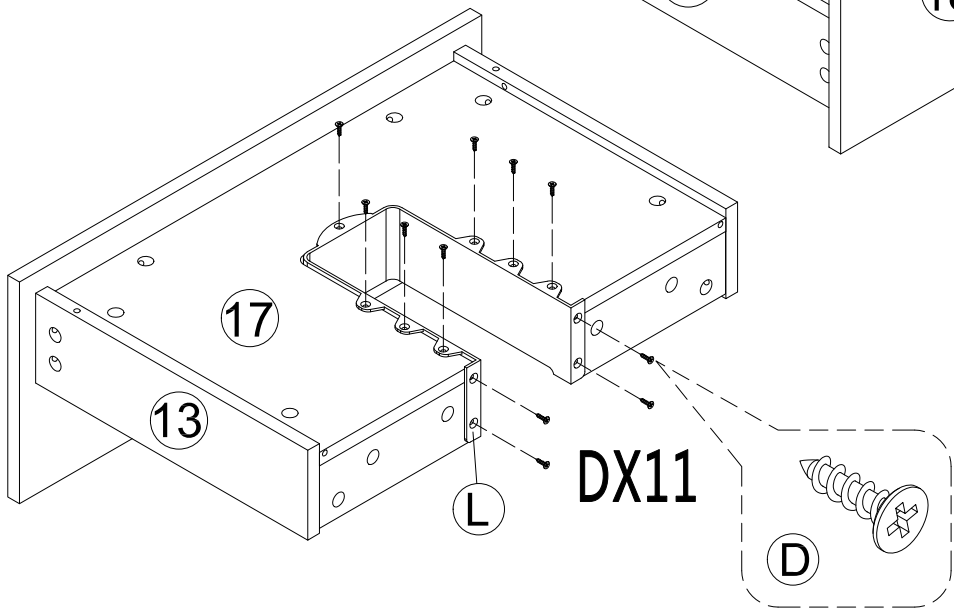
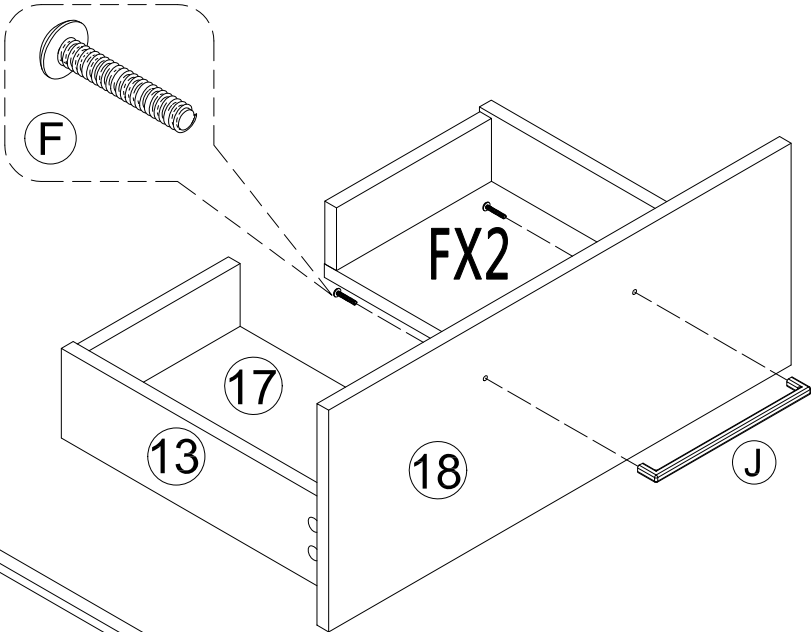
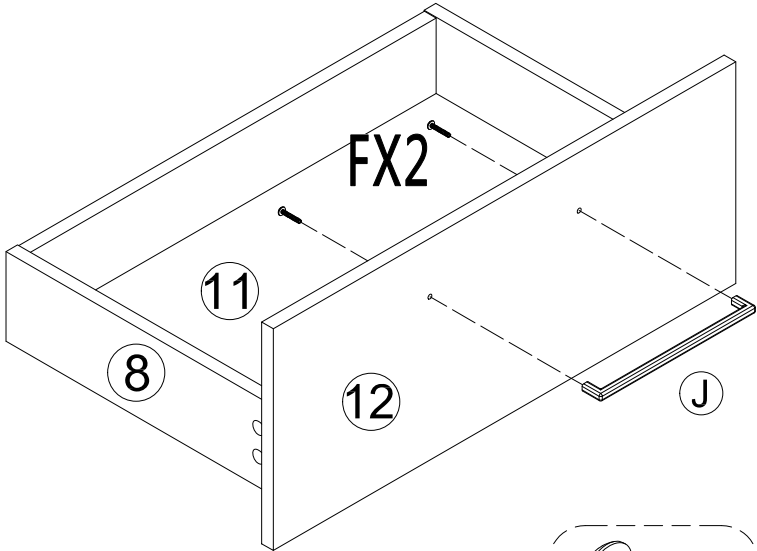
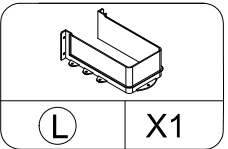
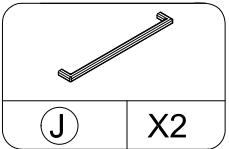
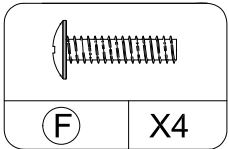
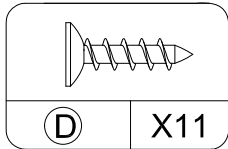
STEP 6



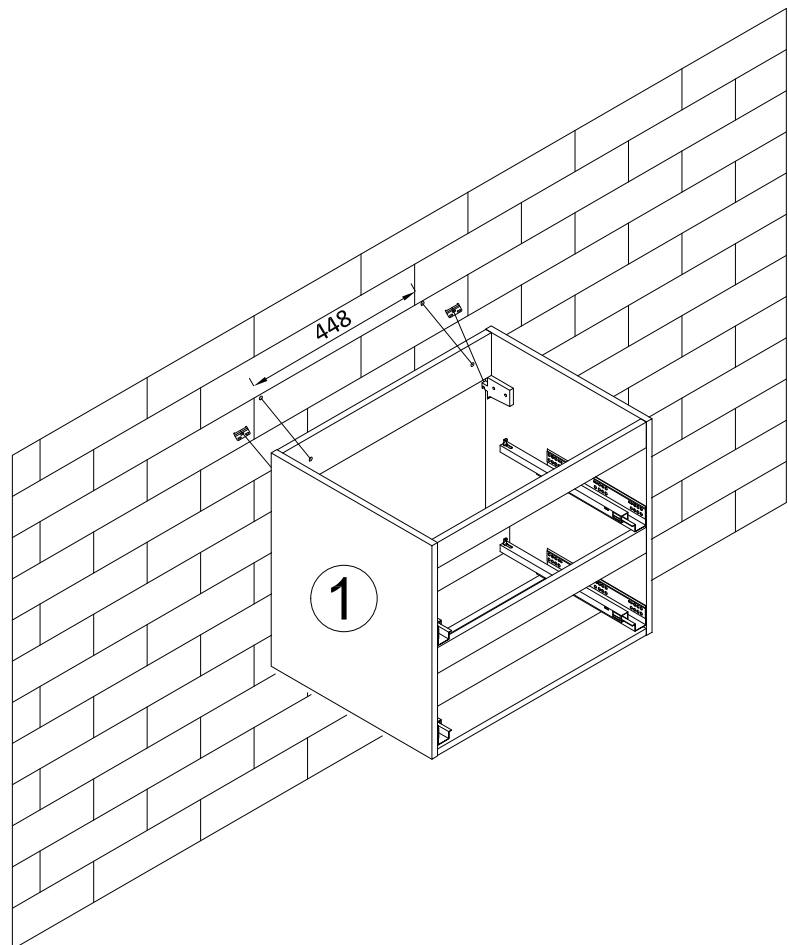
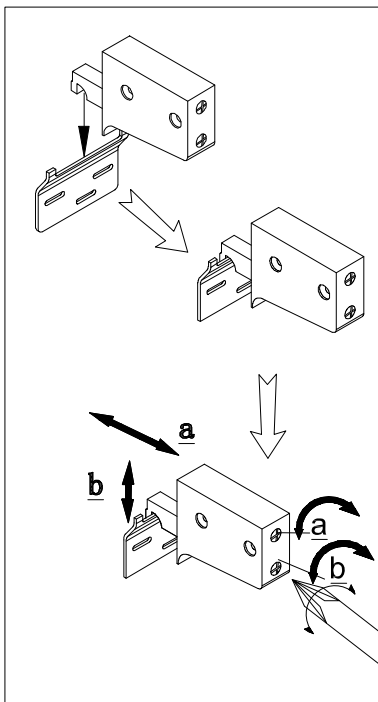
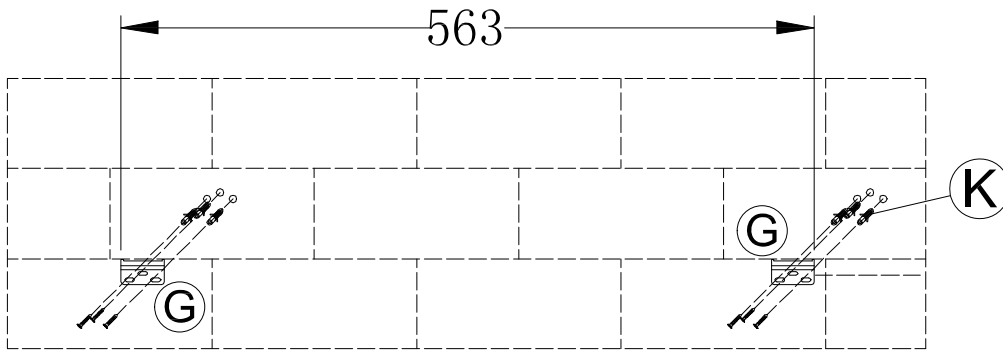
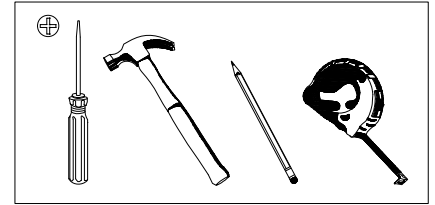
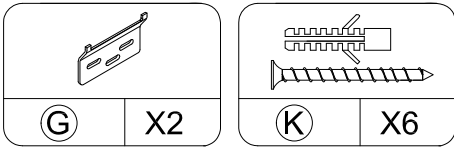
STEP 7



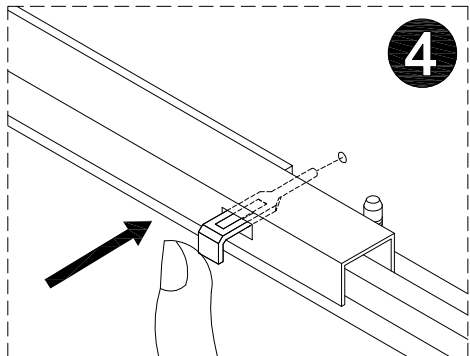
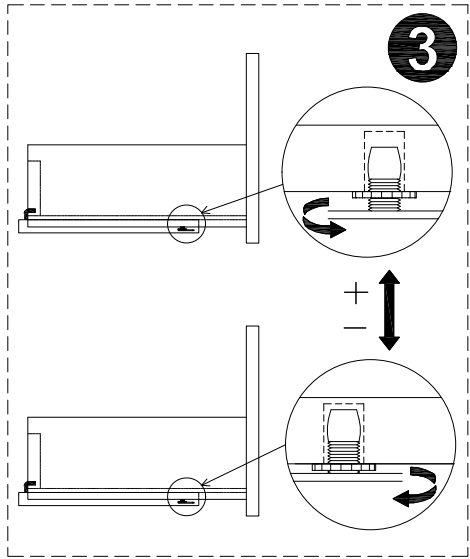
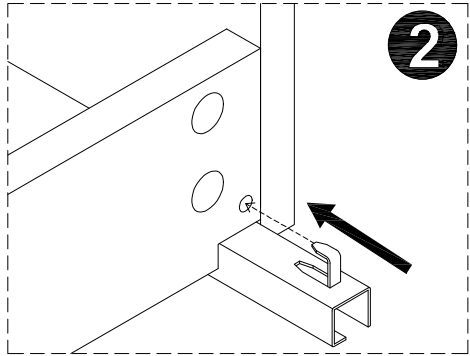
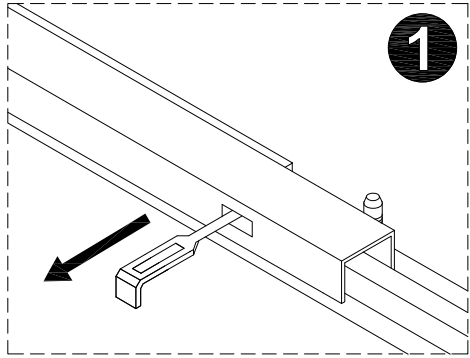
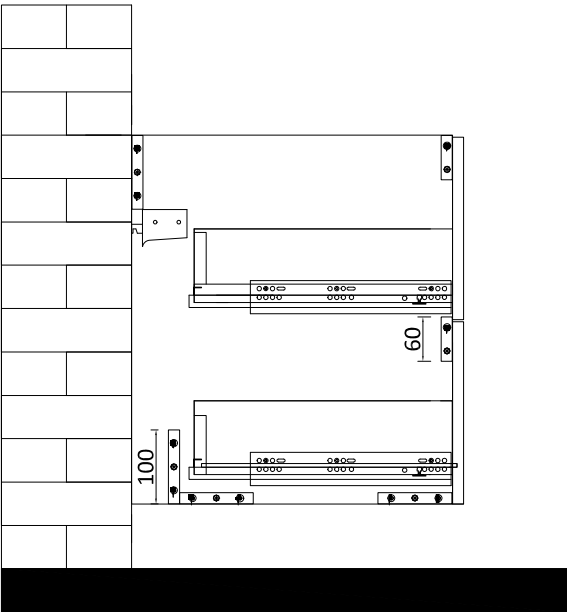
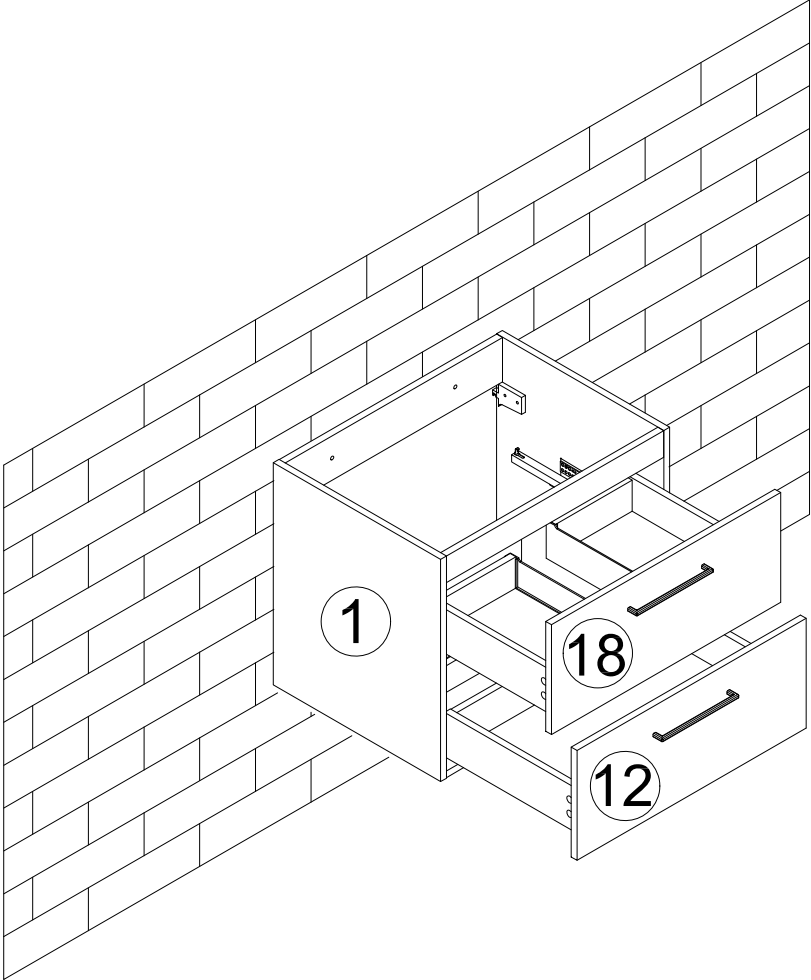
STEP 8



STEP 9



STEP 10



STEP 11

