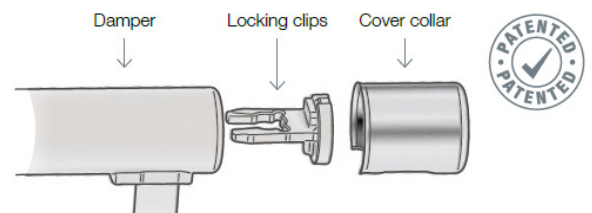


LET'S MAKE  
ROOM FOR  
COMFORT

PRESSALIT®

## Pressalit **COMFORT** Pack

Save time and get the job done quickly with Pressalit's COMFORT Pack where you get a toilet with the seat Comfort D2. The toilet is wall-mounted and rimless. Tested and certified according to EN997 and EN33. Delivered with Flow Reducer for mounting in facilities with high water pressure to avoid splashing.



Comfort D2 has a harmonic overall design that is pure in form. The composed wrap-over seat combines streamlined simplicity with a fully harmonious shape, which makes it blend with the porcelain. The seat is very comfortable, even when the lid is down.

Pressalit SteadyFix® is a part of the hinge and damper and offers extreme stability and soft close supreme. The hinge design is minimal, giving the seat a more harmonious appearance.

Product name: **Pressalit Comfort D2 Combi Pack**

Product number: CP1050011

Colour: White

Mounting: Wall

Rim: Rimless Certificates: EN997 / EN33

Toilet seat: Soft Close and Lift-Off

Weight: Net: 32.55 kg, gross: 33.64 kg

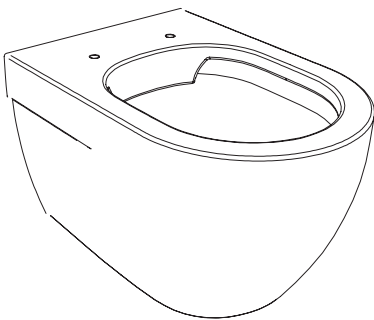
Package size: Length 565 mm, width 415 mm, height 485 mm

Toilet seat Pressalit Comfort D2:

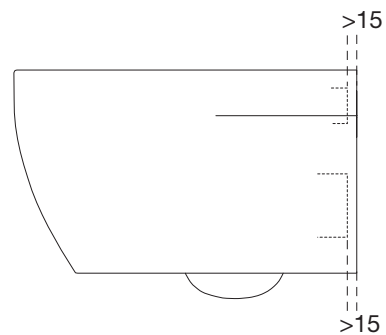
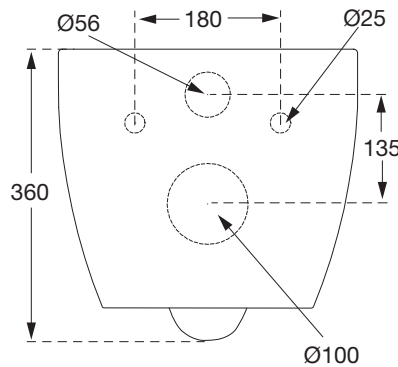
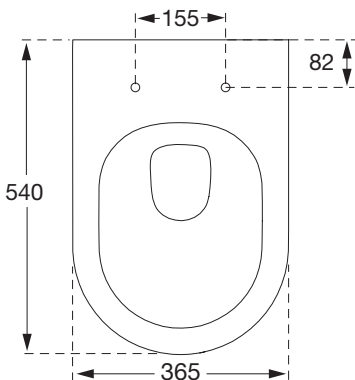


## Pressalit **COMFORT** Pack

When you choose a complete solution from Pressalit, you are certain that the toilet and toilet seat fit perfectly together and that you get a durable solution – guaranteed. Easy mounting with special brackets means that the toilet bowl can be installed by one person.



Includes  
**Flow Reducer**  
to avoid splashing



Toilet



Toilet seat



Click here to see how  
to mount the toilet

04.2024

### PRESSALIT SUPPORTS UNITED NATIONS GLOBAL GOALS



Pressalit's Environmental  
and Quality Management  
Systems are certified  
by LRQA

Pressalit A/S, Pressalitvej 1, 8680 Ry, Denmark, T: +45 8788 8788, [pressalit@pressalit.com](mailto:pressalit@pressalit.com)

Reservations are made for typographic errors, technical changes and model deviations. The products' surfaces are made from different materials and colour variations may occur.