



12-1148

TEL LONG DURATION SERIES



APPLICATIONS

- Customer Premise
- Broadband
- Wireless
- PBX
- Repeaters
- Fixed Wireline

FEATURES & BENEFITS

- Telcordia certified life exceeding 10 years.
- Telcordia tested and qualified to meet all SR-4228 requirements.
- Flame-arresting, one-way pressure-relief vent for safety and long life.
- Thermally welded case-to-cover bond to ensure a leak-proof seal.
- Flame-retardant polypropylene case and cover compliant with UL94 V-0.
- Absorbent Glass Mat (AGM) technology for efficient gas recombination 99% plus.
- Complies with UL1778, 924, 1989 and 94 V-0.
- Eurobat Classification: Long Life.
- UL-recognized component.
- Multicell design for ease of installation and maintenance.
- Not restricted for air transport - Classified as non-hazardous material, complies with IATA/ICAO Special Provision A67.
- Not restricted for surface transport - Classified as non-hazardous material, complies with DOT-CFR Title 49 parts 171-189.
- Not restricted for water transport - Classified as non-hazardous material, complies with IMDG exception 238.

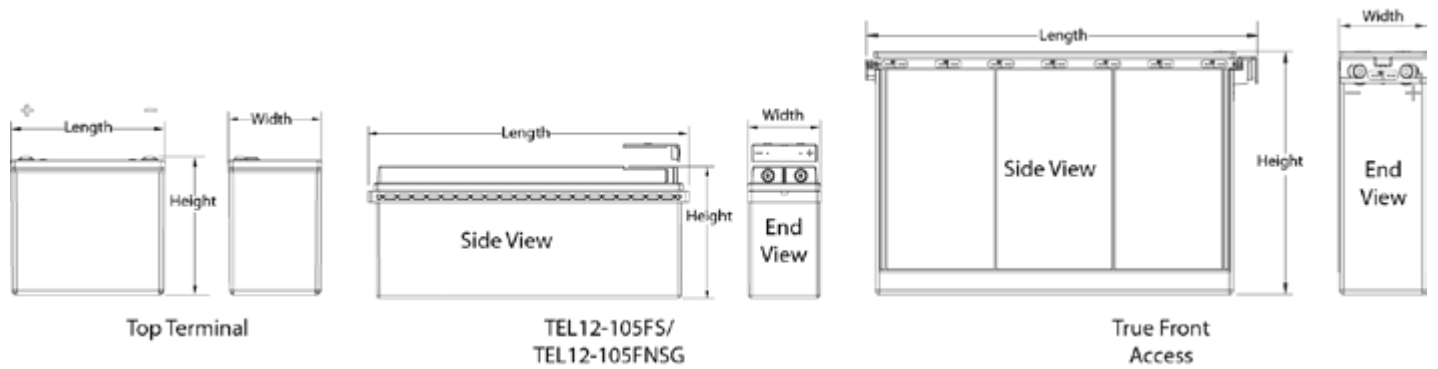
SPECIFICATIONS

OPERATING TEMPERATURE RANGE WITH TEMPERATURE COMPENSATION	Discharge: -40°F (-40°C) to +160°F (+71°C) Charge: -10°F (-23°C) to +140°F (+60°)
NOMINAL OPERATING TEMPERATURE RANGE	+74°F (+23°C) to +80°F (+27°C)
RECOMMENDED MAXIMUM CHARGING CURRENT LIMIT	C/5 amperes @ 20 Hr rate @ 77°F (25°C)
FLOAT CHARGE VOLTAGE	13.5 to 13.8 average per 12V unit (6.75 to 6.90 per 6V unit) @ 77°F (25°C)
MAXIMUM AC RIPPLE (CHARGER)	AC Ripple Voltage - 0.5% RMS or 1.5% P-P of float charge voltage recommended for best results. AC Ripple Current - Max current allowed = C/20 AMPS RMS (5 AMPS RMS Per 100Ah)
SELF DISCHARGE	Battery can be stored up to 6 months at 77°F (25°C) before a freshening charge is required. Batteries stored at temperatures greater than 77°F (25°C) will require recharge sooner than batteries stored at lower temperatures. See C&D bulletin 41-7272, Self-Discharge and Inventory Control for details.
EQUALIZE AND CYCLE SERVICE CHARGE VOLTAGE	14.40 to 14.80 VDC average per 12V unit @ 77°F (25°C); 7.20 to 7.40 VDC per 6V unit

TECHNICAL DATA

CELL	NUMBER OF CELLS	NOMINAL VOLTAGE	NOMINAL CAPACITY		SHORT CIRCUIT	INTERNAL RESISTANCE	TERMINALS	TERMINAL TORQUE	
			10 HR RATE TO 1.80 @	8 HR RATE TO 1.75 @				IN.-LBS	N-m
TEL 12-30	6	12	29.1	30.5	2150	0.0100	#10-32	30	3.4
TEL 12-45	6	12	44.4	46	2500	0.0060	#10-32	30	3.4
TEL 12-70	6	12	67.2	69	3100	0.0050	1/4-20	110	12.4
TEL 12-80	6	12	77.5	79	3300	0.0040	1/4-20	110	12.4
TEL 12-90	6	12	85.5	88	3600	0.0035	1/4-20	110	12.4
TEL 12-105FNSG	6	12	102	104	4000	0.0030	M6	107	12
TEL 12-115FN	6	12	106	108	4000	0.0030	M6	107	12
TEL 12-125	6	12	123	127	5000	0.0023	1/4-20	110	12.4
TEL 12-160Fa	6	12	151	157	4700	0.0031	1/4-20	110	12.4
TEL 12-170FGa	6	12	169	169	4700	0.0033	M6	107	12
TEL 12-180Fa	6	12	174	181	4500	0.0037	1/4-20	110	12.4
TEL 12-210F	6	12	199	202	4500	0.0040	M6	107	12
TEL 12-210Fa	6	12	199	202	4500	0.0040	1/4-20	110	12.4
TEL 12-210FG	6	12	199	202	4500	0.0040	M6	107	12
TEL 6-180	3	6	171	176	4350	0.0012	1/4-20	110	12.4

DIMENSIONS



MODEL	NOMINAL DIMENSIONS							
	LENGTH		WIDTH		HEIGHT		WEIGHT	
	in	mm	in	mm	in	mm	lbs	kg
TEL 12-30	7.77	197	5.19	132	6.80	173	27	12
TEL 12-45	8.99	228	5.48	139	8.07	205	41	18
TEL 12-70	10.26	261	6.83	173	8.01	204	56	25
TEL 12-80	12.04	306	6.83	173	8.06	205	67	30
TEL 12-90	13.42	341	6.80	173	8.52	216	75	34
TEL 12-105FN5G	15.63	397	4.17	106	11.30	287	71	32
TEL 12-115FN5G	20.12	511	4.33	110	9.25	235	73	33
TEL 12-125	13.57	345	6.80	173	10.93	278	102	46
TEL 12-160Fa	22.01	559	4.96	126	11.14	283	117	53
TEL 12-170Fa	22.01	559	4.96	126	10.91	277	112	51
TEL 12-170FG	22.01	559	4.96	126	11.14	283	112	51
TEL 12-180Fa	22.01	559	4.96	126	12.60	320	132	60
TEL 12-210F	22.01	559	4.96	126	12.60	322	132	60
TEL 12-210Fa	22.01	559	4.96	126	12.60	320	132	60
TEL 12-210FG	22.01	559	4.96	126	12.83	322	132	60
TEL 6-180	12.63	321	6.97	177	8.94	227	75	34

NOTE: All dimensions are for reference only. Lug & hardware dimensions not included. Batteries to be mounted with 0.5 in. (12.5 mm) spacing minimum allowing free air ventilation. Contact a C&D Representative for additional dimension information.

TEL12-30

END POINT VOLTS/CELL	CONSTANT POWER DISCHARGE RATINGS - AMPERES @ +77°F (+25°C)											
	OPERATING TIME TO END POINT VOLTAGE (IN HOURS)											
	1.00	2.00	3.00	4.00	5.00	6.00	7.00	8.00	10.00	12.00	20.00	24.00
1.75	22.10	12.95	9.20	7.15	5.82	4.92	4.27	3.80	3.11	2.65	1.65	1.38
1.80	21.00	12.40	8.80	6.90	5.62	4.74	4.12	3.68	3.02	2.58	1.61	1.35
1.85	19.60	11.60	8.40	6.63	5.40	4.56	3.96	3.53	2.92	2.50	1.55	1.30
1.90	18.50	11.05	8.03	6.35	5.22	4.41	3.84	3.41	2.82	2.41	1.50	1.25

TEL12-45

END POINT VOLTS/CELL	CONSTANT POWER DISCHARGE RATINGS - AMPERES @ +77°F (+25°C)											
	OPERATING TIME TO END POINT VOLTAGE (IN HOURS)											
	1.00	2.00	3.00	4.00	5.00	6.00	7.00	8.00	10.00	12.00	20.00	24.00
1.75	31.50	18.50	13.20	10.25	8.45	7.23	6.34	5.69	4.69	3.98	2.50	2.10
1.80	30.00	18.00	13.00	10.00	8.23	7.08	6.19	5.53	4.57	3.88	2.45	2.06
1.85	28.00	17.40	12.70	9.88	8.05	6.90	6.00	5.35	4.43	3.75	2.33	1.97
1.90	26.20	16.50	12.17	9.50	7.83	6.70	5.86	5.20	4.27	3.60	2.23	1.88

TEL12-70

END POINT VOLTS/CELL	CONSTANT POWER DISCHARGE RATINGS - AMPERES @ +77°F (+25°C)											
	OPERATING TIME TO END POINT VOLTAGE (IN HOURS)											
	1.00	2.00	3.00	4.00	5.00	6.00	7.00	8.00	10.00	12.00	20.00	24.00
1.75	46.80	27.50	19.83	15.55	12.86	11.00	9.64	8.64	7.10	6.01	3.75	3.15
1.80	44.50	26.80	19.20	14.95	12.30	10.58	9.29	8.38	6.92	5.86	3.66	3.08
1.85	41.80	25.38	18.30	14.25	11.90	10.20	9.00	8.05	6.60	5.59	3.53	2.98
1.90	39.50	24.20	17.30	13.63	11.30	9.70	8.57	7.73	6.40	5.42	3.43	2.88

TEL12-80

END POINT VOLTS/CELL	CONSTANT POWER DISCHARGE RATINGS - AMPERES @ +77°F (+25°C)											
	OPERATING TIME TO END POINT VOLTAGE (IN HOURS)											
	1.00	2.00	3.00	4.00	5.00	6.00	7.00	8.00	10.00	12.00	20.00	24.00
1.75	53.80	31.50	22.60	17.50	14.50	12.50	11.00	9.88	8.14	6.92	4.40	3.68
1.80	51.10	30.50	21.60	16.95	14.00	12.15	10.69	9.56	7.85	6.70	4.28	3.59
1.85	47.00	27.50	20.30	16.13	13.40	11.58	10.26	9.13	7.50	6.35	4.11	3.45
1.90	43.00	25.40	18.50	15.00	12.50	10.80	9.50	8.50	6.95	5.93	3.88	3.29

TEL12-90

END POINT VOLTS/CELL	CONSTANT POWER DISCHARGE RATINGS - AMPERES @ +77°F (+25°C)											
	OPERATING TIME TO END POINT VOLTAGE (IN HOURS)											
	1.00	2.00	3.00	4.00	5.00	6.00	7.00	8.00	10.00	12.00	20.00	24.00
1.75	60.00	34.80	25.00	19.75	16.20	13.95	12.26	10.95	9.08	7.79	5.00	4.21
1.80	57.00	33.00	24.00	19.00	15.60	13.42	11.86	10.56	8.80	7.58	4.89	4.13
1.85	53.30	31.40	22.80	18.21	15.00	12.77	11.30	10.10	8.44	7.23	4.67	3.96
1.90	49.50	29.85	21.67	17.13	14.20	12.13	10.64	9.50	7.90	6.73	4.34	3.69

NOTE: Batteries to be mounted with 0.5 in. (12.5 mm) spacing minimum allowing free air ventilation. Specifications subject to change without notification. The above ratings do not include connector voltage drops.

TEL12-105FN5G

END POINT VOLTS/CELL	CONSTANT POWER DISCHARGE RATINGS - AMPERES @ +77°F (+25°C)											
	OPERATING TIME TO END POINT VOLTAGE (IN HOURS)											
	1.00	2.00	3.00	4.00	5.00	6.00	7.00	8.00	10.00	12.00	20.00	24.00
1.75	72.9	41.4	29.6	23.5	19.4	16.6	14.5	13.0	10.6	9.0	5.8	4.9
1.80	71.5	40.4	29.0	22.9	19.0	16.3	14.2	12.7	10.4	8.8	5.6	4.7
1.85	66.2	37.7	27.1	21.5	17.9	15.5	13.6	12.2	10.0	8.5	5.4	4.4
1.90	58.6	33.9	24.6	19.6	16.4	14.2	12.6	11.2	9.2	7.8	5.0	4.2

TEL12-115FN

END POINT VOLTS/CELL	CONSTANT POWER DISCHARGE RATINGS - AMPERES @ +77°F (+25°C)											
	OPERATING TIME TO END POINT VOLTAGE (IN HOURS)											
	1.00	2.00	3.00	4.00	5.00	6.00	7.00	8.00	10.00	12.00	20.00	24.00
1.75	71.3	41.1	29.7	23.7	19.9	17.1	15.0	13.5	11.0	9.4	6.0	5.1
1.80	69.9	40.2	29.1	23.2	19.4	16.8	14.7	13.1	10.8	9.2	5.9	5.0
1.85	65.7	38.2	27.8	22.2	18.6	16.1	14.1	12.6	10.3	8.8	5.7	4.8
1.90	58.8	34.7	25.5	20.5	17.3	15.1	13.2	11.8	9.7	8.3	5.3	4.6

TEL12-125

END POINT VOLTS/CELL	CONSTANT POWER DISCHARGE RATINGS - AMPERES @ +77°F (+25°C)											
	OPERATING TIME TO END POINT VOLTAGE (IN HOURS)											
	1.00	2.00	3.00	4.00	5.00	6.00	7.00	8.00	10.00	12.00	20.00	24.00
1.75	87.50	49.00	36.00	28.40	23.60	20.20	17.64	15.75	12.80	10.83	6.74	5.68
1.80	82.50	47.25	34.67	27.50	22.70	19.50	17.00	15.19	12.40	10.58	6.60	5.58
1.85	77.00	44.00	32.50	26.25	21.80	18.67	16.29	14.50	11.90	10.08	6.39	5.40
1.90	71.00	41.50	30.67	24.30	20.20	17.20	15.10	13.40	11.03	9.42	6.00	5.08

TEL12-160Fa

END POINT VOLTS/CELL	CONSTANT POWER DISCHARGE RATINGS - AMPERES @ +77°F (+25°C)											
	OPERATING TIME TO END POINT VOLTAGE (IN HOURS)											
	1.00	2.00	3.00	4.00	5.00	6.00	7.00	8.00	10.00	12.00	20.00	24.00
1.75	107.1	62.2	44.9	35.4	29.3	25.1	22.0	19.7	16.1	13.7	8.6	7.3
1.80	102.7	60.3	43.7	34.5	28.7	24.6	21.6	19.3	15.9	13.5	8.5	7.2
1.85	95.2	56.9	41.6	33.0	27.5	23.6	20.8	18.5	15.3	13.0	8.2	6.9
1.90	83.7	51.2	37.7	30.1	25.2	21.7	19.1	17.1	14.1	12.0	7.5	6.3

TEL12-170FGa

END POINT VOLTS/CELL	CONSTANT POWER DISCHARGE RATINGS - AMPERES @ +77°F (+25°C)											
	OPERATING TIME TO END POINT VOLTAGE (IN HOURS)											
	1.00	2.00	3.00	4.00	5.00	6.00	7.00	8.00	10.00	12.00	20.00	24.00
1.75	109.0	62.1	45.1	35.7	29.8	25.6	22.5	20.3	16.8	14.2	8.9	7.5
1.80	106.0	61.5	44.2	35.0	29.2	25.1	22.2	20.1	16.6	14.0	8.7	7.4
1.85	98.0	57.9	41.8	33.2	27.8	24.1	21.3	19.3	16.0	13.5	8.4	7.1
1.90	87.6	52.0	38.0	30.4	25.6	22.2	19.6	17.7	14.7	12.3	7.7	6.5

NOTE: Batteries to be mounted with 0.5 in. (12.5 mm) spacing minimum allowing free air ventilation. Specifications subject to change without notification. The above ratings do not include connector voltage drops.

TEL12-180Fa

END POINT VOLTS/CELL	CONSTANT POWER DISCHARGE RATINGS - AMPERES @ +77°F (+25°C)											
	OPERATING TIME TO END POINT VOLTAGE (IN HOURS)											
	1.00	2.00	3.00	4.00	5.00	6.00	7.00	8.00	10.00	12.00	20.00	24.00
1.75	123.1	71.7	51.7	40.8	33.8	29.0	25.4	22.6	18.6	15.9	10.0	8.5
1.80	117.3	69.6	50.6	40.0	33.3	28.6	25.0	22.3	18.4	15.6	9.8	8.3
1.85	107.3	65.5	48.0	38.3	31.9	27.4	24.1	21.5	17.7	15.1	9.5	8.0
1.90	107.9	59.1	43.8	35.1	29.4	25.3	22.3	19.9	16.4	14.0	8.8	7.4

TEL12-210FG

END POINT VOLTS/CELL	CONSTANT POWER DISCHARGE RATINGS - AMPERES @ +77°F (+25°C)											
	OPERATING TIME TO END POINT VOLTAGE (IN HOURS)											
	1.00	2.00	3.00	4.00	5.00	6.00	7.00	8.00	10.00	12.00	20.00	24.00
1.75	132.7	79.5	56.2	44.0	36.4	31.1	27.3	24.4	20.0	17.2	11.0	9.4
1.80	128.3	77.7	54.9	42.9	35.5	30.3	26.6	23.7	19.6	16.7	10.8	9.2
1.85	117.6	73.3	52.0	40.7	33.7	28.8	25.3	22.6	18.7	16.0	10.4	8.9
1.90	104.3	66.6	47.4	37.3	30.9	26.5	23.3	20.9	17.3	14.9	9.7	8.3

TEL12-210Fa

END POINT VOLTS/CELL	CONSTANT POWER DISCHARGE RATINGS - AMPERES @ +77°F (+25°C)											
	OPERATING TIME TO END POINT VOLTAGE (IN HOURS)											
	1.00	2.00	3.00	4.00	5.00	6.00	7.00	8.00	10.00	12.00	20.00	24.00
1.75	138.0	82.7	56.7	44.0	37.9	32.3	28.4	24.8	20.0	17.8	11.5	9.8
1.80	133.5	80.8	54.0	41.8	36.9	31.5	27.6	24.6	20.0	17.4	11.2	9.6
1.85	122.4	76.3	52.8	40.8	35.0	30.0	26.3	23.5	19.4	16.6	10.8	9.2
1.90	108.5	69.2	49.3	38.8	32.2	27.6	24.3	21.7	18.0	15.4	10.1	8.6

TEL6-180

END POINT VOLTS/CELL	CONSTANT POWER DISCHARGE RATINGS - AMPERES @ +77°F (+25°C)											
	OPERATING TIME TO END POINT VOLTAGE (IN HOURS)											
	1.00	2.00	3.00	4.00	5.00	6.00	7.00	8.00	10.00	12.00	20.00	24.00
1.75	120.0	68.5	50.0	39.2	32.4	28.0	24.6	21.9	18.1	15.5	10.0	8.4
1.80	113.0	66.0	48.0	38.0	31.4	27.0	23.7	21.2	17.6	15.1	9.7	8.2
1.85	106.0	62.0	45.5	36.0	30.0	25.8	22.7	20.3	16.9	14.5	9.3	7.8
1.90	94.0	57.3	42.0	33.5	27.9	24.0	21.1	19.0	15.8	13.7	8.9	7.6

NOTE: Batteries to be mounted with 0.5 in. (12.5 mm) spacing minimum allowing free air ventilation. Specifications subject to change without notification. The above ratings do not include connector voltage drops.



www.cdtechno.com

OFFICES

C&D WORLD HEADQUARTERS

200 Precision Road
Horsham, Pennsylvania 19044 USA

C&D UNITED KINGDOM

25 Earlstrees Road
Corby, NN17 4AZ, UK

CANADA

C&D Mississauga Sales Office
6665 Millcreek Dr. Unit 3
Mississauga, Ontario L5N 5M4 Canada

MANUFACTURING

UNITED STATES

C&D Attica Manufacturing
200 W. Main Street
Attica, Indiana 47918-0279 USA

MEXICO

C&D Reynosa Manufacturing
Ave. Industrial del Norte S/N
Lote 6, Manzana 9
Reynosa, Tamaulipas

CHINA

C&D Shanghai PSD Manufacturing
No 55 Liandu Road
Spark Development Zone
FengXian District
Shanghai, China, 201419



©2022 C&D Technologies Inc. Any data, descriptions or specifications presented herein are subject to revision by C&D Technologies, Inc. without notice. While such information is believed to be accurate as indicated herein, C&D Technologies, Inc. makes no warranty and hereby disclaims all warranties, express or implied, with regard to the accuracy or completeness of such information. Further, because the product(s) featured herein may be used under conditions beyond its control, C&D Technologies, Inc. hereby disclaims all warranties, either express or implied, concerning the fitness or suitability of such product(s) for any particular use or in any specific application or arising from any course of dealing or usage of trade. The user is solely responsible for determining the suitability of the product(s) featured herein for user's intended purpose and in user's specific application.

12-1148 0505/CD

TR01120_TEL_Datasheet_101122