

Fat Lippie

Ledge Installation Guide



Tools You'll Need

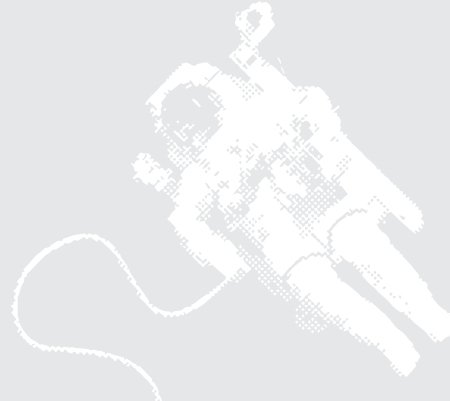
REQUIRED TOOLS	Drill	
	1/4" Diameter Drill Bit	
	Measuring Tape	
	Level	
	Pencil	

OPTIONAL TOOLS	Wall anchors	
	3/4" Countersink Bit	
	3/16" Diameter Drill Bit	

What's Included

1x
Finished Picture Ledge

5-12x
Wall Fasteners



Still need help? Speak with a Shelfologist today or see back of installation guide for further motivational support.

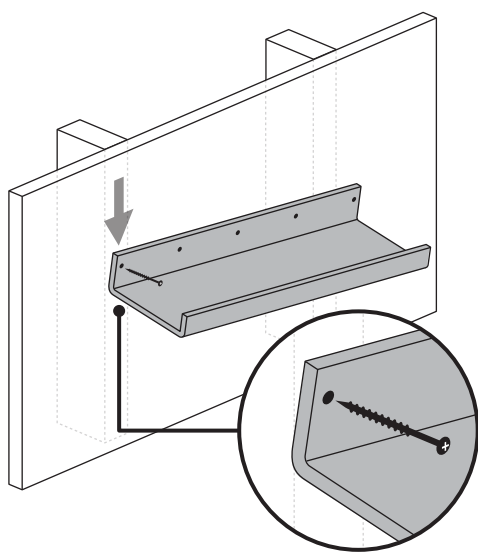
CALL A SHEFLOGIST
949.244.1083

CHAT WITH A SHEFLOGIST
hello@shelfology.com

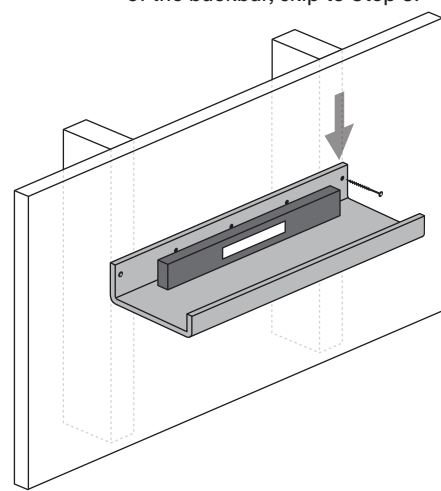
VISIT US ONLINE
www.shelfology.com



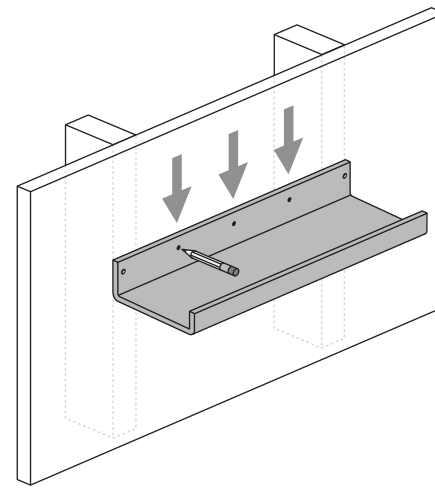
1 Position picture ledge on the wall with the pre-drilled holes along the top edge. Align screw holes with as many studs as possible. Use drill to screw in either far left or right hole.



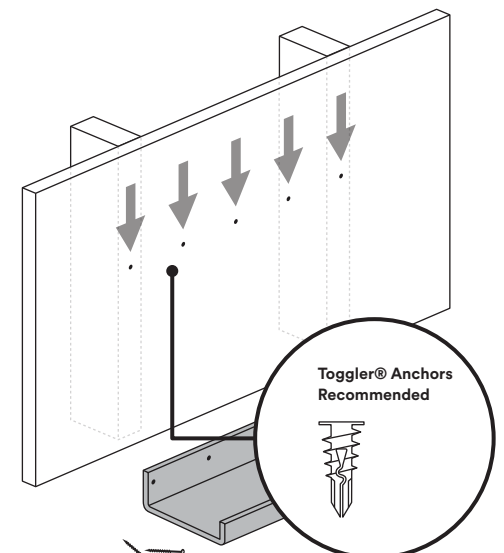
2 Level the picture ledge and set second screw in opposite end screw hole with your drill. If the screw holes miss an available stud see **Rad Tip #1 below**. If you've already installed blocking behind the length of the backbar, skip to Step 5.



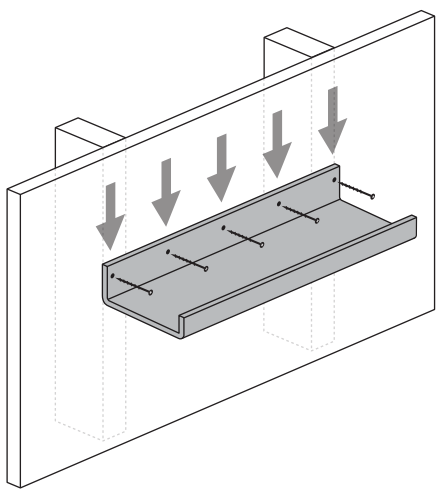
3 While the picture ledge is mounted to the wall, mark every remaining empty screw hole with a pencil.



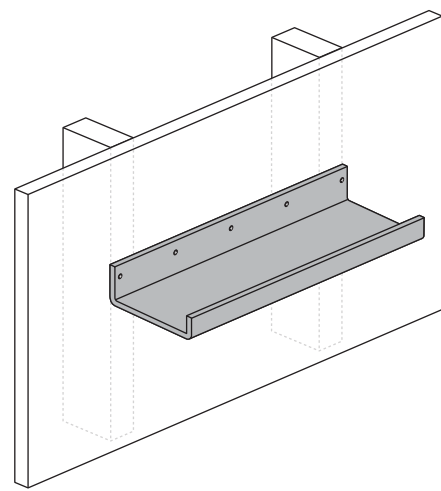
4 Remove the picture ledge from the wall to install wall anchors in each marked location that is not on a wall stud. Pre-drill each wall anchor location with 1/4" drill bit to avoid breaking wall anchors.



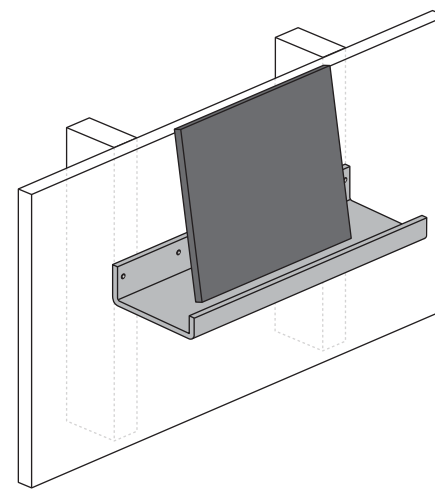
5 Replace the picture ledge, drill screw into each screw hole.



6 Make final inspection of the picture ledge. Check for picture ledge sag, confirm the picture ledge is correctly secured to wall. If your picture ledge is sagging, refer to **Rad Tip #1 and #2**.

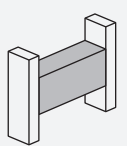
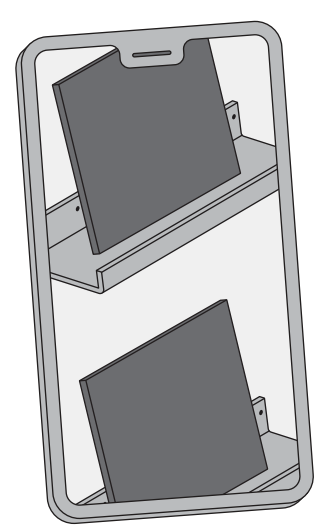


7 Stand back and relax, you did it! Give your cat a celebratory fist bump, if present. Gently place your Kenny G vinyl collection on picture ledge and admire!

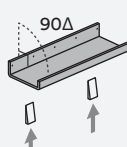


8 Post your sweet Fat Lippie system shelfie on Instagram. Warning: Rad prizes may apply to shelfie of the week.

@shelfology #radshelfie



Rad Tip #1 Blocking refers to pieces of wood or other material that run between wall studs in order to provide support and attachment sites for your rail.



Rad Tip #2 If your wall is not straight, use shims to ensure your picture ledge is installed straight across the wall face and square to the wall.



***WARNING:** Picture ledges must be correctly installed into studs or wall blocking. Failure to do so may result in sagging, falling objects, or serious injury.

How did we do?

You'll get an email soon asking for a product review, and we'd be stoked if you oblige. You rock in advance!



RECLAIM
YOUR
WALLS



CERTIFIED
RADNESS

BRING YOUR “A” GAME

CL
MOM


Shelfology®