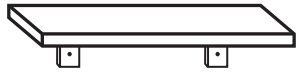


Leif

System Installation Guide



Tools You'll Need

Drill/Driver	
Measuring Tape	
Level	
Pencil	
Painters Tape	
1/8" Drill Bit	
OPTIONAL TOOLS	
1/4" Drill Bit	

What's Included

1x Finished Shelf Slab	
2x Shelf Bracket	
4x Wall Fasteners	
4x Shelf Set Screws	
4x Wall Anchors	

Still need help? Speak with a Shelfologist today or see back of installation guide for further motivational support.

CALL A SHEFLOGIST
949.244.1083

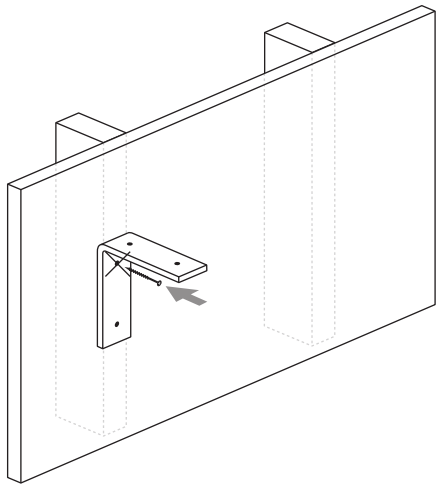
CHAT WITH A SHEFLOGIST
hello@shelfology.com

VISIT US ONLINE
www.shelfology.com

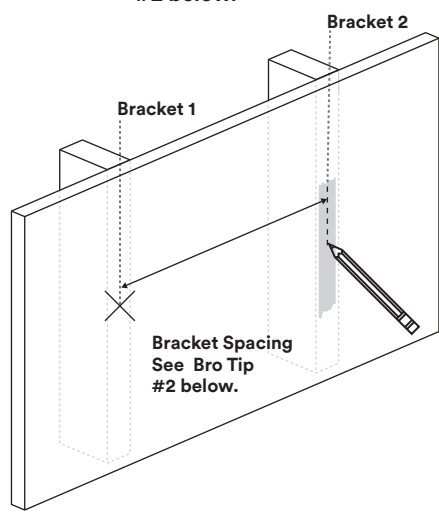
How did we do?
You'll get an email soon asking for a product review, and we'd be stoked if you oblige. You rock in advance!



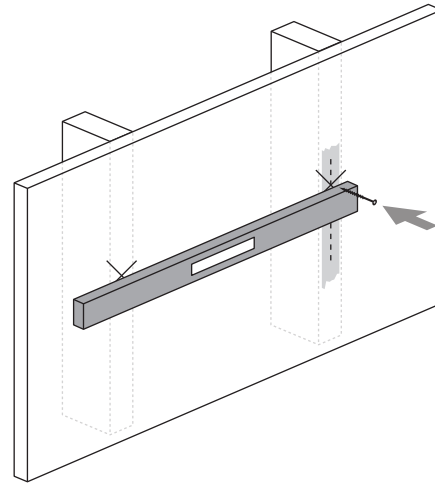
1 Yo, here we go! Position the first bracket on your wall, ideally on a stud or blocking. **See Rad Tip #1 below if you don't know what blocking is.** Mark top-most screw hole with the screw tip. Remove bracket from wall. Grab a can of cola, crack it open.



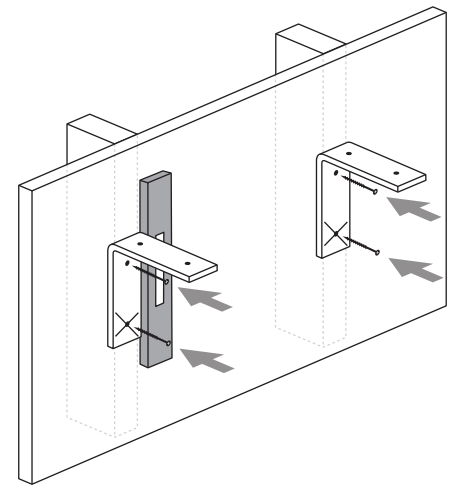
2 Measure the bracket spacing from screw hole mark, and righteously apply painters tape to general mounting area of second bracket. Measure again and draw a short vertical line on the tape. **See Rad Tip #2 below.**



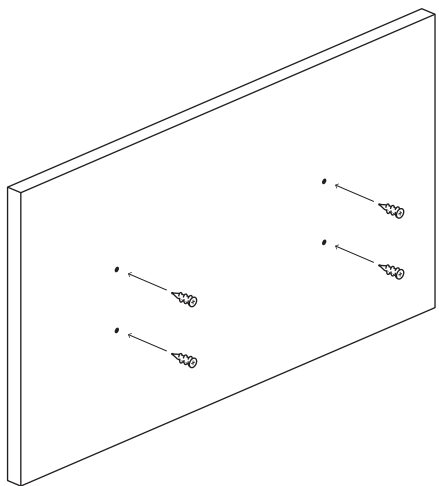
3 Place a level on first screw hole. Find the intersection at level and vertical line. If you do not have a long enough level, **see Rad Tip #3 below.** Use a wall screw to punch a hole into the wall behind painters tape. Remove the tape.



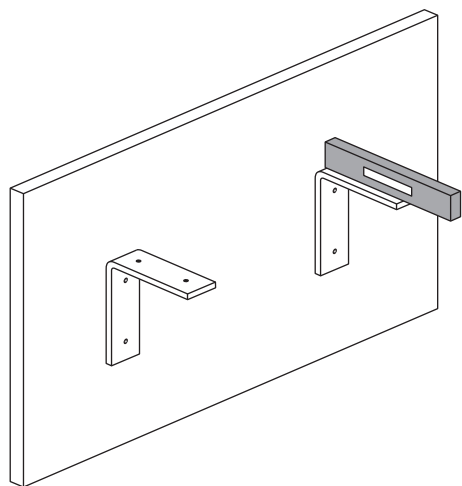
4 Install the top screw locations. Vertically level each bracket. Punch a hole in all remaining screw locations with screw tip.



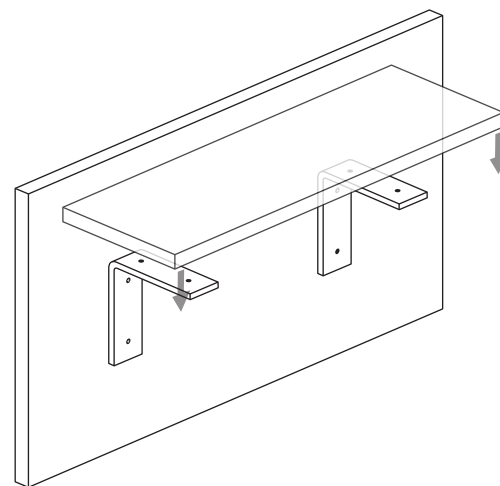
5 Screw holes that are not on studs or blocking require a wall anchor. Remove the brackets from your wall and predrill applicable screw locations with a 1/4" bit then install wall anchors. Take a swig of your brew.



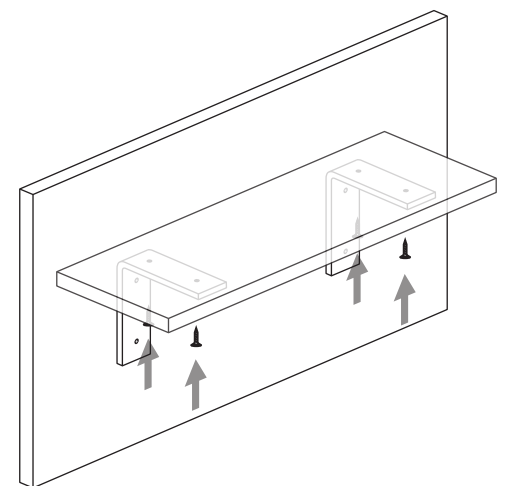
6 Position the brackets, install all wall screws. Use a level to check each bracket for sag. **See Rad Tip #4 to remove sag.** Confirm the brackets are secure to wall.



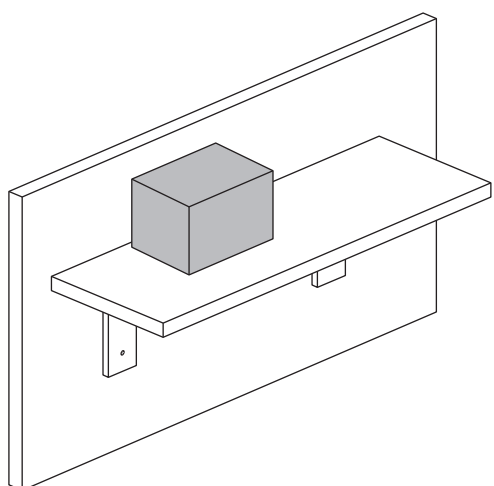
7 Lay the top shelf on your brackets and position as desired. **See Rad Tip #5 below.**



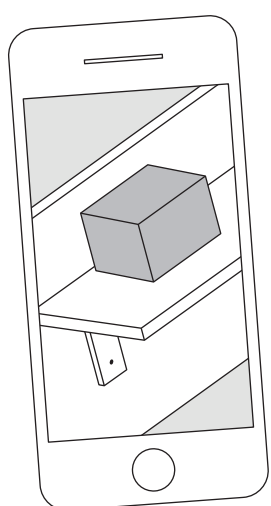
8 Hold the shelf steady and use a set screw to poke a hole on the shelf. Using your 1/8" drill bit, predrill set screw locations before installing set screws into the shelf.



9 Gently place your D&D dungeon gaming set on the shelf, stand back, and take that last sweet swig of carbonated goodness. You did it, long distance high-fives!



10 Post your sweet Leif shelfie on Instagram. Warning: Rad prizes may apply to shelfie of the week. @shelfology #radshelfie



Rad Tip #1 The more studs you drill into, the better. Utilize all studs and blocking available.

Blocking refers to pieces of wood or other material that run between wall studs in order to provide support and attachment sites for brackets.

Rad Tip #2 Bracket spacing is up to you. It's part of Leif's insanely cool aesthetic. With that said, these brackets should never be more than 48" apart. Saggy shelves suck!

Rad Tip #3 You can turn a short level into a long one by laying it on a straight object like a yard stick. Just hold it against the wall with your bullet level on top and measure!

Rad Tip #4 To remove sag, a shim can be used. If you do not have a wood shim, something solid like a dime or washer can be placed between the wall and the bracket edge to raise or lower the rod elevation.

Rad Tip #5 If you want our opinion, brackets should be set 4" OC (on center) from each end of the shelf, with an additional centered bracket for shelves over 48".

***WARNING: Shelf hardware must be correctly installed into studs, wall blocking, sheetrock or anchors. Failure to do so may result in sagging shelves, falling objects, or serious injury.**

KEEP ON SMILING




Shelfology®