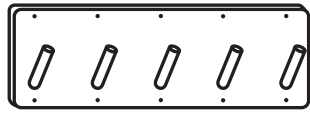
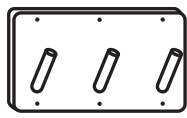







Peggy

Hook Installation Guide






Tools You'll Need

Drill	
Level	
Pencil	
Innate Radness (Done!)	
1/8" Diameter Drill Bit*	

* OPTIONAL TOOLS

What's Included

1x 1,3, or 5 Wall Hook	
1x Wall Fastener Set	
1x Wall Anchor Set	

Still need help? Speak with a Shelfologist today or see back of installation guide for further motivational support.

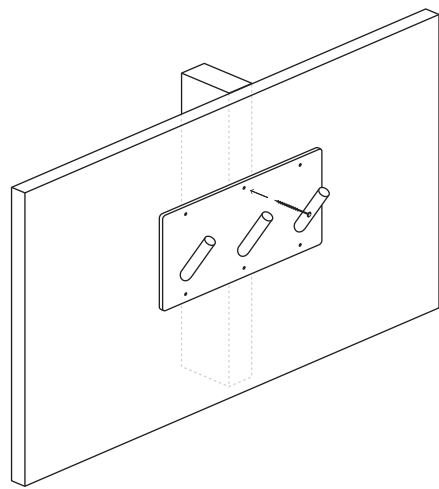
CALL A SHEFLOGIST
949.244.1083

CHAT WITH A SHEFLOGIST
hello@shelfology.com

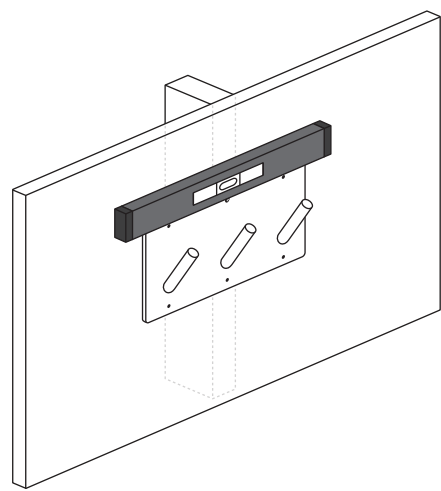
VISIT US ONLINE
www.shelfology.com



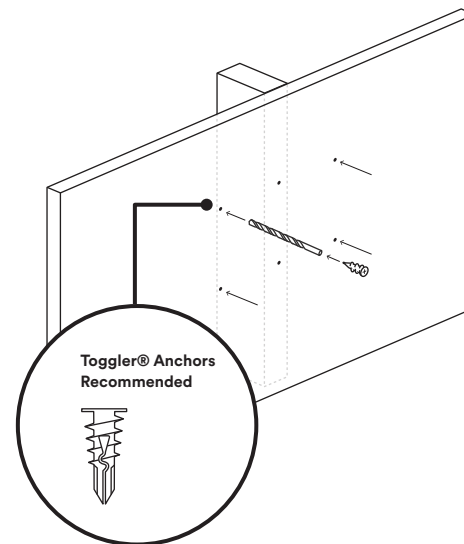
1 Position hook on the wall in desired location. Align an upper screw hole with a wall area backed by a stud or blocking. **See Rad Tip #1 below.** Use a drill to install screw into this location. If there is no stud or blocking, skip to step 5.



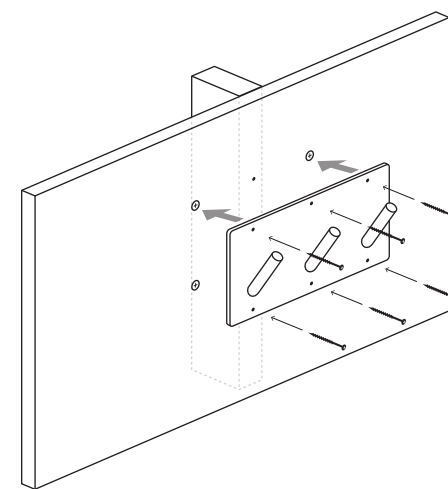
2 Level the hook, use bubble level if needed. Mark all remaining holes with pencil or screw tip. Remove the wall hook.



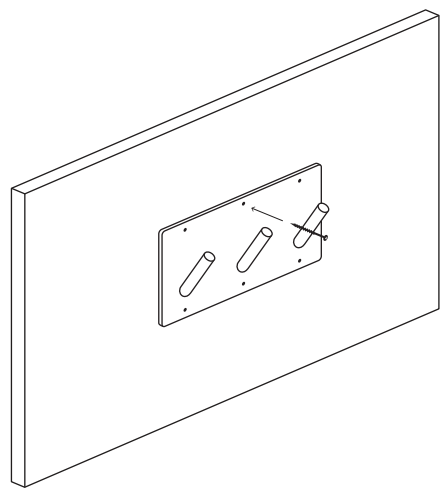
3 Drill Pilot holes using 1/8" diameter drill bit in all screw locations not backed by a stud or blocking. Install wall anchors into these locations.



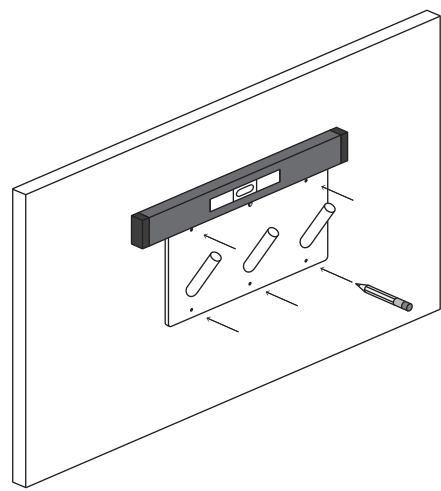
4 Reinstall wall hook using wall fasteners. Skip to step 9.



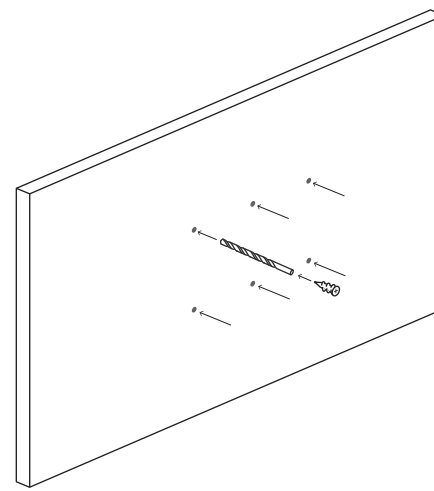
5 Position the hook in desired location. Use a drill to install a wall fastener screw into an upper screw hole.



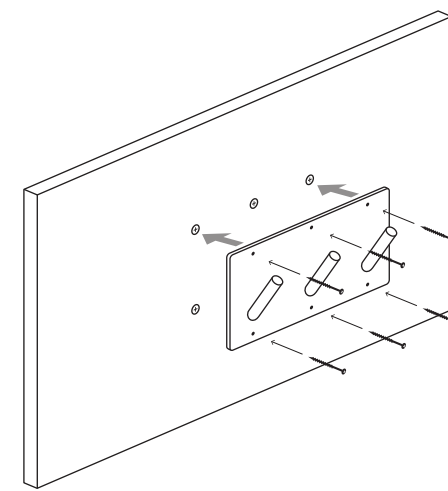
6 Level the hook, use bubble level if needed. Mark all remaining holes with pencil or screw tip. Uninstall first screw and hook.



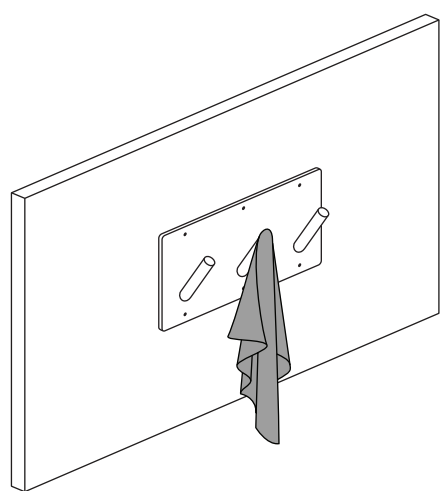
7 Drill a pilot hole for each marked location with a 1/8" diameter drill bit. Install wall anchors into each hole.



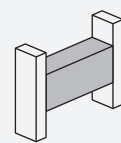
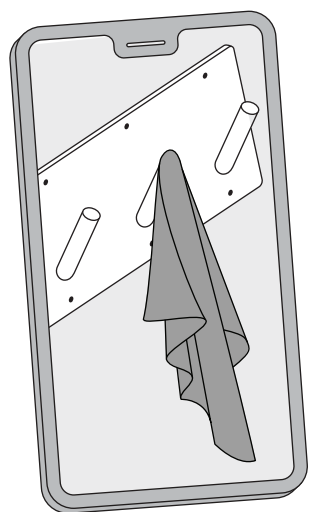
8 Reinstall wall hook using wall fasteners.



9 Stand back and relax, you did it! Give your cat a celebratory fist bump, if present. Hang your silk Sense and Sensibility™ replica ascot tie on hook and admire!



10 Post your sweet Peggy Wall Hook shelfie on Instagram. Warning: Rad prizes may apply to shelfie of the week.
@silicatestudio.shelfology
#radshelfie



Rad Tip #1 Blocking refers to pieces of wood or other material that run between wall studs in order to provide support and attachment sites for your shelf or hook.



****WARNING:** Shelves must be correctly installed into studs or wall blocking. Failure to do so may result in sagging shelves, falling objects, or serious injury.

How did we do?

You'll get an email soon asking for a product review, and we'd be stoked if you oblige. You rock in advance!

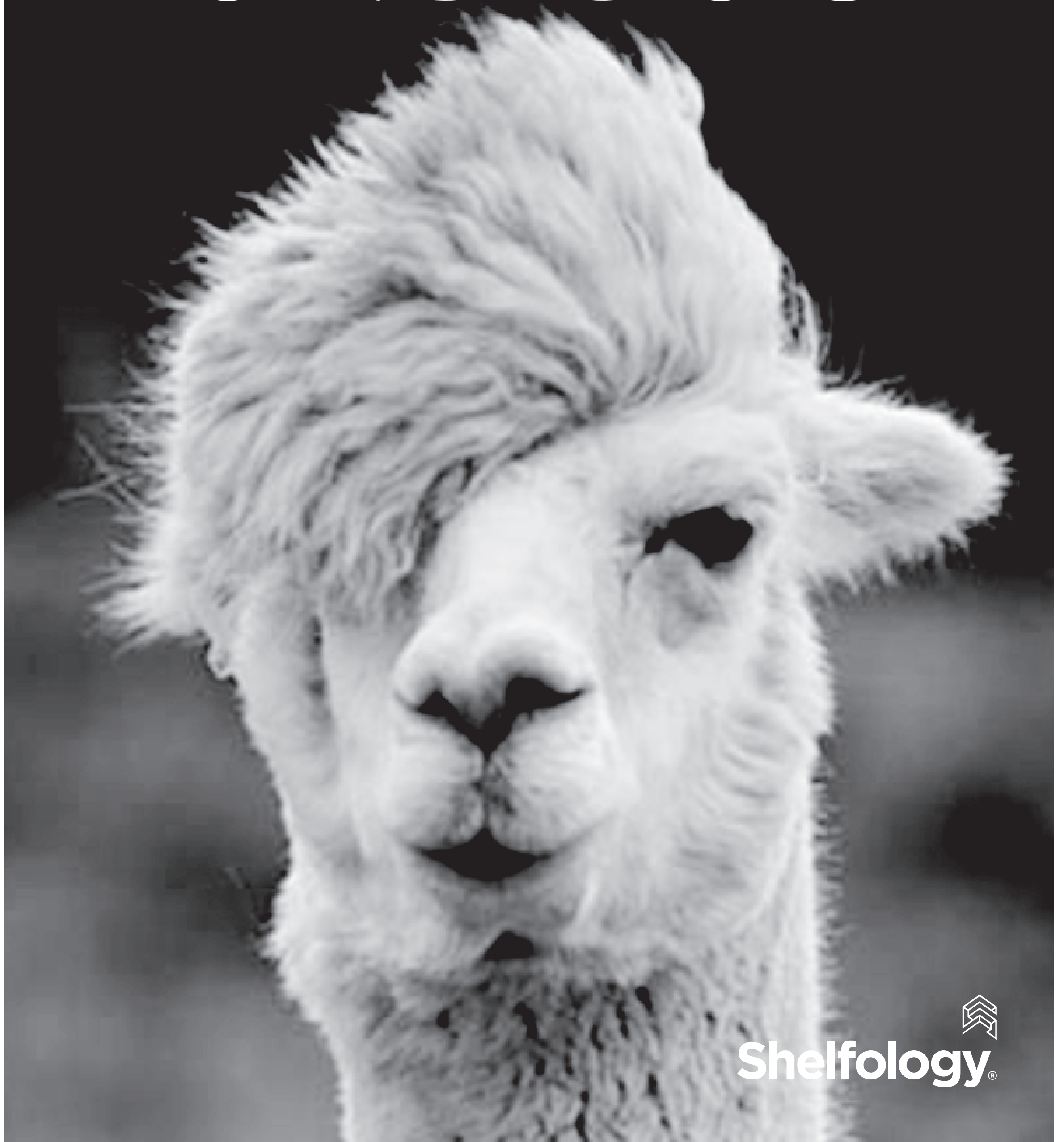


RECLAIM
YOUR
WALLS



CERTIFIED
RADNESS

**WE TOTALLY
GET YOU**




Shelfology®