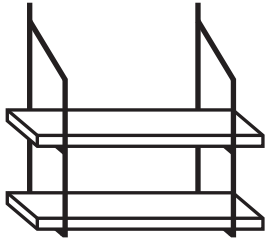


Verne

System Installation Guide



Tools You'll Need

Drill/Driver	
Measuring Tape	
Level	
Pencil	
Painters Tape	
Square	
Buddy/Pal	
OPTIONAL TOOLS	
1/4" Diameter Drill Bit	

What's Included

1x Finished Shelf Set	
1x Shelf Bracket Set	
1x 2" Wall Screw Set	
1x 1" Shelf Screw Set	
1x Wall Anchor Set	

Still need help? Speak with a Shelfologist today or see back of installation guide for further motivational support.

CALL A SHEFLOGIST
949.244.1083

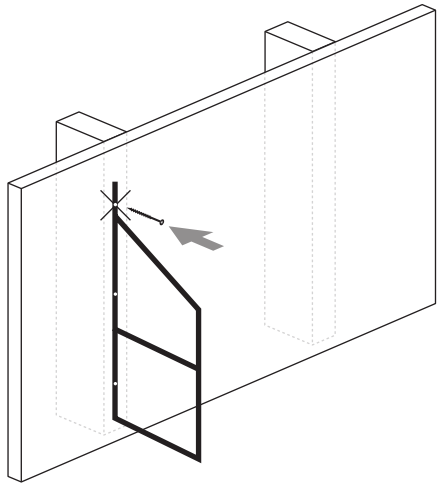
CHAT WITH A SHEFLOGIST
hello@shelfology.com

VISIT US ONLINE
www.shelfology.com

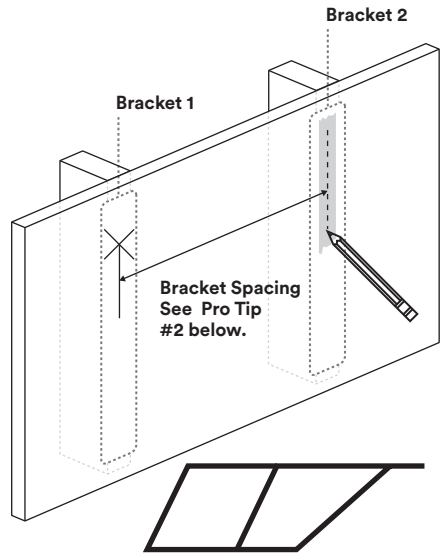
How did we do?
You'll get an email soon asking for a product review, and we'd be stoked if you oblige. You rock in advance!



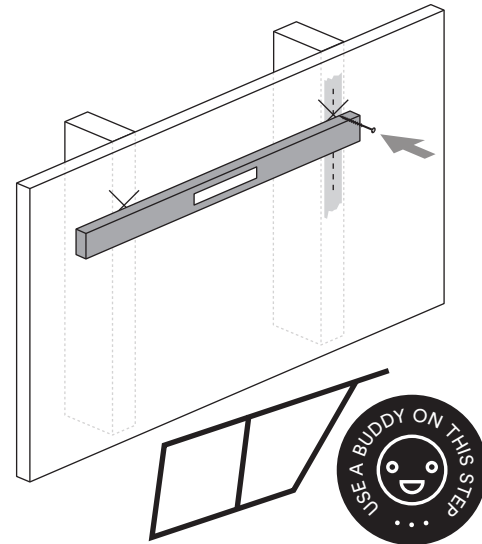
1 Yo, here we go! Position the first bracket on your wall, ideally on a stud or blocking. **See Rad Tip #1 below** if you don't know what blocking is. Mark top-most screw hole with the screw tip. Remove bracket from wall. Grab a can of brew**, crack it open.



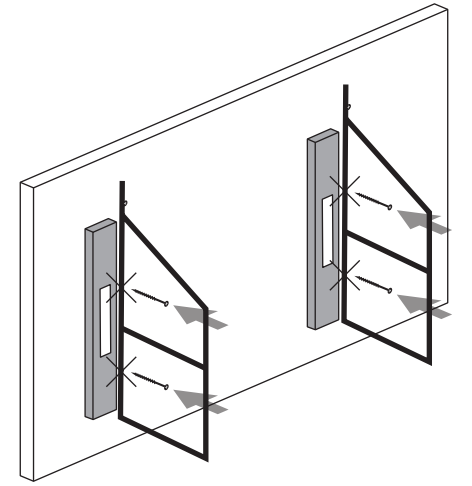
2 Measure the bracket spacing from screw hole and righteously apply painters tape to general mounting area of second bracket. Measure again and draw a short vertical line on the tape. **See Rad Tip #2 below.**



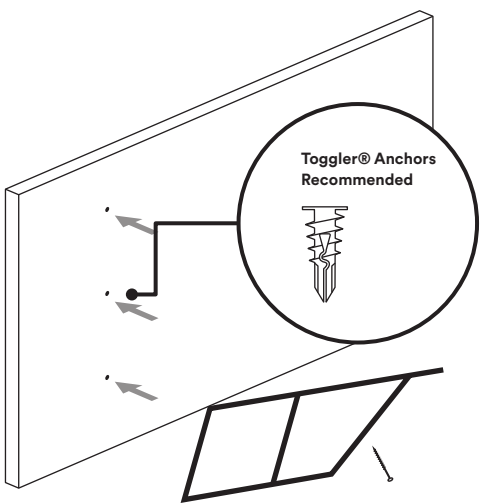
3 Place a level on first screw hole. Find the intersection at level and vertical line. If you do not have a long enough level, **see Rad Tip #3 below**. Use a wall screw to punch a hole into wall behind painters tape. Remove the tape.



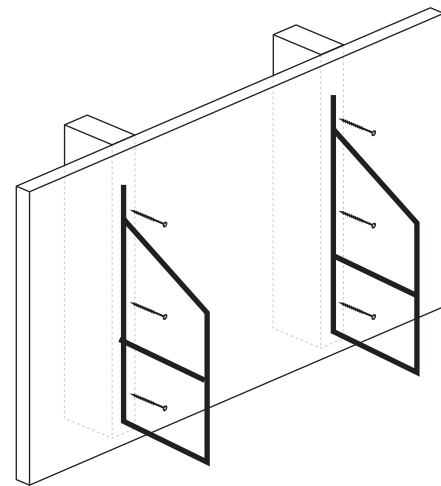
4 Install all the top screw locations. Vertically level each bracket. Punch a hole in all remaining screw locations with screw tip. If your brackets are on studs or blocking, skip to step 6. If not, proceed to step 5.



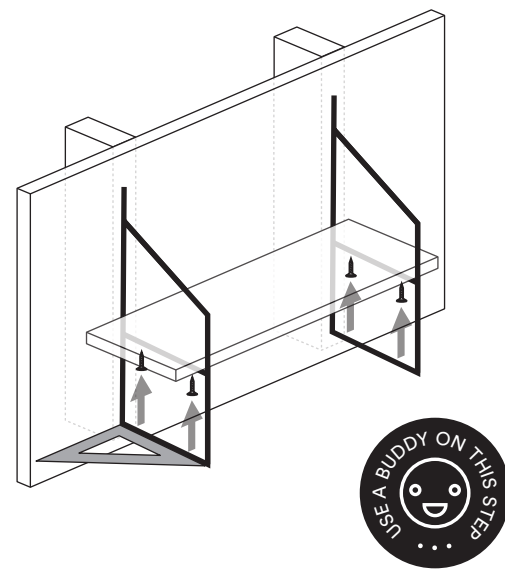
5 Remove the brackets from your wall. Predrill all marked screw locations with a 1/4" bit and install sheet rock wall anchors in each screw hole location. Take a swig of your brew.



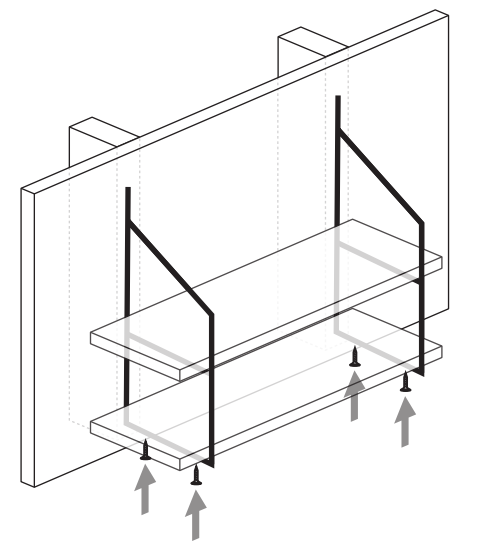
6 Position the brackets, install all wall screws. Confirm the brackets are secure to wall. Note: Brackets may wiggle left to right at this point. Chill, installing the shelves will resolve this!



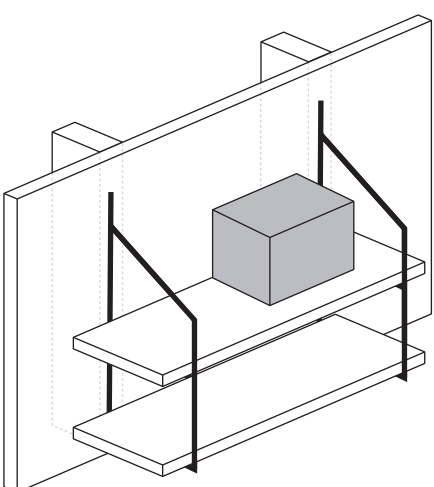
7 Lay the top shelf on your bracket and position as desired. **See Rad Tip #4 below**. Hold the bracket perpendicular to your wall by using a square. Hold the shelf steady and install shelf screws into the shelf.



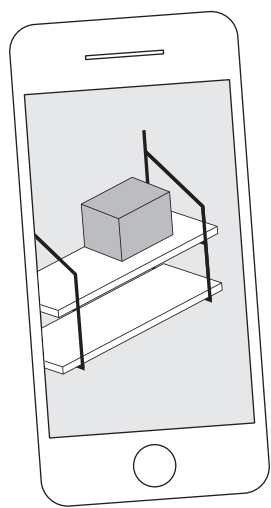
8 Repeat step 7 for all remaining shelves, working from top to bottom. Take another swig of your brew**.



9 Stand back and relax, you did it! Fist bump your buddy, if present. Gently place your Ninja Turtles™ box collection on shelf and admire!



10 Post your sweet Verne system shelfie on Instagram. Warning: Rad prizes may apply to shelfie of the week. @shelfology #radshelfie



Rad Tip #1 The more studs you drill into, the better. Utilize all studs and blocking available.

Blocking refers to pieces of wood or other material that run between wall studs in order to provide support and attachment sites for brackets.

Rad Tip #2 Bracket spacing is up to you. It's part of Verne's insanely cool aesthetic. With that said, these brackets should never be more than 48" apart. Saggy shelves suck!

Rad Tip #3 You can turn a short level into a long one by laying it on a straight object like your Verne bracket. Just hold it on the wall with your bullet level on top and measure!

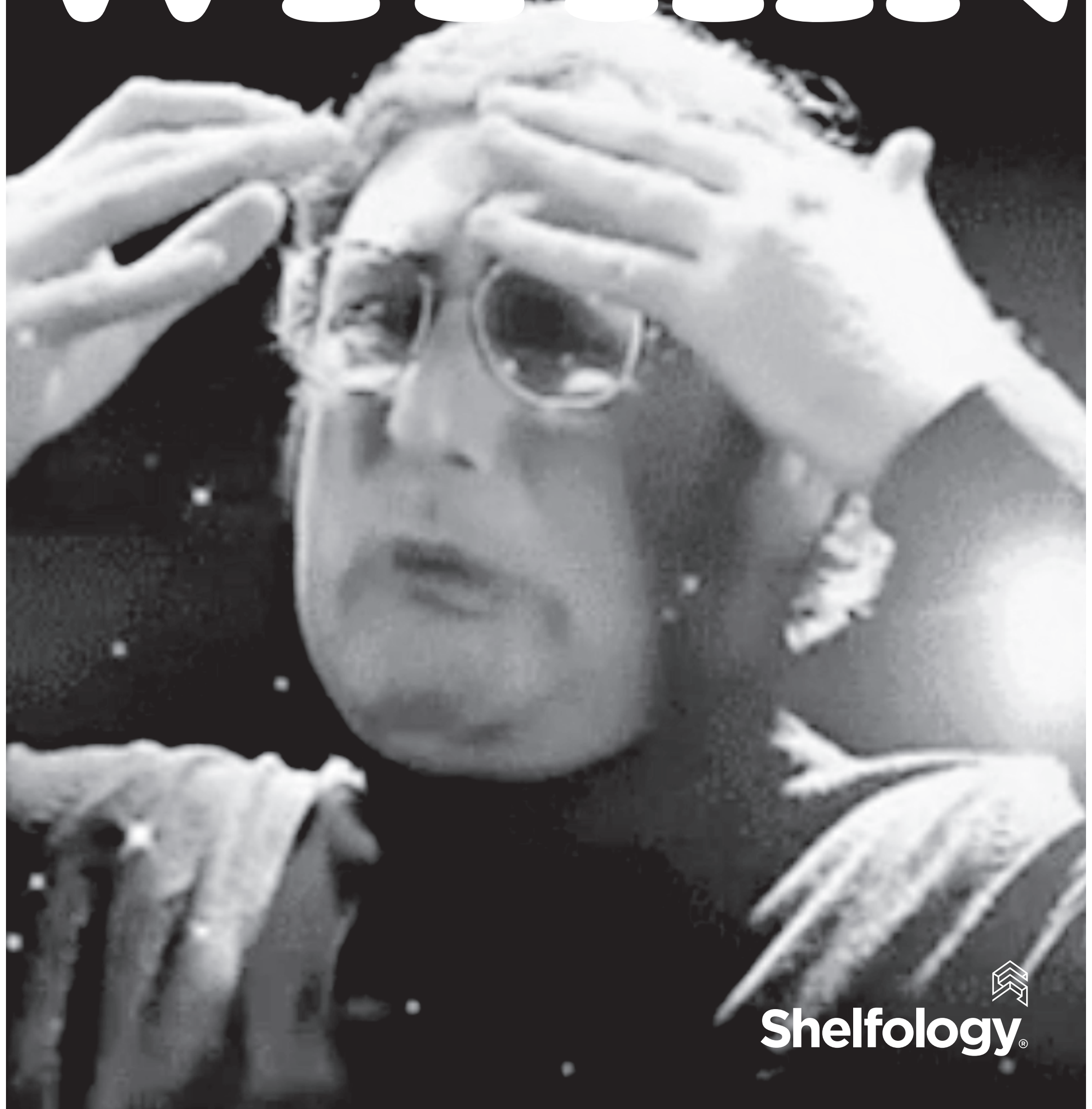
Rad Tip #4 If you want our opinion, brackets should be set 2" OC (on center) from each end of the shelf, with an additional centered bracket for shelves over 48".



***WARNING: Shelf hardware must be correctly installed into studs, wall blocking, sheetrock or anchors. Failure to do so may result in sagging shelves, falling objects, or serious injury.**

**We prefer the root beer type of brew, it's super yum during install.

LOOK WITHIN




Shelfology[®]