

# Tromso

## System Installation Guide



### Tools You'll Need

REQUIRED TOOLS	Drill	
	1/4" Diameter Drill Bit	
	Measuring Tape	
	Level	
	Pencil	
OPTIONAL TOOLS	3/4" Countersink Bit	
	3/16" Diameter Drill Bit	

### What's Included

1x	Finished Shelf	
1x	Cover Plate (optional)	
1x	Wall Anchor Set	

Still need help? Speak with a Shelfologist today or see back of installation guide for further motivational support.

CALL A SHEFLOGIST  
949.244.1083

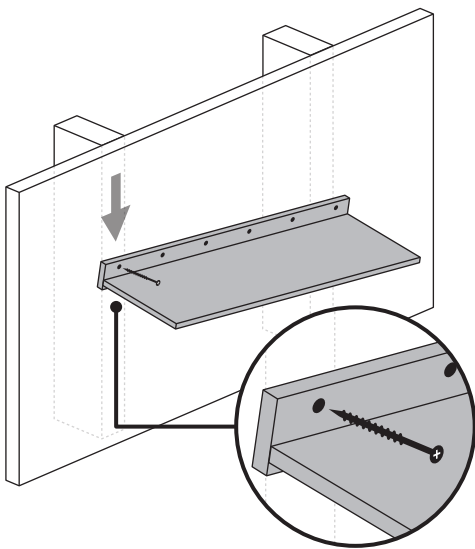
CHAT WITH A SHEFLOGIST  
hello@shelfology.com

VISIT US ONLINE  
www.shelfology.com



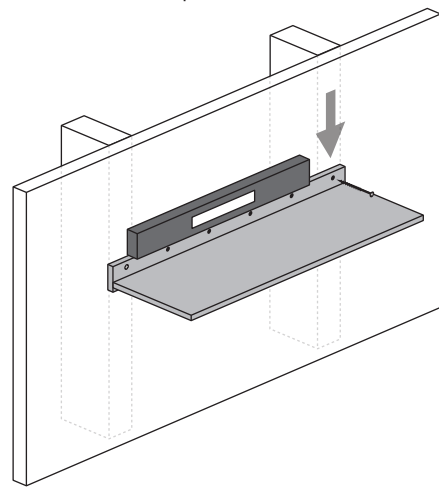
1

Position shelf on the wall with the pre-drilled holes along the top edge. Align screw holes with as many studs as possible. Use drill to screw in either far left or right hole.



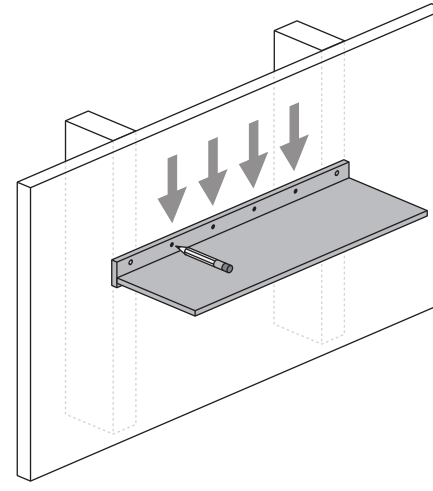
2

Level the shelf and set second screw in opposite end screw hole with your drill. If the shelf screw holes miss an available stud **see Rad Tip #1 below**. If you've already installed blocking behind the length of the backbar, skip to Step 5.



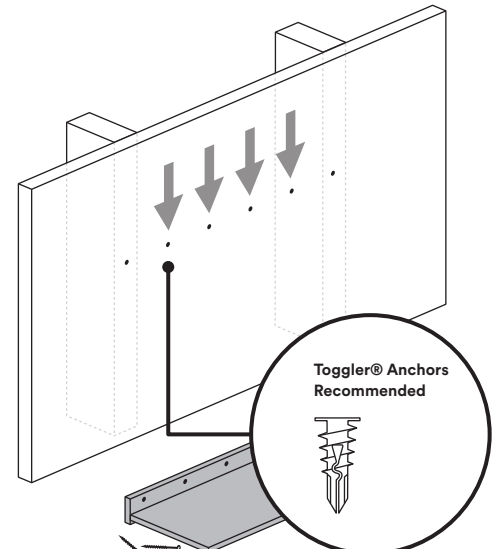
3

While the shelf is mounted to the wall, mark every remaining empty screw hole with a pencil.



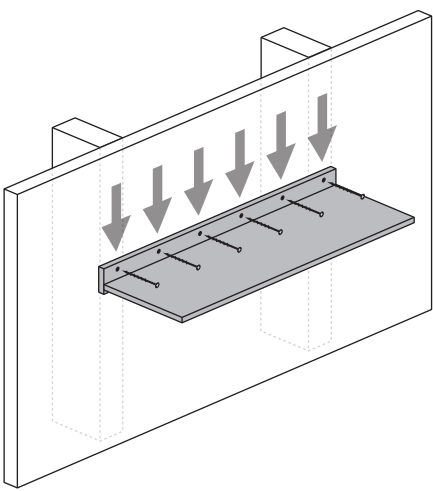
4

Remove the shelf from the wall to install wall anchors in each marked location that is not on a wall stud. Pre-drill each wall anchor location with 1/4" drill bit to avoid breaking wall anchors.



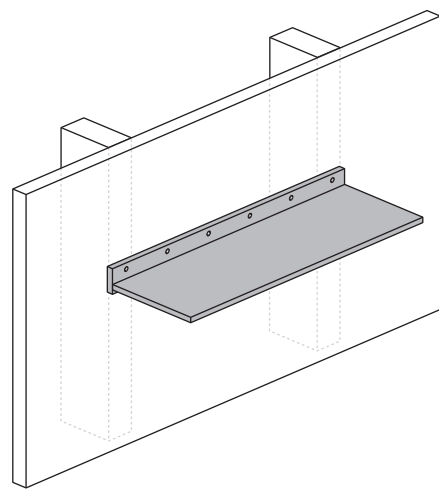
5

Replace the shelf, drill screw into each screw hole. **See Rad Tip #2 below**.



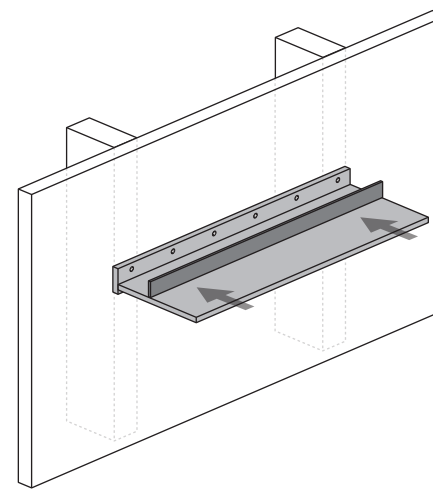
6

Make final inspection of the shelf. Check for shelf sag, confirm the shelf is correctly secured to wall. If your shelf is sagging, refer to **Rad Tip #1 and #2**.



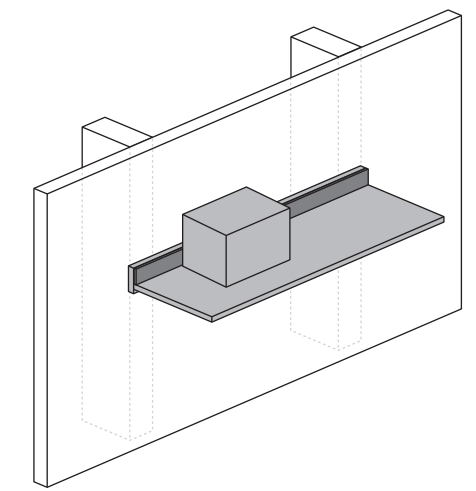
7

If you ordered a cover plate, carefully align to backbar and let the magnets snap onto the backbar. You may need to then slide the cover into correct position. Take care not to pinch your fingers, those magnets are strong!



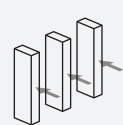
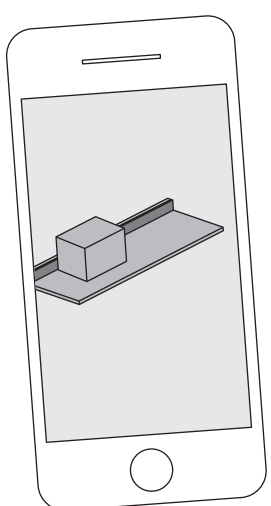
8

Stand back and relax, you did it! Give your cat a celebratory fist bump, if present. Gently place your Golden Girls™ box collection on shelf and admire!

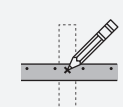


9

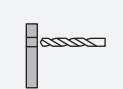
Post your sweet Tromso system shelfie on Instagram. Warning: Rad prizes may apply to shelfie of the week.  
@silicatestudio.shelfology  
#radshelfie



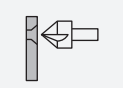
**Rad Tip #1 Utilize all studs and blocking available.** If a stud is not utilized, follow the steps below to create new holes on your shelf:



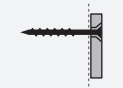
1.1 Mark a new hole on shelf back bar on center of stud.



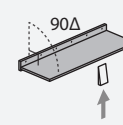
1.2 Drill through marked hole location on shelf back bar with 3/16" bit.



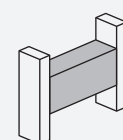
1.3 Partially drill the same hole with a 3/4" countersink bit.



1.4 Insert and drill screw into stud.



**Rad Tip #2** If your wall is not straight, use shims to ensure your shelf is installed straight across the wall face and square to the wall.



**Rad Tip #3** Blocking refers to pieces of wood or other material that run between wall studs in order to provide support and attachment sites for your shelf. For Tromso shelves, blocking is your friend!



**\*WARNING: Shelves must be correctly installed into studs or wall blocking. Failure to do so may result in sagging shelves, falling objects, or serious injury.**

With Tromso shelves in particular, we STRONGLY recommend using every stud it crosses.

## How did we do?

You'll get an email soon asking for a product review, and we'd be stoked if you oblige. You rock in advance!



RECLAIM  
YOUR  
WALLS



CERTIFIED



RADNESS

# CHANNEL YOUR INNER MULLET

  
Shelfology®