

Shard

Hook Installation Guide



Tools You'll Need

| | |
|------------------------|--|
| Drill/Driver | |
| Level | |
| Pencil* | |
| Innate Radness (Done!) | |
| ¼" Diameter Drill Bit* | |

What's Included

| | |
|-------------------------|--|
| 1x Shard Wall Hook | |
| 1x Wall Fastener Set | |
| 1x Wall Anchor Set | |

Still need help? Speak with a Shelfologist today or see back of installation guide for further motivational support.

CALL A SHEFLOGIST
949.244.1083

CHAT WITH A SHEFLOGIST
hello@shelfology.com

VISIT US ONLINE
www.shelfology.com

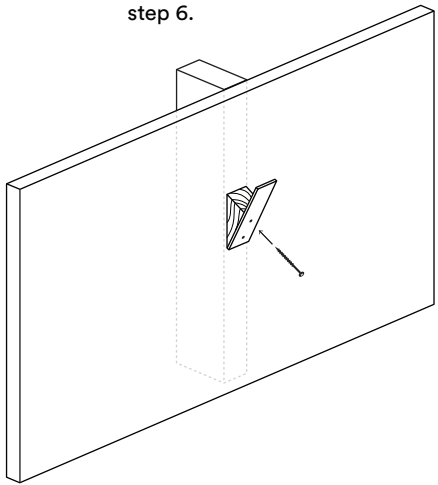
How did we do?

You'll get an email soon asking for a product review, and we'd be stoked if you oblige. You rock in advance!



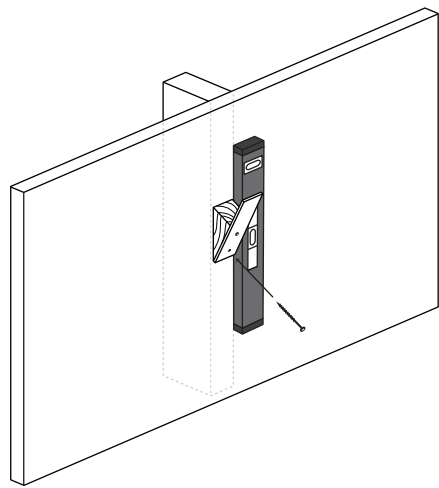
1

Yo, let's go! Position hook on the wall in desired location. Align the upper screw hole with a wall area backed by a stud or blocking. **See Rad Tip #1 below.** Use a drill to install the longest screw into this location. If there is no stud or blocking, skip to step 6.



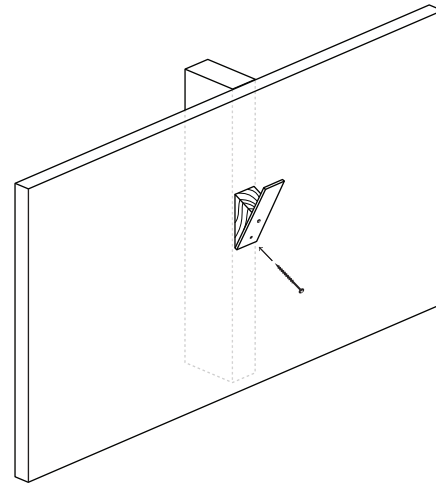
2

Level your most righteous hook, use a bullet level if needed. Mark the lower hole with a pencil or screw tip.



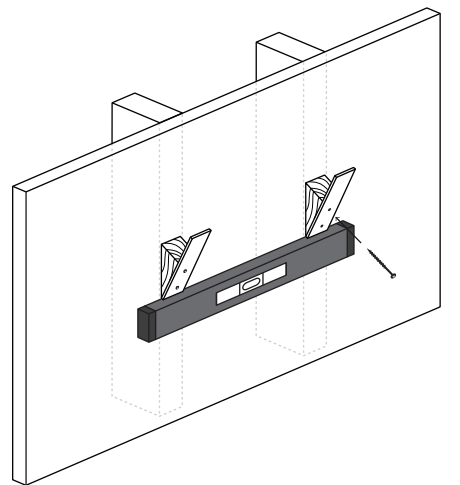
3

Install lower screw. You are done! When installing multiple hooks, see step 4 and 5, otherwise, skip to step 9.



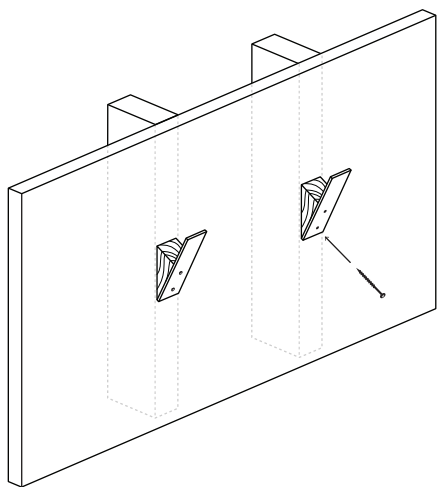
4

Position your next hook over a wall area backed by a stud or blocking. Use a level to align your hooks. **See Rad Tip #2 below.** Mark the upper hole with a screw tip or pencil. If no solid backing is found, see steps 6 through 9.



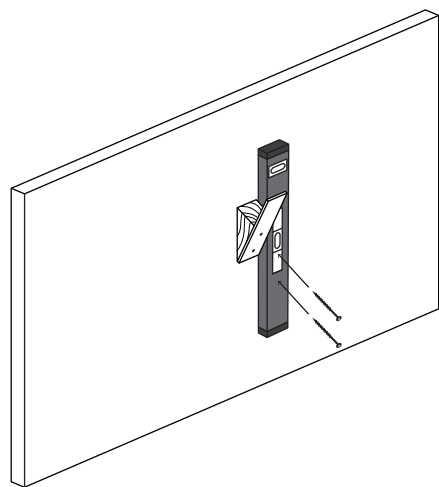
5

Install upper screw into marked location. Check for level, and install remaining screw into lower screw hole. Repeat for additional hooks. Skip to step 9.



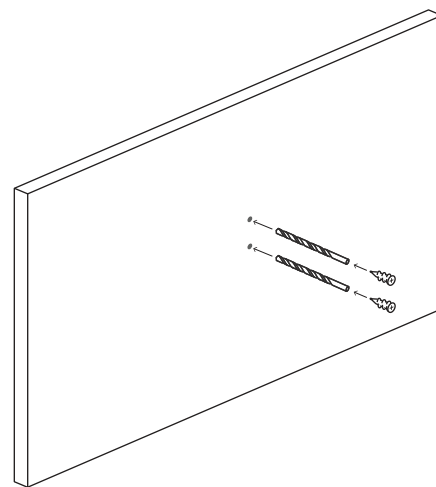
6

For installation into drywall only, Position hook in desired location. Level the hook, and mark both screw hole locations with a screw tip.



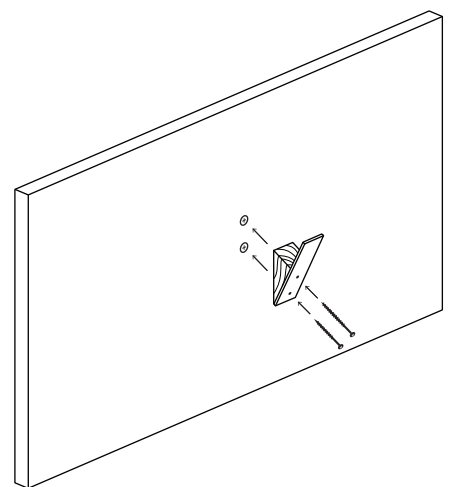
7

Drill a pilot hole for each marked location with a ¼" diameter drill bit. Install wall anchors into each hole. Be sure the lip of the anchor sits flush with the wall surface.



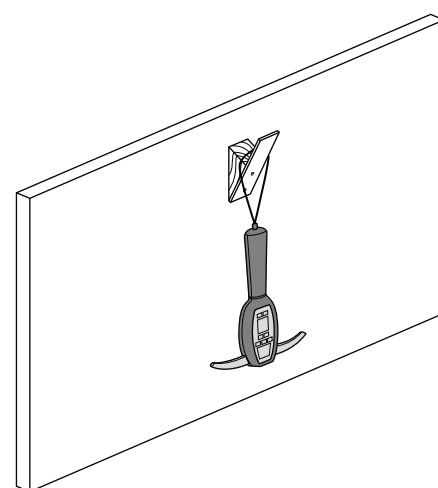
8

Install the hook making sure to use the longer screw for the upper location. **See Rad Tip #3 below.**



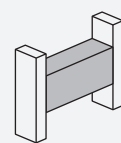
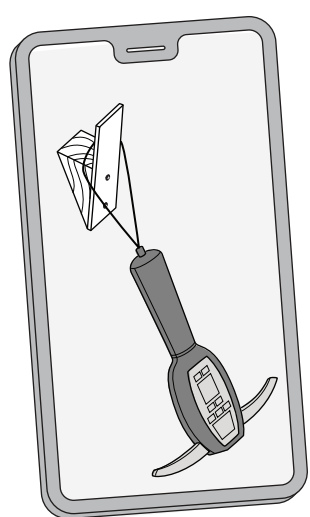
9

Stand back and relax, you did it! Give your cat a celebratory fist bump, if present. Hang your Ghostbusters™ replica TKE meter on hook and admire!



10

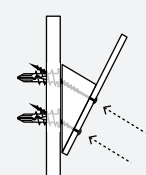
Post your sweet Shard Wall Hook selfie on Instagram. Warning: Rad prizes may apply to selfie of the week. @shelfology#radselfie



Rad Tip #1 Blocking refers to pieces of wood or other material that run between wall studs in order to provide support and attachment sites for your shelf or hook.



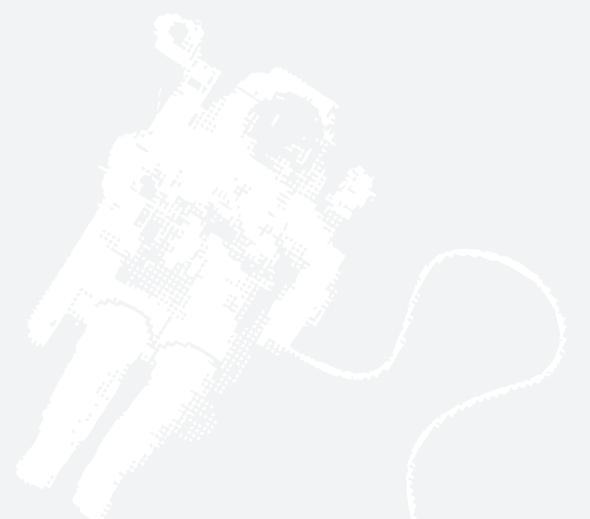
Rad Tip #2 You can turn a short level into a long one by laying it on a straight object like a yard stick. Just hold it against the wall with your bullet level on top and measure!



Rad Tip #3 The angle of the screws may not be parallel to the angle of the wall anchors. For maximum strength, install into studs or blocking.



****WARNING: Hooks must be correctly installed through drywall anchors, or directly into studs or wall blocking. Failure to do so may result in sagging hooks, falling objects, or serious injury.**





**WE TOTALLY
GET YOU**


Shelfology®