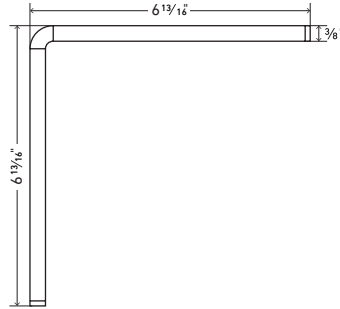
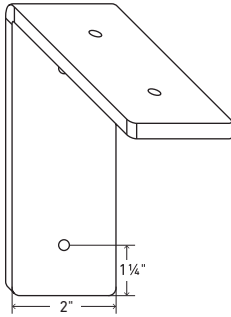


# LEIF

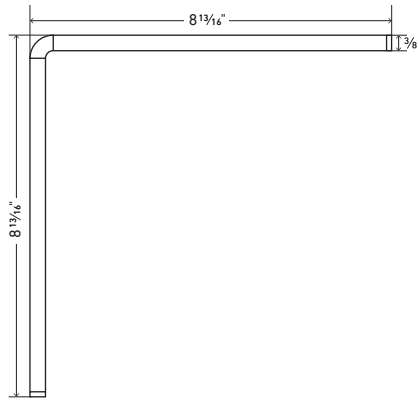
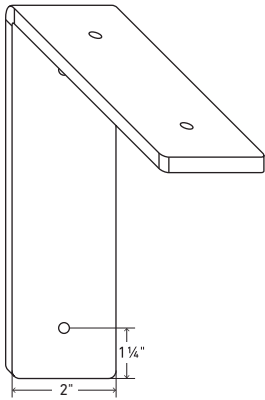
Load Capacity (lbs.)  
**20 Each\***

Shelf Depth Range (in.)  
**7-10\*\***

**A**



**B**



## About Leif

- 7" support & 7" leg or 9" support & 9" leg
- 3/8" thick bent steel
- 2" wide bracket
- Supports up to 20 lbs. per bracket when mounted correctly\*
- Countersunk screw holes are 3/16" outside diameter (OD)
- \*Recommended bracket spacing is 48" for shallower, lighter duty installations, 32" or less for deeper, heavier duty installations
- No more than 48" between brackets

**WARNING:** All brackets must be installed into studs or posts. Failure to do so may result in saggy shelves, falling objects, or even injury.

\*\* Drawings are representations only and not to scale.

© Shelfology 2018

Figure	Load Per Bracket	Bracket Length	Shelf Length <sup>†</sup>	Shelf Depth	Shelf Thickness
A	20 lbs	6 3/8" x 6 3/8"	12"-84"	7" - 9"	3/8"-2"
B	20 lbs	8 3/8" x 8 3/8"	12"-84"	9"-10"	3/8"-2"

CUSTOM BRACKETS ARE NO PROBLEM. EXPECT SAME INSANE RADNESS ACROSS THE BOARD. SERIOUSLY. CALL US. **949.244.1083**



Get More Hardware & Ready To Hang Radness  
 Order Online at [shelfology.com](http://shelfology.com) //  
 Email [hello@shelfology.com](mailto:hello@shelfology.com) //  
 Order Now **949.244.1083**