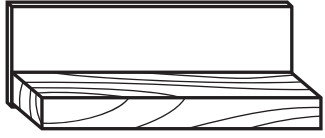








# Skaksel


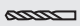
## System Installation Guide








### Tools You'll Need

- Drill 
- 1/4" Diameter Drill Bit 
- Measuring Tape 
- Level 
- Pencil 
- Phillips Screwdriver 

### OPTIONAL TOOLS

- 3/4" Countersink Bit 
- 3/16" Diameter Drill Bit 

### What's Included

- 1x Finished Shelf 
- 1x Shelf Bracket 
- 2x Set Screw 
- 1x Wall Fastener Set 
- 1x Wall Anchor Set 

Still need help? Speak with a Shelfologist today or see back of installation guide for further motivational support.

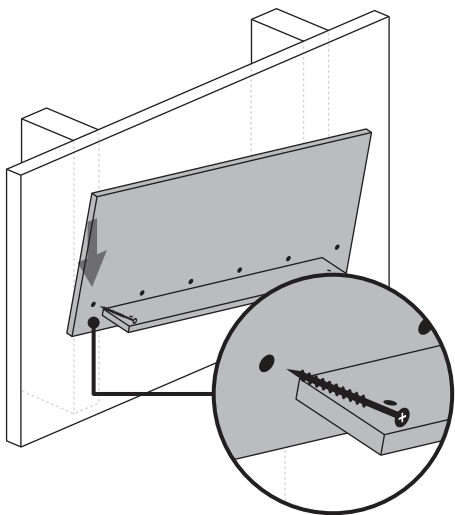
CALL A SHEFLOGIST  
949.244.1083

CHAT WITH A SHEFLOGIST  
hello@shelfology.com

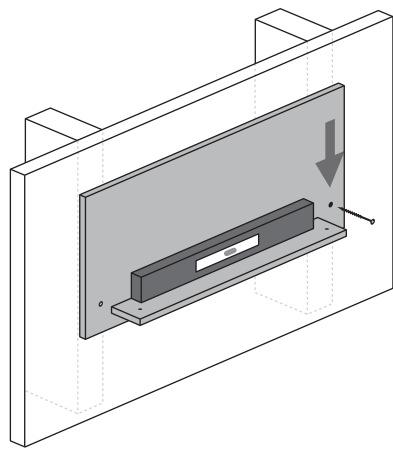
VISIT US ONLINE  
www.shelfology.com



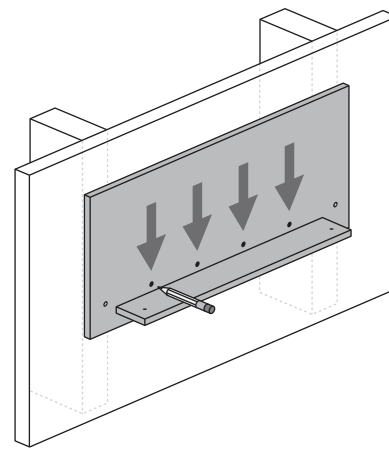
**1** Position bracket on the wall with the pre-drilled holes and blade along the bottom edge. Align screw holes with as many studs as possible. Use drill to screw in either far left or right hole.



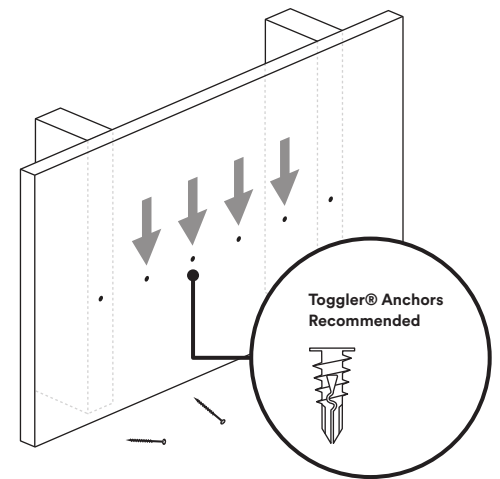
**2** Level bracket and set second screw in opposite end screw hole with your drill. If bracket screw holes miss an available stud see Rad Tips #1 and #2 below. If you've already installed blocking behind the length of the backbar, skip to Step 5.



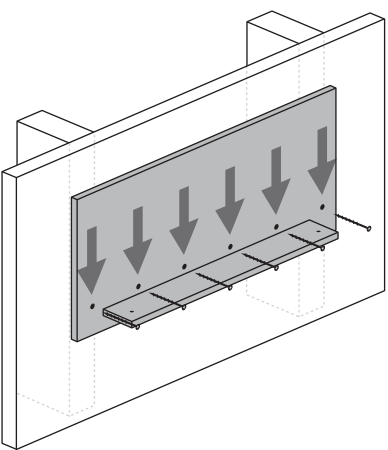
**3** While bracket is mounted to wall, mark every remaining empty screw hole with a pencil.



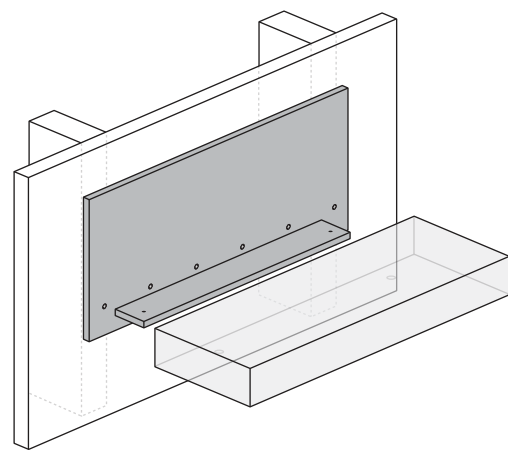
**4** Remove bracket from wall to install wall anchors in each marked location that is not on a wall stud. Pre-drill each wall anchor location with 1/4" drill bit to avoid breaking wall anchors.



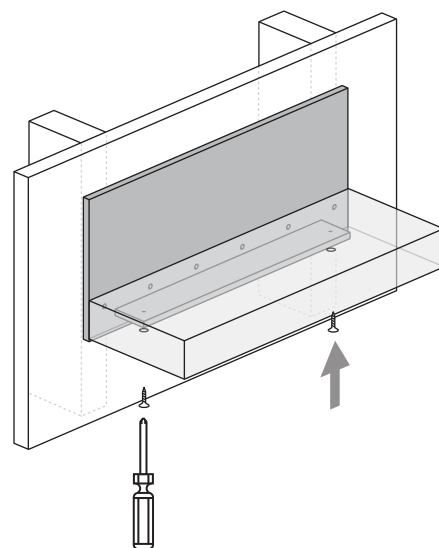
**5** Replace bracket, drill screw into each screw hole and confirm bracket is correctly secured to the wall.\* See Rad Tip #3 below.



**6** Slide wood shelf onto bracket.

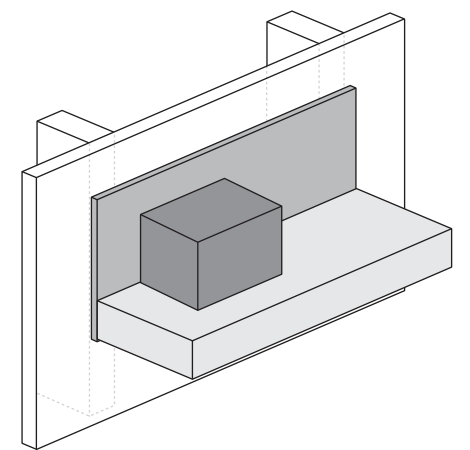


**7** Re-install set screws with phillips screwdriver. Do not use power drill for set screw installation.



**8** Gently place your D&D box collection on shelf.

High fives, you did it! Go share your rad shelf on Instagram: @shelfology #radshelfie



**Rad Tip #1** The more studs you drill into, the better. Utilize all studs and blocking available. If a stud is not utilized:

**1.1** Mark a new hole on bracket back bar on center of stud.

**1.2** Drill through marked hole location on bracket back bar with 3/16" bit.

**1.3** Partially drill the same hole with a 3/4" countersink bit.

**1.4** Insert and drill screw into stud.

**Rad Tip #2** Blocking refers to pieces of wood or other material that run between wall studs in order to provide support and attachment sites for the bracket backbar.

**Rad Tip #3** If your wall is not straight, use shims to ensure your bracket is installed straight across the wall face and square to the wall. The shelf and bracket will properly mate **only** if the bracket is straight and plum. Make it plum, yo!

**Rad Tip #4** Your shelf should be level from front edge to the wall. If the shelf is still sagging, use shims to adjust the level of the bracket. If you are still unable to fix the sag, call a Shelfologist! 949.244.1083



**\*WARNING:** Shelf hardware must be correctly installed into studs or wall blocking. Failure to do so may result in sagging shelves, falling objects, or serious injury.

## How did we do?

You'll get an email soon asking for a product review, and we'd be stoked if you oblige. You rock in advance!



RECLAIM  
YOUR  
WALLS



CERTIFIED



RADNESS

**YOU  
GOT  
THIS**

  
**Shelfology®**