

CSC028X_CSC030X

Specialists in One-pot Cooking

- SINCE 1970 -

CROCK·POT®

◆ THE ORIGINAL SLOW COOKER ◆



3.5L Slow Cooker

Instruction manual • Notice d'utilisation • Bedienungsanleitung •
Manual de instrucciones • Manual de instruções • Manuale di istruzioni
• Gebruiksaanwijzing • Bruksanvisning • Ohjeet • Betjeningsvejledning •
Instruksjonshåndbok • Instrukcja obsługi • Uživatelská příručka •
Návod na použitie • Használati utasítás • Manual de utilizare •
Ръководство за употреба • Priručnik za upotrebu • Εγχειρίδιο χρήσης •
ИНСТРУКЦИЯ ПО ЕКСПЛУАТАЦИИ • دليل التعليمات

English	3
Français/French	9
Deutsch/German	14
Español/Spanish	21
Português/Portuguese	26
Italiano/Italian	31
Nederlands/Dutch	36
Svenska/Swedish	43
Suomi/Finnish	50
Dansk/Danish	55
Norsk/Norwegian	60
Polski/Polish	65
Česky/Czech	72
Slovenčina/Slovakian	79
Magyar/Hungarian	84
Română/Romanian	91
български/Bulgarian	98
Hrvatski/Croatian	105
ΕΛΛΗΝΙΚΑ/Greek	110
РУССКИЙ/Russian	116
العربية / Arabic	122

ENGLISH

IMPORTANT SAFEGUARDS

READ CAREFULLY AND SAVE FOR FUTURE REFERENCE

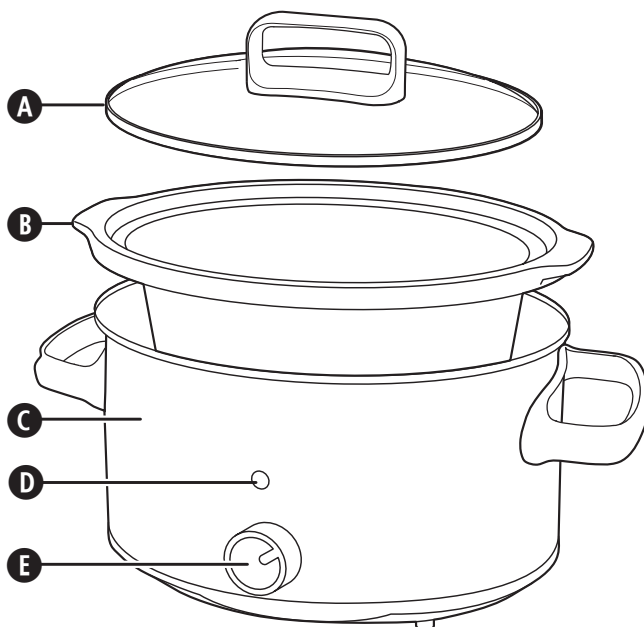
This appliance can be used by children aged from 8 years and above and persons with reduced physical, sensory or mental capabilities or lack of experience and knowledge if they have been given supervision or instruction concerning use of the appliance in a safe way and understand the hazards involved. Children shall not play with the appliance. Cleaning and user maintenance shall not be made by children unless they are older than 8 and supervised. Keep the appliance and its cord out of the reach of children aged less than 8 years.

 Parts of the appliance are liable to get hot during use.

If the supply cord is damaged, it must be replaced by the manufacturer, its service agent or similarly qualified persons in order to avoid a hazard.

Never use this appliance for anything other than its intended use. This appliance is for household use only. Do not use this appliance outdoors

- This appliance generates heat during use. Adequate precaution must be taken to prevent the risk of burns, scalds, fires or other damage to persons or property caused whilst in use or during cooling.
- Always ensure that hands are dry before handling the plug or switching on the appliance.
- Always use the appliance on a stable, secure, dry and level surface.
- This appliance must not be placed on or near any potentially hot surfaces (such as a gas or electric hob).
- Do not use the appliance if it has been dropped, if there are any visible signs of damage or if it is leaking.
- Ensure the appliance is switched off and unplugged from the supply socket after use and before cleaning.
- Always allow the appliance to cool before cleaning or storing.
- Never immerse the body of the appliance or power cord and plug in water or any other liquid.
- Never let the power cord hang over the edge of a worktop, touch hot surfaces or become knotted, trapped or pinched.
- Do not touch the external surfaces of the appliance during use as they may become very hot. Use oven gloves or a cloth when removing the lid. Beware of escaping steam when removing the lid.
- NEVER attempt to heat any food item directly inside the base unit. Always use the removable cooking bowl.
- Some surfaces are not designed to withstand the prolonged heat generated by certain appliances. Do not set the appliance onto a surface that may be damaged by heat. We recommend placing an insulating pad or trivet under the appliance to prevent possible damage to the surface.
- The slow cooker lid is made of tempered glass. Always inspect the lid for chips, cracks or any other damage. Do not use the glass lid if it is damaged, as it may shatter during use.



PARTS

- A** Lid
- B** Stoneware cooking bowl
- C** Heating base
- D** Power light
- E** Setting selector

PREPARING FOR USE

Before you use your Crock-Pot® slow cooker, remove all packaging components and wash the lid and stoneware with warm soapy water and dry thoroughly. Never immerse the heating base, power cord or plug in water or any other liquid.

IMPORTANT NOTES: Some countertop and table surfaces are not designed to withstand the prolonged heat generated by certain appliances. Do not set the heated unit on a heat sensitive surface. We recommend placing a hot pad or trivet under your slow cooker to prevent possible damage to the surface.

Please use caution when placing your stoneware on a ceramic or smooth glass-top stove, countertop, table, or other surface. Due to the nature of the stoneware, the rough bottom surface may scratch some surfaces if caution is not used. Always place protective padding under stoneware before setting on table or countertop.

During initial use of this appliance, some slight smoke or odour may be detected. This is normal with many heating appliances and will not recur after a few uses.

HOW TO USE YOUR SLOW COOKER

1. Place the stoneware into the heating base, add your ingredients into the stoneware and cover with the lid.
2. Plug in your slow cooker and turn the setting selector to the high (HI) or low (LO) cooking temperature.
NOTE: The warm setting (W) is ONLY for keeping food that has already been cooked warm. DO NOT cook on the warm setting. We do not recommend using the warm setting for more than 4 hours.
3. When cooking has finished, unplug your slow cooker and allow it to cool before cleaning.

USAGE NOTES

- If desired, you can manually switch to the warm setting (W) when your recipe has finished cooking.
- To avoid over or under-cooking, always fill the stoneware $\frac{1}{2}$ to $\frac{3}{4}$ full and conform to the recommended cooking times.
- Do not overfill the stoneware. To prevent spillover, do not fill the stoneware higher than $\frac{3}{4}$ full.
- Always cook with the lid on for the recommended time. Do not remove the lid during the first two hours of cooking to allow the heat to build up efficiently.
- Always wear oven gloves when handling the lid or stoneware.
- Unplug when cooking has finished and before cleaning.
- The removable stoneware and lid is ovenproof. Do not use removable stoneware on a gas burner, electric hob or under grill.

COOKING HINTS AND TIPS

- Trim fats and wipe meats well to remove residue. Brown in the cooking pot and drain well. Season with salt and pepper. Place the meat in the cooking pot on top of vegetables.
- For pot roasts and stews, pour liquid over the meat. Use no more liquid than specified in the recipe. More juices are retained in meat and vegetables during slow cooking than in conventional cooking.
- Most vegetables should be thinly sliced or placed near the sides or bottom of the stoneware cooking pot. In a slow cooker, meats generally cook faster than most vegetables.
- Use whole leaf herbs and spices for the best and fullest flavour from the slow cooking method.
- Because there is no direct heat at the bottom, always fill the stoneware cooking pot at least half full, to conform with recommended times. Small quantities can be prepared, but cooking times may be affected.
- A specific liquid called for in a recipe may be varied if an equal quantity is substituted. For example, substituting a can of soup for a can of tomatoes or 1 cup of beef or chicken stock for 1 cup of wine.
- Beans must be softened completely before combining with sugar and/or acidic foods. (NOTE: Sugar and acid have a hardening effect on beans and will prevent softening).

GUIDE TO ADAPTING RECIPES

This guide is designed to help you adapt your own and other recipes for your slow cooker. Many of the normal preparatory steps are unnecessary when using your slow cooker. In most cases all ingredients can go into your slow cooker at once and cook all day. General:

- Allow sufficient cooking time.
- Always cook with the lid on.
- For best results and to prevent food from drying or burning, always ensure an adequate amount of liquid is used in the recipe.
- It might appear that our recipes only have a small quantity of liquid in them but the slow cooking process differs from other cooking methods in that the added liquid in the recipe will almost double during the cooking time. So, if you are adapting a recipe for your slow cooker, please reduce the amount of liquid before cooking.

RECIPE TIME	COOK ON LOW	COOK ON HIGH
15 - 30 minutes	4 - 6 hours	$1\frac{1}{2}$ - 2 hours
30 - 45 minutes	6 - 10 hours	3 - 4 hours
50 minutes - 3 hours	8 - 10 hours	4 - 6 hours

PASTA AND RICE:

- For best results, use long grain rice unless the recipe states otherwise. If the rice is not cooked completely after the suggested time, add an extra 1 to 1½ cups of liquid per cup of cooked rice and continue cooking for 20 to 30 minutes.
- For best pasta results, first partially cook the pasta in boiling water until just tender. Add the pasta during the last 30 minutes of cooking time.

BEANS:

- Beans must be softened completely before combining with sugar and/or acidic foods. Sugar and acid have a hardening effect on beans and will prevent softening.
- Dried beans, especially red kidney beans, should be boiled before adding to a recipe.
- Fully cooked canned beans may be used as a substitute for dried beans.

VEGETABLES:

- Many vegetables benefit from slow cooking and are able to develop their full flavour. They tend not to overcook in your slow cooker as they might in your oven or on your hob.
- When cooking recipes with vegetables and meat, place vegetables into the slow cooker before meat. Vegetables usually cook more slowly than meat in the slow cooker and benefit from being partially immersed in the cooking liquid.
- Place vegetables near the bottom of the cooking bowl to help cooking.

HERBS AND SPICES:

- Fresh herbs add flavour and colour, but should be added at the end of the cooking cycle as the flavour will dissipate over long cook times.
- Ground and/or dried herbs and spices work well in slow cooking and may be added at the beginning.
- The flavour power of all herbs and spices can vary greatly depending on their particular strength and shelf life. Use herbs sparingly, taste at end of cook cycle and adjust seasonings just before serving.

MILK:

- Milk, cream, and sour cream break down during extended cooking. When possible, add during the last 15 to 30 minutes of cooking.
- Condensed soups may be substituted for milk and can cook for extended times.

MEATS:

- Trim fat, rinse well, and pat meat dry with paper towels.
- Browning meat beforehand allows fat to be drained off before slow cooking and also adds greater depth of flavour.
- Meat should be positioned so that it rests in the cooking bowl without touching the lid.
- For smaller or larger cuts of meat, alter the amount of vegetables or potatoes so that the bowl is always ½ to ¾ full.
- Cut meat into smaller pieces when cooking with precooked foods such as beans or fruit, or light vegetables such as mushrooms, diced onion, aubergine, or finely chopped vegetables. This enables all food to cook at the same rate.
- The size of the meat and the recommended cooking times are just estimates and can vary depending upon the specific cut, type, and bone structure. Lean meats such as chicken or pork tenderloin tend to cook faster than meats with more connective tissue and fat such as beef chuck or pork shoulder. Cooking meat on the bone versus boneless will increase the required cooking time.

FISH:

- Fish cooks quickly and should be added at the end of the cooking cycle during the last fifteen minutes to one hour of cooking.

CLEANING

ALWAYS unplug your slow cooker from the electrical outlet, and allow it to cool before cleaning.

CAUTION: Never immerse the heating base, power cord or plug in water or any other liquid.

The lid and stoneware can be washed in the dishwasher or with hot, soapy water. Do not use abrasive cleaning compounds or scouring pads. A cloth, sponge, or rubber spatula will usually remove residue. To remove water spots and other stains, use a non-abrasive cleaner or vinegar.

As with any fine ceramic, the stoneware and lid will not withstand sudden temperature changes. Do not wash the stoneware or lid with cold water when they are hot.

The outside of the heating base may be cleaned with a soft cloth and warm, soapy water. Wipe dry. Do not use abrasive cleaners.

No other servicing should be performed.

NOTE: After cleaning by hand allow the stoneware to air dry before storing.

FITTING A PLUG (U.K. & IRELAND ONLY)

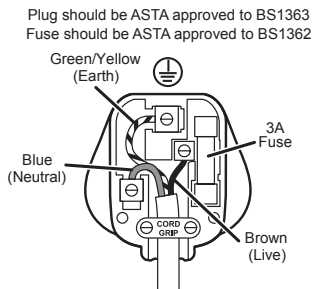
This appliance must be earthed.

If the plug is not suitable for the socket outlets in your home, it can be removed and replaced by a plug of the correct type.

If the fuse in a moulded plug needs to be changed, the fuse cover must be refitted. The appliance must not be used without the fuse cover fitted.

If the plug is unsuitable, it should be dismantled and removed from the supply cord and an appropriate plug fitted as detailed. If you remove the plug it must not be connected to a 13 amp socket and the plug must be disposed of immediately.

If the terminals in the plug are not marked or if you are unsure about the installation of the plug please contact a qualified electrician.



Ensure that the outer sheath of the cable is firmly held by the cord grip

GUARANTEE

Please keep your receipt as this will be required for any claims under this guarantee.

This appliance is guaranteed for 2 years after your purchase as described in this document.

During this guaranteed period, if in the unlikely event the appliance no longer functions due to a design or manufacturing fault, please take it back to the place of purchase, with your till receipt and a copy of this guarantee.

The rights and benefits under this guarantee are additional to your statutory rights, which are not affected by this guarantee. Only Jarden Consumer Solutions (Europe) Limited ("JCS (Europe)") has the right to change these terms.

JCS (Europe) undertakes within the guarantee period to repair or replace the appliance, or any part of appliance found to be not working properly free of charge provided that:

- you promptly notify the place of purchase or JCS (Europe) of the problem; and
- the appliance has not been altered in any way or subjected to damage, misuse, abuse, repair or alteration by a person other than a person authorised by JCS (Europe).

Faults that occur through, improper use, damage, abuse, use with incorrect voltage, acts of nature, events beyond the control of JCS (Europe), repair or alteration by a person other than a person authorised by JCS (Europe) or failure to follow instructions for use are not covered by this guarantee. Additionally, normal wear and tear, including, but not limited to, minor discoloration and scratches are not covered by this guarantee.

The rights under this guarantee shall only apply to the original purchaser and shall not extend to commercial or communal use.

If your appliance includes a country-specific guarantee or warranty insert please refer to the terms and conditions of such guarantee or warranty in place of this guarantee or contact your local authorized dealer for more information.

Waste electrical products should not be disposed of with household waste. Please recycle where facilities exist. E-mail us at enquiriesEurope@jardencs.com for further recycling and WEEE information.

Jarden Consumer Solutions (Europe) Limited
5400 Lakeside
Cheadle Royal Business Park
Cheadle
SK8 3GQ
UK



FRANÇAIS

IMPORTANT : CONSIGNES DE SECURITE

LISEZ AVEC ATTENTION ET CONSERVER POUR RÉFÉRENCE

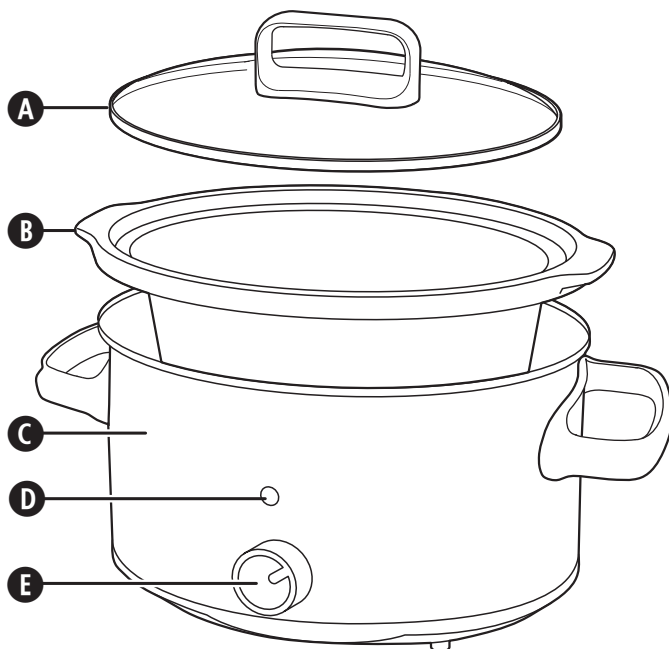
Cet appareil peut être utilisé par des enfants à partir de 8 ans, ainsi que par des personnes aux capacités physiques, sensorielles ou intellectuelles réduites, ou encore des personnes n'ayant aucune connaissance ou expérience du produit, à condition d'avoir été formés à son utilisation correcte et de comprendre les risques encourus. Les enfants ne doivent pas jouer avec l'appareil. Les opérations de nettoyage et d'entretien ne doivent pas être effectuées par des enfants, à moins qu'ils n'aient plus de 8 ans et soient surveillés par un adulte. Tenez l'appareil et son cordon hors de portée des enfants de moins de 8 ans.

 Certaines parties de cet appareil risquent de devenir très chaudes en cours d'utilisation.

En cas de détérioration du fil électrique ou de la prise d'alimentation, ils doivent être remplacés par le fabricant, son agent de service après-vente ou une personne qualifiée pour éviter tout danger.

N'utilisez ce produit qu'aux fins pour lesquelles il est prévu. Cet appareil est conçu exclusivement pour une utilisation domestique. N'utilisez pas cet appareil à l'extérieur.

- Cet appareil génère de la chaleur en cours d'utilisation. Prenez des précautions concernant la prévention des brûlures, des projections d'eau bouillante, des flammes ou tout autre dommage occasionné aux personnes ou aux biens qui peuvent se produire en touchant l'extérieur pendant les phases d'utilisation ou de refroidissement.
- Assurez-vous que vos mains sont sèches avant de manipuler la prise ou de mettre l'appareil en marche.
- Utilisez toujours l'appareil sur une surface stable, sûre, sèche et horizontale.
- Cet appareil ne doit pas être placé sur ou près de surfaces potentiellement chaudes (telles que des plaques de cuisson au gaz ou à l'électricité).
- N'utilisez pas l'appareil s'il a subi un choc, ou en cas de signes visibles de dommages ou en cas de fuite.
- Assurez-vous que l'appareil est arrêté et débranchez-le avant de le nettoyer.
- Attendez toujours que l'appareil se refroidisse avant de le nettoyer ou le ranger.
- Ne plongez pas, même partiellement, l'appareil ou son cordon dans du liquide.
- Ne laissez pas le cordon d'alimentation pendre dans le vide, toucher des surfaces chaudes ou s'emmêler, se bloquer ou se pincer.
- Ne touchez pas la surface extérieure de l'appareil en cours d'utilisation, car elle risque d'être brûlante. Utilisez un torchon ou des gants de cuisine pour soulever le couvercle. Faites attention à la vapeur qui se dégage lorsque vous soulevez le couvercle.
- Ne tentez JAMAIS de réchauffer un plat directement à l'intérieur de la cuve. Utilisez toujours la cocotte amovible.
- Certaines surfaces ne sont pas conçues pour supporter une exposition prolongée à la chaleur générée par certains appareils. Ne placez pas l'appareil sur une surface susceptible d'être endommagée par la chaleur. Il est recommandé de placer un support résistant à la chaleur ou un dessous-de-plat sous l'appareil pour éviter d'endommager la surface.
- Le couvercle de la mijoteuse est en verre trempé. Avant chaque utilisation, assurez-vous qu'il n'est ni ébréché, ni fissuré et qu'il est exempt de tout autre défaut. N'utilisez pas le couvercle en verre s'il est endommagé, car il risque de se briser en cours de cuisson.



PIÈCES

- A** Couvercle
- B** Cocotte en céramique
- C** Base chauffante
- D** Voyant d'alimentation
- E** Sélecteur de mode

À LIRE AVANT D'UTILISER L'APPAREIL

Avant d'utiliser la mijoteuse Crock-Pot®, retirez tout emballage et lavez le couvercle et la cocotte en céramique à l'eau chaude additionnée de produit vaisselle, puis séchez-les soigneusement. ATTENTION : ne plongez pas la base chauffante, son cordon d'alimentation ou sa prise dans de l'eau ou tout autre liquide.

REMARQUES IMPORTANTES : certaines surfaces de travail et de table ne sont pas conçues pour supporter une exposition prolongée à la chaleur générée par certains appareils. Ne placez pas l'appareil chaud sur une surface sensible à la chaleur. Il est recommandé de placer un support résistant à la chaleur ou un dessous-de-plat sous la mijoteuse pour éviter d'endommager la surface.

Faites attention lorsque vous placez la cocotte sur une plaque de cuisson, un plan de travail, une table ou toute autre surface en céramique ou en verre. Parce que le dessous de la cocotte n'est pas lisse, il risque de rayer certaines surfaces si vous ne prenez pas les précautions nécessaires. Veillez à placer un tissu matelassé sous la cocotte avant de la poser sur une table ou un plan de travail.

Lors de la première utilisation de la mijoteuse, une légère odeur ou un peu de fumée risque de se dégager de l'appareil. Ce phénomène se produit sur la plupart des appareils chauffants et disparaîtra après quelques utilisations.

UTILISATION DE LA MIJOTEUSE

1. Placez la cocotte sur la base chauffante, ajoutez les ingrédients dans la cocotte et posez le couvercle.
2. Branchez la mijoteuse et réglez le sélecteur de mode sur la température de cuisson élevée (H) ou basse (L).
REMARQUE : le réglage TENIR AU CHAUD (M) est RÉSERVÉ aux plats déjà cuits dans la mijoteuse. N'utilisez pas le réglage TENIR AU CHAUD pour cuire un plat. Nous vous recommandons de ne pas utiliser le réglage TENIR AU CHAUD pendant plus de 4 heures.
3. Une fois la cuisson terminée, débranchez la mijoteuse et laissez-la refroidir avant de la nettoyer.

CONSEILS D'UTILISATION

- Le cas échéant, vous pouvez activer manuellement le réglage TENIR AU CHAUD (M) lorsque la cuisson du plat est terminée.
- Pour éviter qu'un plat ne soit trop ou pas assez cuit, veillez à remplir la cocotte à la moitié ou aux $\frac{3}{4}$ et respectez le temps de cuisson indiqué.
- Ne remplissez pas trop la cocotte. Pour éviter les éclaboussures, veillez à ce que la cocotte ne soit pas plus de $\frac{3}{4}$ pleine.
- Mijotez toujours un plat en utilisant le couvercle pendant la durée de cuisson recommandée. Ne soulevez pas le couvercle pendant les deux premières heures de cuisson pour éviter toute perte de chaleur.
- Utilisez des gants de cuisine lorsque vous manipulez le couvercle ou la cocotte.
- Débranchez la mijoteuse lorsque la cuisson est terminée et avant de la nettoyer.
- La cocotte amovible et son couvercle passent au four. N'utilisez pas la cocotte amovible sur une cuisinière à gaz, une plaque de cuisson électrique ou sous le grill.

CONSEILS ET ASTUCES DE CUISSON

- Enlevez le gras de la viande et essuyez-la bien pour éliminer tout résidu. (Si la viande est grasse, faites-la revenir dans la cocotte et enlevez la graisse fondue.) Assaisonnez avec du sel et du poivre. Placez la viande dans la cocotte au-dessus des légumes.
- Si vous préparez un rôti ou un ragoût, versez le liquide sur la viande. Ne dépassez pas la quantité de liquide indiquée dans la recette. La viande et les légumes cuits dans la mijoteuse conservent plus de jus qu'avec une méthode de cuisson traditionnelle.
- Émincez finement la plupart des légumes ou placez-les sur les côtés ou au fond de la cocotte. Dans une mijoteuse, la viande cuit généralement plus vite que la plupart des légumes.
- Utilisez des fines herbes et des épices entières pour rehausser la saveur du plat préparé dans la mijoteuse.
- Parce que le fond de la cocotte ne chauffe pas directement, remplissez-la toujours à moitié au moins pour respecter le temps de cuisson recommandé. Vous pouvez préparer des quantités réduites, mais le temps de cuisson risque de varier.
- Vous pouvez remplacer un liquide déterminé par un autre liquide à condition de respecter la quantité recommandée. Il est ainsi possible de remplacer une boîte de tomates par une boîte de soupe ou un verre de vin par un verre de bouillon de bœuf ou de poulet.
- Veillez à ce que les haricots secs soient entièrement cuits avant de les mélanger à des aliments sucrés et/ou acides. (REMARQUE : le sucre et les aliments acides durcissent les haricots secs et les empêchent de cuire correctement.)

COMMENT ADAPTER DES RECETTES

Ce guide a pour mission de vous aider à adapter vos recettes traditionnelles à la cuisson à la mijoteuse. La plupart des étapes de préparation standard sont superflues lorsque vous utilisez la mijoteuse. Il suffit généralement de placer tous les ingrédients en même temps dans la cocotte et de les laisser mijoter toute la journée. Conseils généraux :

- Laissez mijoter le plat suffisamment longtemps.
- Placez le couvercle sur la cocotte.
- Pour de meilleurs résultats et pour éviter aux aliments de sécher ou brûler, vous assurer que la recette utilise suffisamment de liquide.

- Il peut sembler à première vue que nos recettes ne contiennent qu'une faible quantité de liquide, mais le processus de cuisson lente diffère des autres méthodes de cuisson en ce sens que le liquide indiqué dans la recette double quasiment pendant la cuisson. Si vous adaptez une recette traditionnelle pour cuire un plat dans la mijoteuse, veillez à réduire la quantité de liquide placé dans la cocotte.

DURÉE INDIQUÉE DANS LA RECETTE	CUISSON EN MODE LOW	CUISSON EN MODE HIGH
De 15 à 30 minutes	4 à 6 heures	1½ à 2 heures
De 30 à 45 minutes	6 à 10 heures	3 à 4 heures
50 minutes à 3 heures	8 à 10 heures	4 à 6 heures

LES PÂTES ET LE RIZ:

- Si une recette contient des ingrédients tels que des nouilles ou des pâtes, cuisez-les sur une plaque de cuisson traditionnelle jusqu'à ce qu'ils soient légèrement tendres et placez-les dans la mijoteuse pendant les 30 dernières minutes de cuisson.
- Si vous utilisez du riz, mélangez-le aux autres ingrédients et ajoutez ¼ de tasse de liquide par ¼ de tasse de riz. Le riz à grains longs donne de meilleurs résultats.

LES HARICOTS:

- Les haricots doivent être totalement attendris avant de les mélanger avec des aliments sucrés ou acides. Le sucre et l'acide ont un effet durcissant sur les haricots et les empêcheront de se ramollir.
- Les haricots secs, en particulier les haricots rouges, devraient être passés à l'eau bouillante avant de les ajouter au reste des ingrédients de la recette.
- Il est possible de remplacer les haricots secs avec des haricots cuits en boîte.

LES LÉGUMES:

- Beaucoup de légumes bénéficient d'une cuisson lente car ils révèlent alors toute leur saveur. Il est plus difficile de cuire excessivement des légumes dans une mijoteuse qu'il ne l'est dans un four ou sur une plaque de cuisson.
- Lorsque vous préparez un plat avec des légumes et de la viande, mettez les légumes dans la mijoteuse avant la viande. De manière générale, dans la mijoteuse, les légumes cuisent plus lentement que la viande.
- Placez les légumes au fond de la cocotte pour qu'ils cuisent correctement.

LES HERBES FRAICHES ET LES ÉPICES:

- Les herbes fraîches apportent arôme et couleur mais devraient être ajoutées à la fin de la cuisson car la saveur se dissipe pendant une longue cuisson.
- Des herbes en poudre et/ou séchées sont parfaites pour une mijoteuse et peuvent être ajoutées dès le début de la cuisson.
- Le pouvoir aromatique des herbes et des épices varient en fonction de leur force et de leur fraîcheur. Utilisez les herbes modérément, goûtez à la fin du cycle de cuisson et ajustez l'assaisonnement juste avant de servir.

LE LAIT:

- Le lait, la crème et la crème fraîche se désintègrent si la cuisson est longue. Si possible, ajouter ces ingrédients 15 à 30 minutes avant la fin de la cuisson.
- Vous pouvez remplacer le lait avec de la soupe condensée car elle résiste à une longue cuisson.

LES VIANDES:

- Enlever le gras, rincer et sécher la viande avec une serviette en papier.
- Faire revenir au préalable les morceaux de viande permet de jeter la graisse avant de les cuire dans la mijoteuse et intensifie la saveur du plat.
- Placez la viande de sorte qu'elle ne touche pas le couvercle de la cocotte.
- Si vous utilisez des morceaux de viande plus petits ou plus gros, modifiez en conséquence la proportion de légumes ou de pommes de terre de sorte que la cocotte soit toujours remplie à moitié ou aux trois quarts.
- La taille des morceaux de viande et les temps de cuisson recommandés ne sont que des estimations et peuvent varier en fonction du morceau, du type de viande et de la structure de l'os. Les viandes maigres comme par exemple le poulet ou le rôti de porc ont tendance à cuire plus vite que les viandes avec plus de tissus adipeux et de gras comme par exemple l'épaule de bœuf ou de porc. Faire cuire la viande sur l'os au lieu d'enlever l'os augmentera le temps de cuisson.

- Couper la viande en petits morceaux lorsque vous cuisez avec des aliments précuits comme par exemple des haricots ou des fruits, ou des légumes légers tels que champignons, oignons coupés en rondelles, aubergine ou des légumes en julienne. Ceci permet à tous les ingrédients d'être cuits en même temps.

LE POISSON:

- Le poisson cuit rapidement et il convient de l'ajouter entre quinze minutes et une heure avant la fin de la cuisson.

NETTOYAGE

Débranchez SYSTÉMATIQUEMENT la mijoteuse et laissez-la refroidir avant de la nettoyer.

ATTENTION : ne plongez pas la base chauffante, son cordon d'alimentation ou sa prise dans de l'eau ou tout autre liquide.

Lavez le couvercle et la cocotte en céramique au lave-vaisselle ou à l'eau chaude additionnée de produit vaisselle.

N'utilisez pas de détergents abrasifs ou d'éponges à récurer. Un chiffon, une éponge ou une spatule en caoutchouc permettent généralement d'éliminer les résidus. Pour enlever toute marque d'eau et autre tache, utilisez un produit non abrasif ou du vinaigre.

Comme toute céramique de qualité, la cocotte et le couvercle ne supportent pas les changements soudains de température. Ne les lavez pas à l'eau froide s'ils sont encore chauds.

Nettoyez l'extérieur de la base chauffante à l'aide d'un chiffon doux trempé dans de l'eau chaude additionnée de produit vaisselle. Essayez-la soigneusement. N'utilisez pas de détergent abrasif.

N'effectuez aucune autre opération d'entretien.

REMARQUE : si vous lavez la cocotte à la main, laissez-la sécher à l'air libre avant de la ranger.

GARANTIE

Veillez conserver votre ticket de caisse, il vous sera demandé lors de toute réclamation sous garantie. Cet appareil est garanti 2 ans à partir de la date d'achat, comme indiqué dans le présent document.

Dans le cas peu probable d'une panne résultant d'un défaut de conception ou de fabrication au cours de la période de garantie, veuillez rapporter l'appareil au magasin où vous l'avez acheté avec votre ticket de caisse et une copie de cette garantie.

Vos droits statutaires ne sont aucunement affectés par cette garantie. Seul Jarden Consumer Solutions (Europe) Limited (« JCS (Europe) ») peut modifier ces dispositions.

JCS (Europe) s'engage à réparer ou remplacer gratuitement, pendant la période de garantie, toute pièce de l'appareil qui se révèle défectueuse sous réserve que :

- vous avertissiez rapidement le magasin ou JCS (Europe) du problème ; et
- l'appareil n'ait pas été altéré de quelque manière que ce soit ou endommagé, utilisé incorrectement ou abusivement, ou bien réparé ou altéré par une personne autre qu'une personne agréée par JCS (Europe) Products Europe.

Cette garantie ne couvre pas les défauts liés à une utilisation incorrecte, un dommage, une utilisation abusive, l'emploi d'une tension incorrecte, les catastrophes naturelles, les événements hors du contrôle de JCS (Europe), une réparation ou une altération par une personne autre qu'une personne agréée par JCS (Europe) ou le non-respect des instructions d'utilisation. De plus, cette garantie ne couvre pas non plus l'usure normale, y compris, mais sans limitation, les petites décolorations et éraflures.

Cette garantie s'applique uniquement à l'acheteur d'origine et elle n'étend aucun droit à toute personne acquérant l'appareil pour un usage commercial ou communal.

Si votre appareil est accompagné d'une garantie locale ou d'une carte de garantie, veuillez en consulter les dispositions et conditions en vigueur, ou vous adresser à votre revendeur local pour en savoir plus.

Les déchets d'équipement électrique ne doivent pas être mélangés aux ordures ménagères. Veuillez recycler si vous en avez la possibilité. Envoyez-nous un email à enquiriesEurope@jardencs.com pour plus d'informations sur le recyclage et la directive WEEE.

Jarden Consumer Solutions (Europe) Limited
5400 Lakeside
Cheadle Royal Business Park
Cheadle
SK8 3GQ
United Kingdom



DEUTSCH

WICHTIGE SICHERHEITSHINWEISE

LESEN SIE DIESE HINWEISE SORGFÄLTIG DURCH UND VERWAHREN SIE SIE GUT

Dieses Gerät kann von Kindern ab 8 Jahren und Personen mit eingeschränkten körperlichen, sensorischen oder geistigen Fähigkeiten oder mangelnder Erfahrung und Wissen verwendet werden, wenn sie entsprechend in die sichere Anwendung eingewiesen wurden und die damit verbundenen Gefahren verstehen. Kinder dürfen das Gerät nicht als Spielzeug verwenden. Die Reinigung und Wartung des Geräts darf von Kindern ab 8 Jahren nur unter Aufsicht durchgeführt werden.

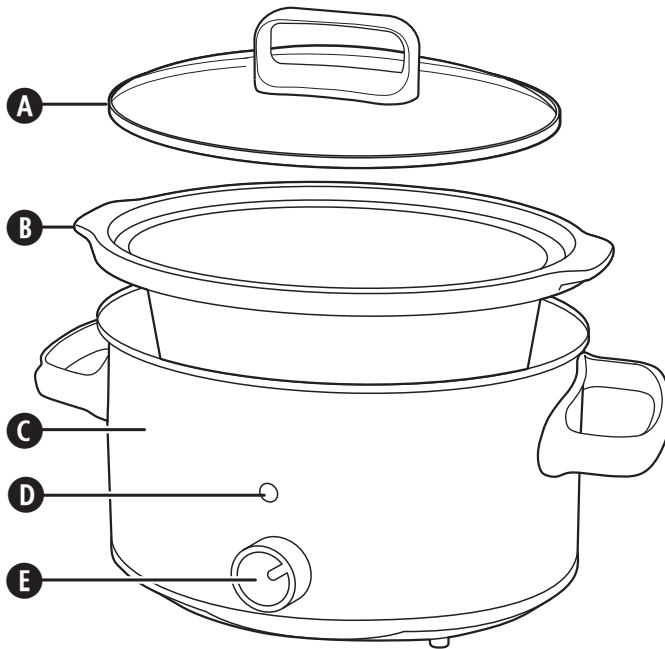
Achten Sie darauf, dass sich das Gerät und das dazugehörige Kabel außerhalb der Reichweite von Kindern unter 8 Jahren befinden.

⚠ Teile des Geräts können während des Betriebs heiß werden.

Beschädigte Stromkabel müssen durch den Hersteller, den Kundendienst oder andere qualifizierte Personen ersetzt werden, um Gefahren auszuschließen.

Setzen Sie das Gerät nie für Zwecke ein, für die es nicht bestimmt ist. Das Gerät wurde für die Verwendung in Privathaushalten entwickelt. Verwenden Sie das Gerät nicht im Freien.

- Dieses Geräts erzeugt während des Betriebs Hitze. Treffen Sie angemessene Vorsichtsmaßnahmen, um Verbrennungen, Verbrühungen, Brände und andere Schäden an Personen und Eigentum, die durch die Berührung während des Betriebs oder der Abkühlphase entstehen können, zu vermeiden.
- Stellen Sie immer sicher, dass Ihre Hände trocken sind, bevor Sie den Stecker berühren oder das Gerät einschalten.
- Verwenden Sie das Gerät nur auf einer stabilen, sicheren, trockenen und ebenen Unterlage.
- Stellen Sie das Gerät nicht in die Nähe von oder auf Oberflächen, die heiß werden können (z. B. einen Herd oder Kochfelder).
- Verwenden Sie das Gerät nicht, wenn es heruntergefallen ist, Beschädigungen sichtbar sind oder das Gerät leckt.
- Stellen Sie vor dem Reinigen sicher, dass das Gerät ausgestellt ist und trennen Sie es von der Stromzufuhr.
- Das Gerät kann so vor der Reinigung oder Lagerung abkühlen.
- Tauchen Sie Teile des Geräts oder Stromkabels nicht ins Wasser oder andere Flüssigkeiten.
- Achten Sie darauf, dass das Stromkabel nicht über den Rand der Arbeitsfläche hängt, heiße Oberflächen berührt, verknotet, eingeklemmt wird oder sich verfängt.
- Berühren Sie die Außenwände des Geräts während des Gebrauchs nicht, da diese sehr heiß werden. Verwenden Sie beim Öffnen des Deckels einen Topflappen oder -handschuh. Achten Sie beim Öffnen des Deckels auf entweichenden heißen Dampf.
- Versuchen Sie NICHT, Lebensmittel direkt im Außentopf zu erhitzen. Verwenden Sie immer die abnehmbare Kochschüssel.
- Oberflächen können Schaden nehmen, wenn sie längere Zeit Hitze ausgesetzt sind. Stellen Sie das Gerät nicht auf Oberflächen, die durch Hitze beschädigt werden können. Wir empfehlen, eine isolierende Unterlage oder einen Untersetzer unter das Gerät zu legen, um mögliche Schäden zu vermeiden.
- Der Deckel des Schongarers ist aus Hartglas gefertigt. Untersuchen Sie den Deckel immer auf Absplinterungen, Risse und andere Schäden. Benutzen Sie den Glasdeckel nicht, wenn er beschädigt ist, da er sonst während der Verwendung zerspringen kann.



BESTANDTEILE

- A** Deckel
- B** Steinguttopf
- C** Heiztopf
- D** Betriebsleuchte
- E** Wahlschalter

VOR DEM GEBRAUCH

Entfernen Sie vor dem ersten Gebrauch des Crock-Pot® Schongarer die Verpackung vollständig und spülen Sie den Deckel und den Steinguttopf mit warmem Seifenwasser und trocknen Sie diese gründlich ab. **VORSICHT:** Tauchen Sie den Heiztopf, das Stromkabel oder den Stecker nicht in Wasser oder andere Flüssigkeiten.

WICHTIGE HINWEISE: Manche Arbeits- und Tischflächen können Schaden nehmen, wenn sie längerer Zeit Hitze ausgesetzt sind. Stellen Sie das heiße Gerät nicht auf eine hitzeempfindliche Ablage. Wir empfehlen, eine isolierende Unterlage oder einen Untersetzer unter den Schongarer zu legen, um mögliche Schäden zu vermeiden.

Bitte setzen Sie den Steinguttopf vorsichtig auf Keramik- oder Glaskochfeldern, Arbeitsflächen, Tischen oder andere Oberflächen ab. Bei unvorsichtigem Umgang kann die raue Unterseite des Steinguttopfes auf bestimmten Oberflächen Kratzer verursachen. Schützen Sie diese Oberflächen, indem Sie eine weiche Unterlage unter den Topf legen.

Beim ersten Gebrauch des Geräts ist möglicherweise eine leichte Rauch- oder Geruchsentwicklung festzustellen. Dies geschieht nur die ersten Male und ist bei Geräten, die erhitzt werden, üblich.

NUTZUNG DES SCHONGARERS

1. Stellen Sie den Steinguttopf in den Heiztopf, platzieren Sie die Zutaten im Topf und decken Sie diesen mit dem Deckel ab.
2. Schließen Sie den Schongarer an den Strom an und stellen Sie den Wahlschalter auf die Gartemperatur „Hoch“ (☀️) oder „Niedrig“ (☁️).
HINWEIS: Die Warmhalteinstellung (🔥) ist NUR für Speisen gedacht, die bereits erhitzt wurden. Kochen Sie KEINE Speisen mit der Einstellung (🔥). Die Einstellung (🔥) sollte nicht länger als vier Stunden verwendet werden.
3. Ist der Kochvorgang abgeschlossen, trennen Sie den Schongarer vom Netz und lassen Sie ihn abkühlen, bevor Sie ihn reinigen.

ANWENDUNGSTIPPS

- Wenn gewünscht, können Sie manuell in den Warmhaltemodus wechseln, wenn die Speisen gar sind.
- Um ein zu langes oder kurzes Kochen der Speisen zu vermeiden, füllen Sie den Steinguttopf immer zur Hälfte oder bis zu Dreiviertel und passen Sie die empfohlene Garzeit entsprechend an.
- Achten Sie darauf, den Steinguttopf nicht zu überfüllen. Um ein Überkochen zu vermeiden, füllen Sie den Steinguttopf nur zu ¾.
- Lassen Sie den Deckel immer geschlossen und befolgen Sie die empfohlene Gardauer. Nehmen Sie den Deckel während der ersten zwei Stunden des Garvorgangs nicht ab, damit ausreichend Hitze entwickelt wird.
- Tragen Sie immer Topfhandschuhe, wenn Sie den Deckel oder Steinguttopf berühren.
- Trennen Sie den Schongarer nach Beendigung des Kochvorgangs und vor dem Reinigen immer vom Netz.
- Der abnehmbare Steinguttopf und der Deckel sind ofenfest. Verwenden Sie den abnehmbaren Steinguttopf nicht auf Gas- oder Elektrokochfeldern oder einem Grill.

KOCHTIPPS

- Schneiden Sie Fettränder von Fleischstücken ab und tupfen Sie diese trocken. (Bräunen Sie fettthaltige Fleischstücke in einem Kochtopf an und lassen Sie das Fett abtropfen.) Würzen Sie das Fleisch mit Salz und Pfeffer. Legen Sie die Fleischstücke im Steinguttopf auf das Gemüse.
- Schütten Sie für Schmorgerichte und Eintöpfe Wasser über das Fleisch. Verwenden Sie nur soviel Flüssigkeit wie im Rezept angegeben. Beim Schongaren verdampft weniger der in Fleisch und Gemüse enthaltenen Flüssigkeit als beim konventionellen Kochen.
- Gemüse sollte in der Regel dünn geschnitten werden oder auf dem Boden oder an den Rändern des Steinguttopfes platziert werden. Beim Schongaren wird Fleisch gewöhnlich schneller gegart als die meisten Gemüse.
- Verwenden Sie ganzblättrige Kräuter und Gewürze, um den besten Geschmack zu erzielen.
- Da an der Unterseite des Topfes keine direkte Hitze entwickelt wird, befüllen Sie den Steinguttopf immer bis mindestens zur Hälfte, um die empfohlenen Garzeiten einzuhalten. Es können auch kleinere Mengen gegart werden, die Garzeiten hierfür können jedoch abweichen.
- Verlangt das Rezept nach einer bestimmten Menge einer Flüssigkeit, kann diese durch dieselbe Menge einer anderen Flüssigkeit ersetzt werden. Ein Büchse Suppe kann z. B. durch eine Büchse Tomaten oder eine Tasse Rinder- oder Hühnerfond durch eine Tasse Wein ersetzt werden.
- Bohnen müssen vollständig weich gekocht sein, bevor Zucker und/oder säurehaltige Lebensmittel hinzugefügt werden können. (HINWEIS: Durch Beigabe von Zucker und Säure verhärten Bohnen und können nicht mehr weich gekocht werden.)

HINWEISE FÜR DIE ANPASSUNG VON REZEPTEN

Diese Hinweise sollen Ihnen dabei helfen, eigene und andere Rezepte für den Schongarer anzupassen. Viele der gewöhnlich notwendigen Vorbereitungsschritte entfallen beim Schongarer. In den meisten Fällen können die Zutaten gleichzeitig im Schongarer platziert werden und den ganzen Tag kochen. Allgemeines:

- Nehmen Sie sich ausreichend Zeit für den Kochvorgang.
- Lassen Sie den Deckel immer auf dem Schongarer.
- Für das beste Ergebnis und um zu verhindern, dass Nahrungsmittel austrocknen oder anbrennen, vergewissern Sie sich stets, dass eine angemessene Menge Flüssigkeit für das Rezept verwendet wird.

- Die Flüssigkeitsangaben in den Rezepten erscheinen möglicherweise gering, der langsame Garprozess unterscheidet sich jedoch von anderen Garprozessen. Die hinzugefügte Flüssigkeit verdoppelt sich während des Schongarprozesses nahezu. Wenn Sie ein Rezept für den Schongarer anpassen, reduzieren Sie bitte die Menge der hinzuzufügenden Flüssigkeit.

GARZEIT NACH REZEPT	GARZEIT AUF LOW	GARZEIT AUF HIGH
15 bis 30 Minuten	4 bis 6 Stunden	1½ bis 2 Stunden
30 bis 45 Minuten	6 bis 10 Stunden	3 bis 4 Stunden
50 Minuten bis 3 Stunden	8 bis 10 Stunden	4 bis 6 Stunden

TEIGWAREN UND REIS:

- Müssen für ein Rezept Nudeln hinzugefügt werden, kochen Sie diese in einem herkömmlichen Topf leicht weich und fügen Sie sie dann während der letzten Minuten des Garvorgangs zum Schongarer hinzu. Bei Rezepten mit Reis rühren Sie den Reis unter die anderen Zutaten und fügen für jede 1/4 Tasse Reis eine 1/4 Tasse Wasser hinzu. Langkörniger Reis führt zu besseren Ergebnissen.

BOHNEN:

- Bohnen müssen ehe sie mit Zucker und/oder säurehaltigen Nahrungsmitteln vermergt werden, erst völlig weich sein. Zucker und Säure haben auf Bohnen eine verfestigende Wirkung und verhindern das Weichwerden.
- Trockenbohnen, insbesondere Feuerbohnen, sollten ehe Sie sie dem Rezept hinzufügen erst gekocht werden.
- Völlig gekochte Dosenbohnen können anstelle von Trockenbohnen verwendet werden.

GEMÜSE:

- Viele Gemüsearten eignen sich besonders für ein langsames Garen und entwickeln dadurch erst ihren vollen Geschmack. Im Gegensatz zum Ofen oder Herdplatten wird Gemüse in Ihrem Slow Cooker nicht so verkocht.
- Bei einem Rezept von Gemüse und Fleisch geben Sie das Gemüse vor dem Fleisch in den Slow Cooker. Gemüse kocht gewöhnlich langsamer als Fleisch in dem Slow Cooker.
- Beim Befüllen der Kochschüssel legen Sie Gemüse in den unteren Bereich der Schüssel, um den Garvorgang zu unterstützen.

KRÄUTER UND GEWÜRZE:

- Frische Kräuter geben dem Gericht einen guten Geschmack und verleihen ihm Farbe, sollten aber erst gegen Ende des Kochzyklus hinzugefügt werden, da der Geschmack bei längeren Kochzeiten verfliegt.
- Gemahlene und/oder getrocknete Kräuter und Gewürze eignen sich besonders für ein langsames Garen und können gleich zu Anfang hinzugefügt werden.
- Die Geschmacksintensität aller Kräuter und Gewürze kann je nach ihrer speziellen Intensität und Haltbarkeit sehr unterschiedlich sein. Verwenden Sie Kräuter nur sparsam, kosten Sie nach Ende des Kochzyklus und würzen Sie vor dem Servieren eventuell nach.

MILCH:

- Milch, Sahne und saure Sahne zersetzen sich bei längeren Kochzeiten. Wenn möglich erst in den letzten 15 bis 30 Minuten der Kochzeit hinzufügen.
- Kondenssuppen können anstelle von Milch verwendet werden und über längere Zeiten gekocht werden.

FLEISCH:

- Fett abschneiden, gut abspülen und das Fleisch mit einem Papiertuch trocken tupfen.
- Braten Sie Fleisch kurz an, um das enthaltene Fett vor dem Schongaren zu entfernen. So wird auch der Geschmack intensiviert.
- Legen Sie Fleisch so ein, dass es den Glasdeckel nicht berührt.
- Passen Sie die Gemüsemenge der Menge und Größe der Fleischstücke an, so dass die Kochschüssel immer halb bis dreiviertel gefüllt ist.
- Die Fleischmenge und die empfohlenen Kochzeiten sind nur Schätzungen und können je nach Zuschnitt, Art und Knochenstruktur unterschiedlich sein. Mageres Fleisch wie Huhn oder Schweinslende kochen normalerweise schneller als Fleisch mit Bindegewebe und fettiges Fleisch wie Rindernacken oder Schweineschulter. Garen von Fleisch mit Knochen dauert im Gegensatz zu knochenlosem Fleisch länger.

- Schneiden Sie das Fleisch in kleinere Stücke, wenn Sie es mit vorgekochten Nahrungsmitteln wie Bohnen oder Früchten kochen oder mit delikaten Sachen wie Pilzen, gehackten Zwiebeln, Aubergine oder fein geschnittenem Gemüse. Auf diese Weise garen alle Nahrungsmittel zur gleichen Zeit.

FISCH:

- Da Fisch schnell gar wird, sollte er gegen Ende der Zubereitungszeit, also in den letzten fünfzehn bis sechzig Minuten, zugegeben werden.

REZEPTE

Wurzelgemüsesuppe 4 Personen

150 g Karotten, geschält und in etwa 5 cm große Stücke geschnitten
 150 g Sellerie, geschält und in etwa 5 cm große Stücke geschnitten
 150 g Lauch, gekürzt und gewaschen und in etwa 5 cm große Stücke geschnitten
 300 g Steckrübe, geschält und in etwa 5 cm große Stücke geschnitten
 1 kleine Zwiebel, gewürfelt
 800 ml Gemüsebrühe guter Qualität
 1 Lorbeerblatt
 Gewürze

1. Zutaten in die Steingutschüssel füllen und den Deckel aufsetzen.
2. Zutaten auf Stufe Low für 6 - 7 Stunden oder auf Stufe High für 4 - 5 Stunden garen.
3. Suppe etwas abkühlen lassen und das Lorbeerblatt und entfernen und die Suppe in einen Mixgefäß schütten. Die Suppe pürieren, bis sie die gewünschte Konsistenz erreicht hat. Die Suppe kann auch in einen geeigneten Behälter gefüllt und manuell püriert werden.
4. Suppe mit ein wenig Crème fraiche und etwas Schnittlauch dekoriert servieren.

Im Topf geschmortes Roastbeef 4 - 5 Personen

750 g magere Rinderbrust
 15 ml Pflanzenöl
 1 rote Zwiebel, geschält und gehackt
 1 Karotte, geschält und gehackt
 1 Stange Sellerie, geschält und gehackt
 1 halber, kleiner Butternusskürbis, geschält, entkernt und grob gehackt
 200 ml gute, heiße Rinderbrühe
 2 Lorbeerblätter
 5 g frisch gehackte Thymianblätter

1. Ein einer geeigneten Pfanne erhitzen bis alle Zutaten heiß sind. Öl hinzufügen und die Rinderbrust anbraten, bis sie gut gebräunt ist.
2. Das vorbereitete Gemüse in den Topf legen. Die Gemüsestücke sollten ungefähr die gleiche Größe haben, um die gleichmäßige Garung sicherzustellen.
3. Die angebräunte Rinderbrust auf das Gemüse legen.
4. Die Rinderbrühe über die Zutaten im Steinguttopf schütten und die Lorbeerblätter und den Thymian hinzufügen. Den Deckel schließen.
5. Zutaten auf Stufe Low für 7 - 8 Stunden oder auf Stufe High für 5 - 6 Stunden garen.
6. Die Rinderbrust aus dem Topf nehmen und in dicke Scheiben geschnitten mit cremigem Kartoffelpüree und schongegartem Gemüse servieren.

Geschmorte mediterrane Lammkeule 4 Personen

15 ml Pflanzenöl
4 kleine Lammkeulen
1 große rote Zwiebel, grob gewürfelt
1 mittelgroße Karotte, geschält und gehackt
2 Knoblauchzehen, gehackt
1 Büchse gehackte Tomaten à 400 g
1 große Aubergine, grob gehackt
15 g grob gehackter frischer Oregano oder 10 g getrockneter Oregano
250 ml Rotwein
30 g Tomatenpüree

1. Pflanzenöl in einer geeigneten Pfanne erhitzen und die Lammkeulen von allen Seiten kurz anbraten.
2. Die Lammkeulen in den Steinguttopf legen, die restlichen Zutaten hinzufügen und alles gut durchrühren.
3. Den Deckel aufsetzen und die Zutaten auf Stufe Low für 8 - 9 Stunden oder auf Stufe High für 6 - 7 Stunden garen.
4. Die Soße ggf. mit etwas in Wasser gelöster Stärke andicken. Mit geröstetem Gemüse und Couscous servieren.

Apfel-Crumble mit Nüssen 4 Personen

150 g Mehl
50 g Haferflocken
100 g hellbrauner Zucker
50 g gemahlener Zimt
2 g gemahlene Muskatnuss
150 g Butter, gewürfelt
125 g Walnüsse, gehackt
50 g weißer Zucker oder nach Geschmack
20 g Stärkemehl
3 g gemahlener Ingwer
5 g gemahlener Zimt
800 g Äpfel, geschält, entkernt und geschnitten
30 ml Zitronensaft

1. Mehl, braunen Zucker, Haferflocken und Gewürze in einer großen Schüssel vermengen. Die gewürfelte Butter hinzufügen und mit den Fingerspitzen in die Mischung einarbeiten, bis sich Streusel bilden. Die gehackten Walnüsse dazugeben, vermengen und zur Seite stellen.
2. Weißen Zucker bis auf einen Esslöffel mit dem Zimt und der Muskatnuss in einer kleinen Schüssel vermengen.
3. Die vorbereiteten Apfelstücke in mehreren Lagen in den Steinguttopf legen und dabei jede Lage mit der Zucker-Gewürz-Mischung bestreuen.
4. Den beiseite gesetzten Esslöffel Zucker mit Stärkemehl und Zitronensaft vermengen und über die Apfellagen gießen.
5. Die Apfellagen mit der Streuselmischung bedecken, den Glasdeckel aufsetzen und das Ganze auf Stufe Low für 4 - 5 Stunden oder auf Stufe High für 2 - 3 Stunden garen, bis die Apfelscheiben weich sind.
6. Am Ende der Garzeit den Deckel etwas öffnen und 30 Minuten warten, bis die Streuselschicht fest wird. Mit Vanilleeis oder heißer Vanillesoße servieren.

REINIGUNG

Trennen Sie den Schongarer vor dem Reinigen IMMER vom Netz und lassen Sie ihn abkühlen.

VORSICHT: Tauchen Sie den Heiztopf, das Stromkabel oder den Stecker nicht in Wasser oder andere Flüssigkeiten.

Der Deckel und der Steinguttopf können in der Spülmaschine oder mit heißem Seifenwasser gereinigt werden. Verwenden Sie keine scheuernden Reinigungsmittel oder Putzlappen. Mit einem Tuch, Schwamm oder Gummispatel lassen sich Speisereste gewöhnlich gut entfernen. Wasserflecken oder andere Flecken entfernen Sie mit einem nicht scheuernden Reinigungsmittel oder Essig.

Wie alle Feinkeramikutensilien vertragen der Steinguttopf und der Deckel keine plötzlichen Temperaturveränderungen. Reinigen Sie den Steinguttopf oder den Deckel nicht mit kaltem Wasser, wenn diese heiß sind.

Die Außenseite des Heiztopfs kann mit einem weichen Tuch und warmem Seifenwasser gereinigt werden. Trocknen Sie den Außentopf ab. Verwenden Sie keine scheuernden Reinigungsmittel.

Es sollten keine weiteren Wartungsarbeiten vorgenommen werden.

HINWEIS: Lassen Sie den Steinguttopf nach dem Reinigen per Hand an der Luft trocknen.

GARANTIE

Bewahren Sie bitte unbedingt den Kaufbeleg auf. Dieser ist für die Geltendmachung von Garantieansprüchen zwingend erforderlich.

Die in diesem Dokument beschriebene Geräteggarantie gilt für einen Zeitraum von 2 Jahren ab Kaufdatum.

Sollte das Gerät entgegen allen Erwartungen innerhalb dieses Zeitraums aufgrund eines Konzeptions- oder Herstellungsfehlers nicht mehr einwandfrei funktionieren, können Sie es zusammen mit dem Kaufbeleg und einer Kopie dieses Garantiebelegs am Kaufort abgeben.

Die aus dieser Garantie erwachsenden Ansprüche und Leistungen sind als Ergänzung zu Ihren gesetzlichen Ansprüchen anzusehen. Diese werden von dieser Garantie nicht beeinträchtigt. Diese Bedingungen können ausschließlich durch Jarden Consumer Solutions (Europe) Limited ("JCS (Europe)") geändert werden.

JCS (Europe) verpflichtet sich innerhalb der Garantiedauer zur kostenlosen Reparatur oder zum kostenlosen Austausch des Geräts bzw. von Geräteteilen, die nachweislich nicht ordnungsgemäß funktionieren. Es gelten jedoch folgende Voraussetzungen:

- Sie müssen den Händler oder JCS (Europe) unverzüglich über das Problem informieren.
- An dem Gerät wurden keinerlei Änderungen vorgenommen, es wurde nur bestimmungsgemäß eingesetzt, nicht beschädigt und nicht von Personen repariert, die von JCS (Europe) nicht autorisiert wurden.

Mängel, die auf unsachgemäße Nutzung, Beschädigung, nicht zugelassene elektrische Spannung, Naturgewalten, Ereignisse außerhalb der Kontrolle durch JCS (Europe), Reparaturen oder Änderungen durch Personen, die von JCS (Europe) nicht autorisiert wurden, oder Nichtbeachtung der Nutzungsanweisungen zurückzuführen sind, werden von dieser Garantie nicht abgedeckt. Außerdem sind durch normale Gebrauchsabnutzung entstandene Mängel, wie beispielsweise geringfügige Verfärbungen und Kratzer, von dieser Garantie ausgenommen.

Die im Rahmen dieser Garantie eingeräumten Rechte gelten ausschließlich für den ursprünglichen Käufer und dürfen nicht auf die kommerzielle oder kommunale Nutzung ausgedehnt werden.

Elektrische Altgeräte dürfen nicht über den Hausmüll entsorgt werden. Geben Sie, falls möglich, diese Geräte bei geeigneten Rücknahmestellen ab. Wenn Sie weitere Informationen zur Rücknahme und Entsorgung von Elektrogeräten erhalten möchten, senden Sie bitte eine E-Mail an die Adresse enquiriesEurope@jardencs.com.

Jarden Consumer Solutions (Europe) Limited
5400 Lakeside
Cheadle Royal Business Park
Cheadle
SK8 3GQ
United Kingdom



ESPAÑOL

INSTRUCCIONES IMPORTANTES DE SEGURIDAD

LÉALAS DETENIDAMENTE Y CONSÉRVELAS PARA CONSULTARLAS EN EL FUTURO

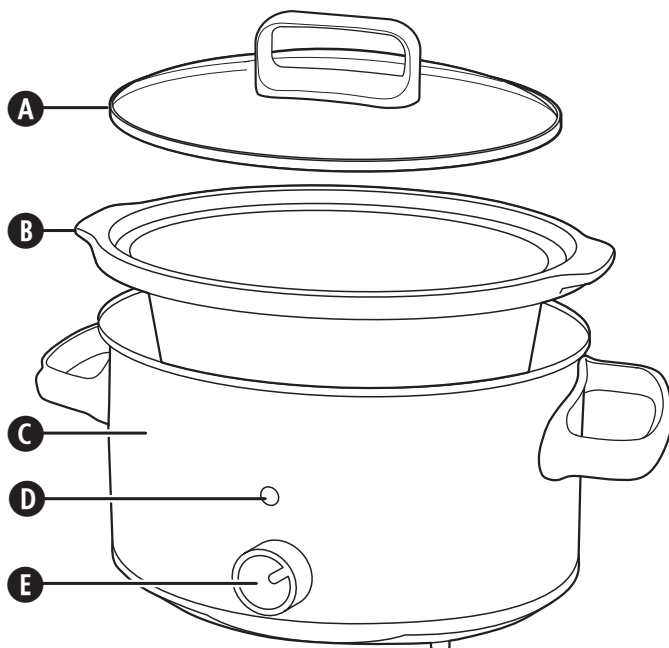
Este aparato puede ser utilizado por niños a partir de 8 años de edad y por personas con disminución de capacidades físicas, sensoriales o mentales o sin experiencia ni conocimientos si reciben supervisión o instrucciones relativas al uso seguro del aparato y comprenden los riesgos que implica. Los niños no deben jugar con el aparato. La limpieza y el mantenimiento de usuario no deben ser realizados por niños a no ser que tengan 8 años o más y lo hagan con supervisión. Mantenga el aparato y su cable fuera del alcance de niños menores de 8 años.

⚠ Algunas piezas del aparato se calientan durante su uso.

Si el cable de alimentación está dañado, deberá ser sustituido por el fabricante, su agente de servicio técnico o personas que cuenten con una cualificación equivalente para evitar posibles riesgos.

No utilice nunca el aparato para ningún fin distinto de aquel para el que ha sido diseñado. Este aparato es para uso doméstico exclusivamente. No utilice este aparato al aire libre.

- Este aparato genera calor durante su uso. Deberán adoptarse precauciones para evitar quemaduras, irritaciones, fuego u otros daños a personas u objetos provocados por el contacto con la parte exterior mientras esté utilizándose o enfriándose.
- Asegúrese siempre de que tiene las manos secas antes de manipular el enchufe o encender el aparato.
- Utilice siempre el aparato sobre una superficie estable, segura, seca y horizontal.
- Este aparato no debe colocarse sobre superficies que puedan estar calientes (como una cocina eléctrica o de gas) ni en las proximidades de estas.
- No utilice el aparato si este se ha caído al suelo o presenta signos visibles de daños o goteo.
- Asegúrese de que el aparato está apagado y desconectado de la toma eléctrica después de usarlo y antes de limpiarlo.
- Deje siempre que el aparato se enfríe antes de limpiarlo o guardarlo.
- Nunca sumerja parte alguna del aparato, el cable de alimentación o el conector en agua ni en ningún otro líquido.
- Nunca permita que el cable de alimentación quede colgando del borde de una superficie de trabajo, que entre en contacto con superficies calientes, que presente nudos o que quede atrapado.
- No toque las superficies externas del aparato durante su uso, ya que pueden estar muy calientes. Utilice guantes o un paño al retirar la tapa. Tenga cuidado con el vapor que sale al retirar la tapa.
- NUNCA intente calentar alimentos directamente en la unidad base. Utilice siempre el cuenco de cocción extraíble.
- Algunas superficies no están diseñadas para soportar el calor prolongado que generan determinados aparatos. No coloque el aparato sobre una superficie que pueda resultar dañada por el calor. Recomendamos colocar un material aislante o un salvamanteles debajo del aparato para evitar posibles daños a la superficie.
- La tapa de la olla de cocción lenta está fabricada en vidrio templado. Inspeccione siempre la tapa para comprobar si presenta esquirlas, grietas u otro daño. No utilice la tapa de vidrio si está dañada, ya que podría romperse durante su utilización.



PIEZAS

- A** Tapa
- B** Olla cerámica
- C** Base de calentamiento
- D** Luz de alimentación
- E** Selector de ajuste

PREPARACIÓN PARA SU USO

Antes de utilizar la olla de cocción lenta Crock-Pot®, retire todo el embalaje, lave la tapa y la olla cerámica con agua caliente y jabonosa y séquelas a conciencia. **PRECAUCIÓN:** Nunca sumerja la base de calentamiento, el cable de alimentación o el conector en agua ni en ningún otro líquido.

NOTAS IMPORTANTES: Algunas superficies de encimeras y mesas no están diseñadas para soportar el calor prolongado que generan determinados aparatos. No coloque la unidad caliente sobre una superficie sensible al calor. Recomendamos colocar un material aislante del calor o un salvamanteles debajo de la olla de cocción lenta para evitar posibles daños a la superficie.

Tenga cuidado al colocar la olla cerámica sobre una cocina vitrocerámica, una encimera, una mesa u otra superficie cerámica o delicada. Debido a la naturaleza de la cerámica, la superficie no pulida de la base puede arañar otras superficies si no se tiene precaución. Coloque siempre material protector debajo de la olla cerámica antes de colocarla en una mesa o encimera.

Al usar este electrodoméstico por primera vez, puede que genere algo de humo o que huela. Se trata de una circunstancia normal que se produce con muchos electrodomésticos de calentamiento y que dejará de producirse tras varios usos.

CÓMO UTILIZAR LA OLLA DE COCCIÓN LENTA

1. Coloque la olla cerámica en la base de calentamiento, añada los ingredientes a la olla cerámica y cúbrala con la tapa.
2. Conecte la olla de cocción lenta y gire el selector de ajuste a temperatura de cocción alta (☀) o baja (🌙).
NOTA: El ajuste caliente (☀) es EXCLUSIVAMENTE para alimentos que ya se han cocinado con calor. NO cocine con el ajuste (☀). No recomendamos utilizar el ajuste caliente durante más de 4 horas.
3. Una vez finalizada la cocción, desenchufe la olla de cocción lenta y déjala enfriar antes de limpiarla.

NOTAS SOBRE SU USO

- Si lo desea, puede cambiar manualmente al ajuste (🌙) cuando haya terminado de cocinar la receta.
- Para evitar que los alimentos queden sin cocinar por completo, llene siempre la olla cerámica entre $\frac{1}{2}$ y $\frac{3}{4}$ de su capacidad total y cumpla los tiempos de cocción recomendados.
- No llene en exceso la olla cerámica. Para evitar que se derrame el contenido, no llene la olla cerámica por encima de $\frac{3}{4}$ de su capacidad total.
- Cocine siempre con la tapa puesta y durante el tiempo recomendado. No retire la tapa durante las primeras dos horas de cocción para permitir que se acumule el calor de forma eficiente.
- Utilice guantes siempre que tenga que manipular la tapa o la olla cerámica.
- Desenchufe cuando la cocción haya terminado y antes de realizar la limpieza.
- La olla cerámica extraíble y la tapa son aptas para horno. No utilice la olla cerámica extraíble con una cocina de gas, eléctrica o debajo de un grill.

SUGERENCIAS Y TRUCOS PARA COCINAR

- Quite la grasa y limpie la carne para retirar todos los residuos. (Si la carne contiene grasa, dórela en la olla y retire toda la grasa que suelte). Aderece con sal y pimienta. Coloque la carne en la olla sobre las verduras.
- En el caso de asados y estofados, vierta líquido sobre la carne. No utilice más líquido del indicado en la receta. La carne y las verduras retienen más jugo con la cocción lenta que con la cocción convencional.
- La mayoría de las verduras deben cortarse en rodajas delgadas o colocarse en los lados o el fondo de la olla cerámica. En una olla de cocción lenta, la carne normalmente se cocina más rápido que la mayoría de las verduras.
- Utilice hierbas y especias en hojas enteras para lograr todo el sabor que permite el método de cocción lenta.
- Dado que no hay calor directo en el fondo, llene siempre la olla cerámica al menos hasta la mitad para cumplir los tiempos recomendados. Es posible preparar cantidades pequeñas, aunque en ese caso los tiempos de cocción pueden verse afectados.
- Si una receta indica que se añade una cantidad determinada de líquido, esta puede variarse si se sustituye en una cantidad equivalente. Por ejemplo, una lata de sopa puede sustituirse por una lata de tomate, o un vaso de caldo de ternera o pollo por un vaso de vino.
- Las judías deben ablandarse por completo antes de mezclarse con azúcar y/o alimentos ácidos. (NOTA: El azúcar y el ácido tienen un efecto endurecedor en las judías que impide que se ablanden).

GUÍA PARA ADAPTAR RECETAS

Esta guía está pensada para ayudarle a adaptar sus propias recetas o recetas tomadas de otras fuentes a la olla de cocción lenta. Muchos de los pasos previos habituales son innecesarios cuando se utiliza la olla de cocción lenta. En la mayoría de los casos, se pueden meter todos los ingredientes en la olla de cocción lenta a la vez y cocinarlos durante todo el día. General:

- Deje un tiempo de cocción suficiente.
- Cocine con la tapa colocada.
- Para obtener un resultado óptimo y evitar que la comida se seque o se queme, utilice siempre una cantidad adecuada de líquido en la receta.

- Aunque puede que parezca que nuestras recetas llevan una cantidad pequeña de líquido, el proceso de cocción lenta difiere de otros métodos de cocina en que el líquido añadido a la receta casi se duplica durante el tiempo de cocción. Por ello, si adapta un receta para olla de cocción lenta, reduzca la cantidad de líquido antes de cocinar.

TIEMPO DE LA RECETA	COCCIÓN CON LOW (BAJA)	COCCIÓN CON HIGH (ALTA)
De 15 a 30 minutos	De 4 a 6 horas	De 1½ a 2 horas
De 30 a 45 minutos	De 6 a 10 horas	De 3 a 4 horas
De 50 minutos a 3 horas	De 8 a 10 horas	De 4 a 6 horas

PASTA Y ARROZ:

- Si la receta requiere la adición de fideos, macarrones, etc., cocínelos en una cocina convencional hasta que estén tiernos y añádalos a la olla de cocción lenta durante los últimos 30 minutos de cocción. Para utilizar arroz, remuévalo con los otros ingredientes y añada un ¼ de taza de líquido extra por cada ¼ de taza de arroz. El arroz largo es el que ofrece el mejor resultado.

JUDÍAS:

- Las judías deben ablandarse por completo antes de mezclarse con azúcar y/o alimentos ácidos. El azúcar y el ácido tienen un efecto endurecedor en las judías que impide que se ablanden.
- Las judías secas, especialmente las pintas, deben cocerse antes de añadirse a la receta.
- Pueden utilizarse judías de lata ya cocinadas en lugar de judías secas.

VERDURAS:

- Muchas verduras dan muy buen resultado con las cocción lenta, dado que les permite desarrollar todo su sabor. En la olla de cocción lenta tienden a no cocinarse en exceso, al contrario de lo que sucede en el horno o en una cocina normal.
- Al preparar recetas con verduras con carne, coloque las verduras en la olla de cocción lenta antes que la carne. Las verduras normalmente se cocinan más lentamente que la carne en la olla de cocción lenta.
- Sítue las verduras en la parte inferior del cuenco de cocción para facilitar su cocción.

HIERBAS Y ESPECIAS:

- Las hierbas frescas añaden sabor y color, pero deben añadirse al final del ciclo de cocción, dado que su sabor se disipa con un tiempo de cocción largo.
- Las hierbas y especias molidas y/o secas van bien con la cocción lenta y pueden añadirse desde el principio.
- La intensidad del sabor de las hierbas y especias puede variar mucho en función de su potencia y duración. Utilice hierbas en pequeñas cantidades, pruebe los alimentos preparados al final del ciclo de cocción y corrija el sabor justo antes de servirlos.

LECHE:

- La leche, la nata y la crema agria se cortan al cocinarse durante periodos de tiempo largos. En la medida de lo posible, añádalos durante los últimos 15 a 30 minutos de cocción.
- Pueden utilizarse sopas condensadas en lugar de leche, ya que pueden cocinarse durante periodos más largos.

CARNES:

- Quite la grasa, enjuague y seque la carne con toallas de papel.
- Pasar la carne previamente permite drenar la grasa antes de cocinar la carne lentamente, al tiempo que aporta un sabor más intenso.
- La carne debe colocarse de manera que quede en el cuenco de cocción sin tocar la tapa.
- En el caso de cortes de carne pequeños o grandes, modifique la cantidad de verduras o patatas para que el cuenco quede siempre entre la ½ y ¾ de su capacidad total.
- El tamaño de la carne y los tiempos de cocción recomendados son solo estimaciones y pueden variar en función del corte específico, el tipo y la estructura del hueso. Las carnes magras, como el pollo o el solomillo de cerdo, se cocinan más rápido que las carnes con más tejido conectivo y grasa, como el morcillo de ternera o la paletilla de cerdo. Al cocinar la carne con hueso en lugar de sin hueso aumenta el tiempo de cocción.
- Corte la carne en trozos pequeños al cocinarla con alimentos precocinados como judías o fruta, o vegetales ligeros como champiñones, cebolla en dados, berenjena o verduras picadas. Esto permite que todos los alimentos se cocinen a la vez.

PESCADO:

- El pescado se cocina rápido, por lo que debe añadirse al final del ciclo, entre los últimos 15 minutos y la hora antes de que se complete el tiempo de cocción.

LIMPIEZA

Desenchufe SIEMPRE la olla de cocción lenta de la toma eléctrica y déjela enfriar antes de limpiarla.

PRECAUCIÓN: Nunca sumerja la base de calentamiento, el cable de alimentación o el conector en agua ni en ningún otro líquido.

La tapa y la olla cerámica pueden lavarse en el lavavajillas o con agua caliente y jabonosa. No utilice agentes limpiadores abrasivos ni estropajos. Para quitar los residuos, normalmente basta con un paño, una esponja o una espátula de goma. Para quitar manchas de agua u otras manchas, utilice un agente de limpieza no abrasivo o vinagre.

Al igual que sucede con cualquier cerámica fina, la olla cerámica y la tapa no soportan los cambios bruscos de temperatura. No lave la olla cerámica ni la tapa con agua fría si están calientes.

La parte externa de la base de calentamiento puede limpiarse con un paño suave y agua caliente y jabonosa. Pásele un paño para secarla. No utilice agentes de limpieza abrasivos.

No podrá realizar ninguna otra operación de mantenimiento.

NOTA: Tras limpiarla a mano, deje que la olla cerámica se seque sola antes de almacenarla.

GARANTÍA

Guarde su recibo de compra, recibo ya que lo necesitará para cualquier reclamación dentro de esta garantía.

Este producto tiene una garantía de 2 años desde la fecha de compra tal como se describe en este documento.

Durante este período de garantía, en el improbable caso de que el aparato ya no funcione debido a un fallo de diseño o fabricación, devuélvalo al lugar donde lo compró con su recibo de compra y una copia de esta garantía.

Los derechos y ventajas de esta garantía son adicionales a sus derechos estatutarios, que no se verán afectados por esta garantía. Sólo Jarden Consumer Solutions (Europe) Limited ("JCS (Europe)") tiene derecho a cambiar estos términos.

JCS (Europe) se compromete, durante el período de garantía, a reparar o cambiar el aparato, o cualquier parte del aparato que no funcione correctamente, de manera gratuita siempre que:

- Informe inmediatamente al establecimiento de compra o a JCS (Europe) del problema; y
- No se haya modificado el aparato de ninguna forma ni se haya sometido a daños, uso indebido, mal uso o reparación por cualquier otra persona no autorizada por JCS (Europe).

Los fallos que se produzcan por uso indebido, daños, mal uso, uso con un voltaje incorrecto, desastres naturales, acontecimientos que escapen al control de JCS (Europe), reparaciones o modificaciones realizadas por una persona no autorizada por JCS (Europe) o por no seguir las instrucciones de uso no están cubiertas por esta garantía. Además, el desgaste o deterioro debidos al uso normal, incluidos, sin limitación, los arañazos y las pequeñas decoloraciones no están cubiertos por esta garantía.

Los derechos de esta garantía sólo se aplicarán al comprador original y no se cubrirán el uso comercial o comunitario.

Si el aparato incluye una garantía específica de algún país, consulte los términos y condiciones de dicha garantía en sustitución de la presente garantía, o póngase en contacto con el comerciante autorizado de su localidad para obtener más información.

Los productos eléctricos desechados no se deben eliminar con la basura doméstica. Recíclelos donde existan instalaciones para tal fin. Envíenos un mensaje de correo electrónico a enquiriesEurope@jardencs.com para obtener más información sobre WEEE y el reciclaje.

Jarden Consumer Solutions (Europe) Limited
Edif. Vázquez Krasnow
C/ Camino de la Zarzuela, 21
1º - Oficina 1B
28023 – Aravaca
Madrid, España
Tel. +34 902 515 588



PORTUGUÊS

INSTRUÇÕES DE SEGURANÇA IMPORTANTES

LEIA COM ATENÇÃO E GUARDE-AS PARA REFERÊNCIA FUTURA

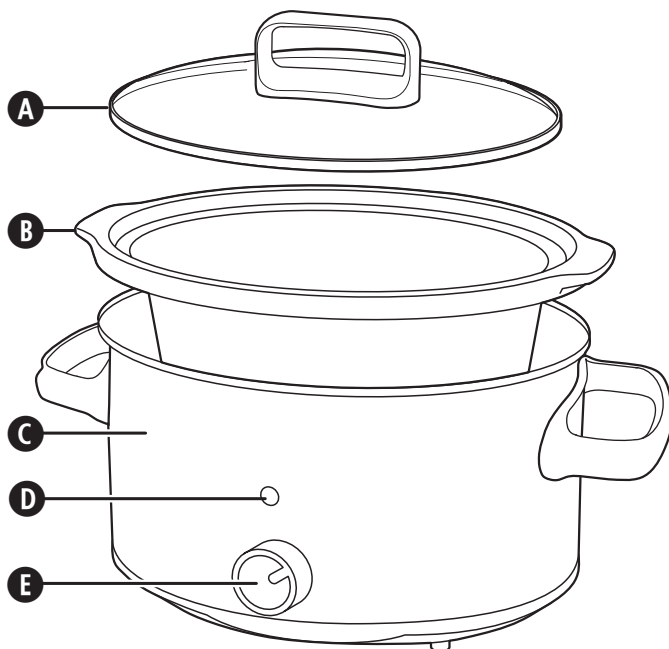
Este aparelho pode ser utilizado por crianças com idades a partir dos 8 anos e pessoas com capacidades físicas, sensoriais e mentais reduzidas, ou falta de experiência e conhecimento, desde que lhes tenha sido fornecida supervisão ou instruções relativas à utilização segura do aparelho e que tenham compreendido os perigos envolvidos. As crianças não devem brincar com o aparelho. A limpeza e manutenção feitas pelo utilizador não devem ser feitas por crianças, exceto se tiverem mais de 8 anos e forem supervisionadas. Mantenha o aparelho e respetivo cabo elétrico fora do alcance de crianças com menos de 8 anos de idade.

⚠ É provável que as peças do utensílio fiquem quentes durante a utilização.

Se o cabo de alimentação estiver danificado, deve ser substituído pelo fabricante, o respetivo agente de assistência ou pessoas semelhantes qualificadas, a fim de evitar acidentes.

Nunca utilize este aparelho com outro objetivo que não aquele para o qual foi criado. Este aparelho serve apenas para utilização doméstica. Não utilize este aparelho em espaços exteriores.

- Este utensílio gere calor durante a utilização. Deve ser tomado cuidado adequado para evitar riscos de queimaduras, fogo ou outros danos em pessoas ou propriedade causada pelo toque na estrutura exterior durante a utilização ou arrefecimento.
- Certifique-se sempre de que tem as mãos secas antes de ligar à tomada ou ligar o aparelho.
- Utilize sempre o aparelho numa superfície estável, segura, seca e nivelada.
- Este utensílio não deve ser colocado sobre ou junto a qualquer potencial fonte de calor (como fornos a gás ou elétricos).
- Não utilize o aparelho, caso ele tenha caído ou se tiver sinais visíveis de danos ou de derrame.
- Certifique-se de que o aparelho está desligado e a ficha desligada da tomada elétrica antes de o limpar.
- Deixe sempre que o aparelho arrefeça antes de limpar ou arrumar.
- Nunca submerja qualquer parte do utensílio ou cabo e ficha de alimentação em água ou qualquer outro líquido.
- Nunca permita que o cabo de alimentação fique pendurado na extremidade do balcão, em contacto com superfícies quentes ou que fique enlaçado, preso ou entalado.
- Não toque nas superfícies externas do aparelho durante a utilização, uma vez que estas podem ficar bastante quentes. Utilize luvas de forno ou um pano quando mexer na tampa. Tenha atenção o vapor expelido ao retirar a tampa.
- NUNCA tentar aquecer nenhum alimento diretamente dentro da unidade base. Utilize sempre a taça de preparação amovível.
- Algumas superfícies não estão preparadas para suportar o calor prolongado gerado por determinados aparelhos. Não coloque o aparelho numa superfície que possa ser danificada pelo calor. Recomendamos colocar uma base isoladora ou uma grelha por baixo do aparelho para evitar possíveis danos na superfície.
- A tampa da panela de preparação lenta é feita de vidro temperado. Verifique sempre a tampa a fim de garantir que não está partida, rachada ou solta. Não utilize a tampa de vidro se estiver danificada, pois pode estilhaçar-se durante a utilização.



PEÇAS

- A** Tampa
- B** Panela de preparação de grés
- C** Unidade de base de aquecimento
- D** Luz de alimentação
- E** Seletor de definição

PREPARAÇÃO PARA UTILIZAÇÃO

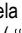
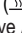
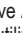
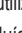
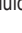
Antes de utilizar a Crock-Pot® panela de preparação lenta, retire todos os componentes de embalagem e lave a tampa e grés com água quente e detergente e seque bem. **ATENÇÃO:** Nunca emergir a base de aquecimento, o cabo de alimentação ou a ficha em água ou em qualquer outro líquido.

INDICAÇÕES IMPORTANTES: Algumas superfícies de bancadas e mesas não estão preparadas para suportar o calor prolongado gerado por determinados aparelhos. Não coloque a unidade aquecida sobre uma superfície sensível ao calor. Recomendamos colocar uma base ou uma grelha por baixo da panela de preparação lenta para evitar possíveis danos na superfície.


Tenha cuidado quando colocar o grés num forno, bancada, mesa ou outra superfície de vidro suave ou cerâmica. Devido à natureza do grés, a superfície inferior rija poderá riscar algumas superfícies se não for tido cuidado. Coloque sempre a proteção por baixo da panela em grés antes de a colocar numa mesa ou bancada.

Durante a primeira utilização deste aparelho poderá detetar algum ligeiro fumo ou odor. Isto é normal com muitos aparelhos de aquecimento e deixará de ocorrer após algumas utilizações.

COMO UTILIZAR A SUA PAINELA DE PREPARAÇÃO LENTA

1. Coloque o grés na base de aquecimento, adicione os seus ingredientes ao grés e tape com a tampa.
Ligue à tomada elétrica a sua painela de preparação lenta e rode o seletor de definição para a temperatura de cozedura elevada () ou reduzida ().
NOTA: A definição  (quente) serve APENAS para manter quente a comida que já foi cozinhada. NÃO cozinhe na definição . Não recomendamos utilizar a definição  por mais de 4 horas.
2. Quando a preparação estiver concluída, desligue a sua painela de preparação lenta da tomada e deixe que arrefeça antes de limpar.

NOTAS DE UTILIZAÇÃO

- Se desejar, pode mudar manualmente para a definição  (quente) quando a sua receita tiver acabado de ser preparada.
- Para evitar cozinhar demais ou de menos a comida, encha sempre o grés entre $\frac{1}{2}$ e $\frac{3}{4}$ e de acordo com os tempos de cozedura recomendados.
- Não encha demasiado a painela. Para evitar que deite fora, não encha a painela acima de $\frac{3}{4}$.
- Cozinhe sempre com a tampa posta durante o tempo recomendado. Não remova a tampa durante as primeiras duas horas de cozedura para permitir que o calor se acumule de forma eficiente.
- Utilize sempre luvas quando mexer na tampa ou grés.
- Desligue o aparelho da eletricidade quando acabar a cozedura e antes de limpar.
- O grés amovível e a tampa podem ir ao forno. Não utilize o grés amovível num fogão a gás, fogão elétrico ou num grelhador.

SUGESTÕES E DICAS DE PREPARAÇÃO

- Corte as gorduras e limpe bem as carnes para retirar resíduos. (Se as carnes contiverem gorduras. Sele na painela e escorra bem). Tempere com sal e pimenta. Coloque a carne na painela por cima dos vegetais.
- Para assados e estufados, despeje líquido sobre a carne. Utilize mais líquido do que o especificado na receita. São retidos mais sucos na carne e vegetais durante a preparação lenta em comparação com a preparação convencional.
- A maioria dos vegetais deverá ser cortada fina ou colocada mais perto das laterais ou fundo da painela de grés. Numa painela de preparação lenta, as carnes normalmente cozinham mais depressa do que a maioria dos vegetais.
- Utilize folhas inteiras de ervas e especiarias para um sabor mais incorporado com o método de preparação lenta.
- Uma vez que não existe calor direto da parte inferior, encha sempre a painela de grés, pelo menos, até meio a fim de entrar em conformidade com os tempos recomendados. Podem ser preparadas pequenas quantidades, mas os tempos de preparação podem ser afetados.
- Um líquido específico necessário numa receita pode variar, caso seja substituído por uma quantidade igual. Por exemplo, substituir uma lata de sopa por uma lata de tomate ou 1 chávena de caldo de carne ou galinha por 1 chávena de vinho.
- Os feijões devem ser completamente demolidos antes de os misturar com açúcar e/ou alimentos ácidos. (NOTA: O açúcar e o ácido têm um efeito enrijecedor nos feijões e irão fazer com que não amoleçam).

GUIA PARA ADAPTAR RECEITAS

Este guia foi pensado para o ajudar a adaptar as suas próprias receitas e de outros para a sua painela de preparação lenta. Muitos dos passos de preparação normais não são necessários quando utilizar a sua painela de preparação lenta. Na maioria dos casos, todos os ingredientes podem ser inseridos na sua painela de preparação lenta ao mesmo tempo e cozinhar durante todo o dia. Geral:

- Dê tempo suficiente para a preparação.
- Cozinhe com a tampa posta.
- Para melhores resultados e para evitar que a comida seque ou queime, certifique-se de que é utilizada uma quantidade de líquido adequado na receita.

- Poderá parecer que as nossas receitas apenas têm uma pequena quantidade de líquido, mas o processo de cozedura lenta difere de outros métodos de cozedura, na medida em que o líquido adicionado na receita irá quase duplicar durante o tempo de cozedura. Como tal, se estiver a adaptar uma receita para a sua panela de cozedura lenta, reduza a quantidade de líquido antes de cozinhar.

TEMPO DA RECEITA	COZINHAR EM LUME BAIXO	COZINHAR EM LUME ALTO
15 a 30 minutos	4 a 6 horas	1½ a 2 horas
30 a 45 minutos	6 a 10 horas	3 a 4 horas
50 minutos a 3 horas	8 a 10 horas	4 a 6 horas

MASSA E ARROZ:

- Se a receita requerer que sejam acrescentados noodles, macarrão, etc. cozinhe-os num fogão tradicional até ficarem ligeiramente tenros e adicione à sua panela de preparação lenta durante os últimos 30 minutos de preparação.
- Para utilizar arroz, misture com os outros ingredientes e adicione ¼ de copo extra de líquido por cada ¼ de copo de arroz. Obterá melhores resultados com arroz agulha.

FEIJÕES:

- Os feijões devem ser completamente demolidos antes de os misturar com açúcar e/ou alimentos ácidos. O açúcar e o ácido têm um efeito enrijecedor nos feijões e irão fazer com que não amoleçam.
- Feijões secos, especialmente feijões vermelhos, devem ser fervidos antes de os adicionar a uma receita.
- Podem ser utilizados feijões enlatados totalmente cozinhados como substituto de feijões secos.

VEGETAIS:

- Muitos vegetais beneficiam de cozedura lenta e são capazes de desenvolver o seu máximo sabor. Têm tendência para não cozinhar demasiado na sua panela de preparação lenta, contrário ao que poderia acontecer no forno ou fogão.
- Quando cozinhar receitas com vegetais e carne, coloque os vegetais na panela de preparação lenta antes da carne. Os vegetais normalmente cozinham mais devagar do que a carne na panela de preparação lenta.
- Coloque os vegetais junto da parte de baixo do recipiente de preparação para ajudar a cozinhar.

ERVAS E ESPECIARIAS:

- Ervas frescas adicionam sabor e cor, mas devem ser adicionadas no fim do ciclo de preparação, uma vez que o sabor irá dissipar-se com tempos longos de cozedura.
- Ervas e especiarias moídas e/ou secas funcionam melhor em cozedura lenta e podem ser adicionados no início.
- A intensidade do sabor de todas as ervas e especiarias pode variar bastante consoante o seu tempo específico de existência na prateleira. Utilize ervas com moderação, prove no fim do ciclo de cozedura e ajuste os temperos antes de servir.

LEITE:

- Leite e natas irão separar-se durante tempos de cozedura longos. Quando possível, adicione durante os últimos 15 a 30 minutos de cozedura.
- Os preparados enlatados de sopa podem ser substituídas por leite e podem cozinhar durante períodos mais longos.

CARNES:

- Apare a gordura, lave bem e seque a carne com toalhas de papel.
- Corar a carne antes permite que a gordura seja retirada antes da cozedura lenta e também dá mais profundidade de sabor.
- A carne deve ser colocada de forma a que repouse no recipiente de preparação sem tocar na tampa.
- Para pedaços de carne mais pequenos ou maiores, altere a quantidade de vegetais ou de batatas para que o recipiente de preparação esteja sempre entre ½ a ¾ cheio.
- O tamanho da carne e os tempos de cozedura recomendados são apenas estimativas e podem variar consoante o corte, tipo e estrutura de osso específicos. Carnes magras, como galinha ou lombo de porco tendem a cozinhar mais depressa do que carne com mais tecido conjuntivo e gordura, como acém ou ombro de porco. Cozinhar a carne com osso irá demorar mais tempo do que cozinhar carne sem osso.

- Corte a carne em pedaços mais pequenos quando cozinhar com alimentos pré-cozinhados, como feijões ou fruta, ou vegetais leves como cogumelos, cebola às rodelas, beringela ou vegetais picados finamente. Isto permite que toda a comida cozinhe de forma homogênea.

PEIXE:

- O peixe coze rapidamente e deve ser adicionado no fim do ciclo de cozedura durante os últimos quinze minutos a uma hora de cozedura.

LIMPEZA

Desligue SEMPRE a sua panela de preparação lenta da tomada e deixe que arrefeça antes de limpar.

ATENÇÃO: Nunca emergir a base de aquecimento, o cabo de alimentação ou a ficha em água ou em qualquer outro líquido.

A tampa e o grés podem ser lavados na máquina de lavar louça ou com água quente com detergente. Não utilize compostos ou esfregões de limpeza abrasivos. Um pano, uma esponja ou uma espátula de borracha removem geralmente os resíduos. Para retirar manchas de água ou outras manchas, utilize um produto de limpeza não abrasivo ou vinagre.

Tal como com qualquer cerâmica fina, o grés e a tampa não irão suportar mudanças de temperatura repentinas. Não lave o grés ou tampa com água fria quando estes estiverem quentes.

O exterior da base de aquecimento pode ser limpo com um pano macio e água quente e detergente. Secar com um pano. Não utilizar produtos de limpeza abrasivos.

Não deve ser feita outra manutenção.

NOTA: Após a limpeza à mão ser feita deixe que o grés seque ao ar antes de o arrumar.

GARANTIA

Guarde o seu recibo, já que ele será necessário para quaisquer reclamações ao abrigo desta garantia.

Este produto tem uma garantia de 2 anos após a compra, conforme o descrito neste documento.

Durante este período de garantia, no caso improvável de o aparelho deixar de funcionar devido a um defeito de concepção ou fabrico, devolva-o ao local da compra, acompanhado do recibo e de uma cópia desta garantia.

Os direitos e benefícios adquiridos ao abrigo desta garantia complementam e não afectam os seus direitos legais. Apenas a Jarden Consumer Solutions (Europe) Limited ("JCS (Europe)") tem o direito de alterar estes termos.

A JCS (Europe) compromete-se, durante o período da garantia, a reparar ou substituir o aparelho ou qualquer peça do mesmo que não funcione devidamente, sem encargos, desde que:

- Comunique prontamente ao local de compra ou à JCS (Europe) o problema; e
- o aparelho não tenha sofrido qualquer alteração, nem tenha sido sujeito a danos, uso indevido, abuso, reparação ou alteração por alguém não autorizado pela JCS (Europe).

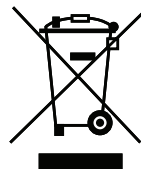
Esta garantia não cobre as avarias resultantes de uso indevido, danos, abuso, uso de voltagem incorrecta, actos da natureza, eventos fora do controlo da JCS (Europe), reparações ou alterações por alguém não autorizado pela JCS (Europe) ou incumprimento das instruções de utilização. A garantia não cobre igualmente o desgaste normal, incluindo, entre outros, ligeira descoloração e riscos.

Os direitos adquiridos ao abrigo desta garantia aplicam-se apenas ao comprador original e não são extensíveis a uma utilização comercial ou colectiva.

Se o seu aparelho incluir uma garantia ou um certificado específico para o país, por favor consulte os termos e as condições dessa garantia ou certificado em vez desta, ou contacte o seu revendedor local autorizado para mais informações.

A eliminação de produtos eléctricos não deve ser feita juntamente com o lixo doméstico. Recicle nas instalações corretas. Envie-nos um email para enquiriesEurope@jardencs.com para mais informação sobre reciclagem e REEE.

Jarden Consumer Solutions (Europe) Limited
Edif. Vázquez Krasnow
C/ Camino de la Zarzuela, 21
1º - Oficina 1B
28023 – Aravaca
Madrid, España
Tlf. +34 902 515 588



IMPORTANTI INFORMAZIONI SULLA SICUREZZA

LEGGERE QUESTE ISTRUZIONI E CONSERVARLE
PER POTERLE CONSULTARE IN FUTURO

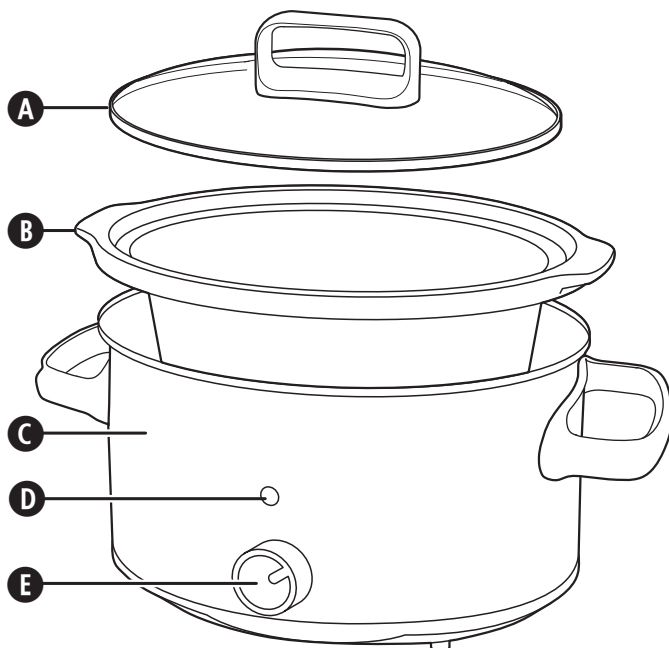
L'apparecchio può essere utilizzato da bambini di 8 anni o più e da individui con ridotte capacità fisiche, sensoriali o mentali, o privi di esperienza, se sotto supervisione oppure qualora siano state loro impartite istruzioni in merito all'utilizzo sicuro dell'apparecchio e qualora comprendano i rischi che ne possono derivare. I bambini non devono giocare con l'apparecchio. I bambini non devono eseguire la pulizia e la manutenzione a meno che non siano di età superiore agli 8 anni e sotto supervisione. Tenere l'apparecchio e il cavo elettrico al di fuori della portata di bambini di età inferiore a 8 anni.

 Durante l'utilizzo alcune parti dell'apparecchio potrebbero surriscaldarsi.

Nel caso in cui il cavo di alimentazione sia danneggiato, deve essere sostituito dalla casa produttrice, dal servizio di assistenza o da persone debitamente qualificate al fine di evitare possibili rischi.

Non utilizzare mai il presente apparecchio per fini diversi da quello della sua destinazione d'uso. Il presente apparecchio è destinato esclusivamente all'uso domestico. Non utilizzare l'apparecchio all'aperto.

- Questo apparecchio genera calore durante l'utilizzo. Adottare le debite precauzioni al fine di evitare il rischio di ustioni, bruciature, incendi o altri danni a persone o proprietà provocati dal contatto con l'esterno dell'apparecchio mentre questo è in uso o in fase di raffreddamento.
- Controllare sempre che le mani siano asciutte prima di maneggiare la presa o di accendere l'apparecchio.
- Utilizzare sempre l'apparecchio su una superficie stabile, sicura, asciutta e piana.
- L'apparecchio non deve essere collocato sopra o in prossimità di superfici potenzialmente calde (come cucine a gas o elettriche).
- Non utilizzare l'apparecchio nel caso in cui sia stato fatto cadere o presenti segni visibili di danneggiamento o di fuoriuscita di perdite.
- Verificare che l'apparecchio sia spento e scollegato dalla presa di alimentazione dopo l'uso e prima della pulizia.
- Lasciare sempre raffreddare l'apparecchio prima della pulizia o della conservazione.
- Non immergere mai l'apparecchio o il cavo di alimentazione e la spina in acqua o in altri liquidi.
- Evitare sempre che il cavo di alimentazione penzoli sopra il bordo di un piano di lavoro, tocchi superfici calde o si attorcigli, resti intrappolato o schiacciato.
- Non toccare le parti esterne dell'apparecchio durante l'utilizzo in quanto esse possono surriscaldarsi. Per rimuovere il coperchio utilizzare guanti da forno oppure uno straccio. Prestare attenzione alla fuoriuscita di vapore quando si rimuove il coperchio.
- Non cercare MAI di riscaldare degli alimenti direttamente all'interno della base. Utilizzare sempre la ciotola di cottura rimovibile.
- Alcune superfici non sono state progettate per sopportare il calore prolungato generato da determinati apparecchi. Non collocare l'apparecchio su una superficie che potrebbe subire danni dovuti al calore. Si consiglia di collocare un tappetino isolante o una sottopentola sotto l'apparecchio al fine di evitare possibili danni alla superficie.
- Il coperchio della pentola a cottura lenta è in vetro temperato. Esaminare sempre il coperchio per escludere la presenza di scheggiature, rotture o altri danneggiamenti. Non utilizzare il coperchio di vetro qualora sia danneggiato, in quanto potrebbe rompersi durante l'uso.



COMPONENTI

- A** Coperchio
- B** Pentola di cottura in litoceramica
- C** Base riscaldante
- D** Spia di accensione
- E** Selettore impostazioni

PREPARAZIONE PER L'USO

Prima di utilizzare la pentola a cottura lenta Crock-Pot®, rimuovere tutti gli imballaggi, lavare il coperchio e la pentola con acqua tiepida saponata, quindi asciugare accuratamente. **ATTENZIONE:** Non immergere mai la base riscaldante, il cavo di alimentazione o la presa in acqua o altro liquido.

NOTE IMPORTANTI: Alcuni piani di lavoro e superfici di tavoli non sono state progettati per sopportare il calore prolungato generato da determinati apparecchi. Non collocare l'unità riscaldata su una superficie sensibile al calore. Si consiglia di collocare un tappetino isolante o una sottopentola sotto la pentola a cottura lenta al fine di evitare possibili danni alla superficie.

Adottare la debita cautela quando si colloca la pentola su un piano di cottura in ceramica o vetro, su un piano di lavoro, su un tavolo o su altre superfici. A causa delle caratteristiche della pentola, la superficie ruvida della base potrebbe graffiare alcune superfici qualora non venga adottata la debita cautela. Collocare sempre un tappetino protettivo sotto la pentola prima di collocarla su un tavolo o piano di lavoro.

Durante l'utilizzo iniziale di questo apparecchio si potrebbe rilevare un leggero fumo oppure odore. Questo fenomeno, assolutamente normale con gli apparecchi riscaldanti, dopo alcuni utilizzi, smette di verificarsi.

COME UTILIZZARE LA PENTA A COTTURA LENTA

1. Collocare la pentola sopra la base riscaldante, aggiungere gli ingredienti e chiudere con il coperchio.
2. Collegare la pentola a cottura lenta all'alimentazione elettrica e ruotare il selettore dell'impostazione sulla temperatura High (☀️) o Low (🌙).
NOTA: L'impostazione caldo (☀️) serve ESCLUSIVAMENTE per mantenere l'alimento caldo dopo che è stato cucinato. NON cucinare con l'impostazione ☀️. Si consiglia di utilizzare l'impostazione ☀️ per più di 4 ore.
3. Al termine della cottura, scollegare la pentola e lasciarla raffreddare prima della pulizia.

NOTE PER L'UTILIZZO

- All'occorrenza è possibile selezionare manualmente l'impostazione ☀️ al termine del tempo di cottura previsto dalla ricetta.
- Per evitare di cuocere gli alimenti in modo eccessivo o insufficiente, riempire sempre la pentola per ½ o ¾ e rispettare i tempi di cottura consigliati.
- Non riempire eccessivamente la pentola in litoceramica. Per evitare fuoriuscite, non riempire la pentola in litoceramica per più di ¾.
- Cucinare sempre con il coperchio per il tempo raccomandato. Non rimuovere il coperchio durante le prime due ore di cottura al fine di permettere al calore di accumularsi in modo efficiente.
- Indossare sempre guanti da forno quando si maneggia il coperchio o la pentola in litoceramica.
- Scollegare dall'alimentazione elettrica al termine della cottura e prima della pulizia.
- La pentola e il coperchio rimovibili sono adatti all'utilizzo in forno. Non utilizzare la pentola in litoceramica rimovibile su un fornello a gas, una piastra di cottura elettrica o sotto una griglia.

CONSIGLI E SUGGERIMENTI PER LA COTTURA

- Rifilare le parti grasse e pulire bene le carni per rimuovere i residui. (Se la carne contiene grasso, rosolare nella pentola di cottura e scolare bene). Insaporire con sale e pepe. Mettere la carne nella pentola di cottura sopra le verdure.
- Per brasati e spezzatini, versare del liquido sopra la carne. Non utilizzare una quantità di liquido superiore a quella indicata nella ricetta. A differenza di quanto avviene con la cottura tradizionale, durante la cottura lenta carne e verdure trattengono maggiormente i sughi.
- La maggior parte delle verdure dovranno essere tagliate sottili o collocate vicino ai lati o alla parte inferiore della pentola di cottura in litoceramica. Nella pentola a cottura lenta, le carni di solito si cuociono più rapidamente rispetto alla maggior parte delle verdure.
- Utilizzare erbe e spezie a foglia intera per ottenere il massimo sapore con il metodo della cottura lenta.
- Poiché non nella parte inferiore non è presente calore diretto, riempire sempre almeno a metà la pentola di cottura in litoceramica, per rispettare i tempi consigliati. Possono essere preparate piccole quantità, ma questo potrebbe incidere sui tempi di cottura.
- Un liquido specifico previsto da una ricetta può essere modificato purché sia sostituito da un'eguale quantità. Sostituire, ad esempio, una lattina di minestra con una lattina di pomodori oppure 1 tazza di brodo di manzo o di pollo con 1 tazza di vino.
- I fagioli vanno ammorbiditi completamente prima di essere combinati con alimenti a base di zucchero e/o acidi. (NOTA: zucchero e acidi svolgono un'azione indurente sui fagioli, impedendone l'ammorbidimento).

GUIDA ALL'ADATTAMENTO DELLE RICETTE

Questa guida si prefigge di aiutarvi ad adattare le vostre ricette, e quelle di altri, alla pentola a cottura lenta Crock-Pot®. Molti dei normali passaggi preparatori non sono necessari quando si utilizza la pentola a cottura lenta Crock-Pot®. Nella maggior parte dei casi è possibile introdurre contemporaneamente tutti gli ingredienti nella pentola a cottura lenta e lasciarli cuocere tutto il giorno. Principi generali:

- Prevedere un tempo di cottura sufficiente.
- Cucinare con il coperchio chiuso.

- Per ottenere risultati ottimali ed evitare che il cibo si secchi o si bruci, assicurarsi sempre che sia presente un'adeguata quantità di liquido nella ricetta.
- Potrebbe sembrare che le nostre ricette prevedano solo una modesta quantità di liquido ma il metodo a cottura lenta differisce dagli altri proprio in questo: il liquido aggiunto nella ricetta praticamente raddoppia durante il tempo di cottura. Pertanto, in caso di adattamento di una ricetta per la pentola a cottura lenta, occorre ridurre la quantità di liquido prima di cucinare.

TEMPO DELLA RICETTA	COTTURA CON IMPOSTAZIONE LOW	COTTURA CON IMPOSTAZIONE LOW
Da 15 a 30 minuti	Da 4 a 6 ore	Da 1½ a 2 ore
Da 30 a 45 minuti	Da 6 a 10 ore	Da 3 a 4 ore
Da 50 minuti a 3 ore	Da 8 a 10 ore	Da 4 a 6 ore

PASTA E RISO:

- Per ottenere risultati ottimali, utilizzare riso a grani lunghi a meno che la ricetta non prescriva altrimenti. Se dopo il tempo suggerito il riso non è cotto completamente, aggiungere 1-1½ tazze di liquido per ogni tazza di riso cotto e proseguire la cottura per altri 20-30 minuti.
- Per ottenere risultati ottimali, cuocere prima la pasta parzialmente in acqua bollette fino ad ammorbidirla leggermente. Aggiungere la pasta durante gli ultimi 30 minuti del tempo di cottura..

FAGIOLI:

- I fagioli vanno ammorbiditi completamente prima di essere combinati con alimenti a base di zucchero e/o acidi. Zucchero e acidi svolgono un'azione indurente sui fagioli, impedendone l'ammorbidimento.
- I fagioli secchi, in particolare quelli rossi, vanno bolliti prima di essere aggiunti a una ricetta.
- È possibile utilizzare fagioli in scatola precotti in sostituzione dei fagioli secchi.

VERDURE:

- Molte verdure beneficiano di una cottura lenta che ne esalta appieno il sapore. Tendono a non cuocersi in modo eccessivo nella pentola a cottura lenta, come invece avviene nel forno o sul fornello.
- Quando si cucinano ricette con verdure e carne, inserire le verdure nella pentola a cottura lenta prima della carne. Le verdure, di solito, si cuociono più lentamente della carne nella pentola a cottura lenta e traggono beneficio dal fatto di essere parzialmente immerse nel liquido di cottura.
- Per favorire la cottura, mettere le verdure vicino al fondo della ciotola di cottura.

ERBE E SPEZIE:

- Le erbe fresche aggiungono gusto e colore ma devono essere aggiunte alla fine del ciclo di cottura in quanto il loro sapore tende a dissiparsi in caso di tempi di cottura prolungati.
- Erbe e spezie macinate e/o seche sono particolarmente adatte alla cottura lenta e possono essere aggiunte all'inizio.
- La capacità di insaporimento di tutte le erbe e spezie può variare enormemente a seconda della loro particolare intensità e durata di conservazione. Utilizzare le erbe con moderazione, assaggiare alla fine del ciclo di cottura e perfezionare i condimenti appena prima di servire in tavola.

LATTE:

- Latte, panna e panna acida si deteriorano durante la cottura prolungata. Laddove possibile, aggiungere questi ingredienti durante gli ultimi 15-30 minuti di cottura.
- Le minstre condensate possono sostituire il latte e fatte cuocere per un tempo prolungato.

CARNI:

- Rimuovere il grasso, risciacquare bene e asciugare la carne con dei tovaglioli di carta.
- Cuocere prima la carne permette al grasso di essere drenato prima della cottura lenta, oltre ad aumentare l'intensità del sapore.
- La carne va posizionata in modo tale da appoggiarla all'interno della ciotola di cottura senza toccare il coperchio.
- Per tagli di carne più piccoli o più grandi, modificare la quantità di verdure o patate in modo tale che la ciotola sia sempre piena a metà o per tre quarti.
- Le dimensioni della carne e i tempi di cottura consigliati sono solo stime indicative e possono variare a seconda del taglio specifico, del tipo di carne e della struttura ossea. Le carni magre, come il pollo o il filetto di maiale, tendono a cuocere più rapidamente rispetto alle carni con una maggiore quantità di tessuto connettivo e grasso come il carré di manzo o la coppa di maiale. Cucinare carne con l'osso anziché senza osso aumenta il tempo di cottura richiesto.
- Tagliare la carne in pezzi più piccoli quando la si cucina con alimenti precotti come fagioli o frutta, oppure verdure leggere come funghi, cipolla tritata, melanzane o verdure tagliate sottili. In questo modo sarà possibile cuocere tutti gli alimenti alla stessa velocità..

PESCE:

- Il pesce si cuoce rapidamente e va aggiunto al termine del ciclo di cottura, da 15 minuti a un'ora prima della fine.

PULIZIA

Prima della pulizia, scollegare SEMPRE la pentola a cottura lenta dalla presa elettrica e lasciarla raffreddare.

ATTENZIONE: Non immergere mai la base riscaldante, il cavo di alimentazione o la presa in acqua o altro liquido.

Coperchio e pentola in litoceramica possono essere lavati in lavatrice oppure con acqua calda saponata. Non utilizzare detersivi abrasivi o pagliette metalliche. Per rimuovere eventuali residui, di solito è sufficiente uno straccio, una spugna o una spazzolina di gomma. Per rimuovere i segni dell'acqua o altre macchie, utilizzare un detergente non abrasivo o dell'aceto.

Come per qualsiasi altra ceramica delicata, la pentola e il coperchio non sopportano i bruschi sbalzi di temperatura. Non lavare la pentola o il coperchio con acqua fredda quando sono caldi.

L'esterno della base riscaldante può essere pulito con un panno morbido e acqua saponata tiepida. Asciugare con un panno asciutto. Non utilizzare detersivi abrasivi.

Non devono essere eseguiti altri interventi di manutenzione.

NOTA: Dopo la pulizia manuale, far asciugare la pentola all'aria aperta prima di riporla.

GARANZIA

Conservare lo scontrino d'acquisto poiché esso sarà necessario per qualsiasi reclamo esposto in base alle condizioni di questo certificato di garanzia.

Questo prodotto è garantito per 2 anni dall'acquisto, secondo le modalità descritte nel presente documento.

Durante il decorso della garanzia, nell'improbabile eventualità che l'apparecchiatura si guasti a causa di un problema tecnico o di fabbricazione, riportarla al punto d'acquisto insieme allo scontrino fiscale e ad una copia di questo certificato di garanzia.

I diritti spettanti all'acquirente in base alle condizioni di questo certificato di garanzia sono in aggiunta a quelli previsti dalla legge che non risultano alterati dalle condizioni di questo certificato. Solo Jarden Consumer Solutions (Europe) Limited ("JCS (Europe)") ha l'autorità di modificare queste condizioni.

JCS (Europe) si impegna a riparare o a sostituire gratuitamente nell'arco del periodo di garanzia qualsiasi parte dell'apparecchiatura dovesse risultare difettosa, a condizione che:

- Si segnali tempestivamente il problema al punto d'acquisto o a JCS (Europe); e
- l'apparecchiatura non sia stata modificata in alcun modo né soggetta a danni, uso improprio o abuso, a riparazione o alterazione per opera di un tecnico non autorizzato da JCS (Europe).

I guasti intervenuti durante l'uso normale, per uso improprio, danno, abuso, tensione incorretta, cause naturali, eventi non determinati da JCS (Europe), riparazione o alterazione per opera di un tecnico non autorizzato da JCS (Europe) o la mancata ottemperanza alle istruzioni d'uso sono esclusi dalla presente garanzia. Inoltre, l'uso normale compreso, a titolo di esempio, una lieve alterazione del colore (sbiadimento) e i graffi, non sono coperti dalla presente garanzia.

I diritti spettante all'utente ai sensi della presente garanzia si applicano unicamente all'acquirente originale e non si estendono all'uso commerciale o comunitario.

Se l'apparecchiatura è fornita con un accordo specifico per il paese o una cartolina di garanzia, consultare le condizioni di tale accordo, che prevalgono su quelle esposte in questa sede oppure rivolgersi a un rivenditore autorizzato per ulteriori informazioni.

Gli apparecchi elettrici non devono essere smaltiti insieme ai rifiuti domestici. Riciclare laddove esistano appositi impianti. Inviare una e-mail a enquiriesEurope@jardencs.com per ulteriori informazioni sul riciclo e sulla direttiva RAEE.

Jarden Consumer Solutions (Europe) Limited
5400 Lakeside
Cheadle Royal Business Park
Cheadle
SK8 3GQ
United Kingdom



NEDERLANDS

BELANGRIJKE VOORZORGSMAATREGELEN

ZORGVULDIG LEZEN EN BEWAREN VOOR TOEKOMSTIG GEBRUIK

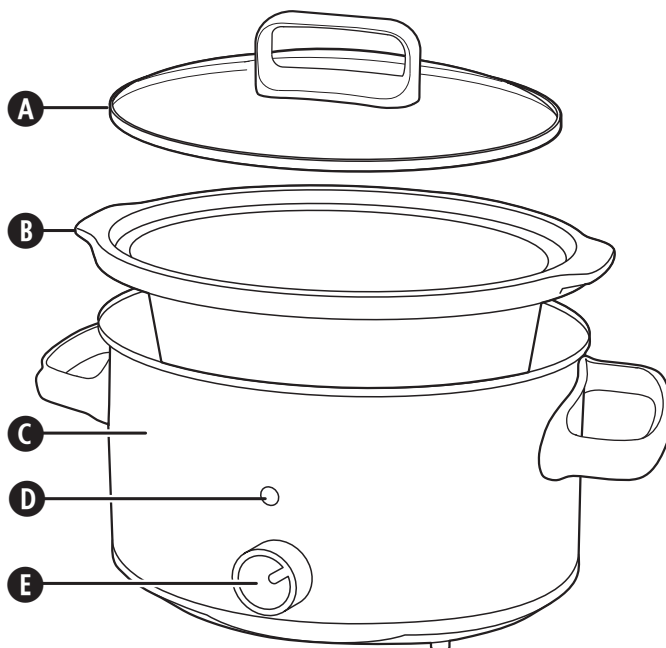
Dit apparaat kan worden gebruikt door kinderen van 8 jaar en ouder en personen met beperkt fysiek, zintuiglijk of mentaal vermogen, of een gebrek aan ervaring en kennis, indien zij voldoende begeleiding of instructies hebben ontvangen over het veilige gebruik van het apparaat en zij de eventuele gevaren ervan begrijpen. Laat kinderen niet met dit apparaat spelen. Reiniging en gebruikersonderhoud mag alleen door kinderen van 8 jaar of ouder (niet jonger) worden uitgevoerd mits onder toezicht van een volwassene. Houd het apparaat en het snoer buiten het bereik van kinderen jonger dan 8 jaar.

 Delen van het apparaat kunnen heet worden tijdens gebruik.

Indien het stroomsnoer is beschadigd, dient dit door de fabrikant, zijn onderhoudsbedrijf of gelijksoortige erkende personen te worden vervangen om gevaren te voorkomen.

Dit apparaat niet gebruiken voor een ander doel dan het bestemde doel. Dit apparaat is uitsluitend voor huishoudelijk gebruik. Het is niet geschikt voor gebruik buiten.

- Dit apparaat geeft warmte af tijdens gebruik. Er dienen afdoende maatregelen te worden getroffen om het risico van brandwonden, brand of ander persoonlijk letsel of beschadiging van eigendommen te voorkomen door aanraking van de buitenkant van het apparaat tijdens gebruik of afkoelen.
- Altijd zorgen dat uw handen droog zijn alvorens de stekker in het stopcontact te steken of te verwijderen of het apparaat aan te zetten.
- Altijd zorgen dat het apparaat op een stabiel, stevig, droog en plat oppervlak staat.
- Dit apparaat mag niet op of in de buurt van oppervlakken worden geplaatst die heet kunnen worden (zoals een fornuis).
- Het apparaat niet gebruiken als het is gevallen of zichtbare beschadiging of lekkages vertoont.
- Na gebruik, alvorens het apparaat te reinigen, altijd controleren of het apparaat is uitgeschakeld en de stekker uit het stopcontact is verwijderd.
- Het apparaat altijd goed laten afkoelen voordat dit wordt gereinigd of opgeborgen.
- Geen enkel deel van het apparaat of het stroomsnoer onderdompelen in water of een andere vloeistof.
- Het stroomsnoer nooit over de rand van een werkblad of aanrecht laten hangen, in aanraking laten komen met hete oppervlakken, of in de knoop, vast of bekneld laten raken.
- Raak de buitenkant van het apparaat tijdens gebruik niet aan; de oppervlakken kunnen erg heet worden. Gebruik ovenwanten of een theedoek om het deksel te verwijderen. Pas op voor de hete stoom die ontsnapt wanneer het deksel wordt verwijderd.
- Verwarm NOOIT voedsel direct op de binnenkant van de behuizing van het apparaat. Gebruik altijd de verwijderbare schaal.
- Sommige oppervlakken zijn niet bestand tegen de langdurige warmte die bepaalde apparaten genereren. Zet het apparaat niet op een oppervlak dat niet hittebestendig is. U wordt aanbevolen het apparaat op een warmtebestendige onderzetter of houder te zetten om mogelijke beschadiging van het oppervlak te voorkomen.
- Het deksel van de slowcooker is vervaardigd uit verhard glas. Controleer het deksel altijd op glasschiffers, barsten en andere beschadiging. Gebruik het deksel niet als dit is beschadigd, aangezien het tijdens gebruik kan verbrijzelen.



ONDERDELEN

- A** Deksel
- B** Aardewerken schaal
- C** Behuizing met verwarmingselement
- D** Aan/uit-lampje
- E** Keuzeknop

ALVORENS GEBRUIK

Verwijder alle verpakking van uw Crock-Pot® slowcooker, spoel het deksel en de aardewerken schaal om in warm water met afwasmiddel en droog alles goed af voordat u het apparaat gaat gebruiken. **VOORZICHTIG:** Dompel de behuizing met het verwarmingselement, het stroomsnoer en de stekker nooit onder in water of een andere vloeistof.

BELANGRIJK: Sommige oppervlakken van aanrechten en tafels zijn niet bestand tegen de langdurige warmte die bepaalde apparaten genereren. Plaats de verwarmde slowcooker niet op een warmtegevoelig oppervlak. Plaats het apparaat op een onderzetter of houder om beschadiging van het oppervlak te voorkomen.

Wees voorzichtig wanneer u aardewerk op een keramische of glazen kookplaat, aanrecht, tafel of ander oppervlak zet. De groffe bodem van het aardewerk kan op sommige oppervlakken krassen veroorzaken als er niet voorzichtig te werk wordt gegaan. Zet aardewerk serviesgoed altijd op een houder of onderlegger op uw tafel of aanrecht.

Bij het eerste gebruik van dit apparaat kan enige rook of geur merkbaar zijn. Dit komt vaak voor bij apparaten met verwarmingselementen en verdwijnt nadat het apparaat een paar keer is gebruikt.

UW SLOWCOOKER GEBRUIKEN

1. Plaats de aardewerken schaal in de behuizing met het verwarmingselement, voeg uw ingrediënten aan de schaal toe en sluit het deksel.
2. Steek de stekker van de slowcooker in een stopcontact en zet de keuzeknop op de hoge (III) of lage (II) kooktemperatuur.
OPMERKING: De instelling voor warmhouden (I) is UITSLUITEND voor het warmhouden van voedsel dat al is gekookt en warm is. Gebruik deze instelling NIET om te koken. U wordt afgeraden om uw voedsel langer dan 4 uur warm te houden met de instelling voor warmhouden (I).
3. Als het gerecht klaar is, verwijdert u de stekker uit het stopcontact. Laat de schaal afkoelen voordat u deze afwast.

OPMERKINGEN VOOR GEBRUIK

- Indien gewenst kunt u uw slowcooker handmatig omschakelen naar de instelling voor warmhouden (I) als uw gerecht klaar is.
- Vul de schaal ongeveer tot de helft of driekwart en volg de aanbevolen kooktijden om te voorkomen dat uw gerecht ongaar of juist te gaar is.
- Maak de schaal niet te vol. Maak de schaal niet meer dan driekwart vol om te voorkomen dat het gerecht overkookt.
- Zet altijd het deksel op de schaal tijdens het koken en kook het gerecht de aanbevolen tijdsduur. Neem het deksel in de eerste twee uur van het koken niet van de schaal, zodat het gerecht efficiënt wordt verwarmd.
- Gebruik altijd een ovenwant als u het deksel of de schaal moet aanraken.
- Verwijder de stekker uit het stopcontact als het gerecht klaar is en voordat u de schaal gaat reinigen.
- De verwijderbare schaal en het deksel zijn ovenvast. Gebruik de aardewerken schaal niet op een gasplaat, elektrische plaat of onder de grill.

ALGEMENE KOOKTIPS

- Verwijder vetranden van vlees en dep het vlees goed droog. (Als het vlees vet heeft, moet u dit eerst aanbraden en dan goed laten uitlekken.) Breng de schotel op smaak met peper en zout. Leg het vlees bovenop de groenten in de schaal.
- Voor braad- en stoofschotels giet u de vloeistof over het vlees. Gebruik niet meer vloeistof dan in het recept wordt aangegeven. Bij het stoven met de slowcooker behouden en vlees en groenten meer vloeistof dan tijdens normaal koken.
- De meeste groenten moeten in dunne plakjes worden gesneden of tegen de zijkanten of op de bodem van de aardewerken schaal worden gelegd. In een slowcooker wordt vlees over het algemeen sneller gaar dan groente.
- Ongesneden kruiden (bladeren) geven de beste en volste smaak aan stoofschotels.
- Aangezien de bodem van de schaal niet direct wordt verhit, moet de aardewerken schaal altijd minstens voor de helft worden gevuld om gedurende de aanbevolen kooktijd te kunnen stoven. U kunt wel kleinere hoeveelheden bereiden, maar u moet de kooktijd dan wellicht aanpassen.
- Een specifieke vloeistof uit een recept kan worden vervangen door een gelijke hoeveelheid van een andere vloeistof. U kunt bijvoorbeeld een blikje tomaten gebruiken in plaats van een blikje soep, of een kopje bouillon in plaats van een kopje wijn.
- Bonen moeten eerst volledig zacht worden gemaakt voordat ze met suiker en/of zure voedingswaren worden gemengd. (OPMERKING: Suiker en zuur verharderen de bonen en voorkomen dat ze kunnen verzachten.)

RECEPTEN AANPASSEN

Aan de hand van de volgende tips kunt u uw eigen en andere recepten aanpassen om in uw slowcooker te bereiden. Bij gebruik van uw slowcooker hoeven veel van de normale voorbereidingen niet te worden uitgevoerd. In de meeste gevallen kunnen alle ingrediënten tegelijk aan de schaal in uw slowcooker worden toegevoegd en de hele dag stoven. Algemeen:

- Zorg dat u uw gerecht voldoende kooktijd geeft.
- Kook altijd met het deksel op de schaal.
- Onze recepten lijken slechts weinig vloeistof te bevatten, maar het koken in een slowcooker verschilt van andere kookmethoden in zoverre dat de toegevoegde hoeveelheid vloeistof tijdens het koken vrijwel verdubbelt. Als u dus een recept wilt aanpassen om dit in uw slowcooker te bereiden, verminder dan de hoeveelheid vloeistof die u normaal zou gebruiken.

KOOKTIJD RECEPT	KOKEN OP 'LOW'	KOKEN OP 'HIGH'
15 tot 30 minuten	4 tot 6 uur	1½ tot 2 uur
30 tot 45 minuten	6 tot 10 uur	3 tot 4 uur
50 minuten tot 3 uur	8 tot 10 uur	4 tot 6 uur

PASTA EN RIJST:

- Als er vermicelli, pasta, macaroni enz. aan een gerecht moet worden toegevoegd, kookt u deze eerst op uw fornuis tot ze iets zacht zijn en voegt u ze in de laatste 30 minuten aan het gerecht in uw slowcooker toe. Voor gerechten met rijst mengt u de rijst met de overige ingrediënten en voegt u voor elk ¼ kopje rijst ¼ kopje extra vloeistof toe. Rijst met lange korrel geeft betere resultaten.

BONEN:

- Bonen moeten helemaal zacht gemaakt worden voordat ze gecombineerd worden met suiker en/of zure gerechten. Suiker en zuur hebben een verhardend effect op bonen en voorkomen dat ze zacht worden.
- Gedroogde bonen, vooral rode kievitsbonen, moeten gekookt worden voordat ze aan een recept worden toegevoegd.
- Volledig gare bonen uit blik kunnen gebruikt worden ter vervanging van droge bonen

GROENTEN:

- Veel groenten profiteren van slowcooking, waarbij hun volle smaak tot zijn recht komt. In uw slowcooker worden ze meestal niet doorgekookt, zoals wel kan gebeuren in de oven of op het fornuis.
- Als u recepten bereidt met zowel groenten als vlees, leg dan de groenten vóór het vlees in de slowcooker. Over het algemeen koken groenten langzamer dan vlees in de slowcooker.
- Leg groenten onder in de schaal voor het beste resultaat.

KRUIDEN EN SPECERIJEN:

- Verse kruiden voegen smaak en kleur toe, maar dienen pas aan het eind van de bereidingstijd toegevoegd te worden, aangezien de smaak tijdens lange kooktijden vervliegt.
- Gemalen en/of gedroogde kruiden en specerijen zijn bij uitstek geschikt voor slowcooking. Ze kunnen aan het begin van de bereidingstijd worden toegevoegd.
- De smaakkracht van kruiden en specerijen kan aanzienlijk variëren, afhankelijk van hun specifieke sterkte en de houdbaarheidsperiode. Wees voorzichtig met kruiden: proef eerst aan het eind van de bereidingstijd en breng het gerecht pas vlak voor het opdienen op smaak.

MELK:

- Melk, room en zure room kunnen schiften tijdens lange bereidingstijden. Indien mogelijk, pas toevoegen in de laatste 15 tot 30 minuten van de bereidingstijd.
- Gecondenseerde soep kan als vervanging voor melk dienen en kan gedurende langere tijden koken.

VLEES:

- Vet wegsnijden, goed afspoelen en het vlees droogdeppen met keukenpapier.
- Vlees kan eerst worden aangebraden. Dit geeft een vollere smaak en biedt tevens het voordeel dat olie of vet kan worden afgegoten voordat u gaat stoven.
- Vlees moet zodanig in de schaal worden gelegd dat dit het deksel niet raakt.
- Voor kleinere of grotere stukken vlees dient u de hoeveelheid groenten of aardappels aan te passen, zodat de schaal altijd tussen de helft en driekwart is gevuld.
- De grootte van het vlees en de aanbevolen bereidingstijden zijn slechts gemiddelden en kunnen variëren, afhankelijk van het specifieke stuk vlees, het soort vlees en de botstructuur. Mager vlees, zoals kip of varkenshaas, is meestal eerder gaar dan vlees met meer bindweefsel en vet, zoals runderlappen of varkenschouder. Bereiding van vlees aan het bot in plaats van zonder bot verlengt de bereidingstijd.
- Snijd vlees in kleine stukjes wanneer het tegelijkertijd bereid wordt met voorgekookte producten, zoals bonen of fruit, of lichte groentes, zoals champignons, gehakte ui, aubergine of fijngesneden groente. Op deze manier is al het voedsel tegelijkertijd gaar.

VIS:

- Vis kookt sneller en moet pas aan het einde van de kooktijd worden toegevoegd, d.w.z. tijdens de laatste vijftien minuten tot een uur.

RECEPTEN

Kijk voor meer recepten op www.itmonline.nl

Knolgroentesoep voor 4 personen

150 gram wortelen, geschild en in stukken van ongeveer 5 cm gesneden
150 gram knolselderij, geschild en in stukken van ongeveer 5 cm gesneden
150 gram prei, gewassen en in ringen van ongeveer 5 cm dik gesneden
300 gram koolraap, geschild en in stukken van ongeveer 5 cm gesneden
1 ui, gesnipperd
800 ml groentebouillon van goede kwaliteit
2 laurierbladeren
Peper en zout

1. Voeg alle ingrediënten toe aan de schaal.
2. Kook gedurende 6 tot 7 uur op de lage stand (Low) of 4 tot 5 uur op de hoge stand (High).
3. Laat de schaal afkoelen en giet de soep dan in een blender. Pureer de soep tot de gewenste dikte is verkregen. Of giet het mengsel in een geschikte schaal en gebruik een staafmixer.
4. Serveer de soep dampend warm met wat crème fraîche en gesneden bieslook.

Runderstoofpot voor 4-5 personen

1 runderborststuk van 750 gram
1 ui, in vieren gesneden
1 prei, in plakken gesneden
1 wortelen, in de lengte doormidden en dan in stukken van 4 cm gesneden
½ middelgrote koolraap, in blokken gesneden
200 ml runderbouillon
15 gram tomatenpuree
2 laurierbladeren
Peper en zout

1. Voeg de gesneden groenten toe aan de aardewerken schaal en leg hier het runderborststuk op.
2. Vermeng de bouillon met de tomatenpuree. Giet dit mengsel over het rundvlees en voeg de laurierbladeren toe.
3. Kook gedurende 7 tot 8 uur op de lage stand (Low) of 5 tot 6 uur op de hoge stand (High) tot het vlees en de groenten gaar zijn.

4. Het vocht van het vlees maakt een heerlijke jus. Als u de jus wilt indikken, mengt u iets maïsmeeel in wat koud water en roert u dit goed door de jus.
 5. Serveer het vlees in dikke plakken met aardappelpuree en savooienkool met boter.
-

Mediterrane gestoofde lamsschenkel voor 4 personen

15 ml plantaardige olie
4 kleine lamsschenkels
1 grote rode ui, grof gesneden
2 teentjes knoflook, fijngehakt
400 gram blik gehakte tomaten
1 wortelen, gesneden
15 gram grof gesneden verse oregano of 10 gram gedroogde oregano
250 ml rode wijn
30 gram tomatenpuree

1. Verwarm een geschikte koekenpan tot deze goed heet is, voeg de olie toe en sauteer de lamsschenkels tot deze aan alle kanten gebruid zijn.
 2. Leg de lamsschenkels in de aardewerken schaal, voeg de overige ingrediënten toe en roer alles goed door.
 3. Plaats het deksel en kook gedurende 8 tot 9 uur op de lage stand (Low) of 6 tot 7 uur op de hoge stand (High).
 4. Indien gewenst kunt u de saus indikken met een mengsel van water met een weinig maïsmeeel. Serveren met geroosterde knolgroenten en couscous.
-

Apple crumble met stukjes noot voor 4 personen

150 gram bloem
50 gram gerolde havermout
100 gram lichte basterdsuiker
3 gram fijngemalen kaneel
2 gram fijngemalen nootmuskaat
Een mespuntje zout
150 gram boter, in blokjes gesneden
125 gram gehakte walnoten
50 gram basterdsuiker (of naar smaak)
20 gram maïsbloem
2,5 gram gemalen gember
2,5 gram fijngemalen kaneel
800 gram kookappels, geschild, ontklokt en in plakken gesneden
30 ml citroensap

1. Gebruik een grote mengkom en voeg hier de bloem, basterdsuiker, havermout en het zout aan toe. Voeg hier nu de blokjes boter aan toe en meng dit met uw vingers tot er een kruimelig mengsel ontstaat. Roer de fijngehakte walnoten door het mengsel en zet de kom terzijde.
2. Zet één lepel basterdsuiker apart en giet de rest ervan samen met het kaneel en de nootmuskaat in een kleine kom.
3. Leg de bereide appels in lagen in de aardewerken schaal en besprenkel elke laag met het mengsel van suiker en kruiden.
4. Meng de laatste lepel basterdsuiker met maïsmeeel en citroensap en giet dit over de bovenste laag appels.
5. Strooi hier het kruimeldeeg overheen, sluit het deksel en zet de slowcooker gedurende 4 tot 5 uur op de lage stand (Low) of 2 tot 3 uur op de hoge stand (High), of tot de appels zacht zijn.
6. Als de kooktijd is verlopen, opent u het deksel voor de helft en laat u het kruimeldeeg in ongeveer 30 minuten stevig worden. Serveren met vanille-ijs of warme romige custardvla.

REINIGEN

Verwijder ALTIJD de stekker uit het stopcontact en laat het apparaat afkoelen voordat u de slowcooker reinigt.

VOORZICHTIG: Dompel de behuizing met het verwarmingselement, het stroomsnoer en de stekker nooit onder in water of een andere vloeistof.

Het deksel en de aardewerken schaal kunnen worden afgewassen in een vaatwasmachine of in warm water met afwasmiddel. Gebruik geen schuurmiddelen of schuurponsjes. Voedselresten kunnen gewoonlijk met een doekje, sponsje of rubber spatel worden verwijderd. Verwijder water- en andere vlekken met een niet schurend reinigingsmiddel of met azijn.

Net als met ander aardewerk zijn de schaal en het deksel niet bestand tegen plotselinge temperatuurverschillen. Was schaal en deksel niet in koud water af als ze nog heet zijn.

De buitenkant van de behuizing kan worden gereinigd met een zachte doek die is bevochtigd met warm water en afwasmiddel. Droog het oppervlak. Gebruik geen schuurmiddelen.

Er kan geen ander onderhoud worden uitgevoerd.

OPMERKING: Als het aardewerk met de hand wordt gereinigd, laat dit dan eerst luchtdrogen voordat u het opbergt.

GARANTIE

Bewaar uw aankoopbewijs, voor het geval u aanspraak wilt maken op deze garantie.

Op dit apparaat wordt garantie gegeven voor 2 jaar vanaf de aankoopdatum, zoals beschreven in dit document.

In het onwaarschijnlijke geval dat het apparaat gedurende deze garantieperiode niet meer functioneert als gevolg van een ontwerp- of fabricagefout, kunt u het terugbrengen naar de winkel waar u het hebt gekocht, samen met uw aankoopbewijs en een kopie van deze garantie.

De rechten en baten van deze garantie vormen een aanvulling op uw wettelijke rechten, die niet door deze garantie worden beïnvloed. Alleen Jarden Consumer Solutions (Europe) Limited ("JCS (Europe)") behoudt het recht deze voorwaarden te wijzigen.

JCS (Europe) verplicht zich binnen de garantieperiode het apparaat of een onderdeel van het apparaat dat niet goed werkt gratis te repareren of te vervangen, op voorwaarde dat:

- u de winkel of JCS (Europe) direct op de hoogte brengt van het probleem; en dat
- het apparaat niet op welke manier dan ook is aangepast of te lijden heeft gehad van schade, verkeerd gebruik, misbruik, reparatie of aanpassing door een persoon die daartoe niet is gemachtigd door JCS (Europe).

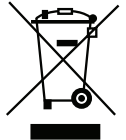
Storingen die optreden als gevolg van onjuist gebruik, schade, misbruik, gebruik met het verkeerde voltage, natuurrampen, gebeurtenissen die buiten de macht van JCS (Europe) vallen, reparatie door een persoon die daartoe niet is gemachtigd door JCS (Europe) of het niet opvolgen van de gebruiksinstructies, vallen niet onder deze garantie. Bovendien valt normale slijtage, inclusief maar niet beperkt tot lichte verkleuring en krassen, niet onder deze garantie.

De rechten onder deze garantie zijn alleen van toepassing op de oorspronkelijke koper en kunnen niet worden uitgebreid naar commercieel of algemeen gebruik.

Als uw apparaat onder een landspecifieke garantie valt, raadpleegt u de voorwaarden van die garantie in plaats van deze garantie, of neemt u contact op met uw lokale erkende dealer voor meer informatie.

Afgedankte elektrische producten mogen niet bij het huishoudelijk afval worden gegooid. Maak indien mogelijk gebruik van recyclemogelijkheden. E-mail ons op enquiriesEurope@jardencs.com voor meer recycling- en WEEE-informatie.

Jarden Consumer Solutions (Europe) Limited
5400 Lakeside
Cheadle Royal Business Park
Cheadle
SK8 3GQ
United Kingdom



SVENSKA VIKTIGA SÄKERHETSÅTGÄRDER

LÄS NOGA OCH SPARA DEM OM DU BEHÖVER LÄSA DEM IGEN

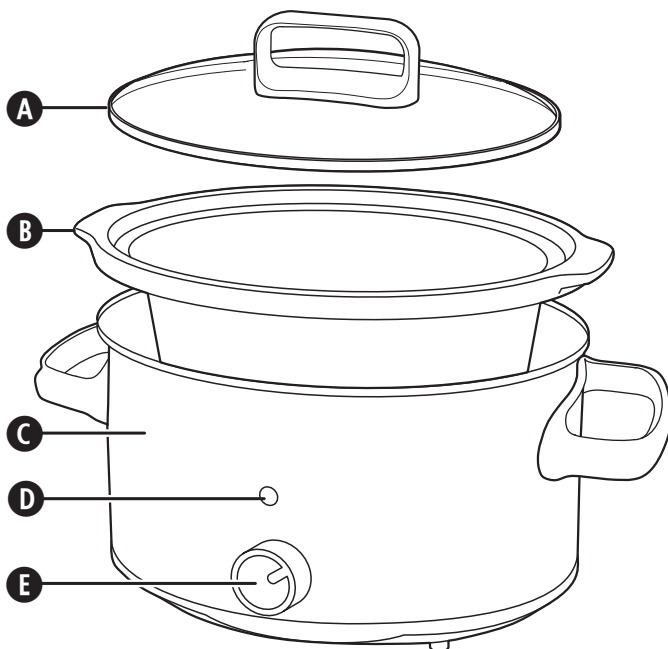
Denna apparat kan användas av barn från 8 års ålder och av personer med nedsatt fysisk, sensorisk eller mental kapacitet eller brist på erfarenhet och kunskap om de har fått handledning eller anvisningar om hur apparaten används på ett säkert sätt och förstår riskerna som är involverade. Barn får inte leka med denna apparat. Rengöring och användarunderhåll får endast utföras av barn om de är minst 8 år gamla och övervakas av en vuxen. Förvara apparaten och dess sladd utom räckhåll för barn under 8 år.

 Delar av apparaten kan bli heta vid användning.

Om nätsladden skadas måste den bytas ut av tillverkaren, dennes serviceombud eller en person med liknande kvalifikationer för att undvika risker.

Använd aldrig denna apparat till någonting annat än det som den är avsedd för. Denna apparat är endast avsedd för hushållsanvändning. Apparaten får inte användas utomhus.

- Denna apparat producerar värme under användning. Tillräcklig försiktighet måste iaktas för att förhindra risken för brännskador, skällningsskador, bränder eller andra skador på personer eller egendom som orsakas av att apparatens utsida vidrörs medan den är i bruk eller håller på att svalna.
- Se alltid till att dina händer är torra innan du hanterar stickkontakten eller slår på apparaten.
- Använd alltid apparaten på ett stabilt, säkert, torrt och jämnt underlag.
- Apparaten får inte placeras på eller i närheten av underlag som kan vara varma (t.ex. håll/platta på en gas- eller elspis).
- Använd inte apparaten om den har blivit tappad, om det finns synliga tecken på skador eller om den läcker.
- Se till att apparaten är avstängd och att sladden är utdragen ur eluttaget efter användning och före rengöring.
- Låt alltid apparaten svalna före rengöring eller förvaring.
- Doppa aldrig någon del av apparaten eller nätsladden och kontakten i vatten eller någon annan vätska.
- Låt aldrig nätsladden hänga över kanten på en arbetsbänk, vidröra varma underlag eller bli snodd, fastna eller bli klämd.
- Vidrör inte apparatens utsida under användning eftersom den kan bli mycket varm. Använd ugnsvantar eller grytlapp när du tar bort locket. Se upp för het ånga när du lyfter av locket.
- Försök ALDRIG att värma upp mat direkt inne i basenheten. Använd alltid den löstagbara grytan.
- Vissa ytor är inte utformade för att motstå den långvariga hetta som vissa apparater kan avge. Placera inte apparaten på en yta som kan skadas av hetta. Vi rekommenderar att du ställer apparaten på en isolerande platta eller ett grytunderlägg för att förhindra eventuella skador på ytan.
- Långsamkokarens lock är tillverkat av härdat glas. Kontrollera alltid locket och titta efter skärvor, sprickor eller andra skador. Använd inte glaslocket om det är skadat, eftersom det då kan splittras vid användning.



DELAR

- A** Lock
- B** Innerskål av stengods
- C** Uppvärmningsbas
- D** Strömlampa
- E** Väljare för inställning

FÖRBEREDA FÖR ANVÄNDNING

Innan du använder Crock-Pot®-långsamkokaren ska du ta bort all förpackning och diska locket och innerskålen av stengods i varmt vatten och diskmedel och torka dem ordentligt. **VAR FÖRSIKTIG:** Doppa aldrig uppvärmningsbasen, sladden eller kontakten i vatten eller någon annan vätska.

OBS! Vissa diskbänks- och bordsytor är inte utformade för att motstå den långvariga hetta som vissa apparater kan avge. Placera inte en uppvärmd enhet på en värmekänslig yta. Vi rekommenderar att ett grytunderlägg eller liknande läggs under din Slow Cooker för att förhindra eventuella skador på underlaget.

Var försiktig när du placerar innerskålen av stengods på en spis med keramisk häll eller diskbänkar, bord eller andra ytor av keramik eller glas. På grund av stengodsets natur kan den skrovliga ytan på undersidan repa vissa ytor om man inte är försiktig. Placera alltid underlägg under innerskålen av stengods innan du placerar den på ett bord eller diskbänken.

En mindre mängd rök eller lukt kan upplevas vid första användningen av den här produkten. Detta är normalt hos många uppvärmda produkter och försvinner efter ett par användningstillfällen.

SÅ HÄR ANVÄNDER DU LÅNGSAMKOKAREN

1. Placera innerskålen av stengods i uppvärmningsbasen, lägg ingredienserna i innerskålen av stengods och sätt på locket.
2. Koppla in långsamkokaren och sätt väljaren för inställningen till hög (☰) eller låg (☷) tillagningstemperatur.
OBS! Värmeläget (☞) är ENDAST till för varmhållning av mat som redan har tillagats. Tillaga INTE i värmeläget. Vi rekommenderar att värmeläget inte används i mer än 4 timmar.
3. Dra ut sladden ur eluttaget när maten är klar och låt apparaten svalna innan du rengör den.

INFORMATION OM ANVÄNDNING

- Efter tillagningen kan du vid behov övergå manuellt till värmeläget.
- Undvik under- eller övertillagning genom att alltid fylla innerskålen av stengods till mellan $\frac{1}{2}$ och $\frac{3}{4}$ och följa den rekommenderade tillagningstiden.
- Fyll inte på för mycket. Förhindra att vätska rinner över genom att inte fylla på mer än till $\frac{3}{4}$.
- Tillaga alltid maten med locket på och under den rekommenderade tiden. Ta inte bort locket under de två första timmarna av tillagningen, så att innerskålen hinner bli tillräckligt varm.
- Använd alltid ugnsvantar när du handskas med locket eller innerskålen av stengods.
- Dra ut kontakten när maten är klar och innan du rengör långsamkokaren.
- Innergrytan av stengods och locket är ugnsfast. Använd inte den löstagbara innerskålen av stengods på en gaslåga eller elspis eller under ett grillelement.

TIPS OCH TRICK FÖR TILLAGNINGEN

- Ansa bort fett och torka av köttet ordentligt för att ta bort rester. (Om köttet innehåller fett ska du bryna det i innerskålen och hålla av fettet.) Krydda med salt och peppar. Placera köttet ovanpå grönsakerna i innerskålen.
- Häll vätska över köttet när du tillagar grytstek och grytor. Använd aldrig mer vätska än vad som anges i receptet. Köttet och grönsakerna behåller mer av sin saftighet under långsamkokning än under vanlig tillagning.
- De flesta grönsakerna bör vara tunt skivade eller placerade längs sidorna eller på botten av innerskålen av stengods. Kött tillagas i allmänhet snabbare än grönsaker i långsamkokare.
- Använd hela örter och kryddor för att få ut den bästa och rikaste smaken vid långsamkokning.
- Eftersom det inte finns någon direkt värme i botten ska du alltid fylla innerskålen av stengods till minst hälften för att kunna hålla de rekommenderade tiderna. Du kan tillaga mindre mängder, men det kan påverka tillagningstiden.
- Du kan använda en annan vätska än den som står i receptet så länge du använder samma mängd. Du kan till exempel byta ut en burk soppa mot en burk tomater eller 1 dl kött- eller kycklingbuljong mot 1 dl vin.
- Bönor måste vara helt mjuka innan du kan kombinera dem med socker och/eller sura livsmedel. (OBS! Socker och syra gör bönor hårdare och förhindrar att de blir mjuka.)

SÅ HÄR ANPASSAR DU RECEPT

Det här avsnittet är till för att hjälpa dig anpassa dina egna eller andra recept för din långsamkokare. Många av de vanliga förberedelsestegen behövs inte när du använder din långsamkokare. Du kan nästan alltid lägga i alla ingredienser på en gång i din långsamkokare och tillaga dem hela dagen. Allmänna riktlinjer:

- Tillåt tillräcklig tillagningstid.
- Tillaga maten med locket på.
- För bästa resultat och för att förhindra att maten kokar torr eller bränns vid, bör man alltid se till att en lämplig mängd vätska används i receptet.
- Voor de beste resultaten en om te voorkomen dat het gerecht te droog wordt of aanbrandt, moet u ervoor zorgen dat er altijd voldoende vloeistof aan het recept wordt toegevoegd.

- Det kan verka som om att våra recept endast innehåller en liten mängd vätska, men den långsamma tillagningsprocessen skiljer sig från andra tillagningsmetoder eftersom vätskemängderna i receptet nästan fördubblas under tillagningstiden. Om du försöker anpassa ett recept till långsamkokaren ska du således minska vätskemängden innan du påbörjar tillagningen.

TID ENLIGT RECEPTET	LÅG KOKTEMPERATUR	HÖG KOKTEMPERATUR
15–30 minuter	4 - 6 timmar	1½ - 2 timmar
30 - 45 minuter	6 - 10 timmar	3 - 4 timmar
50 minuter till 3 timmar	8 - 10 timmar	4 - 6 timmar

PASTA OCH RIS:

- Om receptet innehåller nudlar, makaroner etc. ska du tillaga dessa på en vanlig spis tills de mjuknar något och sedan överföra dem till långsamkokaren för ytterligare 30 minuters tillagning. Om du använder ris ska du omröra det tillsammans med de andra ingredienserna och tillsätta en ¼ kopp extra vätska för varje ¼ kopp ris. Du erhåller det bästa resultatet med långkornigt ris.

BÖNOR:

- Bönor måste vara helt mjuka innan de blandas med socker och/eller syrliga ingredienser. Socker och syra gör att bönorna blir hårda och förhindrar att de mjuknar.
- Torkade bönor, särskilt röda trädgårdsbönor, ska kokas innan de används i ett recept.
- Det går också bra att använda färdigkokta bönor på burk i stället för torkade bönor.

GRÖNSAKER:

- Många grönsaker blir extra goda när de tillagas långsamt då detta ofta framhäver dess fulla smak. Grönsakerna överkokas inte lika lätt i din låghastighetskokare som de kan göra i ugnen eller på spisen.
- Om man tillagar maträtter som innehåller både grönsaker och kött lägger man i grönsakerna i kokaren innan köttet. Grönsaker tar ofta längre tid att tillaga i låghastighetskokaren än kött.
- Lägg grönsaker nära grytans botten för att underlätta tillagningen.

ÖRTER OCH KRYDDOR:

- Färska örter ger smak och färg men bör tillsättas mot slutet av tillagningen eftersom smaken kan försvinna om de får ligga i alltför länge.
- Malda och/eller torkade örter och kryddor fungerar däremot bra för långsam tillagning och kan läggas in från första början.
- Hur mycket örter och kryddor smakar varierar mycket beroende på hur starka de är och hur gamla de är. Använd örter sparsamt och provsmaka mot slutet av tillagningen och justera kryddningen strax innan maten ska serveras.

MJÖLK:

- Mjolk, grädde och crème fraîche kan skära sig vid alltför långa koktider. Tillsätt därför dessa under de sista 15 till 30 minuterna av tillagningen om möjligt.
- Soppkoncentrat kan användas i stället för mjölk och klarar av långa koktider.

KÖTT:

- Putsa bort fett och torka av köttet noga med hushållspapper.
- Om du bryner köttet före långkokningen smälter en del av fett ut, och smaken blir rikare.
- Kött ska ligga i grytan utan att nudda locket.
- Anpassa mängden grönsaker eller potatis efter storleken på köttstycket så att grytan alltid är fylld till mellan hälften och tre fjärdedelar.
- Köttbitarnas storlek och de rekommenderade tillagningstiderna är bara ungefärliga och kan variera beroende på hur köttet är tillskuret, vilken typ av kött det är, om det innehåller ben, etc. Magert kött som t.ex. kyckling eller fläskfilé brukar tillagas snabbare än kött med mer bindväv och fett som t.ex. grytkött eller fläskbög. Om man tillagar köttet med eller utan ben påverkar också tillagningstiden.
- Skär köttet i mindre bitar om det ska tillagas med förkokta ingredienser som t.ex. bönor eller frukt, lätta grönsaker som champinjoner, hackad lök, aubergine eller finhackade grönsaker. På så sätt kan alla ingredienser tillagas lika snabbt.

FISK:

- Fisk kokar snabbt och skall tillsättas i slutet av koktiden, under de sista femton till sextio minuterna.

RECEPT

Mer inspiration och recept får du på vår hemsida www.crockpot.se

Rotfruktssoppa 4 portioner

150 g morötter, skalade och skurna i ca 5 cm stora bitar
150 g rotselleri, skalad och skuren i ca 5 cm stora bitar
150 g purjolök, ansad, sköljd och skuren i ca 5 cm stora bitar
300 g kålrot, skalad och skuren i ca 5 cm stora bitar
1 liten lök, tärnad
800 ml grönsaksbuljong av god kvalitet
1 lagerblad
Kryddor

1. Lägg alla ingredienser i stengodsgrytan och sätt på locket.
2. Tillaga på låg värme i 6–7 timmar eller hög i 4–5 timmar.
3. Låt svalna något innan du tar ur lagerbladet och för över soppan till en mixerbägare. Blanda till önskad konsistens. Alternativt kan du föra över soppan till ett kärl som är lämpligt för handmixning.
4. Servera med en klick crème fraiche och klippt gräslök.

Enkel grytstek av nötkött 4–5 portioner

750 g mager nötbringa
1 msk vegetabilisk olja
1 rödlök, skalad och hackad
1 morot, skalad och hackad
1 selleristjälk, sköljd och hackad
En halv liten butternutpumpa, skalad, urkärnad och grovt hackad
200 ml varm köttbuljong av god kvalitet
2 lagerblad
5 g färsk, hackad timjan

1. Värm upp en lämplig stekpanna. Häll i oljan och bryn bringan.
2. Tillsätt de preparerade grönsakerna i stengodsgrytan. Se till att de är skurna i ungefär samma storlek (så att de blir jämnt tillagade).
3. Placera den brynta bringan ovanpå grönsakerna.
4. Häll över köttbuljongen och tillsätt lagerblad och timjan. Sätt på locket.
5. Tillaga på låg värme i 7–8 timmar eller hög i 5–6 timmar.
6. Ta ur steken och servera i tjocka skivor med krämigt potatismos och de långkokta grönsakerna.

Bräserat lammlägg på medelhavsvis 4 portioner

1 msk vegetabilisk olja
4 små lammlägg
1 stor rödlök, grovhackad
1 medelstor morot, skalad och hackad
2 vitlöksklyftor, hackade
400 g krossade tomater
15 g grovhackad färsk oregano eller 10 g torkad oregano
2,5 dl rödvin
30 g tomatpuré

1. Värm upp en lämplig stekpanna, håll i oljan och fräs lammläggen tills alla sidor är brynta.
2. Lägg i lammet i stengodsgrytan, tillsätt övriga ingredienser och rör om väl så att allt blandas.
3. Lägg på locket och tillaga på låg värme i 8–9 timmar eller hög i 6–7 timmar.
4. Om det behövs kan du reda såsen med lite majsmjöl blandat med vatten. Servera tillsammans med rostade rotfrukter och couscous.

Nötig äppelsmulpaj 4 portioner

2,5 dl vetemjöl
Drygt 1,5 dl havregryn
1,25 dl ljust farinsocker
3 g malen kanel
2 g malen muskotnöt
150 g smör, tärnat
250 g hackade valnötter
Drygt 1 dl strösocker, eller enligt smak
1/3 dl majsmjöl
2,5 g malen ingefära
2,5 g malen kanel
800 g matäpplen – skalade, urkärnade och skivade
30 ml citronsaft

1. Häll mjöl, farinsocker, havregryn och kryddor i en stor bunke. Tillsätt det tärnade smöret och blanda med fingrarna tills en grymig massa bildas. Blanda i de hackade valnötterna och ställ åt sidan.
2. Spara en matsked strösocker och blanda resten av sockret, kanel och ingefära i en liten bunke.
3. Lägg de preparerade äpplena i stengodsgrytan i lager, och strö socker- och kryddblandningen över varje lager.
4. Blanda det sparade sockret, majsmjölet och citronsaften, och håll över det översta lagret äpplen.
5. Täck med smulblandningen, sätt på locket och tillaga på låg värme i 4–5 timmar eller hög i 2–3 timmar (eller tills äpplena är mjuka).
6. Skjut locket något åt sidan efter tillagningstidens slut och låt stå i runt 30 minuter så att smuldegen stelnar. Servera med vaniljglass eller varm vaniljsås.

RENGÖRING

Dra ALLTID ut sladden ur eluttaget och låt apparaten svalna innan du rengör den.

VAR FÖRSIKTIG: Doppa aldrig uppvärmningsbasen, sladden eller kontakten i vatten eller någon annan vätska.

Locket och innerskålen av stengods kan diskas i diskmaskinen eller med varmt vatten och diskmedel. Använd inte repande rengöringsmedel eller skrubbsvampar. En trasa, svamp eller gummispattel tar vanligtvis bort eventuella rester. Använd ett rengöringsmedel utan repande verkan eller ättika för att avlägsna kalkavlagringar och andra fläckar.

Innerskålen av stengods och locket klarar inte av plötsliga temperaturväxlingar. Diska inte innerskålen av stengods eller locket med kallt vatten innan de har svalnat.

Rengör utsidan av uppvärmningsbasen med en mjuk trasa och varmt vatten med diskmedel. Torka noga. Använd inte repande rengöringsmedel.

Utför inget annat underhåll.

OBS! Låt innerskålen av stengods lufttorka efter rengöringen innan du ställer undan den.

GARANTI

Spara ditt kvitto, vilket krävs vid reklamation under garantitiden.

Den här produkten garanteras i 2 år efter ditt inköp enligt beskrivningen i det här dokumentet.

Om det osannolika skulle inträffa under garantiperioden, att apparaten slutar fungera på grund av konstruktions- eller tillverkningsfel, ska du ta den med till inköpsplatsen tillsammans med kvittot och en kopia av garantin.

Rättigheter och förmåner i den här garantin gäller utöver dina lagstiftade rättigheter, som inte påverkas av garantin. Endast Jarden Consumer Solutions (Europe) Limited ("JCS (Europe)") har rätt att ändra villkoren.

JCS (Europe) åtar sig att utan kostnad reparera eller byta ut apparaten eller en del av apparaten som inte fungerar ordentligt under garantiperioden, under förutsättning att:

- du omedelbart meddelar inköpsstället eller JCS (Europe) om problemet.
- Apparaten inte har ändrats på något sätt eller har utsatts för skador, missbruk, felaktig användning, reparation eller modifieringar av en person annat än en person som är auktoriserad av JCS (Europe).

Garantin täcker inte fel som inträffar på grund av felaktig användning, skador, missbruk, användning med felaktigt spänning, naturfenomen, händelser som JCS (Europe) inte kan kontrollera, reparation eller ändringar av person annat än en person som är auktoriserad av JCS (Europe) eller försummelse att följa bruksanvisningen. Slitage vid normal användning täcks inte heller av garantin, inklusive, men inte begränsat till, mindre missfärgningar och repor. Rättigheterna i den här garantin gäller endast den ursprungliga köparen och avser inte kommersiellt eller offentligt bruk.

Om din apparat innefattar en landsspecifik garanti eller garantibilaga, ska du läsa villkoren i den garantin i stället för den här garantin eller kontakta din lokala auktoriserade försäljare för mer information.

Kasserade elektriska produkter ska inte slängas tillsammans med hushållsavfall. Återvinning ska ske på avsedd plats. Kontakta oss per e-post på support@acreto.se för mer information om återvinning och om avfall som utgörs av eller innehåller elektriska eller elektroniska produkter.

Acreto AB
Norra Ågatan 10
416 64 Göteborg
031-3000500
support@acreto.se



SUOMI

TÄRKEITÄ TURVAOHJEITA

LUE TARKOIN JA PIDÄ TALLESSA

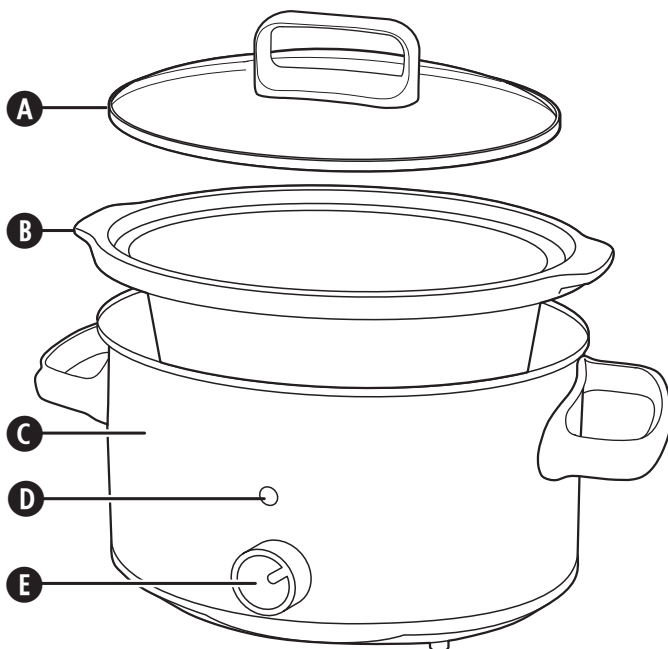
Kahdeksan vuotta täyttäneet lapset, fyysisesti tai henkisesti vammaiset, aistivammaiset ja riittävää kokemusta tai tietämystä vailla olevat saavat käyttää laitetta, jos heitä on ohjattu tai opastettu laitteen turvallisessa käytössä ja jos he ymmärtävät sen käyttöön liittyvät riskit. Laitetta ei ole tarkoitettu lasten leikkikaluksi. Lapset eivät saa puhdistaa tai huoltaa laitetta, elleivät he ole yli kahdeksanvuotiaita ja aikuisen valvonnassa. Pidä laite ja sen virtajohto alle kahdeksanvuotiaiden lasten ulottumattomissa.

⚠️ Jotkin laitteen osat voivat kuumentua käytössä.

Jos laitteen virtajohto vaurioituu, se on turvallisuussyistä vaihdettava valmistajan, valtuutetun huoltoedustajan tai muun pätevän henkilön toimesta.

Laitetta saa käyttää vain sen aiottuun käyttötarkoitukseen. Laite on tarkoitettu vain kotitalouskäyttöön. Laitetta ei ole tarkoitettu ulkokäyttöön.

- Laite tuottaa käytettäessä lämpöä. Laitteen käytön tai jäädyttämisen aikana sen ulkopinnan koskettamisesta johtuvien palovammojen, kuuman nesteen tai höyryn aiheuttamien palovammojen, palovaaran, henkilövammojen ja materiaaliavurioiden välttämiseksi on noudatettava riittävää varovaisuutta.
- Varmista aina, että kätesi ovat kuivat, ennen kuin käsittelet pistoketta tai kytket laitteeseen virtaa.
- Laitteen on käytön aikana oltava vakaalla, kuivalla ja tasaisella alustalla.
- Laitetta ei saa laittaa kuumille pinnoille (kuten kaasu- tai sähköhellalle) tai sellaisten läheisyyteen.
- Laitetta ei saa käyttää, jos se on päässyt putoamaan, jos siinä näkyy vaurioita tai jos se vuotaa.
- Katkaise laitteesta käytön jälkeen virta ja irrota virtajohdon pistoke pistorasiasta ennen laitteen puhdistamista.
- Anna laitteen jäähtyä aina, ennen kuin puhdistat laitetta tai laitat sitä säilytykseen.
- Älä koskaan kasta laitetta tai sen virtajohtoa ja pistoketta veteen tai muuhun nesteeseen.
- Älä koskaan anna laitteen virtajohdon roikkua pöydän reunan yli, koskettaa kuumaa pintaa, päästä takertumaan tai joutua solmulle tai puristuksiin.
- Älä koske laitteen ulkopintoihin käytön aikana, sillä ne voivat olla erittäin kuumia. Käytä uunikintaita tai pannulappuja, kun avaat laitteen kantta. Varo ulostulevaa höyryä, kun avaat laitteen kantta.
- **ÄLÄ KOSKAAN** yritä lämmitellä ruoka-aineita suoraan perusyksikössä. Käytä irrotettavaa kypsennyskulhoa.
- Jotakin pintoja ei ole suunniteltu kestäämään joidenkin laitteiden tuottamaa pitkäkestoista lämpöä. Älä laita laitetta pinnalle, joka voi vaurioitua lämmöstä. Vältä vaurioittamasta pintoja käyttämällä laitteen alla eristävää suojusta tai pannunalusta.
- Haudutuspadan kansi on valmistettu karkaistusta lasista. Tarkista aina, onko kannessa säröjä, halkeamia tai muita vaurioita. Älä käytä vaurioitunutta lasikantta, koska se voi särkyä käytössä.



OSAT

- A** Kansi
- B** Keraaminen pata
- C** Kuumennusjalusta
- D** Virran merkkivalo
- E** Asetuksen valitsin

ENNEN KÄYTTÖÄ

Ennen kuin aloitat Crock-Pot® -haudutuspadan käytön, poista kaikki pakkausmateriaalit ja pese kansi ja keraaminen pata lämpimässä vedessä astianpesuaineella ja kuivaa ne huolellisesti. HUOMIO: Älä koskaan upota kuumennusjalustaa, virtajohtoa tai pistoketta veteen tai muuhun nesteeseen.

TÄRKEITÄ HUOMAUTUKSIA: Kaikkia keittiötasoja ja pöytäpintoja ei ole suunniteltu kestämään tiettyjen laitteiden tuottamaa pitkäkestoista lämpöä. Älä laita lämmitettyä laitetta pinnalle, joka ei kestä lämpöä. Suosittelemme, että haudutuspadan alle laitetaan lämpöalunen tai pannunalunen pinnan vahingoittumisen estämiseksi.

Ole varovainen, kun lasket keraamisen padan keraamiselle tai lasipintaiselle liedelle, keittiötasolle, pöydälle tai muulle pinnalle. Keraamisen padan karkea pohja saattaa naarmuttaa joitakin pintoja, jos pataa käsitellään varomattomasti. Aseta keraamisen padan alle aina suojaava pehmuste ennen sen laskemista pöydälle tai keittiötasolle.

Käytettäessä laitetta ensimmäistä kertaa, havaittavissa voi olla jonkin verran savua tai muuta hajua. Tämä on tavallista monien lämmityslaitteiden kohdalla ja hajut häviävät muutaman käyttökerran jälkeen.

HAUDUTUSPADAN KÄYTTÖOHJEET

1. Aseta keraaminen pata kuumnusjalustaan, lisää pataan ainekset ja peitä se kannella.
2. Kytke haudutuspadan virtajohto pistorasiaan ja käännä asetuksen valitsin korkeaan (☀️) tai alhaiseen (☁️) kypsennyslämpötilaan.

HUOMAUTUS: ☀️ (lämmän) -asetus on tarkoitettu VAIN jo kypsennettyjen ruokien pitämiseen lämpimänä. ÄLÄ valmistaa ruokaa tällä lämpimänäpitoasetuksella. Emme suosittele käyttämään lämpimänäpitoasetusta yli 4 tunnin ajan.

3. Kun kypsennys on valmis, irrota virtajohto pistorasiasta ja anna haudutuspadan jäähtyä ennen sen puhdistamista.

KÄYTTÖÄ KOSKEVIA HUOMAUTUKSIA

- Voit halutessasi vaihtaa WARM-lämpimänäpitoasetukselle manuaalisesti, kun reseptin valmistusaika on kulunut.
- Vältä yli- tai alikypsennys täyttämällä keraaminen pata aina $\frac{1}{2}$ – $\frac{3}{4}$ täyteen ja noudattamalla suositeltuja valmistusaikoja.
- Älä täytä keraamista pataa liian täyteen. Täytä keraaminen pata korkeintaan $\frac{3}{4}$:aan sen tilavuudesta, jotta ruoka ei läikkyisi yli.
- Peitä pata aina kannella ruokaa kypsennettäessä ja jatka kypsennystä suositeltu aika. Älä avaa kantta kypsennyksen ensimmäisen kahden tunnin aikana, jotta lämpö nousee tehokkaasti.
- Käytä aina uuninkintaita, kun käsittelet kantta tai keraamista pataa.
- Irrota virtajohto pistorasiasta kypsennyksen päätyttyä ja ennen padan puhdistamista.
- Irrotettava keraaminen pata ja kansi ovat uuninkestäviä. Älä käytä irrotettavaa keraamista pataa kaasupolttimella, sähköliedellä tai grillivastuksen alla.

RUOANVALMISTUSVINKKEJÄ

- Poista lihasta rasva ja pyyhi lihanpalat hyvin jäämien poistamiseksi. (Jos liha sisältää rasvaa. Ruskista padassa ja valuta neste pois huolellisesti.) Mausta suolalla ja pippurilla. Aseta liha pataan kasvien päälle.
- Jos valmistat patapaistia tai muuta lihapataa, kaada neste lihan päälle. Käytä vain reseptissä mainittua nestemäärää. Lihaan ja kasviksiin jää haudutettaessa enemmän nestettä kuin tavalliseen tapaan kypsennettäessä.
- Useimmat kasvikset on hyvä suikaloida ohueksi tai asettaa aivan keraamisen padan reunoihin tai pohjaan. Haudutuspadassa liha kypsyy yleensä nopeammin kuin useimmat kasvikset.
- Kun kypsennät hauduttamalla, käytä yrtit ja mausteet kokonaisina parhaan ja täyteläisimmän maun esiin saamiseksi.
- Koska pohjaan ei kohdistu suoraa lämpöä, täytä keraaminen pata aina vähintään puoleksi täyteen, jotta suositellut ajat pitäsivät paikkansa. Myös pieniä määriä voidaan valmistaa, mutta kypsennysajat voivat tällöin vaihdella.
- Reseptissä mainittu neste voidaan korvata toisella, kunhan määrä pidetään samana. Esimerkiksi tölkillinen keittoa voidaan korvata tölkillisellä tomaattimurskaa ja kupillinen liha- tai kanalientä voidaan korvata kupillisella viinillä.
- Papujen on annettava pehmentyä kokonaan, ennen kuin niihin sekoitetaan sokeria ja/tai happamia ruoka-aineita. (HUOMAUTUS: Sokeri ja happo kovettavat papuja ja estävät niiden pehmenemisen.)

Lisää inspiraatiota ja reseptejä saat kotisivuiltamme www.crockpot.fi

OHJEITA RESEPTIEN MUOKKAAMISEEN

Näiden ohjeiden tarkoituksena on auttaa muokkaamaan reseptejä haudutuspadalle sopiviksi. Monet tavallisista valmisteluvaiheista ovat tarpeettomia, kun käytetään haudutuspataa. Useimmissa tapauksissa kaikki raaka-aineet voidaan lisätä haudutuspataan kerralla ja niitä kypsennetään koko päivä.

Yleisiä ohjeita:

- Varaa kypsennykseen riittävästi aikaa.
- Peitä pata kannella kypsennyksen ajaksi.
- Parhaat tulokset saadaan ja ruoan kuivuminen tai palaminen estetään varmistamalla, että ruokaohjeessa käytetään tarpeeksi nestettä.

- Reseptimme saattavat vaikuttaa siltä, että niissä käytetään liian vähän nesteitä. Hidas kypsennys kuitenkin eroaa muista valmistustavoista siinä, että reseptin mukaisesti lisätyn nesteen määrä lähes kaksinkertaistuu valmistuksen aikana. Jos siis haluat muokata omaa reseptiä haudutuspataa varten, käytä vähemmän nesteitä kuin tavallisesti.

RESEPTIN AIKA	LOW-ASETUKSELLE	HIGH-ASETUKSELLE
15–30 minuuttia	4 - 6 tuntia	1½ - 2 tuntia
30 - 45 minuuttia	6 - 10 tuntia	3 - 4 tuntia
50 minuuttia – 3 tuntia	8 - 10 tuntia	4 - 6 tuntia

PASTA JA RIISI:

- Jos resepti edellyttää nuudeliin, makaronin tms. lisäämistä, keitä niitä tavallisella liedellä, kunnes ne ovat pehmenneet hieman. Lisää ne haudutuspataan valmistusajan 30 viimeisen minuutin aikana. Jos käytät riisiä, sekoita se muiden aineiden joukkoon ja lisää ¼ lisäkuupillista nestettä jokaista ¼ riisikuupillista kohti. Pitkäjyväinen riisi sopii käyttöön parhaiten.

PAVUT:

- Papujen on annettava pehmentyä täysin ennen niiden lisäämistä sokeriin ja/tai happamiin ruokiin. Sokeri ja hapot kovettavat papuja ja estävät niitä pehmentymästä.
- Kuivat pavut, etenkin tarhapavut, on keitettävä ennen niiden lisäämistä ruokaohjeeseen.
- Kuivapavut voidaan korvata keitetyillä tölkkipavuilla.

VIHANNEKSET:

- Monien vihannesten paras maku pääsee esiin haudutus kypsennyksessä. Vihannekset eivät tule ylikypsiiksi, kuten perinteisellä liedellä tai uunissa.
- Jos ruokaohje sisältää sekä lihaa että vihanneksia, laita vihannekset haudutuskeittimeen ennen lihaa. Vihannekset kypsyvät yleensä lihaa hitaammin haudutuskeittimessä.
- Aseta vihannekset kypsennyskuolon pohjalle, niin ne kypsyvät paremmin.

YRITIT JA MAUSTEET:

- Tuoreet yrtit lisäävät makua ja väriä ruokaan, mutta ne tulee lisätä ruoan valmistuksen loppuvaiheessa, koska niiden maku hiipuu pitkään kypsennettäessä.
- Jauhetut ja/tai kuivatut yrtit ja mausteet soveltuvat hyvin hauduttamiseen ja ne voidaan lisätä alkuvaiheessa.
- Kaikkien yrttien ja mausteiden maustamisvoima voi vaihdella suuresti mausteiden voimakkuuden ja säilytysajan mukaan, joten suosittelme aina, että maustat ruoat juuri ennen tarjoilamista.

MAITO:

- Maito, kerma ja hapankerma hajoavat pitkään kypsennettäessä. Siksi ne kannattaa lisätä vasta viimeisten 15-30 minuutin aikana.
- Ne voidaan korvata keittotiivisteillä, joita voidaan kypsennää pitkiä aikoja.

LIHA:

- Poista lihoista rasvat, huuhtelee ne hyvin ja taputtele liha kuivaksi paperipyyhkeillä.
- Jos liha ruskistetaan etukäteen, siitä irtoaa rasvaa ennen hauduttamista. Tämä syventää ruoan makua.
- Aseta liha kypsennyskuulhoon niin, että se ei kosketa kantta.
- Mukauta vihannesten tai perunoiden määrää lihapalojen koon mukaan niin, että kulho on ½–¾ täynnä.
- Lihan määrä ja suositellut kypsennysajat ovat vain arvioita ja saattavat vaihdella lihapalan laadun, tyyppin ja luun rakenteen perusteella. Vähärasvaiset lihat kuten kananliha tai porsaan ulkofilee kypsyvät yleensä nopeammin kuin lihat, jotka sisältävät enemmän sidekudosta ja rasvaa, kuteni naudanpaisti tai porsaanlapa. Lihan kypsennäminen luun kanssa vaatii pidemmän kypsennysajan.
- Leikkaa liha pienempiin paloihin, kun kypsennät sitä esikeitetyjen ruokien kuten papujen tai hedelmien kanssa tai kevyiden vihannesten kuten sienien, pilkottujen sipulien, munakoison tai hienoksi pilkottujen vihannesten kanssa. Näin kaikki ruoat kypsyvät samaan tahtiin.

KALA:

- Kala kypsenty nopeasti ja tulisi lisätä vasta ruoan valmistuksen loppuvaiheessa, kun ruoan valmistamiseen on aikaa enää 15 - 60 minuuttia.

PUHDISTAMINEN

Irrota AINA virtajohto pistorasiasta ja anna haudutuspadan jäähtyä ennen sen puhdistamista.

HUOMIO: Älä koskaan upota kuumennusjalustaa, virtajohtoa tai pistoketta veteen tai muuhun nesteeseen.

Kansi ja keraaminen pata voidaan pestä astianpesukoneessa tai käsin kuumalla vedellä ja astianpesuaineella. Älä käytä hankaavia puhdistusaineita tai puhdistussieniä. Jäämät irtoavat yleensä liinalla, sienellä tai kumilastalla. Poista vesi- tai muut tahrat hankaamattomalla puhdistusaineella tai viinietikalla.

Kuten hienokeramiikka yleensä, keraaminen pata ja sen kansi eivät kestä äkillisiä lämpötilan muutoksia. Älä pese keraamista pataa tai kantta kylmällä vedellä niiden ollessa kuumia.

Puhdista kuumennusjalustan ulkopinta pehmeällä liinalla ja lämpimällä saippuavedellä. Pyyhi kuivaksi. Älä käytä hankaavia puhdistusaineita.

Laitetta ei tarvitse huoltaa muulla tavoin.

HUOMAUTUS: Käsinpuhdistuksen jälkeen anna keraamisen padan kuivaa huoneilmassa ennen säilytykseen laittoa.

TAKUU

Säilytä kuitti, koska tarvitset sitä mahdollisia takuuvaateita varten.

Tuotteella on 2 vuoden takuu. Takuuajan lasketaan alkavan ostohetkellä.

Jos laite ei tämän takuuajan jälkeen enää toimi suunnittelu- tai valmistusvirheen johdosta, palauta se ostopaikkaan kuitin ja takuutodistuksen kopion kanssa.

Tämän takuun myöntämät oikeudet ja edut myönnetään lakisääteisten oikeuksiesi lisäksi, eikä takuu vaikuta kyseisiin lakisääteisiin oikeuksiin. Vain Jarden Consumer Solutions (Europe) Limited ("JCS (Europe)") -yrityksellä on oikeus muuttaa näitä takuehtoja.

JCS (Europe) sitoutuu määritettynä takuuajanjaksona korjaamaan tai vaihtamaan uuteen laitteeseen veloitusetta minkä tahansa viallisen laitteen osan seuraavien ehtojen täytyessä:

- Ostopaikalle tai JCS (Europe)ille ilmoitetaan ongelmasta heti; ja
- Laitetta ei ole muutettu mitenkään tai kohdeltu kaltoin tai vahingoitettu eikä sen korjaukseen tai muutostöihin ole osallistunut muita kuin JCS (Europe)in valtuuttamia henkilöitä.

Takuu ei kata virheellisestä käytöstä, vahingoittumisesta, laitteen kohtelemisesta väärin, laitteen väärällä jännitteellä käyttämisestä, luonnonmullistuksista, muista asioista, joihin JCS (Europe)illa ei ole vaikutusvaltaa, muun kuin JCS (Europe)in valtuuttaman henkilön tekemistä korjaus- tai muutostöistä tai ohjeiden noudattamatta jättämisestä aiheutuvia ongelmia. Lisäksi takuu ei kata tavallista kulumista, muun muassa pieniä värin muutoksia tai naarmuja.

Tässä takuussa myönnetty oikeudet koskevat vain alkuperäistä ostajaa eivätkä ne ulotu kaupalliseen tai yhteisölliseen käyttöön.

Jos laitteella on maakohtainen takuu, käytä kyseisen takuun ehtoja tämän takuun sijasta tai pyydä lisätietoja paikalliselta valtuutetulta jälleenmyyjältä.

Käytöstä poistettavia elektroniikkalaitteita ei saa hävittää kotitalousjätteen mukana. Kierrätä mahdollisuuksien mukaan. Kirjoittamalla sähköpostiosoitteeseemme enquiriesEurope@jardencs.com saat lisätietoja kierrätyksestä ja elektroniikkalaiteromusta.

Jarden Consumer Solutions (Europe) Limited
5400 Lakeside
Cheadle Royal Business Park
Cheadle
SK8 3GQ
United Kingdom



DANSK

VIGTIGE ANVISNINGER

LÆS OMHYGGELIGT, OG OPBEVAR DEM TIL FREMTIDIG BRUG

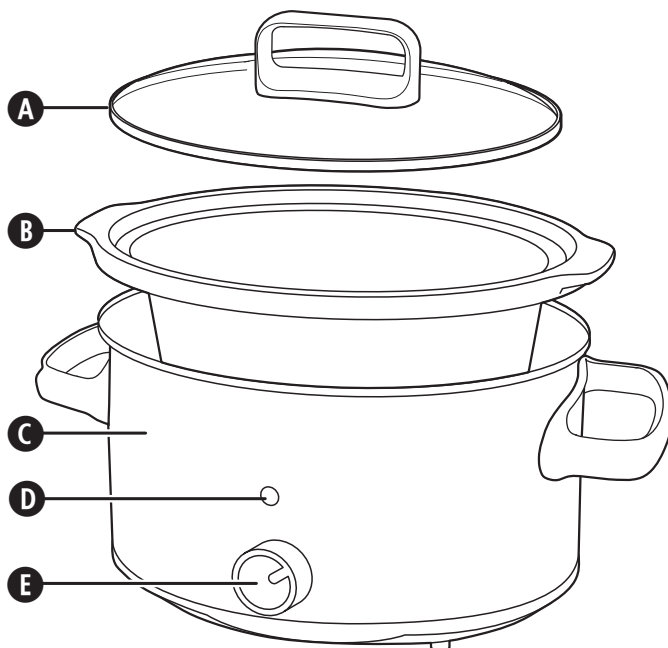
Dette apparat må anvendes af børn på 8 år og derover samt af personer med fysiske, sansemæssige eller mentale handicap eller manglende erfaring og viden, såfremt vedkommende er under opsyn eller har modtaget anvisninger i forsvarlig brug af apparatet, og vedkommende forstår farerne i forbindelse med brugen. Børn må ikke lege med apparatet. Rengøring og vedligeholdelse må ikke foretages af børn, med mindre de er over 8 år og under opsyn. Hold apparatet og ledningen uden for rækkevidde af børn under 8 år.

⚠ Dele af apparatet kan blive varme under brug.

Hvis den monterede ledning er beskadiget, skal den udskiftes af producenten, dennes serviceagent eller en lignende kvalificeret person for at undgå sikkerhedsfarer.

Brug aldrig dette apparat til andet, end det er beregnet til. Dette apparat er kun beregnet til husholdningsbrug. Brug ikke apparatet uden døre.

- Dette apparat bliver varmt under brug. Du skal tage rimelige forholdsregler for at undgå forbrændinger, skoldning, brand og andre person- eller tingsskader som følge af ydersiden af apparatet under brug eller afkøling.
- Sørg altid for, at dine hænder er tørre, inden du rører ved stikket eller tænder for apparatet.
- Brug altid apparatet på en stabil, fast, tør og plan overflade.
- Apparatet må ikke stilles på eller i nærheden af potentielt varme overflader (f.eks. kogeplader).
- Undlad at bruge apparatet, hvis det er blevet tabt, eller hvis det bærer synlige tegn på skader eller lækager.
- Sørg for, at apparatet er slukket, og at stikket er trukket ud af stikkontakten, inden apparatet rengøres.
- Lad altid apparatet køle ned inden rengøring eller opbevaring.
- Nedsæk aldrig nogen del af apparatet eller ledningen og stikket i vand eller nogen anden væske.
- Lad aldrig ledningen hænge ud over kanten af et bord, komme i kontakt med varme overflader, slå knuder eller komme i klemme.
- Undlad at røre ved apparatets ydersider under brug, da de kan blive meget varme. Brug grillhandsker eller grydelapper, når du tager låget af. Pas på dampen, der undslipper, når låget løftes.
- Forsøg ALDRIG at opvarme madvarer direkte inden i hovedenheden. Benyt altid den tilberedningskål, der kan tages ud.
- Visse overflader er ikke designet til at modstå den langvarige varme, som nogle apparater skaber. Stil ikke apparatet på en overflade, der ikke kan tåle varme. Vi anbefaler, at du placerer en bordskåner eller trefod under apparatet for at forhindre mulig beskadigelse af overfladen.
- Slow cooker-låget er fremstillet i hærdet glas. Kontroller altid låvet for skår, revner eller andre skader. Brug ikke glaslåget, hvis det er beskadiget, da det kan gå i stykker under brug.



DELE

- A** Låg
- B** Stentøjsgryde
- C** Opvarmningsfod
- D** Strømindikator
- E** Valg af indstilling

FORBEREDELSE FØR BRUG

Før du tager din Crock-Pot®-slow cooker i brug, skal du fjerne al emballage og vaske låget og stentøjsgryden med varmt sæbevand og tørre den omhyggeligt. **FORSIGTIG:** Opvarmningsfoden, ledningen eller stikket må aldrig nedsænkes i vand eller anden væske.

VIGTIGE BEMÆRKNINGER: Nogle køkkenborde og bordflader er ikke designet til at modstå den langvarige varme, som nogle apparater skaber. Stil ikke den opvarmede enhed på et varmekølsomt underlag. Vi anbefaler at placere en bordskåner under din slow cooker for at forhindre eventuelle skader på underlaget.

Vær forsigtig, når du stiller stentøjsgryden på en keramisk eller glaskogeplade, køkkenbord, bord eller anden overflade. På grund af stentøjsgrydens karakter kan den ru bundoverflade muligvis ridse nogle overflader, hvis du ikke er forsigtig. Placer altid beskyttende polstring under stentøjsgryden, før du sætter den på bordet eller køkkenbordet.

Der kan opstå let røg eller lugt, når apparatet tages i brug for første gang. Dette er normalt for mange varmeapparater og gentager sig ikke, når apparatet har været i brug et par gange.

SÅDAN BRUGER DU DIN SLOW COOKER

1. Placer stentøjsgryden på opvarmningsfoden, anbring dine ingredienser i stentøjsgryden, og læg låget på.
2. Tilslut slowcookeren, og sæt indstillingen på en høj (H) eller en lav (L) tilberedningstemperatur.
BEMÆRK: Indstillingen VARM (W) er KUN til at holde mad, der allerede er tilberedt, varmt. Mad MÅ IKKE tilberedes på indstillingen VARM. Vi anbefaler ikke, at indstillingen VARM bruges i mere end 4 timer.
3. Når tilberedningen er færdig, skal du tage slow cookerens stik ud af stikkontakten og lade apparatet køle af inden rengøring.

BEMÆRKNINGER OM BRUG

- Hvis du ønsker det, kan du manuelt slå over til indstillingen VARM (W), når retten er færdiglavet.
- For at undgå at maden bliver stegt for meget eller for lidt, skal du altid fylde stentøjsgryden $\frac{1}{2}$ til $\frac{3}{4}$ op og overholde de anbefalede stegetider.
- Fyld ikke for meget i stentøjsgryden. Fyld ikke stentøjsgryden mere end $\frac{3}{4}$ op for at forhindre, at den flyder over.
- Steg altid med låget på i den anbefalede tid. Fjern ikke låget i løbet af de to første timers tilberedning, så der skabes varme effektivt.
- Brug altid grillhandsker, når du rører ved låget eller stentøjsgryden.
- Tag stikket ud, når tilberedningen er færdig og før rengøring.
- Det aftagelige stentøj og låget er ovnfast. Brug ikke stentøjsgryden, der kan tages ud, på et gasblus, elkofur eller under grillen.

RÅD OG TIP TIL TILBEREDNING

- Skær fedt af, og tør kødet godt af for at fjerne rester. (Hvis kødet indeholder fedt. Brun det i gryden, og lad væsken løbe fra). Krydr det med salt og peber. Anbring kødet i gryden oven på grøntsager.
- Ved grydestegete og gryderetter skal du hælde væske over kødet. Brug kun den mængde væske, der er angivet i opskriften. Saften fra kød og grøntsager bevares mere ved langtidstilberedning end ved almindelig tilberedning.
- De fleste grøntsager skal skæres i tynde skiver eller placeres nær stentøjsgrydens sider eller bund. I en slow cooker steget kød normalt hurtigere end de fleste grøntsager.
- Brug hele bladkrydderier og -krydderurter for at opnå den bedste og rigeste smag ved metoden til langtidstilberedning.
- I det der ikke er direkte varme i bunden, skal stentøjsgryden altid fyldes mindst halvvejs op for at følge de anbefalede tilberedningstider. Mindre retter kan også tilberedes, men det kan have indvirkning på stegetiden.
- En specifik væske i en opskrift kan ændres, hvis den erstattes af en tilsvarende mængde af en anden væske. En dåse suppe kan fx erstattes af en dåse tomat, eller 1 kopfuld okse- eller hønsefond kan erstattes af 1 kopfuld vin.
- Bønner skal være helt blødt op, før de kombineres med sukkerholdige eller syreholdige madvarer. (BEMÆRK: Sukker og syre har en hærdende effekt på bønner og vil forhindre opblødning.)

Mere inspiration og flere opskrifter kan du få på vores hjemmeside www.crockpot.dk

VEJLEDNING TIL TILPASNING AF OPSKRIFTER

Denne vejledning er udarbejdet for at hjælpe dig med at tilpasse dine egne og andre opskrifter til brug med din slow cooker. Mange af de normale tilberedningstrin er unødvendige, når du bruger din slow cooker. I de fleste tilfælde kan alle ingredienser anbringes i din slow cooker på én gang og stege hele dagen.

Generelt:

- Sæt tilstrækkelig tid af til tilberedningen.
- Steg altid med låget på.
- For det bedste resultat og for at forhindre, at maden tørrer ud eller brænder på, skal du altid sørge for, at der bruges tilstrækkelig mængde væde i opskriften.

- Det kan se ud som om, at vores opskrifter kun indeholder en lille mængde væde, men langtidstilberedningsprocessen er forskellig fra andre tilberedningsmetoder, idet den tilførte væde i opskriften, næsten fordobles i løbet af tilberedningstiden. Så hvis du tilpasser en opskrift til din slow cooker, skal du reducere væden før tilberedning.

TIDSFORBRUG	STEG PÅ LAV	STEG PÅ HØJ
15 - 30 minutter	4 - 6 timer	1½ - 2 timer
30 - 45 minutter	6 - 10 timer	3 - 4 timer
50 minutter til 3 timer	8 - 10 timer	4 - 6 timer

PASTA OG RIS:

- Du opnår det bedste resultat med langkornede ris, basmatiris eller en særlig rissort, som er angivet i opskriften. Hvis risene ikke er helt kogte efter den angivne kogetid, kan du tilføje 1-1½ deciliter væske pr. deciliter kogt ris og fortsætte tilberedningen i 20-30 minutter.
- Du opnår det bedste resultat for pasta ved at hælde pastaen i slow cookeren i løbet af de sidste 30-60 minutters tilberedningstid.

BØNNER:

- Bønner skal være helt blødt op, før de kombineres med sukkerholdige og eller syreholdige madvarer. Sukker og syre har en hærdende effekt på bønner og vil forhindre opblødning.
- Tørrede bønner, særligt røde kidneybønner, skal koges, før de tilføjes til en opskrift.
- Helkogte bønner på dåse kan bruges i stedet for tørrede bønner.

GRØNTSAGER:

- Langtidstilberedning gavner mange grøntsager, der udvikler deres fulde smag. De bliver ikke kogt for meget i en slow cooker, som det kan ske på komfuret eller i ovnen.
- Når der tilberedes opskrifter med grøntsager og kød, skal du lægge grøntsagerne i slow cookeren før kødet. Grøntsager steger som regel langsommere end kød i slow cookeren.
- Placer grøntsager nær tilberedningsskålens bund for at lette tilberedningen.

URTER OG KRYDDERIER:

- Friske urter tilføjer smag og farve, men skal først tilføjes i slutningen af tilberedningscyklussen, idet smagen forsvinder i løbet af lang tilberedningstid.
- Stødt og/eller tørrede urter og krydderier egner sig godt til langtidstilberedning og kan tilføjes i starten.
- Hvor kraftig urter og krydderiers smag er, kan variere meget afhængigt af deres særlige styrke og holdbarhed. Brug kun lidt krydderi, smag til når retten er færdigtilberedt og tilføj eventuelt lidt mere krydderi lige inden servering.

MÆLK:

- Mælk, fløde og cremefraiche nedbrydes under langvarig tilberedning. Tilføj det, hvis muligt, de sidste 15-30 minutter af tilberedningstiden.
- Kondenserede supper kan bruges i stedet for mælk og kan koge i lang tid.

KØD:

- Skær fedtet fra, skyl grundigt og dup kødet tørt med køkkenrulle.
- Hvis kødet brunes på forhånd, skilles fedtet fra før langtidstilberedningen, og det giver kødet en dybere smag.
- Kød skal placeres, så det hviler i tilberedningsskålen uden at berøre låget.
- Ved mindre eller større stykker kød justeres mængden af grøntsager eller kartofler, så skålen altid er ½ til ¾ fuld.
- Kødets størrelse og de anbefalede tilberedningstider er kun vejledende og kan variere afhængigt af den specifikke udskæring, type og knoglestruktur. Magert kød såsom kylling og svinemørbrad steger som regel hurtigere end kød med mere bindevæv og fedt som fx oksebov eller svineskulder. Tilberedning af kød med ben modsat uden ben vil forøge den nødvendige tilberedningstid.
- Skær kødet i mindre stykker, hvis det tilberedes sammen med tilberedte fødevarer som fx bønner eller frugt eller lette grøntsager som champignoner, hakket løg, aubergine eller fint hakkede grøntsager. På denne måde tilberedes al maden i samme takt.

FISK:

- Fisk tilberedes hurtigt og skal tilføjes til sidst i tilberedningscyklussen i de sidste 15 minutter til en time af tilberedningen.

RENGØRING

Tag ALTID slow cookerens stik ud af stikkontakten, og lad den køle af inden rengøring.

FORSIGTIG: Opvarmningsfoden, ledningen eller stikket må aldrig nedsænkes i vand eller anden væske.

Låget og stentøjs gryden kan vaskes i opvaskemaskine eller med varmt sæbevand. Undlad at bruge slibemidler eller skuresvampe. En klud, svamp eller gummiskraber er som regel nok til at fjerne madrester. Brug et ikke-skurende rengøringsmiddel eller eddike til at fjerne vandpletter og andre pletter.

Ligesom fin keramik kan stentøjs gryden og låget ikke tåle pludselige temperaturændringer. Stentøjs gryden og låget må ikke vaskes af i koldt vand, når de er varme.

Opvarmningsfodens yderside kan rengøres med en blød klud og varmt sæbevand. Tør af. Undlad at bruge slibende rengøringsmidler.

Du bør ikke udføre andet eftersyn og vedligeholdelse.

BEMÆRK: Når stentøjs gryden er vasket af i hånden, skal den lufttørre, inden den sættes væk.

GARANTI

Gem kvitteringen. Den skal forevises ved enhver klage under denne garanti.

Der er 2 års garanti på dette apparat efter dit køb som beskrevet i dette dokument.

Hvis det usandsynlige skulle ske i denne garantiperiode, at apparatet ikke længere fungerer på grund af en design- eller fabrikationsfejl, bedes du returnere det til købsstedet sammen med kvitteringen og en kopi af denne garanti.

Rettighederne og fordelene ved denne garanti ligger ud over dine lovbestemte rettigheder, som ikke er påvirket af denne garanti. Det er kun Jarden Consumer Solutions (Europe) Limited ("JCS (Europe)"), der må ændre disse betingelser.

JCS (Europe) påtager sig inden for garantiperioden gratis at reparere eller udskifte apparatet og enhver del af apparatet, der er konstateret ikke at fungere korrekt, forudsat at:

- Du omgående underretter købsstedet eller JCS (Europe) om problemet; og
- Apparatet ikke er blevet ændret på nogen måde eller udsat for beskadigelse, forkert brug, misbrug, reparation eller ændring af en person, der ikke er autoriseret af JCS (Europe).

Fejl, der sker på grund af forkert brug, beskadigelse, misbrug, brug med forkert spænding, force majeure, hændelser, som JCS (Europe) ikke har indflydelse på, reparation eller ændring af en person, der ikke er autoriseret af JCS (Europe), eller manglende overholdelse af brugsanvisningen, er ikke dækket af denne garanti. Desuden er normal slitage, herunder, men ikke begrænset til, mindre misfarvning og skrammer, ikke dækket af denne garanti.

Rettighederne under denne garanti skal kun gælde for den oprindelige køber og skal ikke udvides til kommerciel eller kollektiv brug.

Hvis der med dit apparat fulgte en landespecifik erklæring eller garanti, gælder de vilkår og betingelser, der er angivet i det pågældende dokument forud for bestemmelserne i nærværende garanti. I modsat fald bedes du kontakte din lokale autoriserede forhandler for at få flere oplysninger.

Brugte elektriske produkter må ikke bortskaffes sammen med husholdningsaffaldet. Benyt venligst en genbrugsordning, hvis en sådan findes. Send en e-mail til os på enquiriesEurope@jardencs.com for at få yderligere oplysninger om genbrug og WEEE.

Jarden Consumer Solutions (Europe) Limited
5400 Lakeside
Cheadle Royal Business Park
Cheadle
SK8 3GQ
United Kingdom



NORSK

VIKTIGE BESKYTTELSESTILTAK

LES NØYE OG OPPBEVAR FOR FRAMTIDIG REFERANSE

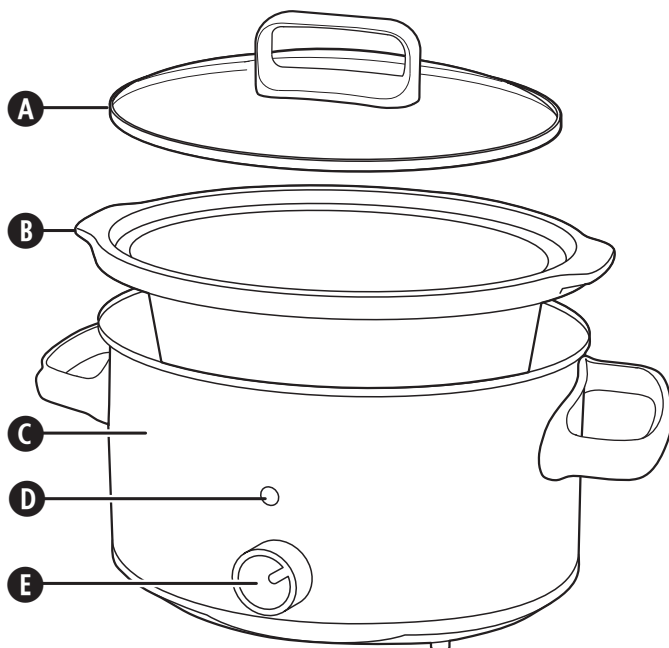
Dette produktet kan brukes av barn fra 8 år og oppover og personer med reduserte fysiske, sensoriske eller mentale evner eller manglende erfaring og kunnskap hvis de er under tilsyn eller er gitt instruksjoner om bruk på en trygg måte og forstår farene involvert. Barn skal ikke leke med produktet. Rengjøring og vedlikehold skal ikke foretas av barn som er under 8 år eller uten tilsyn. Hold produktet og ledningen utenfor rekkevidden til barn under 8 år.

⚠ Deler av utstyret vil bli varmt under bruk.

Hvis tilførselsslangen er skadet må den erstattes av produsenten, en servicetekniker eller lignende kvalifisert person for å unngå skade.

Bruk aldri dette apparatet til noe annet enn tiltenkt bruk. Dette apparatet er kun for husholdningsbruk. Ikke bruk apparatet utendørs.

- Dette apparatet genererer varme under bruk. Det må tas tilstrekkelig forholdsregler for å forebygge risikoen for forbrenninger, skåldinger, brann eller andre skader på personer eller eiendom forårsaket ved at utsiden berøres under bruk eller under avkjøling av apparatet.
- Sørg alltid for at hendene er tørre før du tar i strømkontakten eller slår på apparatet.
- Bruk alltid apparatet på en stabil, sikker, tørr og jevn overflate.
- Dette apparatet må ikke plasseres på eller i nærheten av varme overflater (som f.eks. en gass- eller elektrisk komfyr).
- Ikke bruk apparatet hvis det har falt i gulvet, hvis det har synlige tegn på skader eller hvis det lekker.
- Sørg for at apparatet er slått av og frakoblet strømmettet etter bruk, før rengjøring.
- La alltid apparatet bli kaldt før rengjøring eller oppbevaring.
- Dypp aldri noen del av apparatet eller strømkabelen i vann eller annen væske.
- Aldri la strømledningen henge over kanten av en benkeplate, berøre varme overflater eller få knute, bli sittende fast eller komme i klem.
- Ikke rør apparatets ytre overflater under bruk, da de kan bli svært varme. Bruk grytekluter eller en klut til å fjerne lokket. Vær obs på damp når du fjerner lokket.
- Forsøk ALDRI å varme mat direkte inne i sokkelenheten. Bruk alltid den avtakbare tilberedningsbollen.
- Enkelte overflater er ikke designet for å tåle den vedvarende varmen som genereres av visse apparater. Apparatet må ikke plasseres på en overflate som kan ta skade av varme. Vi anbefaler deg å plassere en grytelapp eller trefot under apparatet for å forhindre potensiell skade på overflaten.
- Lokket til langtidskokeren er laget av temperert glass. Alltid inspiser lokket for sprekker eller annen skade. Ikke bruk glasslokket hvis det er skadet, siden det da kan knuse under bruk.



DELER

- A** Lokk
- B** Tilberedningsgryte
- C** Varmesokkelenhet
- D** Strømlampe
- E** Innstillingsvelger

KLARGJØRING FOR BRUK

Før du bruker Crock-Pot®-langsomkokeren må du fjerne all emballasje og vaske lokket og tilberedningskjelen med varmt såpevann og tørke det godt. **FORSIKTIG:** Dypp aldri varmesokkelen, strømledningen eller kontakten i vann eller annen væske.

VIKTIGE MERKNADER: Noen benkeplater og bordoverflater er ikke utformet for å tåle den vedvarende varmen som genereres av visse apparater. Ikke plasser den oppvarmede enheten på en varmfølsom overflate. Vi anbefaler å plassere et gryteunderlag eller en trefot under langsomkokeren din for å forhindre eventuelle skader på overflaten.

Vær forsiktig når du plasserer steintøyet på en keramisk eller glatt glasstopp på en koketopp, benkeplate, bord eller en annen overflate. På grunn av steintøyets natur kan den røe bunnen lage riper i enkelte overflater hvis du ikke er forsiktig. Bruk alltid beskyttende underlag under steintøyet før du plasserer det på et bord eller en benkeplate.

Litt røyk og lukt kan oppstå første gang du bruker apparatet. Dette er normalt for mange varmeapparater, og skjer ikke etter noen gangers bruk.

SLIK BRUKER DU LANGSOMKOKEREN

1. Plasser tilberedningsgryten på varmesokkelen, tilsett ingrediensene i gryten og sett på lokket.
2. Koble til langsomkokeren og sett innstillingsvelgeren til høy (H) eller lav (L) tilberedningstemperatur.
MERK: VARM-innstillingen (H) er KUN ment for mat som allerede er tilberedt varm. IKKE tilbered på VARM-innstillingen. Vi anbefaler ikke å bruke VARM-innstillingen i mer enn fire timer.
3. Når tilberedningen er ferdig, kobler du fra langsomkokeren og lar den kjøle seg ned før rengjøring.

MERKNADER OM BRUK:

- Hvis ønskelig, kan du skifte til innstillingen VARM manuelt når retten er tilberedt.
- For å unngå for mye eller lite koking, fyll alltid steintøyet ½ til ¾ full og hold deg til anbefalt tilberedningstid.
- Ikke overfyll tilberedningsgryten. Ikke fyll tilberedningsgryten mer en ¾ full for å unngå søl.
- Tilbered alltid med lokket på i anbefalt tid. Ikke ta av lokket i løpet av de to første timene av tilberedningen for å la varmen bygge seg opp effektivt.
- Bruk alltid varmebeskyttende utstyr når du tar i lokket eller gryten.
- Koble fra når tilberedningen er ferdig og før rengjøring.
- Steintøyet og lokket som kan fjernes, er ildfaste. Ikke bruk denne gryten på en gassbrenner, elektrisk kokeplate eller under grillfunksjon.

TIPS OG RÅD FOR TILBEREDNING

- Fjern fett og tørk av kjøttet for å fjerne rester. (Hvis kjøttet er fett, bruner du det i tilberedningsgryten og tømmer ut restene). Krydre med salt og pepper. Legg kjøttet i tilberedningsgryten oppå grønnsakene.
- Hvis du skal lage grytestek eller gryteretter, heller du væske over kjøttet. Ikke bruk mer væske enn det som angis i oppskriften. Det blir bevart mer saft i kjøtt og grønnsaker ved langsomkoking eller ved vanlig tilberedning.
- De fleste grønnsaker skal skjæres i tynne skiver eller plasseres ut mot sidene av eller i bunnen av tilberedningsgryten. I en langsomkoker tilberedes kjøtt generelt raskere enn de fleste grønnsaker.
- Bruk hele blader av urter og krydder for å få den beste og fyldeste smaken med langsomkokingsmetoden.
- Siden det ikke er en direkte varme i bunnen, må du alltid fylle tilberedningsgryten minst halvfull for å overholde de anbefalte tidene. Du kan tilberede mindre mengder, men tilberedningstidene kan bli påvirket av dette.
- En bestemt væske som er nødvendig i en oppskrift, kan varieres hvis en tilsvarende mengde erstattes. Du kan for eksempel bytte ut en boks med suppe med en boks med tomater eller en kopp med buljong av biff eller kylling med en kopp med vin.
- Bønner skal mykes helt opp før de kombineres med sukker og/eller syreholdige matvarer. (MERK: Sukker og syre gjør bønner hardere og forhindrer at de blir myke.)

Mer inspirasjon og flere oppskrifter får du på vår nettside www.crockpot.no

VEILEDNING TIL Å TILPASSE OPPSKRIFTER

Denne veiledningen er utformet for å hjelpe deg med å tilpasse dine egne og andre oppskrifter til langsomkokeren. Mange av de vanlige klagjørende trinnene er unødvendige når du bruker langsomkokeren. I de fleste tilfeller kan alle ingrediensene legges i langsomkokeren samtidig og bli der hele dagen.

Generelt:

- Planlegg tilstrekkelig med tilberedningstid.
- Tilbered maten med lokket på gryten.
- Pass alltid på at du bruker tilstrekkelig mengde væske i retten for å oppnå beste resultater og forhindre at maten blir tørr eller brent.

- Det kan virke som om våre oppskrifter kun har en liten mengde væske i dem, men langkokingen er annerledes enn andre tilberedningsmetoder, da tilført væske i oppskriften nesten fordobles under tilberedningstiden. Reduser derfor væskemengden før tilbereding hvis du tilpasser en oppskrift for langsommekokeren.

OPPSKRIFTSTID	TILBERED PÅ LAV	TILBERED PÅ HØY
15 til 30 minutter	4 til 6 timer	1½ til 2 timer
30 til 45 minutter	6 til 10 timer	3 til 4 timer
50 minutter til 3 timer	8 til 10 timer	4 til 6 timer

PASTA OG RIS:

- Bruk langkornet konvertert ris eller en spesiell ris som foreslås i oppskriften, for å oppnå beste resultat. Hvis risen ikke er ordentlig kokt etter den anbefalte tiden, tilsetter du 1 til 1½ kopp med væske per kopp med kokt ris, og fortsetter å koke i ytterligere 20 til 30 minutter.
- For å få best resultater med pasta tilsetter du pastaen i apparatet i løpet av de siste 20–30 minuttene av tilberedningstiden.

BØNNER:

- Bønner må være helt myke før de blandes med sukker og/eller syreholdig mat. Sukker og syre gjør at bønner blir harde og hindrer at de blir myke.
- Tørkede bønner, spesielt røde nyrebønner, bør kokes før de brukes i en oppskrift.
- Ferdigkokte, hermetiske bønner kan brukes som en erstatning for tørkede bønner.

GRØNNSAKER:

- Mange grønnsaker kan med fordel saktekokes og vil da få en fyldigere smak. De er ikke tilbøyelige til å overkokes i saktekokeren, slik de kan i ovnen eller på komfyren.
- Ved tilberedning av oppskrifter med grønnsaker og kjøtt, skal grønnsakene legges i saktekokeren før kjøttet. Grønnsaker koker vanligvis saktere enn kjøtt i saktekokeren.
- Plasser grønnsaker nær bunnen av tilberedningsbollen for å underlette kokingen.

URTER OG KRYDDER:

- Friske urter gir smak og farge, men bør tilsettes på slutten av kokesyklusen, fordi smaken vil forsvinne ved lengre tids koking.
- Malte og/eller tørkede urter og krydder fungerer bra ved saktekoking og kan tilsettes i begynnelsen.
- Smaksstyrken til alle urter og krydder kan variere mye, avhengig av deres bestemte styrke eller lagringstid. Bruk urter med måte, smak til på slutten av kokesyklusen og juster smakstilsetninger rett før servering.

MELK:

- Melk, fløte og rømme brytes ned under lengre tids koking. Tilsett dette om mulig under de siste 15 til 30 minuttene av kokingen.
- Melk kan erstattes med kondenserte supper som kan kokes mye lenger.

KJØTT:

- Skjær bort fett, skylt godt og tørk godt av kjøttet med papirhåndklær.
- Hvis du bruner kjøtt på forhånd, kan fettets siles av før langkokingen, noe som også gir en rikere smak.
- Kjøtt skal plasseres slik at det hviler i tilberedningsbollen uten å berøre lokket.
- For mindre eller større kjøttstykker, tilpass mengden av grønnsaker eller poteter slik at bollen alltid er mellom halvfull og tre fjerdedels full.
- Størrelsen på kjøttstykket og de anbefalte koketidene er bare anslått tid og kan variere, avhengig av det aktuelle kjøttstykket og beinstrukturen. Magert kjøtt, for eksempel kylling eller svinefilet, har en tendens til å koke raskere enn annet kjøtt med mer bindevev og fett, som oksehøyrygg eller svinebog. Hvis kjøttet kokes med bein i motsetning til beinløst, vil dette kreve lengre koketid.
- Skjær kjøttet i mindre biter når det skal kokes med ferdigkokt mat, som bønner eller frukt, eller lette grønnsaker som sopp, hakket løk, aubergine eller finhakkede grønnsaker. All maten blir da kokt med samme hastighet.

FISK:

- Fisk koker raskt og bør tilsettes på slutten av kokesyklusen i løpet av de siste femten minuttene til en time med koking.

RENGJØRING

Koble ALLTID langsmokokeren fra stikkkontakten og la den kjøle seg ned før rengjøring.

FORSIKTIG: Dypp aldri varmesokkelen, strømledningen eller kontakten i vann eller annen væske.

Lokket og tilberedningsgryten kan vaskes i oppvaskmaskin eller med varmt såpevann. Ikke bruk skuremidler eller skuresvamper. En klut, svamp eller gummislikkpeppert er vanligvis tilstrekkelig til å fjerne matrester. Bruk et rengjøringsmiddel som ikke sliper eller eddik til å fjerne vannflekker eller andre flekker.

Akkurat som andre keramiske produkter, tåler ikke tilberedningsgryten og lokket plutselige temperaturendringer. Ikke vask tilberedningsgryten eller lokket med kaldt vann når de er varme.

Utsiden av varmesokkelen kan rengjøres med en myk klut og varmt såpevann. Tørk den. Ikke bruk skuremidler.

Du skal ikke utføre annet vedlikehold.

MERK: Etter rengjøring for hånd lar du tilberedningsgryten lufttørke før den settes til oppbevaring.

GARANTI

Vennligst behold kvitteringen, som kreves for eventuelle hevdelser under garantien.

Dette produktet garanteres i 2 år etter salgsdato, i samsvar med betingelser som gjengis i dette dokumentet.

Under garantiperioden, hvis enheten usannsynligvis slutter å fungere grunnet en design- eller fabrikanfeil, skal den leveres tilbake til innkjøpsstedet sammen med kvittering og kopi av garantien.

Rettigheter og fordeler som gis under garantien, kommer i tillegg til lovmessige rettigheter, som ikke berøres av garantien. Kun Jarden Consumer Solutions (Europe) Limited ("JCS (Europe)") har rett til å endre disse betingelsene.

JCS (Europe) påtar seg, innen garantiperioden å gratis reparere eller erstatte enheten, eller enhver defekt del av enheten, forutsatt at:

- Du umiddelbart gir beskjed til innkjøpsstedet eller JCS (Europe) om problemet; og
- at enheten ikke er modifisert på noe vis, eller utsatt for skade, feilbruk, misbruk, reparasjon eller modifikasjon av noen som ikke er autorisert av JCS (Europe).

Feil som oppstår fra feilaktig bruk, skade, misbruk, bruk med feil strømspenning, naturfenomener, hendelser utenom JCS (Europe) kontroll, reparasjon eller modifikasjon av en person utenom JCS (Europe)-autorisert servicepersonell, eller unnlattelse i å følge disse bruksanvisninger, dekkes ikke av denne garantien. I tillegg vil alminnelig bruksslitasje, inkludert, men ikke begrenset til, mindre misfarging og riper, ikke bli garantidekket.

Rettigheter som dekkes av denne garantien skal kun gjelde for originalkunden, og kan ikke videreføres til kommersielt eller felles bruk.

Hvis din enhet omfattes av landsspesifikk garanti eller garantivedlegg, henvises det til vilkårene som gjelder for slike garantier framfor det som framgår nedenfor. Du kan også henvende deg til din lokale autoriserte representant for mer informasjon.

Elektriske produkter skal ikke avhendes sammen med husholdningsavfall. Lever elektriske produkter ved egnede anlegg. Send oss en e-post på enquiriesEurope@jardencs.com for mer informasjon om resirkulering og WEEE.

Jarden Consumer Solutions (Europe) Limited
5400 Lakeside
Cheadle Royal Business Park
Cheadle
SK8 3GQ
United Kingdom



POLSKI

WAŻNE ZASADY BEZPIECZEŃSTWA

UWAŻNIE PRZECZYTAJ I ZACHOWAJ NA PRZYSZŁOŚĆ

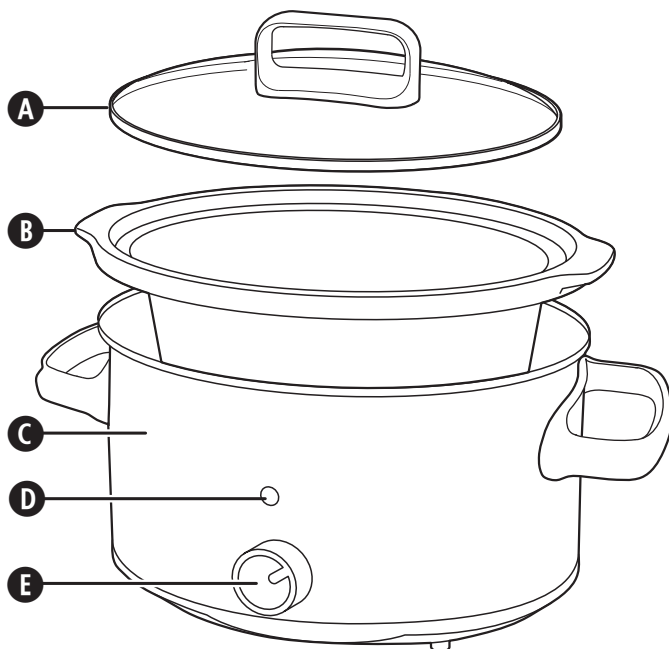
Urządzenie to może być używane przez dzieci od 8. roku życia oraz osoby o ograniczonej sprawności fizycznej, czuciowej lub psychicznej lub osoby niemające doświadczenia ani wiedzy, pod warunkiem że korzystają z urządzenia pod nadzorem lub zostały poinstruowane odnośnie do bezpiecznego używania urządzenia oraz mają świadomość ryzyka związanego z jego użytkowaniem. Dzieci nie powinny bawić się urządzeniem. Dzieci nie powinny czyścić ani konserwować urządzenia, chyba że mają więcej niż 8 lat i są nadzorowane. Urządzenie oraz przewód należy przechowywać poza zasięgiem dzieci w wieku poniżej 8 lat.

 Podczas użytkowania urządzenia części mogą stać się gorące.

W celu uniknięcia zagrożenia uszkodzony przewód zasilający może być wymieniony jedynie przez producenta, autoryzowany serwis lub wykwalifikowaną osobę.

Nigdy nie używaj urządzenia niezgodnie z jego przeznaczeniem. Urządzenie jest przeznaczone wyłącznie do użycia w gospodarstwie domowym. Nie wolno go używać na zewnątrz.

- Urządzenie wytwarza ciepło podczas działania. Należy zachować odpowiednie środki ostrożności, aby nie dopuścić do spalenia, oparzenia, pożaru ani jakichkolwiek obrażeń u osób oraz szkód materialnych w wyniku dotknięcia obudowy podczas działania urządzenia lub stygnięcia.
- Nigdy nie dotykaj wtyczki ani wyłącznika zasilania wilgotnymi rękami.
- Zawsze używaj urządzenia na stabilnej, bezpiecznej, suchej i poziomej powierzchni.
- Tego urządzenia nie można umieszczać na żadnych potencjalnie gorących powierzchniach (takich jak kucharki gazowe lub elektryczne) ani w ich pobliżu.
- Nie używaj urządzenia, które zostało upuszczone i posiada widoczne oznaki uszkodzenia lub przecieka.
- Przed czyszczeniem urządzenie musi zostać wyłączone i odłączone od gniazda zasilania.
- Przed czyszczeniem lub odłożeniem na miejsce przechowywania urządzenie musi ostygnąć.
- Nigdy nie zanurzaj żadnej części urządzenia, przewodu zasilającego lub wtyczki w wodzie ani w żadnej innej cieczy.
- Przewód zasilający nie może zwiisać nad krawędzią blatu ani dotykać gorących powierzchni; nie wolno go zapętląć, przycinać ani przyciskać.
- Podczas działania urządzenia nie dotykaj jego zewnętrznych powierzchni, ponieważ mogą być bardzo gorące. Zdejmując pokrywę, korzystaj z rękawic kuchennych lub ściereczki. Podczas zdejmowania pokrywy uważaj na ulatniającą się parę.
- NIGDY nie próbuj podgrzewać posiłków bezpośrednio na podstawie. Zawsze korzystaj z wyjmowanego naczynia do gotowania.
- Niektóre powierzchnie nie są odporne na długotrwałe działanie ciepła wytwarzanego przez określone urządzenia. Nie ustawiaj urządzenia na powierzchni, która może zostać uszkodzona na skutek działania ciepła. Zalecamy postawienie urządzenia na podkładce izolacyjnej lub podstawie w celu ochrony powierzchni przed ewentualnym uszkodzeniem.
- Pokrywkę wolnowaru wykonano ze szkła hartowanego. Zawsze sprawdzaj, czy na pokrywie nie ma pęknięć, odprysków ani innych uszkodzeń. Nie korzystaj ze szklanej pokrywy, jeśli jest uszkodzona, ponieważ może pęknąć podczas używania.



CZĘŚCI

- A** Pokrywa
- B** Kamionkowe naczynie do gotowania
- C** Moduł podstawy grzewczej
- D** Kontrolka zasilania
- E** Regulator

PRZYGOTOWANIE DO UŻYTKU

Przed użyciem wolnowaru Crock-Pot® wyjmij wypełnienie zabezpieczające i umyj pokrywę oraz kamionkowe naczynie ciepłą wodą ze środkiem pianiącym, a następnie dokładnie wysusz. **PRZESTROGA!** Nie wolno zanurzać podstawy grzewczej, przewodu zasilającego ani wtyczki w wodzie ani w żadnej innej cieczy.

WAŻNE UWAGI: Niektóre blaty i powierzchnie stołowe nie są odporne na długotrwałe działanie ciepła wytwarzanego przez określone urządzenia. Nie stawiaj nagrzanego urządzenia na powierzchniach nieodpornych na wysoką temperaturę. Zalecamy postawienie wolnowaru na podkładce izolacyjnej lub podstawce w celu ochrony powierzchni.

Należy uważać podczas stawiania kamionkowego naczynia na delikatnej powierzchni, np. szklanej lub ceramicznej płycie kuchenki czy szklanym lub ceramicznym blacie, stole itp. Ze względu na szorstkie dno kamionkowe naczynie może zarysować niektóre powierzchnie w przypadku nieostrożnej obsługi. Przed ustawieniem naczynia kamionkowego na stole lub blacie należy umieścić pod nim podkładki ochronne.

W początkowym okresie użytkowania urządzenia może pojawić się lekki dym lub zapach. Jest to normalne zjawisko w przypadku wielu urządzeń grzewczych i po kilkukrotnym użyciu nie będzie już występować.

SPOSÓB UŻYWANIA WOLNOWARA

1. Postaw kamionkowe naczynie na podstawie grzewczej, umieść w nim składniki i przykryj pokrywą.
2. Podłącz wolnowar do źródła zasilania i wybierz wysoką (☰) lub niską (☷) temperaturę gotowania za pomocą regulatora.

UWAGA! Ustawienie PODTRZYMANIE TEMPERATURY (☰) służy WYŁĄCZNIE do utrzymania w ciepłe potrawy, która już jest ugotowana. NIE wykorzystuj ustawienia PODTRZYMANIE TEMPERATURY do gotowania. Nie zalecamy stosowania ustawienia PODTRZYMANIE TEMPERATURY dłużej niż przez 4 godziny.

3. Po zakończeniu gotowania odłącz wolnowar od zasilania i odstaw do ostygnięcia przed czyszczeniem.

UWAGI DOTYCZĄCE UŻYTKOWANIA

- Można także ręcznie przełączyć urządzenie na ustawienie PODTRZYMANIE TEMPERATURY (☰) po zakończeniu gotowania potrawy.
- Aby uniknąć niedogotowania, należy zawsze napełniać kamionkowe naczynie do $\frac{1}{2}$ – $\frac{3}{4}$ objętości i przestrzegać zalecanych czasów gotowania.
- Nie przepelniaj naczynia. Aby zapobiec wylewaniu się zawartości, napełniaj kamionkowe naczynie maksymalnie do $\frac{3}{4}$ objętości.
- Zawsze gotuj przez zalecany czas z założoną pokrywą. Aby zapewnić wydajne nagrzewanie urządzenia, nie zdejmuj pokrywy podczas pierwszych dwóch godzin gotowania.
- Dotykając pokrywy lub kamionkowego naczynia, zawsze korzystaj z rękawic kuchennych.
- Po zakończeniu gotowania i przed czyszczeniem urządzenia odłącz je od zasilania.
- Wyjmowane kamionkowe naczynie i pokrywa nadają się do stosowania w piekarniku. Nie należy stawiać kamionkowego naczynia na palniku (gazowym ani elektrycznym) ani pod grillem.

WSKAZÓWKI I PORADY DOTYCZĄCE GOTOWANIA

- Odkrój tłuszcz i dobrze wypłucz mięso, aby usunąć zanieczyszczenia. (Jeśli mięso zawiera dużo tłuszczu, zrumień je w rondlu i starannie osącz). Przypraw solą i pieprzem. Umieść mięso w naczyniu do gotowania, kładąc je na warzywach.
- Przygotowując pieczeń lub gulasz, polej mięso płynem. Użyj tylko tyle płynu, ile wskazano w przepisie. Podczas powolnego gotowania w mięsie i warzywach pozostaje więcej soku niż w trakcie normalnego gotowania.
- Większość warzyw należy pokroić na cienkie plasterki albo umieścić w pobliżu dna lub boków kamionkowego naczynia. W wolnowarze mięso najczęściej gotuje się szybciej niż większość warzyw.
- Aby potrawy gotowane w wolnowarze miały bogaty smak i intensywny zapach, używaj całych liści ziół.
- Ponieważ wolnowar nie jest bezpośrednio ogrzewany z dołu, napełniaj go co najmniej do połowy objętości, aby uzyskać zgodność z czasami wskazanymi w przepisie. Przyrządzanie mniejszych ilości jedzenia może wymagać modyfikacji czasu gotowania.
- Płyn wskazany w przepisie można zamienić na inny, zachowując tę samą objętość. Można na przykład zastąpić puszkę zupy puszką pomidorów, a filiżankę bulionu wołowego lub drobiowego filiżanką wina.
- Przed dodaniem do słodkich lub kwaśnych potraw nasiona fasoli muszą być zupełnie miękkie. (UWAGA! Cukier i kwas powodują twardnienie fasoli, uniemożliwiając mięknięcie).

WSKAZÓWKI DOTYCZĄCE MODYFIKACJI PRZEPISÓW

Niniejsze wskazówki mają ułatwić dostosowywanie normalnych przepisów pod kątem wolnowara. Podczas korzystania z wolnowara wiele standardowych etapów przygotowawczych można pominąć. W większości przypadków wszystkie składniki można umieścić w wolnowarze od razu i gotować przez cały dzień. Uwagi ogólne:

- Potrawa musi gotować się wystarczająco długo.
- Gotuj z założoną pokrywą.
- Aby uzyskać najlepsze rezultaty oraz zapobiec wysychaniu i przypalaniu się potraw, zawsze stosuj odpowiednią ilość płynu, przygotowując przepis.

- Może się wydawać, że nasze przepisy zawierają dość małą ilość cieczy, jednak proces powolnego gotowania różni się od innych metod gotowania w taki sposób, że dodana ilość płynu w trakcie gotowania niemal dwukrotnie rośnie. Jeśli więc dostosowujesz przepis pod kątem wolnowaru, przed rozpoczęciem gotowania zredukuj dodawaną ilość płynu.

CZAS W PRZEPISIE	USTAWIENIE NISKIEJ TEMPERATURY	USTAWIENIE NISKIEJ TEMPERATURY
15 - 30 minut	4 - 6 godzin	1½ - 2 godzin
30 - 45 minut	6 - 10 godzin	3 - 4 godzin
50 minut-3 godziny	8 - 10 godzin	4 - 6 godzin

MAKARONY I RYŻ:

- W celu uzyskania najlepszych rezultatów stosuj ryż długoziarnisty, chyba że w przepisie przewidziano inaczej. Jeśli po wskazanym czasie ryż nie jest w pełni ugotowany, dodaj 1–1½ szklanki płynu na każdą szklankę ryżu i gotuj dalej przez 20 do 30 minut.
- Makaron dodaj do wolnowara na 30–60 minut przed końcem gotowania.

FASOLA:

- Nasiona fasoli muszą zostać poddane w pełni zmiękczeniu przed dodaniem ich do słodkich i (lub) kwaśnych potraw. Cukier i kwas powodują ztwardnienie fasoli i zapobiegają jej mięknięciu.
- Suche nasiona fasoli, szczególnie fasoli czerwonej należy ugotować przed dodaniem ich w ramach przepisu.
- Jako zamiennik suchej fasoli stosować można w pełni gotową fasolę w puszkach.

WARZYWA:

- Powolne gotowanie ma pozytywny wpływ na wiele warzyw i pozwala w pełni wydobyć ich smak. W przypadku gotowania w wolnowarze nie mają one takiej tendencji do rozgotowywania się, jak w przypadku kuchenki czy piekarnika.
- Gotując potrawy z warzywami i mięsem, umieszczaj warzywa w wolnowarze przed włożeniem mięsa. Warzywa gotują się zazwyczaj wolniej w wolnowarze niż mięso i częściowe zanurzenie w płynie podczas gotowania pozytywnie na nie wpływa.
- Aby ułatwić gotowanie, umieść warzywa blisko dna naczynia do gotowania.

ZIOŁA I PRZYPRAWY:

- Świeże zioła dodają smaku i koloru, powinny jednak być dodawane na sam koniec gotowania, gdyż długi czas gotowania powoduje zmniejszenie ich aromatu.
- Mielone i (lub) suszone zioła i przyprawy doskonale nadają się do powolnego gotowania, więc mogą być dodawane już na początku.
- Intensywność ziół i przypraw może się znacznie różnić w zależności od stopnia ich aromatyczności i okresu przechowywania. Używaj przypraw z umiarem, próbując potrawy pod koniec gotowania i doprawiając do smaku przed podaniem.

MLEKO:

- Mleko, śmietanka i kwaśna śmietana mają tendencję do warzenia się podczas długiego gotowania. Jeśli to możliwe, należy dodawać je na 15 do 30 minut przed końcem gotowania.
- Zupy skondensowane mogą stanowić substytut mleka i mogą być gotowane przez dłuższy czas.

MIEŚO:

- Odetnij tłuszcz, dobrze wypłucz, a następnie osusz mięso papierowym ręcznikiem.
- Wcześniej zrumienienie mięsa pozwala, by tłuszcz wysmażył się przed rozpoczęciem wolnego gotowania, i zapewnia większą głębię smaku.
- Mięso powinno być umieszczane wewnątrz naczynia do gotowania w taki sposób, aby nie dotykało pokrywy.
- W zależności od wielkości kawałków mięsa dostosuj odpowiednio ilość warzyw lub ziemniaków tak, aby naczynie było zawsze wypełnione od ½ do ¾ pojemności.
- Wielkość mięsa i zalecany czas gotowania są jedynie wartościami przybliżonymi i mogą być różne w zależności od konkretnego kawałka, jego rodzaju i struktury kości. Chude mięso, jak kurczak czy poledwica wieprzowa, ma tendencję do szybszego gotowania niż mięso z większą ilością tkanki łącznej i tłuszczu, takie jak karkówka wołowa czy łopátka wieprzowa. Mięso z kością wymaga także dłuższego czasu gotowania niż mięso bez kości.
- Potnij mięso na mniejsze kawałki w przypadku gotowania razem z wcześniej gotowanymi składnikami, jak np. fasolą lub owocami albo delikatnymi warzywami, jak grzyby, posiekana cebula, bakłażan czy drobno pokrojone warzywa. Pozwala to na ugotowanie wszystkich składników w tym samym czasie.

RYBY:

- Ryby gotują się szybko i powinny być dodawane pod koniec gotowania potrawy w ciągu ostatnich 15 minut do godziny gotowania.

PRZEPISY

Po więcej przepisów i inspiracji zapraszamy na: www.crock-pot.pl

Zupa z warzyw korzeniowych 4 porcji

150 g marchwi, obranej i pokrojonej na ok. 5-centymetrowe kawałki
150 g selera, obranego i pokrojonego na ok. 5-centymetrowe kawałki
150 g pora, przyciętego, umytego i pokrojonego na ok. 5-centymetrowe kawałki
300 g brukwi, obranej i pokrojonej na ok. 5-centymetrowe kawałki
1 mała cebula, pokrojona w kostkę
800 ml wywaru warzywnego dobrej jakości
1 liść laurowy

Przyprawy

1. Umieść wszystkie składniki w naczyniu kamionkowym i załóż pokrywę.
2. Gotuj przez 6–7 godzin w niskiej temperaturze lub przez 4–5 godzin w wysokiej temperaturze.
3. Po przestygnięciu wyjmij liść laurowy i przelej zupę do dzbanka blendera. Zmiksuj zupę do żądanej konsystencji. Ewentualnie przelej zupę do pojemnika nadającego się do ręcznego blendowania.
4. Podawaj przystrojoną odrobiną śmietany i pokrojonym szczypiorkiem.

Prosta wołowina pieczona w garnku 4 porcji

750 g chudego mostka wołowego
15 ml oleju roślinnego
1 czerwona cebula, obrana i pokrojona
1 marchew, obrana i pokrojona
1 łodyga selera naciowego, umyta i pokrojona
Połowa małej dyni piżmowej, oczyszczona z pestek i pokrojona w grubą kostkę
200 ml dobrego gorącego wywaru wołowego
2 liście laurowe
5 g posiekanych świeżych listków tymianku

1. Mocno rozgrzej patelnię odpowiedniej wielkości. Wlej olej i obsmaż na nim mostek do zrumienienia.
2. Włóż przygotowane warzywa do naczynia kamionkowego. Upewnij się, że są pokrojone w kawałki mniej więcej tej samej wielkości (dzięki temu będą się równomiernie gotować).
3. Połóż zrumieniony mostek na warzywach.
4. Wlej wywar wołowy, a następnie dodaj liście laurowe i tymianek. Załóż pokrywę.
5. Gotuj przez 7–8 godzin w niskiej temperaturze lub przez 5–6 godzin w wysokiej temperaturze.
6. Wyjmij pieczeń z wolnowara i podawaj pokrojoną w grube plastry z gładkim puree ziemniaczanym i duszonymi warzywami.

Duszona gicz jagnięca po śródziemnomorsku 4 porcji

15 ml oleju roślinnego
4 niewielkie gicze jagnięce
1 duża czerwona cebula, grubo pokrojona
1 średnia marchew, obrana i pokrojona
2 ząbki czosnku, posiekane
400 g pomidorów z puszki, pokrojonych
15 g grubo posiekanego świeżego oregano lub 10 g suszonego oregano
250 ml czerwonego wina
30 g koncentratu pomidorowego

1. Mocno rozgrzej patelnię odpowiedniej wielkości, dodaj olej, następnie podsmaż kawałki jagnięciny ze wszystkich stron do zarumienienia.
2. Przełóż jagnięcinę do naczynia kamionkowego, dodaj pozostałe składniki i dobrze wymieszaj, aby je połączyć.
3. Przykryj i gotuj przez 8–9 godzin w niskiej temperaturze lub przez 6–7 godzin w wysokiej temperaturze.
4. W razie potrzeby możesz zagęścić sos odrobiną mąki wymieszanej z wodą. Podawaj z pieczonymi warzywami korzeniowymi i kuskusem.

Jabłka pod kruszonką z orzechami 4 porcji

150 g mąki uniwersalnej
50 g płatków owsianych
100 g drobnego brązowego cukru
3 g mielonego cynamonu
2 g mielonej gałki muszkatołowej
150 g masła, pokrojonego w kostkę
125 g posiekanych orzechów włoskich
50 g cukru pudru (lub do smaku)
20 g mąki kukurydzianej
2,5 g mielonego imbiru
2,5 g mielonego cynamonu
800 g jabłek — obranych, pozbawionych gniazd nasiennych i pokrojonych na plasterki
30 ml soku z cytryny

1. Umieść mąkę, brązowy cukier, płatki, przyprawy i sól w dużej misce. Dodaj pokrojone w kostkę masło i wgniataj palcami do momentu, aż ciasto uzyska konsystencję kruszonki. Dodaj posiekane orzechy włoskie, wymieszaj i odstaw na bok.
2. Pozostaw jedną łyżkę cukru pudru, a jego pozostałą część wymieszaj z cynamonem i gałką muszkatołową w niewielkim naczyniu.
3. Przygotowane jabłka umieść warstwowo w naczyniu kamionkowym, posypując każdą warstwę mieszanką cukru i przypraw korzennych.
4. Wymieszaj odłożony cukier z mąką kukurydzianą i sokiem z cytryny, a następnie polej całość na wierzch wyłożonych jabłek.
5. Posyp całość kruszonką, przykryj pokrywą i gotuj przez 4–5 godzin w niskiej temperaturze lub przez 2–3 godziny w wysokiej temperaturze (lub do momentu, gdy jabłka zmiękną).
6. Po zakończeniu gotowania odsuń częściowo pokrywę na ok. 30 minut, aby kruszonka stwardniała. Podawaj z lodami waniliowymi lub gorącym sosem waniliowym.

CZYSZCZENIE

Przed umyciem należy ZAWSZE wyłączyć wolnowar z gniazdka elektrycznego i odstawić do ostygnięcia.

PRZESTROGA! Nie wolno zanurzać podstawy grzewczej, przewodu zasilającego ani wtyczki w wodzie ani w żadnej innej cieczy.

Pokrywę i kamionkowe naczynie można myć w zmywarce lub ręcznie, gorącą wodą z płynem do naczyń. Nie używaj ostrej myjki ani środków czyszczących o właściwościach ściernych. Do usunięcia pozostałości jedzenia zazwyczaj wystarczy miękka ściereczka, gąbka lub gumowa łopatką. Do usuwania plam z wody używaj octu lub delikatnego środka czyszczącego (bez właściwości ściernych).

Podobnie jak delikatna ceramika, kamionkowe naczynie ani pokrywa nie są odporne na nagłe zmiany temperatury. Nie myj kamionkowego naczynia ani pokrywy zimną wodą, dopóki nie ostygnie.

Zewnętrzne powierzchnie podstawy grzewczej można myć miękką szmatką i ciepłą wodą z detergentem. Wytrzyj do sucha. Nie używaj środków czyszczących o właściwościach ściernych.

Nie należy wykonywać żadnych innych czynności obsługowych ani napraw.

UWAGA! Po umyciu kamionkowego naczynia ręcznie odstaw je do wyschnięcia, zanim zostanie schowane.

GWARANCJA

Prosimy o zachowanie rachunku, ponieważ jego okazanie będzie konieczne w przypadku jakichkolwiek roszczeń gwarancyjnych.

Niniejszy produkt objęty gwarancją obowiązującą przez okres 2 lat od daty zakupu produktu, zgodnie z warunkami określonymi w tym dokumencie.

Jeżeli w okresie gwarancyjnym urządzenie przestanie prawidłowo funkcjonować (co jest mało prawdopodobne) z powodu wad konstrukcyjnych lub wykonawczych, należy dokonać jego zwrotu w punkcie zakupu, załączając rachunek i kopię niniejszej gwarancji.

Prawa i świadczenia z tytułu niniejszej gwarancji uzupełniają prawa określone w przepisach, na które niniejsza gwarancja nie ma wpływu. Zmiany niniejszych warunków może dokonać tylko firma Jarden Consumer Solutions (Europe) Limited („JCS (Europe)”).

Firma JCS (Europe) zobowiązuje się w okresie gwarancyjnym do przeprowadzenia bezpłatnej naprawy lub wymiany urządzenia lub dowolnej jego części, która funkcjonuje nieprawidłowo, pod warunkiem, że:

- Użytkownik powinien natychmiast poinformować o zaistniałym problemie punkt sprzedaży lub firmę JCS (Europe); oraz
- Urządzenie nie było w żaden sposób modyfikowane, uszkodzone lub eksploatowane w niewłaściwy sposób ani naprawiane przez osobę nie posiadającą upoważnienia ze strony firmy JCS (Europe).

Gwarancją nie są objęte uszkodzenia będące wynikiem niewłaściwego użytkowania, zniszczenia, użytkowania przy nieprawidłowym napięciu, działania sił natury lub zdarzeń, na które firma JCS (Europe) nie ma wpływu, napraw dokonywanych przez osoby nie posiadające upoważnienia ze strony firmy JCS (Europe) lub postępowania niezgodnego z zasadami określonymi w instrukcji użytkownika. Ponadto, niniejsza gwarancja nie obejmuje normalnego zużycia i zniszczenia, w tym między innymi, drobnych odbarwień i zadrapań.

Prawa określone w tej gwarancji dotyczą tylko pierwotnego nabywcę produktu i nie obejmują użytkownika o charakterze komercyjnym i komunalnym.

Jeżeli do urządzenia załączona jest ulotka gwarancyjna przeznaczona dla danego kraju, prosimy odwołać się do warunków określonych w tej gwarancji, która zastępuje niniejszą gwarancję, lub skontaktować się z lokalnym autoryzowanym dealerem w sprawie uzyskania dokładniejszych informacji.

Nie należy wyrzucać zużytych artykułów elektrycznych razem z odpadami domowymi. Należy je, w miarę możliwości, poddać recyklingowi. W celu uzyskania szczegółowych informacji na temat recyklingu lub dyrektywy WEEE, skontaktuj się z nami pod adresem enquiriesEurope@jardencs.com.

Jarden Consumer Solutions (Europe) Limited
5400 Lakeside
Cheadle Royal Business Park
Cheadle
SK8 3GQ
United Kingdom



ČESKY

DŮLEŽITÁ BEZPEČNOSTNÍ OPATŘENÍ

ČTĚTE POZORNĚ A USCHOVEJTE PRO POZDĚJŠÍ POUŽITÍ

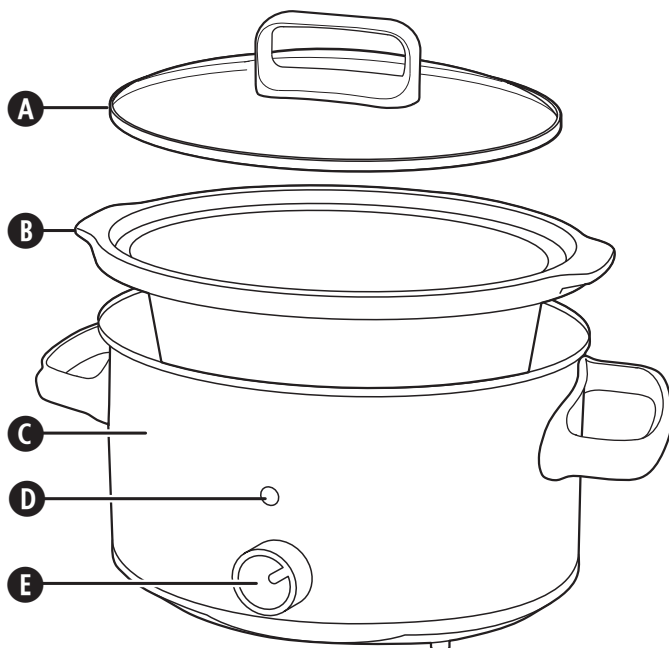
Toto zařízení mohou používat děti od 8 let, osoby s tělesným, senzorickým a mentálním hendikepem a nezkušení uživatelé za předpokladu, že budou pod dohledem nebo poučení o bezpečném použití zařízení a rizicích souvisejících s jeho používáním, a tomuto poučení porozumí. Děti si nesmí se zařízením hrát. Čištění a údržbu zařízení smí provádět pouze děti starší 8 let, a to pouze pod dohledem. Zařízení i napájecí kabel uchovávejte mimo dosah dětí mladších 8 let.

 Části zařízení mohou být během používání horké.

Je-li napájecí kabel poškozen, je nutné, aby jeho výměnu provedl výrobce, jeho servisní zástupce nebo obdobně kvalifikovaná osoba, aby nedošlo k ohrožení.

Nikdy nepoužívejte toto zařízení k jinému účelu, než k jakému je určeno. Toto zařízení je určeno pouze pro domácí použití. Nepoužívejte toto zařízení venku.

- Toto zařízení se při provozu zahřívá. Dbejte na to, abyste se při provozu nebo během chladnutí výrobku nedotýkali jeho pláště. Předejdete tak riziku popálení, opaření, vzniku požáru nebo jinému zranění osob či vzniku škody na majetku.
- Před manipulací se zástrčkou nebo před zapnutím zařízení se ujistěte, že máte suché ruce.
- Zařízení vždy používejte na stabilním, bezpečném, suchém a rovném povrchu.
- Toto zařízení nesmí být umístěno v blízkosti potenciálně horkých povrchů (jako jsou například plynové či elektrické plotny).
- Pokud v důsledku pádu zpozorujete únik vody ze zařízení nebo poškození zařízení, přestaňte zařízení používat.
- Po použití a před čištěním zařízení se ujistěte, že je zařízení vypnuté a není zapojeno do zásuvky.
- Před čištěním či uschováním vždy nechejte zařízení vychladnout.
- Nikdy neponořujte jakoukoli část zařízení, napájecí kabel nebo zástrčku do vody či jiné tekutiny.
- Nikdy nenechávejte napájecí kabel viset z kuchyňské linky, dotýkat se horkých povrchů ani ho nenechávejte zamotaný, přiskřípnutý nebo stlačený.
- Během provozu se nedotýkejte vnějších ploch zařízení, mohou být velmi horké. Při sundávání poklice používejte kuchyňské rukavice nebo utěrku. Při sundávání poklice dávejte pozor na unikající páru.
- NIKDY se nepokoušejte ohřívat potraviny přímo v základní jednotce. Vždy použijte odnímatelnou varnou nádobu.
- Některé povrchy nejsou uzpůsobeny tomu, aby vydržely delší vystavení vysokým teplotám vznikajícím při použití zařízení. Nepokládejte zařízení na povrchy, které by se mohly vlivem vysokých teplot poškodit. Doporučujeme, abyste pod zařízení umístili izolační podložku nebo stojánek a předešli tak případnému poškození povrchu.
- Poklice pomalého hrnce je vyrobena z tvrzeného skla. Vždy zkontrolujte, zda poklice není prasklá nebo jinak poškozená. Jestliže je skleněná poklice poškozená, nepoužívejte ji. Při použití by se mohla roztříštit.



SOUČÁSTI

- A** Poklice
- B** Kameninový hrnec
- C** Ohřivací základna
- D** Kontrolka napájení
- E** Volič nastavení

PŘÍPRAVA K POUŽITÍ

Před použitím pomalého hrnce CrockPot® odstraňte všechny části obalu a umyjte poklici i kameninový hrnec v teplé mýdlové vodě a důkladně je osušte. POZOR: Ohřivací základnu, napájecí kabel ani zástrčku nikdy neponořujte do vody nebo jiné kapaliny.

DŮLEŽITÁ UPOZORNĚNÍ: Některé povrchy kuchyňských linek a stůlů nejsou uzpůsobeny tomu, aby vydržely delší vystavení vysokým teplotám vznikajícím při použití zařízení. Neodkládejte zahřáté zařízení na povrch citlivý vůči vysokým teplotám. Doporučujeme, abyste pomalý hrnec umístili na izolační podložku nebo stojánek a předešli tak případnému poškození povrchu.

Při pokládání kameninového hrnce na keramickou varnou desku, varnou desku z leštěného skla, kuchyňskou linku, stůl nebo jiný povrch buďte opatrní. Mohlo by dojít k poškrábání některých materiálů hrubým povrchem dna kameninového hrnce. Při pokládání kameninového hrnce na stůl nebo na kuchyňskou linku pod něj vždy nejprve umístěte ochrannou podložku.

Během prvního použití zařízení se může objevit mírný kouř a zápach. Jedná se o běžný stav u všech zahřívajících se zařízení, který po několika použitích vymizí.

JAK POUŽÍVAT POMALÝ HRNEC

1. Vložte kameninový hrnec do ohřívací základny, přidejte do hrnce suroviny a nasaďte poklici.
2. Připojte pomalý hrnec do zásuvky a otočte volič nastavení do polohy vysoké teploty (III) nebo nízké teploty (II).
POZNÁMKA: Nastavení ohřev (III) slouží POUZE k udržování teploty již uvařeného jídla. NEVÁŘTE pomocí nastavení ohřev. Nedoporučujeme používat nastavení ohřev po dobu více než 4 hodin.
3. Po dokončení vaření odpojte pomalý hrnec ze zásuvky a před čištěním jej nechte zchladnout.

POZNÁMKY K POUŽITÍ

- V případě potřeby můžete po dokončení přípravy pokrmu ručně přepnout regulátor na nastavení ohřev (III).
- Pokud se chcete vyhnout nedovaření nebo naopak rozvaření, vždy naplňte hrnec do $\frac{1}{2}$ až $\frac{3}{4}$ a dodržujte doporučenou dobu vaření.
- Hrnec nepřepíňujte. Neplňte hrnec více než do $\frac{3}{4}$, aby nedošlo k přelítí.
- Vždy vařte s nasazenou poklicí a po doporučenou dobu. Neoddělávejte poklici během prvních dvou hodin vaření, aby se mohlo účinně kumulovat teplo.
- Při manipulaci s poklicí nebo hrncem vždy používejte kuchyňské chňapky.
- Po dokončení vaření a před čištěním odpojte hrnec ze zásuvky.
- Odnímatelná kameninová nádoba a poklice jsou žáruvzdorné. Nepoužívejte vyjímatelný hrnec na plynovém hořáku, elektrické plotýnce nebo pod grilem.

TIPY A RADY K VAŘENÍ

- Odřežte tučné části a dobře otřete maso, abyste odstranili nežádoucí částečky. (Pokud maso obsahuje tuk, opečte ho dohněda a přebytečný tuk odsajte). Dochutěte maso solí a pepřem. Pokud připravujete maso spolu se zeleninou, pokládejte maso nahoru.
- Při přípravě dušeného masa a roštěné přelijte maso tekutinou. Nepoužívejte více tekutiny, než je uvedeno v receptu. Během pomalého vaření si maso a zelenina zachovávají více šťávy než v případě tradičního vaření.
- Většinu zeleniny byste měli nakrájet natenko nebo ji vložit ke stěnám či dnu kameninového hrnce. V pomalém hrnci se zpravidla maso uvaří rychleji než většina zeleniny.
- Nejplnější chuti při pomalém vaření dosáhnete přidáním nadržencých bylinek a koření.
- Jelikož na dno nepůsobí žádný přímý žár, vždy naplňte kameninový hrnec nejméně do poloviny, abyste se mohli řídit doporučenými časy. Připravit lze i malá množství, ale v takovém případě může být nezbytné upravit dobu vaření.
- Konkrétní tekutinu uvedenou v receptu lze změnit, pokud u náhrady dodržíte stejné množství. Například plechovku omáčky lze nahradit plechovkou rajčat a stejně tak lze nahradit 1 hrnek hovězího či kuřecího vývaru 1 hrnkem vína.
- Fazole musí úplně změkknout, než je bude možné kombinovat se sladkými nebo kyselými jidly. (POZNÁMKA: Cukr a kyselé látky způsobí tvrdnutí fazolí a zabrání jejich změkknutí.

POKYNY K PŘÍZPŮSOVÁNÍ RECEPTŮ

Tyto pokyny vám pomohou s přizpůsobením vašich vlastních receptů i dalších receptů určených pro pomalý hrnec. Řada běžných kroků přípravy není při použití pomalého hrnce potřeba. Ve většině případů lze dát všechny suroviny přímo do pomalého hrnce a vařit je třeba celý den.

Obecně:

- Umožněte dostatečně dlouhou dobu vaření.
- Vařte s nasazenou poklicí.
- K dosažení nejlepších výsledků a k zabránění vysušení či spálení pokrmů používejte patřičné množství tekutin dle receptu.

- Mohlo by se zdát, že naše recepty obsahují málo tekutiny. Pomalý hrncov však funguje jiným způsobem než ostatní způsoby vaření a objem tekutiny se během vaření téměř zdvojnásobí. Pokud chcete v pomalém hrnci připravit klasický recept, snižte před vařením množství tekutiny.

DOBA VAŘENÍ	VAŘENÍ PŘI TEPLOTĚ LOW (nízká)	VAŘENÍ PŘI TEPLOTĚ HIGH (vysoká)
15 až 30 minut	4 až 6 hodin	1½ až 2 hodin
30 až 45 minut	6 až 10 hodin	3 až 4 hodin
50 minut až 3 hodiny	8 až 10 hodin	4 až 6 hodin

TĚSTOVINY A RÝŽE:

- Pokud recept obsahuje nudle, špagety apod., předvařte je na klasickém sporáku do poloměkka a na posledních 30 minut vaření je vložte do pomalého hrnce. Pokud používáte rýži, smíchejte ji spolu s dalšími ingrediencemi a přidejte navíc ¼ hrnku vody na každého ¼ hrnku rýže. Vhodnější je dlouhozrná rýže.

FAZOLE:

- Fazole je třeba před přidáním cukru anebo kyselých potravin nechat úplně změkhnout. Působením cukru a kyseliny fazole tvrdnou a neuvaří se.
- Sušené fazole, zejména ty červené, by se měly před přidáním k dalším přísadám receptu uvařit.
- Sušené fazole lze nahradit zcela uvařenými konzervovanými fazolemi.

ZELENINA:

- Pro mnohé druhy zeleniny je pomalé vaření přínosné, neboť se v nich rozvine intenzivní chuť. V pomalém hrnci nedochází k rozvaření zeleniny, jak by tomu mohlo být v troubě či na vařiči.
- Při vaření pokrmů obsahujících zeleninu i maso vložte do pomalého hrnce nejprve zeleninu a potom přidejte maso. Zelenina se v pomalém hrnci obvykle vaří pomaleji než maso.
- Zeleninu vkládejte co nejlíže ke dnu varné nádoby, abyste zkrátili vaření.

BYLINKY A KOŘENÍ:

- Čerstvé bylinky dodávají chuť a barvu, ale měly by se do jídla přidávat až na konci vaření, neboť při dlouhém vaření svou chuť ztrácejí.
- Mleté či sušené bylinky a koření jsou pro pomalé vaření ideální a lze je přidat už na samém začátku.
- Chuťová intenzita všech bylinek a koření se může velmi různit v závislosti na konkrétní síle a trvanlivosti. Bylinky použijte střídavě. Ochutnejte pokrm na konci doby vaření a před servírováním jídlo dochutte.

MLÉKO:

- Mléko, sladká a kyselá smetana se mohou při dlouhém vaření rozkládat. Pokud možno je do pokrmů přidávejte až během posledních 15 až 30 minut vaření.
- Mléko lze nahradit kondenzovanými polévkami, které se mohou vařit dlouhou dobu.

MASO:

- Z masa okrájejte tlusté, dobře maso opláchněte a osušte papírovými ubrousky.
- Pokud maso před pomalým vařením osmahnete, zbavíte se tak přebytečného tuku a docílíte lepší chuti a aroma.
- Maso do varné nádoby vložte tak, aby se nedotýkalo poklice.
- Podle velikosti kousků masa upravte množství zeleniny či brambor, aby nádoba byla vždy naplněna do ½ až ¾.
- Velikost masa a doporučená doba vaření jsou pouze přibližné a mohou se lišit v závislosti na konkrétním kousku, druhu masa a velikosti kostí. Libové maso jako například kuřecí či vepřová panenka se vaří rychleji než vláknité a tučné maso jako hovězí plecko nebo vepřové ramínko. Vaření masa s kostí prodlouží dobu vaření oproti masu bez kostí.
- Nakrájejte maso na malé kousky, když ho vaříte společně s předvařenými potravinami, jako jsou fazole, ovoce či lehká zelenina, např. houby, na kostičky nakrájená cibule, lilek nebo nadrobno nakrájená zelenina. Umožní se tak, aby se všechny přísady vařily stejně dlouho.

RYBY:

- Ryby se vaří rychle, a proto je vhodné je přidat ke konci vaření v posledních patnácti minutách až hodině vaření.

RECEPTY

Polévka z kořenové zeleniny 4 porce

150 g mrkve, oloupané a nakrájené na asi 5cm kousky
150 g celeru, oloupaného a nakrájeného na asi 5cm kousky
150 g pórků, seříznutého, umytého a nakrájeného na asi 5cm kousky
300 g tuřínu, oloupaného a nakrájeného na asi 5cm kousky
1 malá cibule nakrájená najemno
800 ml kvalitního zeleninového vývaru
1 bobkový list
koření

1. Vložte všechny suroviny do kameninové nádoby a přiklopte poklici.
 2. Vařte 6–7 hodin na nízký výkon nebo 4–5 hodin na vysoký výkon.
 3. Před tím, než vyjmete bobkový list a přendáte suroviny do nádoby mixéru, nechte je mírně zchladnout. Rozmixujte polévku na požadovanou konzistenci. Případně můžete polévku přelít do nádoby vhodné k použití ručního mixéru.
 4. Podávejte ozdobené zakysanou smetanou a nakrájenou pažitkou.
-

Rychlá hovězí pečeně 4 až 5 porcí

750 g hovězího hrudí
15 ml rostlinného oleje
1 červená cibule, oloupaná a nakrájená
1 mrkev, oloupaná a nakrájená
1 celer, umytý a nakrájený
1/2 menší máslové dýně, oloupané, zbavené semínek a nahrubo nakrájené
200 ml kvalitního horkého hovězího vývaru
2 bobkové listy
5 g čerstvého tymiánu

1. Rozehřejte vhodnou pánev na smažení. Přidejte olej a maso nechte zatáhnout, až zhnědne.
2. Vložte připravenou zeleninu do kameninové nádoby. Zelenina by měla být nakrájená přibližně na stejné kousky (aby se rovnoměrně provařila).
3. Položte opečené maso na zeleninu.
4. Přilijte hovězí vývar a přidejte dva bobkové listy a tymián. Nasadte poklici.
5. Vařte 7–8 hodin na nízký výkon nebo 5–6 hodin na vysoký výkon.
6. Vyjměte maso z nádoby a podávejte nakrájené na silné plátky se štouchanými bramborami a pomalu uvařenou zeleninou.

Středomoří dušené jehněčí špalíčky 4 porce

15 ml rostlinného oleje
4 menší jehněčí špalíčky
1 velká červená cibule, nahrubo nakrájená
1 střední mrkev, oloupaná a nakrájená
2 stroužky česneku, nakrájené
400 g loupaných rajčat z plechovky
15 g nahrubo nakrájeného čerstvého oregana nebo 10 g sušeného oregana
250 ml červeného vína
30 g rajčatového pyré

1. Rozehřejte vhodnou pánev na smažení, přidejte olej a orestujte jehněčí špalíčky dohněda za všech stran.
2. Vložte jehněčí do kameninové nádoby, přidejte zbylé suroviny a vše důkladně promíchejte.
3. Vařte 8–9 hodin na nízký výkon nebo 6–7 hodin na vysoký výkon.
4. V případě potřeby zahustěte omáčku trochou kukuřičného škrobu rozmíchaného ve vodě. Podávejte s restovanou kořenovou zeleninou a kuskusem.

Drobenkový koláč s jablky a oříšky 4 porce

150 g hladké mouky
50 g ovesných vloček
100 g hnědého cukru
3 g mleté skořice
2 g muškátového oříšku
150 g másla, nakrájeného na kostky
125 g nasekaných vlašských ořechů
50 g moučkového cukru, nebo dle chuti
20 g kukuřičného škrobu
2,5 g mletého zázvoru
2,5 g mleté skořice
800 g jablek na vaření – oloupaných, zbavených jádřince a nakrájených na plátky
30 ml citronové šťávy

1. Vložte mouku, hnědý cukr, ovesné vločky a koření do velké mísy. Přidejte máslo nakrájené na kostky a prsty směs vypracujte do podoby drobenky. Vmíchejte nasekané vlašské ořechy a nechejte směs odpočinout.
2. Dejte stranou jednu polévkovou lžici cukru a zbylý cukr smíchejte v malé nádobě se skořicí a zázvorem.
3. Připravená jablka pokládejte v několika vrstvách do kameninové nádoby a každou vrstvu posypte cukrem a směsí koření.
4. Smíchejte odložený moučkový cukr, kukuřičný škrob a šťávu z citronu a nalijte směs na horní vrstvu jablek.
5. Poté přidejte drobenkovou směs, nasadte poklici a vařte 4–5 hodin na nízký výkon nebo 2–3 hodiny na vysoký výkon (nebo dokud jablka nezměknou).
6. Po dokončení vaření částečně odkryjte poklici a nechte drobenkovou vrstvu asi 30 minut ztuhnout. Podávejte s vanilkovou zmrzlinou nebo horkým pudinkovým krémem.

ČIŠTĚNÍ

Před čištěním VŽDY odpojte pomalý hrnec ze zásuvky a nechte jej zchladnout.

POZOR: Ohřívací základnu, napájecí kabel ani zástrčku nikdy neponořujte do vody nebo jiné kapaliny.

Poklici a kameninový hrnec můžete mýt v myčce nebo v horké mýdlové vodě. K čištění nepoužívejte abrazivní čisticí přípravky ani drátěnku. Zbytky zpravidla odstraníte hadříkem, houbičkou nebo gumovou stěrkou. Vodní mapy a jiné skvrny odstráňte pomocí neabrazivního čisticího přípravku nebo octa.

Hrnc a poklice jsou vyrobeny z jemné keramiky, proto nevydrží náhlé změny teploty. Neumývejte hrnec ani poklici pod studenou vodou, pokud jsou ještě horké.

Vnější část ohřívací základny lze očistit měkkým hadříkem v teplé mýdlové vodě. Všechny části důkladně osušte.

Nepoužívejte abrazivní čisticí přípravky.

Veškerý servis přenechejte odborníkům.

POZNÁMKA: Po ručním čištění nechte hrnec na vzduchu oschnout a teprve poté jej uskladněte.

ZÁRUKA

Doklad o koupi přístroje pečlivě uschovejte. Je potřeba při reklamaci v rámci této záruky.

Tento výrobek podléhá 2 leté záruční době od data zakoupení, jak je uvedeno dále v dokumentu.

Pokud během záruční doby dojde k nepravděpodobné situaci, že přístroj přestane fungovat kvůli konstrukční či výrobní závadě, dopravte ho do prodejny, kde jste jej koupili, včetně dokladu o koupi a tohoto záručního listu.

Práva a výhody v rámci této záruky doplňují vaše zákonná práva, která nejsou touto zárukou dotčena. Pouze Jarden Consumer Solutions (Europe) Limited (dále jen „JCS (Europe)“) má právo měnit tyto podmínky.

JCS (Europe) se během záruční doby zavazuje k bezúplatné opravě či náhradě přístroje nebo jakékoli součásti, která řádně nefunguje, za těchto podmínek:

- na daný problém neprodleně upozorníte příslušnou prodejnu nebo JCS (Europe), a
- na zařízení nebyly provedeny žádné změny, zařízení nebylo poškozeno ani používáno nesprávným způsobem nebo opraveno osobou, která nemá oprávnění JCS (Europe).

Tato záruka se nevztahuje na závady, k nimž dojde nesprávným užitím, poškozením, zneužitím, zavedením nesprávného napětí, vyšší mocí či událostmi, nad nimiž JCS (Europe) nemá kontrolu, opravou či úpravou někoho jiného než osoby, která má oprávnění JCS (Europe), nebo kvůli jiným postupům než jsou popsány v návodu k obsluze. Tato záruka se navíc nevztahuje na běžné opotřebení včetně – ale bez omezení jen na ně – menších barevných změn a poškrábání povrchu.

Práva v rámci této záruky se týkají pouze osoby, která zařízení původně zakoupila, a nelze je rozšířit na komerční ani komunální využití.

Pokud se na vaše zařízení vztahuje záruka specifická pro konkrétní stát nebo pokud byl k zařízení přiložen záruční list, najdete další informace v podmínkách dané záruky nebo je získáte od místního autorizovaného prodejce.

Elektrická zařízení určená k likvidaci nesmí být zlikvidována jako domovní odpad. Jestliže je to možné, recyklujte prosím. Chcete-li získat více informací o recyklaci a směrnicích WEEE, napište nám na enquiriesEurope@jardens.com.

Jarden Consumer Solutions (Europe) Limited
5400 Lakeside
Cheadle Royal Business Park
Cheadle
SK8 3GQ
United Kingdom



SLOVENČINA

DŔLEŽITÉ BEZPEČNOSTNÉ POKYNY

**PREČÍTAJTE SI ICH POZORNE A ODLOŽTE SI ICH,
AK BY STE ICH V BUDÚCNOSTI POTREBOVALI**

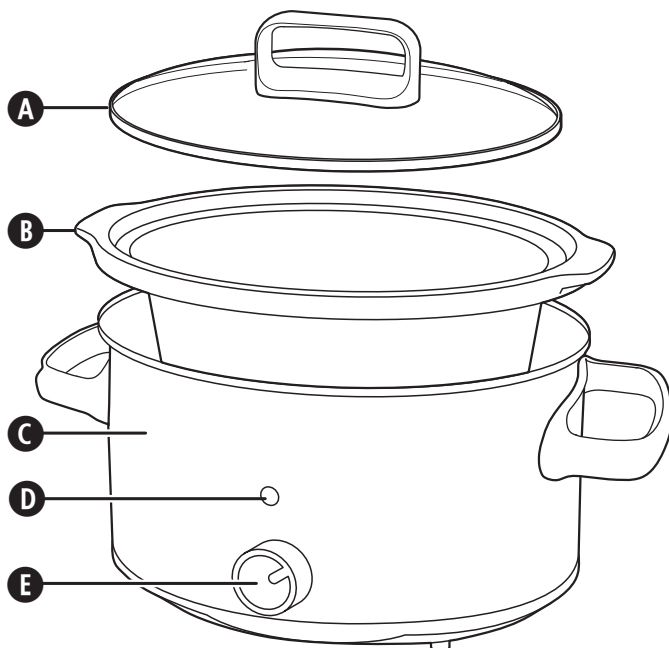
Spotrebič môžu používať deti vo veku od 8 rokov a osoby so zníženými fyzickými, zmyslovými alebo psychickými schopnosťami alebo nedostatkom skúseností a vedomostí, pokiaľ ho používajú pod dohľadom alebo na základe pokynov na používanie tohto spotrebiča bezpečným spôsobom a rozumejú prípadným rizikám. Nenechávajú deti hrať sa so spotrebičom. Čistenie a údržbu zo strany používateľa nemajú vykonávať deti mladšie ako 8 rokov a bez dohľadu. Uchovávajú spotrebič a jeho kábel mimo dosahu detí mladších ako 8 rokov.

⚠ Jednotlivé diely zariadenia sa môžu pri používaní zahrievať.

Ak je napájací kábel poškodený, musí ho vymeniť výrobca, servisný technik alebo podobne kvalifikovaná osoba, aby sa predišlo riziku.

Tento výrobok nikdy nepoužívajte na iný, než určený účel. Výrobok je určený iba pre používanie v domácnosti. Výrobok nepoužívajte vo vonkajšom prostredí.

- Tento výrobok pri používaní vytvára teplo. Preto je potrebné podniknúť adekvátne opatrenia, aby sa predišlo popáleniu, obareniu, požiaru alebo iným zraneniam osôb alebo škodám na majetku spôsobeným dotykom so zovňajškom počas používania alebo chladnutia.
- Výrobok pripájajte do zásuvky alebo zapínajte iba so suchými rukami.
- Výrobok vždy používajte na stabilnom, bezpečnom suchom a rovnom povrchu.
- Spotrebič nikdy nekladte na horúce povrchy (napríklad plynový alebo elektrický sporák) ani vedľa nich.
- Spotrebič, ktorý spadol a sú na ňom viditeľné známky poškodenia, alebo ktorý tečie, nepoužívajte.
- Po použití a pred čistením spotrebiča sa presvedčte, že spotrebič je vypnutý a odpojený od sieťového napájania.
- Pred čistením alebo odložením nechajte spotrebič vychladnúť.
- Žiadnu časť výrobku ani napájací kábel a zástrčku nikdy neponárajte do vody alebo inej kvapaliny.
- Napájací kábel nikdy nenechajte visieť cez hranu pracovnej dosky a zabráňte jeho styku s horúcimi povrchmi, zauzleniu, zalomeniu alebo stlačeniu.
- Počas používania spotrebiča sa nedotýkajte jeho externých plôch, pretože môžu byť veľmi horúce. Pri odstránení pokrievky používajte kuchynské rukavice. Pri odstránení pokrievky dávajte pozor na unikajúcu paru.
- Priamo v základnej jednotke sa NIKDY nepokúšajte zohrievať žiadne jedlo. Stále používajte vyberateľnú misku na varenie.
- Niektoré povrchy nie sú navrhnuté tak, aby vydržali dlhodobé teplo, ktoré vydávajú určité spotrebiče. Spotrebič neumiestňujte na povrch, ktorý môže byť zničený teplom. Odporúčame, aby ste pod spotrebič položili izolačnú podložku alebo podložku pod hrniec, čím sa zabráni prípadnému poškodeniu povrchu.
- Veko pomalovareného hrnce je vyrobené z tvrdého skla. Vždy skontrolujte, či na ňom nie sú štrbiny, praskliny alebo iné poškodenia. Ak je sklenené veko poškodené, nepoužívajte ho, pretože by sa mohlo rozbiť.



SÚČASTI

- A** Pokrievka
- B** Kameninová miska
- C** Ohrevný podstavec
- D** Indikátor napájania
- E** Volič nastavenia

PRÍPRAVA NA POUŽITIE

Než začnete pomalovarný hrniec Crock-Pot® používať, odstráňte všetky obalové materiály a pokrievku aj kameninovú misku umyte teplou mydlovou vodou, pričom ich nechajte dôkladne vyschnúť. **POZOR:** Ohrevný podstavec, prívodný kábel ani zástrčku neponárajte do vody ani inej kvapaliny.

DÔLEŽITÉ POZNÁMKY: Niektoré povrchy kuchynských dosiek a stolov nie sú navrhnuté tak, aby vydržali dlhodobé teplo, ktoré sa uvoľňuje z určitých spotrebičov. Zohriatu jednotku neukladajte na povrch citlivý na teplo. Odporúčame pod pomalovarný hrniec položiť izolačnú podložku alebo dostatočne veľkú trojnožku, čím zabránite prípadnému poškodeniu povrchu.

Pri ukladaní kameninovej misky na keramickú alebo sklenenú varnú dosku, pult, stôl alebo iný povrch postupujte opatrne. Pri neopatrnnej manipulácii môže drsný kameninový povrch niektoré povrchy poškriabať. Keď staviate kameninovú misku na stôl alebo pult, vždy pod ňu umiestnite ochrannú podložku.

Pri prvom použití spotrebiča sa môže objaviť slabý dym a/alebo zápach. Pri ohrevných spotrebičoch je to bežné a tento jav sa po niekoľkých použitíach nebude opakovať.

AKO POUŽÍVAŤ POMALOVARNÝ HRNIEC

1. Kameninová misku vložte do ohrevného podstavca, pridajte ingrediencie a zakryte pokrievkou.
2. Pomalovarný hrniec zapojte do siete a volič nastavenia otočte na vysokú (III) alebo nízku (II) teplotu prípravy.
POZNÁMKA: Nastavenie na UDRŽIAVANIE TEPLoty (III) slúži IBA na udržiavanie teploty už uvareného jedla. Jedlo NEPRIPRAVUJTE pomocou nastavenia na UDRŽIAVANIE TEPLoty. Nastavenie na UDRŽIAVANIE TEPLoty neodporúčame používať dlhšie ako 4 hodiny.
3. Po dokončení prípravy pomalovarný hrniec odpojte a pred čistením ho nechajte vychladnúť.

POZNÁMKY K POUŽÍVANIU

- V prípade potreby môžete po dokončení prípravy ručne prepnúť na nastavenie na UDRŽIAVANIE TEPLoty (III).
- Kameninová misku vždy naplňte do ½ až ¾ a dodržiavajte odporúčané časy prípravy, aby ste predišli prevareniu či nedovareniu jedla.
- Kameninová misku neprepĺňajte. Aby sa zabránilo preliatiu, kameninová misku naplňajte najviac do ¾.
- Vždy varte podľa odporúčanej doby prípravy a s pokrievkou na hrnci. Pokrievku počas prvých dvoch hodín varenia neodstraňujte, vďaka čomu sa vytvorí efektívne teplo.
- Pri manipulácii s pokrievkou alebo kameninovou miskou vždy používajte kuchynské rukavice.
- Spotrebič po dovarení a pred čistením odpojte zo zásuvky.
- Vyberateľná kameninová miska a veko sú žiaruvzdorné. Vyberateľnú kameninová misku nestavajte na plynové horáky, elektrické platničky ani pod rošty.

TIPY A RADY PRI PRÍPRAVE JEDÁL

- Orežte masné kusy mäsa a opláchnite ho. (Ak mäso obsahuje tuk, opečte ho v miske a dobre scedte.) Osolte a okoreňte ho. Mäso vložte do misky na zeleninu.
- Ak pripravujete pečené alebo dusené mäso, zalejte ho tekutinou. Nepoužívajte viac tekutiny než je uvedené v recepte. Počas pomalého varenia sa v mäse a v zelenine udrží viac šťavy než pri bežnom varení.
- Väčšinu zeleniny je potrebné nakrájať najemno alebo umiestniť k stenám alebo dnu kameninovej misky. V pomalovarnom hrnci sa mäso zvykne uvariť skôr než väčšina zeleniny.
- Tú najlepšiu a najplnšiu chuť pri pomalom varení dosiahnete použitím celých lístkov bylín a korení.
- Keďže dno kameninovej misky nie je priamo vyhrievané, vždy ju naplňte najmenej do polovice, aby sa jedlo pripravilo za odporúčaný čas. Možno pripraviť aj menšie množstvá, no môže to mať vplyv na dobu prípravy.
- Tekutiny požadované receptom možno nahradiť inými tekutinami rovnakého objemu. Napríklad plechovku polievky môžete nahradiť plechovkou paradajok alebo 1 šálku hovädzieho alebo kuracieho vývaru 1 šálkou vína.
- Fazuľa musí byť pred pridaním cukru a/alebo kyslých potravín úplne mäkká. (POZNÁMKA: Cukor a kyseliny spôsobujú, že fazuľa stvrdne a bráni jej zmäknutiu.)

RADY NA PRÍSPÔBOVANIE RECEPTOV

Tieto rady vám pomôžu prispôsobiť vlastné a iné recepty prípravy v pomalovarnom hrnci. Pri používaní pomalovarného hrnca je mnoho bežných prípravnych krokov zbytočných. Vo väčšine prípadov môžu ísť všetky prísady do pomalovarného hrnca naraz a variť sa celý deň. Všeobecné:

- Dodržiavajte dostatočnú dobu prípravy.
- Jedlo pripravujte s pokrievkou.
- Vždy sa presvedčte, že na varenie používate dostatočné množstvo tekutiny, aby ste dosiahli čo najlepšie výsledky a zabránili vysušeniu alebo spáleniu jedla.

- Môže sa vám zdať, že v našich receptoch sa používa malé množstvo tekutín, ale pomalé varenie sa líši od iných spôsobov prípravy jedla v tom, že množstvo tekutín použitých v receptoch sa počas varenia takmer zdvojnásobí. Preto ak upravujete svoj recept pre varenie v pomalovarnom hrnci, pred varením znížte množstvo tekutiny.

DOBA PRÍPRAVY RECEPTU	VARENIE PRI NÍZKEJ TEPLOTE	VARENIE PRI VYSOKEJ TEPLOTE
15 až 30 minút	4 až 6 hodín	1½ až 2 hodín
30 až 45 minút	6 až 10 hodín	3 až 4 hodín
50 minút až 3 hodiny	8 až 10 hodín	4 až 6 hodín

CESTOVINY A RÝŽA:

- Ak v recepte nie je uvedené inak, pre čo najlepší výsledok použite dlhozrnú ryžu. Pokiaľ sa ryža počas stanoveného času úplne neuvarí, pridajte 1 až 1 a ½ hrnčeka vody na každý hrnček varenej ryže a varte ďalších 20 až 30 minút.
- Pre čo najlepší výsledok cestoviny najskôr čiastočne uvarte vo vriacej vode, až kým nezmäknú. Cestoviny pridajte do jedla na posledných 30 minút varenia.

FAZUĽA:

- Fazuľa musí byť pred pridaním cukru a/alebo kyslých potravín úplne mäkká. Cukor a kyseliny spôsobujú, že fazuľa stvrdne, a bráni jej zmäknutiu.
- Sušená fazuľa, predovšetkým červená fazuľa, by sa pred pridaním do jedla mala predvariť.
- Uvarená fazuľa z konzervy sa môže použiť ako náhrada za sušenú fazuľu.

ZELENINA:

- Pre mnoho druhov zeleniny je pomalé varenie prospešné a vďaka nemu sa plne rozvinie ich chuť. Zelenina sa v pomalovarnom hrnci nezvykne rozvariť, ako sa to stáva pri varení v rúre alebo na sporáku.
- Pri receptoch, v ktorých sa používa mäso a zelenina, vložte do hrnca najskôr zeleninu. Zelenina sa v pomalovarnom hrnci zvyčajne uvarí pomalšie ako mäso a vďaka tomu, že je ponorená v tekutine, bude lepšia.
- Pre lepšie varenie položte zeleninu blízko dna misky na varenie

BYLINKY A KORENIE:

- Čerstvé bylinky dodávajú chuť a vôňu, ale mali by sa pridávať až na konci varenia, pretože ich chuť sa pri dlhom varení stráti.
- Mleté a/alebo sušené bylinky a korenie sú ideálne na pomalé varenie a môžu sa pridať už na začiatku varenia.
- Sila chuti všetkých bylínok a korení sa môže meniť v závislosti od ich konkrétnej sily a od dĺžky ich skladovania. Bylinky používajte striedmo, jedlo po dovarení ochutnajte a tesne pred podávaním ho okoreňte.

MLIEKO:

- Mlieko, smotana a kyslá smotana sa počas dlhého varenia zrazia. Ak je to možné, pridajte ich až na posledných 15 až 30 minút varenia.
- Náhradou za mlieko môžu byť kondenzované polievky, ktoré sa môžu variť dlhšie ako mlieko.

MÄSO:

- Orežte masné kusy mäsa, dôkladne ho umyte a osušte papierovými kuchynskými utierkami.
- Opečenie mäsa vopred umožní, aby tuk z mäsa pred varením v pomalovarnom hrnci odtiekol, jedlu to pridá aj výraznejšiu chuť.
- Mäso musí byť v miske umiestnené tak, aby sa nedotýkalo pokrievky.
- Pre menšie alebo väčšie kusy mäsa prispôbte množstvo zeleniny alebo zemiakov tak, aby miska bola stále plná do ½ až ¾ objemu.
- Veľkosť mäsa a odporúčaný čas varenia sú iba informačné a môžu sa meniť v závislosti od narezania, typu a štruktúry kostí. Chudé mäso, ako hydina alebo bravčová sviečkovica, sa uvaria rýchlejšie ako mäso s väčším podielom spojivového tkaniva a tuku, ako je hovädzí krk alebo bravčové plecko. Mäso s kosťou sa varí dlhšie ako mäso bez kostí.
- Mäso pri varení s predvarenými potravinami, ako je fazuľa, ovocie alebo ľahká zelenina, napr. šampiňóny, krájaná cibuľa, baklažán alebo najemno nakrájaná zelenina, nakrájajte na menšie kúsky. To umožní, aby sa všetky ingrediencie uvarili rovnakým tempom.

RYBA:

- Ryba sa uvarí rýchlo a mala by sa pridať na konci varenia počas posledných pätnástich minút až hodiny varenia.

ČISTENIE

Pomalovný hrniec pred čistením VŽDY odpojte od zdroja elektrického napájania a nechajte ho vychladnúť.

POZOR: Ohrevný podstavec, prívodný kábel ani zástrčku neponárajte do vody ani inej kvapaliny.

Pokrievka a kameninová miska sa môžu umývať v umývačke riadu alebo pomocou teplej mydlovej vody. Nepoužívajte abrazívne čistiace prostriedky ani drsné hubky na umývanie. Zvyšky jedla je zväčša možné odstrániť utierkou, špongiou alebo gumovou stierkou. Vodný kameň a iné flaky odstráňte pomocou neabrazívnych čistiacich prostriedkov alebo octu.

Kameninová miska a pokrievka, ako všetky keramické materiály, nedokážu odolávať prudkým zmenám teploty. Keď sú kameninová miska alebo pokrievka horúce, neumývajte ich studenou vodou.

Vonkajšia strana ohrevného podstavca sa môže čistiť jemnou handričkou a teplou mydlovou vodou. Utrite do sucha. Nepoužívajte abrazívne čistiace prostriedky.

Nevykonávajte žiadne iné servisné zásahy.

POZNÁMKA: Kameninovú misku nechajte pred uložením po ručnom čistení vysušiť na vzduchu.

ZÁRUKA

Doklad o nákupe si uschovajte, bude ho potrebné predložiť v prípade reklamácie podľa tejto záruky.

Na tento spotrebič sa vzťahuje záruka 2 roky od zakúpenia podľa popisu v tomto dokumente.

Ak počas tejto záručnej lehoty spotrebič prestane fungovať kvôli chybe v konštrukcii alebo výrobe, zaneste ho do predajne, kde ste ho zakúpili, spolu s dokladom o nákupe a kópiou tejto záruky.

Práva a výhody vyplývajúce z tejto záruky sú rozšírením vašich zákonných práv, ktoré touto zárukou nie sú dotknuté. Iba spoločnosť Jarden Consumer Solutions (Europe) Limited („JCS (Europe)“) má právo tieto podmienky meniť.

Spoločnosť JCS (Europe) sa zaväzuje v rámci záručnej lehoty bezplatne opraviť alebo vymeniť spotrebič alebo ktorúkoľvek jeho časť, ktorá nefunguje správne, pod podmienkou, že:

- o probléme promptne upovedomíte predajňu, kde ste výrobok zakúpili, alebo spoločnosť JCS (Europe) a
- spotrebič nebol nijako pozmenený ani vystavený poškodeniu, nesprávnemu používaniu, zlému zaobchádzaniu, opravám ani zmenám vykonaným osobou, ktorá na to nebola oprávnená spoločnosťou JCS (Europe).

Táto záruka nepokrýva chyby v dôsledku nesprávneho používania, poškodenia, zlého zaobchádzania, používania s nesprávnym napätím, prírodných živlov, udalostí mimo kontroly spoločnosti JCS (Europe), opráv ani zmien vykonaných osobou, ktorá na to nebola oprávnená spoločnosťou JCS (Europe), ani nedodržania pokynov na používanie. Okrem toho táto záruka nepokrýva ani bežné opotrebovanie vrátane (okrem iného) drobnej zmeny farby a škrabancov.

Práva vyplývajúce z tejto záruky platia iba pre pôvodného kupujúceho a nevzťahujú sa na komerčné ani komunálne používanie.

Ak spotrebič obsahuje záruku špecifickú pre danú krajinu alebo vložený záručný list, smerodajné sú podmienky takejto záruky. Viac informácií získate od svojho miestneho autorizovaného predajcu.

Elektrické spotrebiče by sa nemali likvidovať spolu s bežným domácim odpadom. Ak na to existujú príslušné zariadenia, prístroj recyklujte. Ďalšie informácie o recyklovaní a smernici o odpade z elektrických a elektronických zariadení (OEEZ) získate na e-mailovej adrese enquiriesEurope@jardencs.com.

Jarden Consumer Solutions (Europe) Limited
5400 Lakeside
Cheadle Royal Business Park
Cheadle
SK8 3GQ
United Kingdom



MAGYAR FONTOS BIZTONSÁGI UTASÍTÁSOK

FIGYELMESEN OLVASSA EL ÉS ŐRIZZE MEG KÉSŐBBI FELHASZNÁLÁS CÉLJÁBÓL

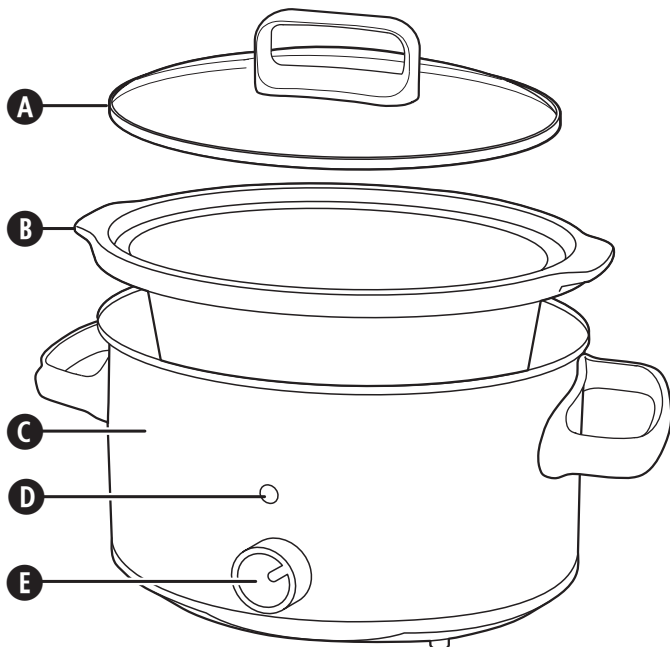
A készüléket 8 évesnél idősebb gyerekek, korlátozott fizikai, érzékszervi és mentális képességekkel rendelkező személyek, valamint a készülék használatában gyakorlattal és ismeretekkel nem rendelkező személyek is használhatják felügyelet mellett, vagy abban az esetben, ha tájékoztatást kaptak a készülék biztonságos használatáról, és megértették a használattal járó veszélyeket. Gyermek a készülékkel nem játszhatnak. A készülék tisztítását és felhasználói karbantartását nem végezheti gyermek, kivéve, ha legalább 8 éves és a tevékenységet felügyelet mellett végzi. Tartsa a készüléket és annak tápvezetékét 8 évnél fiatalabb gyermekek által el nem érhető helyen.

⚠ A készülék részei használat közben hajlamosak felforrósodni.

Ha a vezeték sérült, annak cseréjét a veszély elkerülése érdekében a gyártó, szakszerviz vagy képezett szakember végezze el.

A készüléket soha ne használja a rendeltetésétől eltérő célra. A készülék kizárólag háztartási célra használható. A szabadban ne használja a készüléket.

- A készülék használata során hő keletkezik. Használat vagy hűlés közben ne érintse meg a készülék külsejét, mert annak égési sérülés, forrázás, tüzeset vagy más jellegű személyi vagy vagyoni károsodás lehet a következménye. Az ilyen jellegű balesetek kockázatának elkerülése érdekében megfelelő óvintézkedéseket kell tenni.
- A konnektorral való érintkezés, illetve a készülék bekapcsolása során a keze mindig legyen száraz.
- A készüléket mindig stabil, biztonságos, száraz és egyenes felületen használja.
- A készüléket ne helyezze potenciálisan forró felületekre vagy azok közelébe (pl. gázzal vagy villannyal működő főzőlap).
- Ne használja a készüléket, ha azt leejtették, ha az láthatóan megsérült, vagy ha szivárog.
- Győződjön meg arról, hogy használat után és tisztítás előtt a berendezés ki van kapcsolva és ki van húzva a konnektorból.
- Tisztítás vagy tárolás előtt mindig hagyja kihűlni a készüléket.
- A készüléket, annak alkatrészeit vagy vezetékeit soha ne merítse vízbe vagy bármilyen más folyadékba.
- A vezeték soha ne lógjon munkafelület széle fölé, ne érintkezzen forró felületekkel, illetve ne hagyja azt összebogozódni, beakadni vagy beszorulni.
- Használat közben ne érintse meg a készülék külső felületeit, mivel azok rendkívül felforrósodhatnak. A fedő levételekor használjon edényfogó kesztyűt vagy konyharuhát. Vigyázat! A fedő levételekor a készülékből gőz szabadulhat ki.
- SOHA ne melegítsen ételféleséget közvetlenül az alapegységben. Mindig használja a kivehető főzőedényt.
- Egyes felületek nem alkalmasak arra, hogy kibírják az egyes berendezések által tartósan generált hőt. Ne tegye a készüléket olyan felületre, amelyet a hő károsíthat. Javasoljuk, hogy tegyen a készülék alá hőszigetelő lapot vagy edényalátétet, hogy elkerülje a felület esetleges károsodását.
- A lassúfűző fedele edzett üvegből készült. Mindig ellenőrizze, hogy a fedőn nincs-e törés, repedés vagy bármilyen más sérülés. Ne használja az üvegfedőt, ha az sérült, ugyanis használat közben darabokra törhet.



ALKATRÉSZEK

- A** Fedél
- B** Kő főzőedény
- C** Melegítő alapegység
- D** Bekapcsolást jelző lámpa
- E** Beállítás-választó

ELŐKÉSZÜLET A HASZNÁLATRA

A Crock-Pot® lassúfőző használata előtt távolítsa el az összes csomagolóanyagot, mossa el a fedőt és a kőedényt meleg, mosószeres vízben, majd szárítsa meg őket alaposan. **VIGYÁZAT!** Se a melegítő alapegységet, se a kábelt vagy a csatlakozódugót ne merítse vízbe vagy más folyadékba.

FONTOS FIGYELMEZTETÉSEK: Egyes konyhapultok és asztallapok nem alkalmasak arra, hogy kibírják az egyes berendezések által tartósan generált hőt. A felmelegedett készüléket ne tegye hőérzékeny felületre. Javasoljuk, hogy tegyen a lassúfőző alá hőszigetelő lapot vagy edényalátétet, hogy elkerülje a felület esetleges károsodását.

Óvatosan járjon el, amikor a kőedényt kerámia vagy üveg főzőlapra, konyhapultra, asztalra vagy más felületre helyezi. A kőedény jellegéből kifolyólag az edény aljának durva felülete megkarcolhat egyes felületeket, ha nem kellő óvatossággal jár el. Mindig tegyen védőalátétet a kőedény alá, mielőtt az asztalra vagy a konyhapultra helyezi.

A készülék használata során kezdetben egy kis füst vagy kellemetlen szag jelentkezhet. Ez sok fűtőberendezésnél teljesen normális jelenség, mely néhány használat után megszűnik.

A LASSÚFŐZŐ HASZNÁLATA

1. Helyezze bele a melegítő alapegységbe a köedényt, tegye bele a hozzávalókat, majd fedje le a fedővel.
2. Dugja be a lassúfőzőt a konnektorba, majd tekerje a beállítás-választót a magas (III) vagy az alacsony (II) főzési hőfokra.

FIGYELEM: A MELEGEN TART beállítás KIZÁRÓLAG a már megfőzött étel melegen tartására szolgál. NE főzzön a MELEGEN TART beállításon. A MELEGEN TART beállítás használata 4 óránál hosszabb ideig nem javasolt.

3. Amikor befejezte a főzést, húzza ki a lassúfőzőt a konnektorból és hagyja lehűlni tisztítás előtt.

HASZNÁLATI TANÁCSOK

- A főzés befejeztével manuálisan is átállíthatja a készüléket a MELEGEN TART beállításra.
- Hogy elkerülje az étel túl- vagy alulfőzését, mindig legalább a feléig, de maximum a háromnegyedéig töltsen meg a köedényt, és tartsa be a javasolt főzési időket.
- Ne töltsen túl a köedényt. Az étel kifolyásának elkerülésére maximum a háromnegyedéig töltsen meg a köedényt.
- Főzés közben mindig hagyja rajta az edényen a fedőt a javasolt ideig. A főzés első két órájában ne vegye le a fedőt, hogy az edény belseje kellően felmelegedjen.
- Mindig viseljen edényfogó kesztyűt, amikor hozzáér a fedőhöz vagy a köedényhez.
- A főzés végén és tisztítás előtt húzza ki a készüléket a konnektorból.
- A kivehető köedény és a fedő sütőben biztonsággal használható. Ne használja a kivehető köedényt gáztűzhelyen, elektromos tűzhelyen vagy grillégő alatt.

FŐZÉSI TANÁCSOK ÉS TIPPEK

- Távolítsa el a zsíros részeket és alaposan törölje át a húsokat, hogy eltávolítsa a maradványokat. (Ha a hús zsíros részeket tartalmaz, pirítsa meg a főzőedényben, hogy jól kiszűjön a zsír). Ízesítse sóval és borssal. A húst a zöldségek tetejére tegye a főzőedényben.
- Ha párolt húst vagy ragut készít, öntsön folyadékot a húsrá. Ne használjon több folyadékot, mint amennyit a recept előír. A lassú főzésnél több nedvesség marad a húsookban és a zöldségekben, mint a hagyományos főzésnél.
- A legtöbb zöldséget tanácsos vékonyra szeletelni, illetve a kő főzőedény oldalsó falához vagy az aljába helyezni. A lassúfőzőben a húsok általában gyorsabban főnek meg, mint a zöldségek zöme.
- A lassú főzési módszerrel elérhető legjobb és legteljesebb ízélmény érdekében egész (nem őrölt) fűszereket használjon. Ha őrölt fűszereket használ, azokat a főzés utolsó órájában keverje bele az ételbe.
- Mivel az edény alját nem éri közvetlenül hő, a javasolt főzési idő betartásához mindig legalább a feléig töltsen meg a köedényt. Kisebb adagokat is készíthet, ám ez befolyással lehet a főzési időre.
- A receptben megadott folyadék ugyanolyan mennyiségű más hozzávalóval is helyettesíthető. Például egy doboz leveskonzerv helyett használhat egy doboz paradicsomkonzervet, vagy egy csésze marha- vagy csirkehúsleves helyett egy csésze bort.
- A babot teljesen meg kell puhítani, mielőtt cukorral és/vagy savtartalmú ételekkel vegyíti. (FIGYELEM: A cukor és a sav megkeményíti a babot, így az nem puhul meg.)

ÚTMUTATÓ A RECEPTEK ÁTDOLGOZÁSÁHOZ

Ez az útmutató azzal a céllal készült, hogy segítséget nyújtson Önnek saját receptjei és más receptek átdolgozásához a lassúfőzőben való elkészítéshez. A lassúfőző használatakor nincs szükség a szokásos előkészítő lépések nagy részére. A legtöbb esetben az összes hozzávaló egyszerre beletehető és egész nap főzhető a lassúfőzőben. Általános tanácsok:

- Mindig hagyjon elegendő időt arra, hogy az étel megfőjön.
- Az ételt fedő alatt főzze.
- A legjobb eredmény érdekében, és azért, hogy az étel ne száradjon ki, illetve ne égjen oda, mindig ügyeljen arra, hogy megfelelő mennyiségű folyadékot használjon a recepthez.

- Bár úgy tűnhet, hogy receptjeink csak kis mennyiségű vizet tartalmaznak, a lassú főzési eljárás eltér más főzési eljárásoktól abban, hogy a receptben szereplő vízmennyiség a főzési idő során majdnem megduplázódik. Ezért, amikor átdolgoz egy receptet a lassúfőzőben való elkészítéshez, főzés előtt csökkentse a folyadékmennyiséget.

A RECEPTBEN MEGADOTT ELKÉSZÍTÉSI IDŐ	FŐZÉS ALACSONY HŐMÉRSÉKLETEN	FŐZÉS MAGAS HŐMÉRSÉKLETEN
15–30 perc	4 - 6 óra	1½ - 2 óra
30 - 45 perc	6 - 10 óra	3 - 4 óra
50 perc – 3 óra	8 - 10 óra	4 - 6 óra

TÉSZTA ÉS RIZS:

- A legjobb eredmény eléréséhez hosszú szemű rizst használjon, kivéve, ha a recept másként írja elő. Amennyiben a rizs a javasolt idő alatt nem fő meg teljesen, adjon hozzá újabb 1–1½ csésze folyadékot minden egyes csészényi főzött rizsre számítva, és folytassa a főzést további 20–30 percig.
- Tésztafőzés esetén a legjobb eredmény érdekében a főzési idő utolsó 30–60 percében tegye bele a tésztát a lassúfőzőbe.

BAB:

- A babot teljesen meg kell puhítani, mielőtt cukorral és/vagy savtartalmú ételekkel vegyíti. A cukor és a sav megkeményíti a babot, így az nem puhul meg.
- A szárazbabot – különösen a vörös vesebabot – a recepthez való hozzáadás előtt meg kell főzni.
- Száraz bab helyett teljesen megfőzött konzervbabot is használhat.

ZÖLDSÉGEK:

- Sok zöldségfélének kifejezetten jót tesz a lassú főzés, mert így ki tudják adni igazi ízüket. A lassúfőzőben rendszerint nem főnek úgy túl, mint esetleg a sütőben vagy a főzőlapon.
- Amikor zöldséget és húst is tartalmazó recepteket készít, a zöldségeket a hús előtt tegye a lassúfőzőbe. A zöldségek általában lassabban főnek meg a lassúfőzőben a húsnál, és jót tesz nekik, ha félig elfedi őket a főzőfolyadék.
- A zöldségeket a főzőedény aljába tegye, hogy ezzel is elősegítse a főzési folyamatot.

FÚSZERNÖVÉNYEK ÉS FÚSZEREK:

- A friss fűszernövények aromával és színnel gazdagítják az ételt, de csak a főzési ciklus végén adjuk hozzá főztűnköz, mivel aromájuk a hosszú főzési idő során elillan.
- Az örölt és/vagy szárított fűszerek is jól használhatók lassú főzésnél; ezeket már a főzés elején beletehetjük az ételbe.
- A fűszerek aromájának erőssége a fűszernövény saját erősségétől és tárolási idejétől függően erősen eltérő. Óvatosan bánjon a fűszerekkel, kóstolja meg az ételt a főzési ciklus végén, majd találás előtt fűszerezze tovább, ha szükséges.

TEJ:

- Hosszú ideig tartó főzés során a tej, a tejszín és a tejföl szétesik. Ha lehetséges, ezeket csak a főzés utolsó 15–30 percében tegye bele az ételbe.
- Tej helyett sűrített leveles is használhatók, és ezek hosszú időn át is főzhetők.

HÚSOK:

- Távolítsa el a zsíros részeket, jól öblítse le a húst, majd itassa fel róla a nedvességet egy papírtörölközővel.
- A hús előzetes piritása lehetővé teszi, hogy a zsír már a lassú főzés előtt kisüljön a húsból, emellett az ízeket is elmélyíti.
- A húst úgy kell elhelyezni a főzőedényben, hogy ne érjen hozzá a fedőhöz.
- Kisebb vagy nagyobb hússzeletek esetén úgy változtassa a zöldségek vagy a burgonya mennyiségét, hogy a főzőedény mindig legalább félig, de maximum a háromnegyed részéig legyen tele.
- A hús súlya és a javasolt főzési idők csak becslések; a főzési idő az adott szelet nagyság, húsfajta és csontszerkezet függvényében változhat. A sovány húsok, mint például a csirkehús vagy a sertés vesepecsenye általában gyorsabban megfőnek, mint a kötöttebb szövetű és zsírosabb húsok, például a marha- vagy sertéslapocka. A kicsontozott húsokkal szemben a csontos húsok hosszabb főzési időt igényelnek.
- Vágja a húst kisebb darabokra, ha előfőzött ételekkel, például babbal vagy gyümölcscsel, vagy könnyű zöldségekkel, például gombával, felkockázott hagymával, padlizsánnal vagy finomra vágott zöldségekkel együtt főzi. Így minden hozzávaló egyszerre fő meg.

HAL:

- A hal gyorsan megfő, ezért csak a főzési ciklus végén, a főzés utolsó 15–60 percében kell hozzáadni az ételhez.

RECEPTEK

Crock Pot receptekért és további ötletekért látogasson el a www.foodies.hu weboldalra

Zöldségleves 4 személyre

150 g hámozott, nagyjából 5 cm-es darabokra vágott sárgarépa
150 g hámozott, nagyjából 5 cm-es darabokra vágott zeller
150 g megtisztított, megmosott, nagyjából 5 cm hosszú csíkokra vágott póréhagyma
300 g hámozott, nagyjából 5 cm-es darabokra vágott karórépa
1 kis fej kockákra aprított vörshagyma
800 ml jó minőségű zöldségleves alaplé
1 babérlevél
Fűszerek

1. Tegye bele az összes hozzávalót a köedénybe, majd helyezze rá a fedőt.
2. Főzze az ételt alacsony hőfokon 6–7 órán át, vagy magas hőfokon 4–5 órán át.
3. Hagyja egy kicsit hűlni, majd vegye ki belőle a babérlevelet, és úgy töltsé át a levest egy turmixedénybe. Turmixolja a levest a kívánt állagúra. A levest kézi keverésre alkalmas edénybe is áttöltheti.
4. Tálalja egy kevés crème fraiche-sel (vagy tejföllel/tejszínnel), apróra vágott metélőhagymával megszórva.

Egyszerű párolt marhasült 4–5 személyre

750 g sovány marhaszegy
15 ml növényi olaj
1 meghámozott és feldarabolt vörshagyma
1 meghámozott és feldarabolt sárgarépa
1 megmosott és feldarabolt zellerszár
Egy fél kisméretű sonkatök meghámozva, kimagozva és nagyobb darabokra vágva
200 ml jó minőségű, forró marhahúsleves alaplé
2 babérlevél

- 5 g frissen aprított kakukkfűlevél
1. Forrósítson fel egy megfelelő méretű serpenyőt. Öntse bele az olajat, és pirítsa rajta a szegyet barnulásig.
2. Tegye bele az előkészített zöldségeket a köedénybe. Ügyeljen arra, hogy a zöldségek nagyjából azonos méretűre legyenek felvágva (így biztosítható az egyenletes főzés).
3. Tegye a megpirított szegyet a zöldségek tetejére.
4. Öntse fel a marhahúsleves alaplével, majd tegye bele a babérleveleket és a kakukkfűvet. Tegye rá az edényre a fedelet.
5. Főzze az ételt alacsony hőfokon 7–8 órán át, vagy magas hőfokon 5–6 órán át.
6. Vegye ki a sültet a főzőből, és vastag szeletekre vágva, krémes tört burgonyával és a lassúfőzőben párolt zöldségekkel tálalja.

Dinsztelt mediterrán báránylábszár 4 személyre

15 ml növényi olaj
4 kis báránylábszár
1 nagy vöröshagyma, durvára vágva
1 közepes méretű, meghámozott és feldarabolt sárgarépa
2 gerezd aprított fokhagyma
400 g darabolt konzervparadicsom
15 g durvára vágott friss oregánó, vagy 10 g szárított oregánó
250 ml vörösbor
30 g burgonyapüré

1. Forrósítson fel egy megfelelő méretű serpenyőt, tegye bele az olajat, majd pirítsa a báránylábszárakat addig, amíg minden oldaluk meg nem barnul.
2. Tegye a húsokat és a maradék hozzávalókat a köedénybe, majd keverje jól össze őket.
3. Fedje le az edényt és főzze az ételt alacsony hőfokon 8–9 órán át, vagy magas hőfokon 6–7 órán át.
4. Ha szükséges, sűrítse be a szószt egy kevés vízzel elkevert kukoricaliszttel. Tálalja grillezett zöldségekkel és kuszkuossal.

Diós-almás morzsa 4 személyre

150 g finomliszt
50 g lapított zabpehely
100 g világosbarna cukor
3 g őrölt fahéj
2 g őrölt szerecsendió
150 g felkockázott vaj
125 g aprított dió
50 g finomszemcsés kristálycukor (vagy ízlés szerint)
20 g kukoricaliszt
2,5 g őrölt gyömbér
2,5 g őrölt fahéj
800 g hámozott, kimagozott és felszelelt főzőalma
30 ml citromlé

1. Tegye a lisztet, a barnacukrot, a zabpehelyet és a fűszereket egy nagy keverőtálba. Adja hozzá a felkockázott vaját, és az ujjával addig morzsolgassa a keveréket, amíg az morzsiakká áll össze. Keverje bele a felaprított diót, és tegye félre a keveréket.
2. Tegyen félre egy kanálnyi kristálycukrot, majd keverje össze a maradék cukrot, a fahéjat és a gyömbért egy kis tálban.
3. Rétegezze bele az előkészített almaszeleteket a köedénybe úgy, hogy minden réteget megszór a cukros-fűszeres keverékkel.
4. Keverje össze a félretett kristálycukrot a kukoricaliszttel és a citromlével, majd öntse rá a keveréket a legfelső réteg almára.
5. Az egészet fedje be a morzsás keverékkel, tegye rá az edényre a fedőt, majd főzze az ételt alacsony hőfokon 4–5 órán át, vagy magas hőfokon 2–3 órán át (amíg az alma megpuhul).
6. A főzési idő végén húzza egy kicsit félre a fedőt mintegy 30 percre, és hagyja a morzsás fedőréteget megszilárdulni. Tálalja vaníliafagylalttal vagy forró tejsodóval.

TISZTÍTÁS

Tisztítás előtt MINDIG húzza ki a lassúfűzőt a konnektorból és hagyja lehűlni.

VIGYÁZAT! Se a melegítő alapegységet, se a kábelt vagy a csatlakozódugót ne merítse vízbe vagy más folyadékba.

A fedő és a köedény mosogatógépben, vagy meleg, mosószeres vízben tisztítható. Ne használjon dörzsölő hatású tisztítószereket vagy durva felületű szivacsot. Az ételmaradványok általában ruhával, szivaccsal vagy gumi spatulával is eltávolíthatóak. Vízfolt és egyéb foltok eltávolításához használjon nem dörzsölő hatású tisztítóeszközt vagy ecetet.

Mint a finomkerámiák általában, a köedény és a fedő nem bírja a hirtelen hőmérsékletváltozásokat. A még forró köedényt vagy fedőt ne mossa hideg vízzel.

A melegítő alapegység külső felülete puha ruhával és meleg, mosószeres vízzel tisztítható. Törölje szárazra. Ne használjon dörzsölő hatású tisztítóeszközöket.

Másfajta szervizt ne végezzen a készüléken.

FIGYELEM: A kézi tisztítást követően tárolás előtt hagyja a köedényt a levegőn megszáradni.

GARANCIA

Kérjük, őrizze meg nyugtáját, mivel a jelen jótállás érvényesítéséhez szüksége lesz rá.

A termékre a jelen dokumentumban leírtak szerint a vásárlás dátumától számított 2 évre jótállást nyújtunk.

Amennyiben a jótállási időszak alatt készüléke esetleg konstrukciós vagy gyártási hiba miatt meghibásodna, kérjük, hogy a pénztári nyugtával és a jelen jótállással együtt vigye vissza az üzletbe, ahol vásárolta.

A jelen jótállás szerinti jogok és előnyök kiegészítik az Ön törvény szerinti jogait, és azokat a jelen jótállás nem befolyásolja.

A jelen feltételek változtatására kizárólag a Jarden Consumer Solutions (Europe) Limited („JCS (Europe)”) jogosult.

A JCS (Europe) vállalja, hogy a jótállási időszak alatt a készüléket vagy annak bármely helytelen működésű részét megjavítja vagy kicseréli, feltéve, hogy:

- Ön azonnal értesíti a problémáról a vásárlás helyét vagy a JCS (Europe)-t, és
- a készüléket a JCS (Europe) által meghatalmazott személyen kívül senki semmilyen módon nem változtatta meg, nem használta rendellenes vagy nem üzemszerű módon, nem javította és nem módosította.

A jelen jótállás nem vonatkozik olyan hibákra, amelyek oka helytelen vagy nem üzemszerű használat, sérülés, helytelen tápfeszültség, természeti ok, a JCS (Europe) hatókörén kívüli esemény, nem a JCS (Europe) meghatalmazottja általi javítás vagy módosítás, vagy a használati utasítások be nem tartása. Ezenfelül a jelen jótállás nem vonatkozik a szokásos elhasználódásra, többek között a kismértékű elszineződésre és karcolásokra sem.

A jelen jótállás szerinti jogok kizárólag az eredeti vásárlót illetik meg, és nem terjednek ki a kereskedelmi célú vagy közösségi használatra.

Ha készülékéhez országspecifikus garancia- vagy szavatossági dokumentum van mellékelve, akkor annak feltételeit tekintse érvényesnek a jelen garancia feltételei helyett, vagy kérjen további tájékoztatást a meghatalmazott helyi kereskedőtől.

A kiselejtezett elektromos termékeket nem szabad a háztartási hulladékkal együtt kidobni. Ezeket újra kell hasznosítani, ha van rá lehetőség. Ha bővebb információt szeretne az újrahasznosítással és a WEEE direktívával kapcsolatban, írjon nekünk az enquiriesEurope@jardencs.com címre.

Jarden Consumer Solutions (Europe) Limited
5400 Lakeside
Cheadle Royal Business Park
Cheadle
SK8 3GQ
United Kingdom



ROMÂNĂ

INSTRUCȚIUNI IMPORTANTE PRIVIND SIGURANȚA

CITIȚI-LE CU ATENȚIE ȘI PĂSTRAȚI-LE PENTRU A LE PUTEA CONSULTA ULTERIOR

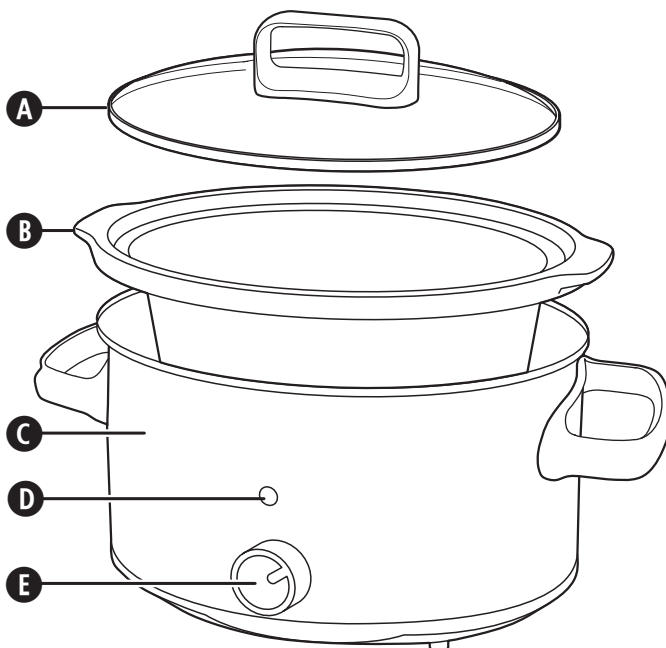
Acest aparat poate fi utilizat de copii cu vârsta de peste 8 ani și de persoane cu capacități fizice, senzoriale sau mentale reduse sau lipsă de experiență și cunoștințe, cu condiția ca aceștia să fie supravegheați sau instruiți în privința utilizării în siguranță a aparatului și să fi înțeles pericolele implicate. Copiii nu trebuie să se joace cu acest produs. Curățarea și întreținerea de către utilizator nu vor fi efectuate de copii, cu excepția cazului în care au peste 8 ani și sunt supravegheați. Nu lăsați aparatul și cablul la îndemâna copiilor cu vârsta mai mică de 8 ani.

⚠ Componentele aparatului se pot înfierbânta în timpul utilizării.

Pentru evitarea pericolelor, în cazul deteriorării cablului de alimentare, acesta trebuie înlocuit de producător, de personalul autorizat de service sau de alte persoane calificate.

Nu utilizați niciodată aparatul în scopuri diferite de destinația de utilizare prevăzută a acestuia. Acest aparat este destinat exclusiv uzului casnic. Nu utilizați acest aparat în exterior.

- Pentru evitarea pericolelor, în cazul deteriorării cablului de alimentare, acesta trebuie înlocuit de producător, de personalul autorizat de service sau de alte persoane calificate.
- Asigurați-vă întotdeauna că aveți mâinile uscate înainte de a manevra fișa sau de a porni aparatul.
- Utilizați întotdeauna aparatul pe o suprafață stabilă, sigură, uscată și plană.
- Acest aparat nu trebuie plasat pe sau lângă suprafețe care pot atinge temperaturi înalte (cum ar fi plitele cu gaz sau electrice).
- Nu utilizați aparatul dacă a fost scăpat pe jos, dacă prezintă semne vizibile de deteriorare sau dacă prezintă scurgeri.
- Asigurați-vă că aparatul este oprit și deconectat de la priza electrică după utilizare și înainte de curățare.
- Lăsați întotdeauna aparatul să se răcească înainte de curățarea sau depozitarea acestuia.
- Nu introduceți niciodată o parte a aparatului sau cablul și fișa de alimentare în apă sau în alte lichide.
- Nu lăsați niciodată cablul de alimentare să atârne peste marginea unui blat de lucru, să atingă suprafețe fierbinți sau să fie înnodat, prins sau strivit.
- Nu atingeți suprafețele exterioare ale aparatului în timpul utilizării, deoarece acestea se pot înfierbânta foarte tare. Folosiți mănuși pentru cuptor sau un șervet la îndepărtarea capacului. Aveți grijă la aburul care iese când îndepărtați capacul.
- Nu încercați NICIODATĂ să încălziți niciun aliment direct în interiorul unității de bază. Folosiți întotdeauna bolul de gătit detașabil.
- Unele suprafețe nu sunt proiectate pentru a rezista la căldura prelungită generată de anumite aparate electrocasnice. Nu așezați aparatul pe o suprafață care poate fi deteriorată de căldură. Recomandăm amplasarea unei plăci izolatoare sau a unui suport sub aparat pentru a împiedica eventuala deteriorare a suprafeței.
- Capacul oalei de gătit este realizat din sticlă călită. Verificați întotdeauna capacul, pentru a vedea dacă acesta este ciobit, fisurat sau deteriorat în orice alt fel. Nu folosiți capacul din sticlă dacă este deteriorat, pentru că s-ar putea sparge în timpul utilizării.



COMPONENTE

- A** Capac
- B** Vas de gătit din ceramică
- C** Unitate de bază de încălzire
- D** Lumină de alimentare
- E** Selector de setare

PREGĂTIREA PENTRU UTILIZARE

Înainte de a utiliza oala de gătit Crock-Pot®, îndepărtați toate componentele ambalajului și spălați capacul și vasul din ceramică cu apă caldă cu săpun și uscați-le riguros. **ATENȚIE:** Nu scufundați niciodată baza de încălzire, cablul de alimentare sau ștecherul în apă sau în orice alt lichid.

NOTE IMPORTANTE: Unele suprafețe ale blaturilor și meselor nu sunt proiectate pentru a rezista la căldura prelungită generată de anumite aparate electrocasnice. Nu așezați unitatea încălzită pe o masă cu finisaj sensibil la căldură. Vă recomandăm să amplasați un material sau un suport rezistent la căldură sub oala de gătit pentru a preveni deteriorarea suprafeței.

Aveți grijă când puneți vasul din ceramică pe o plită de gătit ceramică sau cu finisaj din sticlă, pe un blat de lucru, o masă sau altă suprafață. Din cauza structurii ceramicii, suprafața inferioară cu asperități poate zgâria unele suprafețe dacă nu aveți grijă. Puneți întotdeauna un material de protecție sub vasul din ceramică înainte de a-l pune pe o masă sau un blat de lucru.

În timpul primei utilizări a aparatului, este posibil să observați fum sau un miros neplăcut. Acest lucru este normal la numeroase aparate cu încălzire și nu va mai apărea după câteva utilizări.

MODUL DE UTILIZARE A OALEI DE GĂTIT

1. Așezați vasul din ceramică în baza de încălzire, adăugați ingredientele în vas și acoperiți cu capacul.
2. Conectați oala de gătit la priză și rotiți selectorul de setare la temperatura de gătire înaltă (III) sau joasă (II).
NOTĂ: Setarea CALD (III) este NUMAI pentru păstrarea la cald a alimentelor care au fost deja gătită. NU gătiți la setarea CALD. Nu recomandăm utilizarea setării CALD pentru mai mult de 4 ore.
3. Când s-a terminat gătit, deconectați oala de gătit de la priză și lăsați-o să se răcească înaintea curățării.

NOTE DESPRE UTILIZARE

- Dacă doriți, puteți comuta manual la setarea CALD (III) după ce rețeta dvs. s-a terminat de gătit.
- Pentru a evita gătitul excesiv sau insuficient, umpleți întotdeauna vasul din ceramică între ½ și ¾ și respectați duratele de gătit recomandate.
- Nu umpleți excesiv vasul din ceramică. Pentru a preveni revărsarea, nu umpleți vasul din ceramică mai mult de ¾.
- Gătiți întotdeauna cu capacul închis în intervalul de timp recomandat. Nu îndepărtați capacul în timpul primelor două ore de gătit, pentru a permite generarea eficientă de căldură.
- Purtați întotdeauna mănuși pentru cuptor la manevrarea capacului vasului din ceramică.
- Deconectați oala de la priză când s-a terminat gătitul și înaintea curățării.
- Vasul detașabil din ceramică și capacul pot fi folosite în cuptor. Nu utilizați vasul din ceramică detașabil pe un arzător cu gaz, o plită electrică sau sub grătar.

SFATURI ȘI RECOMANDĂRI PENTRU GĂTIT

- Tăiați porțiunile de grăsime și ștergeți carnea bine pentru a îndepărta reziduurile. (În cazul în care carnea conține grăsime. Rumeniți-o în vasul de gătit și scurgeți-o bine.) Asezonați cu sare și piper. Puneți carnea în vasul de gătit deasupra legumelor.
- Pentru fripturi înăbușite și tocănițe, turnați lichid peste carne. Nu folosiți mai mult lichid decât se specifică în rețetă. În timpul gătirii lente se reține mai mult suc în carne și legume decât la gătitul convențional.
- Majoritatea legumelor trebuie să fie feliate subțire sau puse în apropierea laturilor sau a bazei vasului de gătit din ceramică. Într-o oală de gătit, carnea se gătește în general mai rapid decât majoritatea legumelor.
- Folosiți verdețuri și mirodenii cu frunze întregi pentru a obține cea mai bună aromă prin metoda de gătit lentă.
- Deoarece nu există căldură directă la bază, umpleți întotdeauna vasul de gătit din ceramică cel puțin pe jumătate, pentru a respecta duratele recomandate. Se pot prepara și cantități mici, dar duratele de gătit pot fi afectate.
- Un anumit lichid menționat într-o rețetă poate fi înlocuit dacă se folosește o cantitate egală. De exemplu, se poate înlocui o cană de supă cu o cană de roșii sau o ceașcă de supă de vită ori de pui cu o ceașcă de vin.
- Fasolea trebuie să fie înmuiată complet înainte de a o combina cu alimente care conțin zaharuri și/sau acizi. (NOTĂ: Zaharurile și acizii au un efect de întărire asupra fasolei și vor împiedica înmuierea.)

GHID DE ADAPTARE A REȚETELOR

Acest ghid este conceput pentru a vă ajuta să adaptați rețetele proprii și alte rețete pentru oala de gătit. Mulți dintre pașii normali de pregătire nu sunt necesari la utilizarea oalei de gătit. În majoritatea cazurilor, toate ingredientele pot fi introduse odată în oala de gătit și pot fi gătite întreaga zi. Generalități:

- Permiteți o durată de gătit suficientă.
- Gătiți cu capacul pus.
- Pentru rezultate optime și pentru a împiedica uscarea sau arderea alimentelor, asigurați-vă întotdeauna că se folosește o cantitate adecvată de lichid în rețetă.

- Poate părea că rețetele noastre au o cantitate mică de lichid, dar procesul de gătire lentă diferă de alte metode de gătire prin faptul că lichidul adăugat în rețetă aproape se va dubla în timpul intervalului de gătire. Așadar, dacă adaptați o rețetă pentru oala de gătit, reduceți cantitatea de lichid înaintea gătirii.

DURATA REȚETEI	GĂTIRE LA TREAPTA JOASĂ	GĂTIRE LA TREAPTA ÎNALTĂ
Între 15 și 30 de minute	Între 4 și 6 ore	Între 1½ și 2 ore
Între 30 și 45 de minute	Între 6 și 10 ore	Între 3 și 4 ore
Între 50 de minute și 3 ore	Între 8 și 10 ore	Între 4 și 6 ore

PASTE ȘI OREZ:

- Pentru rezultate optime, folosiți urez cu bobul lung, dacă rețeta nu indică altceva. Dacă orezul nu este gătit complet după intervalul de timp sugerat, adăugați 1 până la 1½ cești de lichid la o ceașcă de orez gătit și continuați gătitul timp de 20 până la 30 de minute.
- Pentru rezultate optime la prepararea pastelor, mai întâi fierbeți parțial pastele în apă clocotită până se înmoaie puțin. Adăugați pastele în timpul ultimelor 30 de minute din intervalul de gătire.

FASOLE:

- Fasolea trebuie să fie înmuiată complet înainte de a o combina cu alimente care conțin zaharuri și/sau acizi. Zaharurile și acizii au un efect de întărire asupra fasolei și vor împiedica înmuierea.
- Fasolea uscată, în special cea roșie trebuie să fie fiartă înainte de a o adăuga în rețetă.
- Se poate folosi fasole complet gătită din conservă ca înlocuitor pentru fasolea uscată.

LEGUME:

- Numeroase legume se pretează bine la gătit lent și își dezvoltă întreaga savoare. Acestea nu au tendința de a se găti excesiv în oala de gătit așa cum se poate întâmpla în cuptor sau pe plită.
- Când preparați rețete cu legume și carne, așezați legumele în oala de gătit înaintea cărnii. Legumele se gătesc de obicei mai lent decât carnea în oala de gătit și este util faptul că sunt cuprinse parțial de lichidul de gătire.
- Așezați legumele aproape de baza bolului de gătit pentru a ajuta la gătire.

VERDEȚURI ȘI MIRODENII:

- Verdețurile proaspete adaugă aromă și culoare, dar trebuie să fie adăugate la sfârșitul ciclului de gătire, deoarece aroma se va disipa în timpul intervalelor de gătire lungi.
- Verdețurile și mirodeniile măcinate și/sau uscate se pretează bine la gătit lent și pot fi adăugate la început.
- Intensitatea aromei tuturor verdețurilor și mirodeniilor poate varia mult în funcție de intensitatea lor specifică și de durata de valabilitate. Folosiți verdețurile moderat, gustați la sfârșitul ciclului de gătire și ajustați sezonarea imediat înaintea servirii.

LAPTE:

- Laptele, smântâna dulce și smântâna fermentată se descompun în timpul gătirii prelungite. Dacă este posibil, adăugați-le în ultimele 15 până la 30 de minute ale gătirii.
- Supele condensate pot înlocui laptele și pot fi găsite pe perioade lungi de timp.

CARNE:

- Îndepărtați grăsimea, clătiți bine și uscați carnea prin tamponare cu șervețe de hârtie.
- Rumenirea cărnii în prealabil permite scurgerea grăsimii înaintea gătirii lente și, de asemenea, adaugă o mai mare intensitate a aromei.
- Carnea trebuie să fie poziționată astfel încât să se afle în bolul de gătit fără a atinge capacul.
- Pentru bucățile mai mici sau mai mari de carne, modificați cantitatea de legume sau cartofi, astfel încât bolul să fie umplut întotdeauna între ½ și ¾.
- Dimensiunea cărnii și intervalele de gătire recomandate sunt doar valori estimative și pot varia în funcție de tăietura specifică, tip și structura osului. Tipurile de carne slabă, cum ar fi piul sau mușchiul de porc, tind să se gătească mai rapid decât tipurile de carne cu mai mult țesut de legătură și mai multă grăsime, cum ar fi anticotul de vită și spata de porc. Gătirea cărnii cu os, spre deosebire de cea fără os, va crește intervalul de gătire necesar.
- Tăiați carnea în bucăți mai mici când gătiți cu alimente prefierate, cum ar fi fasolea sau fructele, sau cu legume fragede, cum ar fi ciupercile, ceapa tăiată cubulețe, vinetele sau legumele tocate mărunt. Acest lucru permite gătitul simultană a alimentelor.

PEȘTE:

- Peștele se gătește rapid și trebuie să fie adăugat la sfârșitul ciclului de gătire, în timpul ultimelor cincisprezece minute până la o oră din intervalul de gătire.

REȚETE

Pentru inspirație, descoperă mai multe rețete pe www.crockpot-romania.ro

Supă de legume rădăcinoase 4 porții

150 g morcovi, curățați și tăiați în bucăți de aprox. 5 cm
150 g rădăcina de țelină, curățată și tăiată în bucăți de aprox. 5 cm
150 g praz, curățat, spălat și tăiat în bucăți de aprox. 5 cm
300 g napi, curățați și tăiați în bucăți de aprox. 5 cm
1 ceapă mică, tăiată cubulețe
800 ml de supă de legume de bună calitate
1 foaie de dafin
Condimente

1. Puneți toate ingredientele în vasul din ceramică și montați capacul.
2. Gătiți la treapta Jos timp de 6–7 ore sau la treapta Înalt timp de 4–5 ore.
3. Lăsați supa să se răcească puțin, apoi scoateți frunza de dafin și transferați supa în vasul de amestecare. Amestecați până obțineți consistența dorită. Alternativ, transferați supa într-un recipient potrivit pentru amestecare manuală.
4. Serviți supa garnisită cu puțină smântână maturată și arpagic tocat.

Friptură de vită înăbușită simplă 4–5 porții

750 g piept slab de vită
15 ml ulei vegetal
1 ceapă roșie, curățată și tocată
1 morcov, curățat și tocat
1 tulpină de țelină, spălată și tocată
Jumătate de dovleac plăcintar, curățat de coajă și de semințe și tocat neregulat
200 ml supă fierbinte de vită, de calitate
2 foi de dafin
5 g frunze de cimbru proaspăt tocate

1. Încălziți o tigaie potrivită până se înfierbântă. Adăugați uleiul și sotați pieptul până se rumenește.
2. Adăugați legumele pregătite în vasul de ceramică. Asigurați-vă că sunt tăiate în bucăți aproximativ egale (aceasta asigură gătitul uniform).
3. Puneți pieptul rumenit deasupra legumelor.
4. Turnați supa de vită, apoi adăugați foile de dafin și cimbrul. Puneți la loc capacul.
5. Gătiți la treapta Jos timp de 7–8 ore sau la treapta Înalt timp de 5–6 ore.
6. Scoateți carnea din oală și serviți-o tăiată în felii groase cu piure de cartofi cremos și legumele găsite în oală.

Pulpe de miel înăbușite în stil mediteranean 4 porții

15 ml ulei vegetal
4 pulpe mici de miel
1 ceapă roșie mare, tocată neregulat
1 morcov mediu, curățat și tocat
2 căței de usturoi, tocați
400 g de roșii tocate la conservă
15 g oregano proaspăt, tocat mare sau 10 g oregano uscat
250 ml vin roșu
30 g piure de tomate

1. Încălziți o tigaie potrivită până se înfierbântă, adăugați uleiul, apoi sotați pulpele de miel până se rumenesc pe toate părțile.
2. Puneți mielul în vasul din ceramică, adăugați restul ingredientelor și amestecați bine pentru a le combina.
3. Acoperiți și gătiți la treapta Jos timp de 8–9 ore sau la treapta Înalt timp de 6–7 ore.
4. Dacă este nevoie, îngroșați sosul cu puțină făină de porumb amestecată cu apă. Serviți cu legume rădăcinoase la cuptor și cușcuș.

Prăjitură cu mere și nuci cu aluat fraged 4 porții

150 g făină simplă
50 g fulgi de ovăz
100 g zahăr brun deschis
3 g scorțișoară măcinată
2 g nușoară măcinată
150 g unt, tăiat cuburi
125 g nuci tocate
50 g zahăr pudră, sau după gust
20 g făină de porumb
2,5 g ghimbir măcinat
2,5 g scorțișoară măcinată
800 g mere pentru gătit – curățate de coajă și de miez și feliate
30 ml zeamă de lămâie

1. Puneți făina, zahărul brun, ovăzul și mirodeniile într-un bol mare de amestecat. Adăugați cuburile de unt și frământați ușor cu degetele până când se formează un amestec cu aspect de firimituri. Amestecați nucile tocate și puneți deoparte.
2. Puneți deoparte o lingură de zahăr pudră, apoi combinați restul de zahăr, scorțișoară și ghimbir într-un bol mic.
3. Puneți merele pregătite în vasul din ceramică în straturi, presărând fiecare strat cu amestecul de zahăr și mirodenii.
4. Amestecați zahărul pudră pus deoparte, făina de porumb și zeama de lămâie, apoi turnați amestecul peste stratul de mere de sus.
5. Puneți deasupra amestecul de aluat firimituri, montați capacul și gătiți la treapta Jos timp de 4–5 ore sau la treapta Înalt timp de 2–3 ore (sau până când merele sunt moi).
6. După ce a trecut timpul de gătit, deschideți parțial capacul timp de 30 de minute pentru a permite întărirea crustei de aluat fraged. Serviți cu înghețată de vanilie sau cremă fierbinte din lapte și ouă.

CURĂȚAREA

Deconectați ÎNTOTDEAUNA oala de gătit de la priza electrică și lăsați-o să se răcească înainte de a o curăța.

ATENȚIE: Nu scufundați niciodată baza de încălzire, cablul de alimentare sau ștecherul în apă sau în orice alt lichid.

Capacul și vasul din ceramică pot fi spălate în mașina de spălat vase sau cu apă fierbinte cu săpun. Nu utilizați agenți de curățare abrazivi sau lavete aspre. O lavetă, un burete sau o spatulă din cauciuc va îndepărta de obicei resturile. Pentru a îndepărta petele de apă și alte pete, folosiți un agent de curățare neabraziv sau oțet.

Ca orice ceramică fină, vasul din ceramică și capacul nu rezistă la schimbări bruște de temperatură. Nu spălați vasul din ceramică sau capacul cu apă rece când sunt fierbinți.

Exteriorul bazei de încălzire poate fi curățat cu o lavetă moale și apă caldă cu săpun. Uscați-le prin ștergere. Nu folosiți agenți de curățare abrazivi.

Nu este necesară altă activitate de service.

NOTĂ: După curățarea manuală, lăsați vasul din ceramică să se usuce la aer înainte de depozitare.

GARANȚIE

Vă rugăm să păstrați chitanța, prezența acesteia fiind solicitată în cazul oricărui solicitări de reparație acoperite de garanție.

Garanția acestui aparat este de 2 ani de la data achiziției, conform informațiilor din acest document.

În timpul perioadei de garanție, în cazul puțin probabil în care aparatul nu mai funcționează din cauza unei defecțiuni de design sau de fabricație, înapoiți-l magazinului de unde l-ați achiziționat, împreună cu bonul de casă și o copie a acestei garanții.

Drepturile și beneficiile oferite conform acestei garanții sunt suplimentare față de drepturile dvs. legale, care nu sunt afectate de această garanție. Jarden Consumer Solutions (Europe) Ltd. („JCS (Europe)”) își rezervă dreptul de a modifica acești termeni.

JCS (Europe) își asumă, pe perioada garanției, obligația de a repara sau de a înlocui gratuit aparatul sau orice componentă a aparatului care se dovedește a nu funcționa, în următoarele condiții:

- să anunțați imediat magazinul sau JCS (Europe) despre apariția problemei; și
- aparatul să nu fi fost modificat în niciun fel sau să nu fi fost supus deteriorărilor, întrebuințării greșite, abuzurilor, reparațiilor sau modificărilor efectuate de către alte persoane decât cele autorizate de JCS (Europe).

Defecțiunile care apar în urma utilizării neadecvate, deteriorării, abuzului, alimentării la tensiuni neadecvate, catastrofelor naturale, evenimentelor neprevăzute de JCS (Europe), reparației sau modificării de către o altă persoană decât cele autorizate de JCS (Europe) sau nerespectării instrucțiunilor de utilizare nu sunt acoperite de această garanție. În plus, uzura normală, incluzând, fără a se limita la, decolorările minore și zgârieturile nu sunt acoperite de această garanție.

Drepturile prevăzute în această garanție se vor aplica numai primului cumpărător și nu se extind în cazul utilizării comerciale sau comune.

Dacă aparatul dvs. are inclusă o garanție specifică țării de utilizare sau o garanție suplimentară, vă rugăm să consultați, pentru informații suplimentare, termenii și condițiile respectivei garanții și nu ale acesteia sau să contactați distribuitorul local autorizat.

Deșeurile provenite din produsele electrice nu trebuie eliminate împreună cu deșeurile menajere. Vă rugăm să le reciclați dacă aveți această posibilitate. Pentru informații suplimentare privind reciclarea și deșeurile provenite din echipamentele electrice și electronice, contactați-ne prin e-mail la adresa enquiriesEurope@jardencs.com.

Jarden Consumer Solutions (Europe) Limited
5400 Lakeside
Cheadle Royal Business Park
Cheadle
SK8 3GQ
United Kingdom



БЪЛГАРСКИ ВАЖНИ ПРЕДПАЗНИ МЕРКИ

Прочетете Внимателно И Спести За Бъдещи Справки

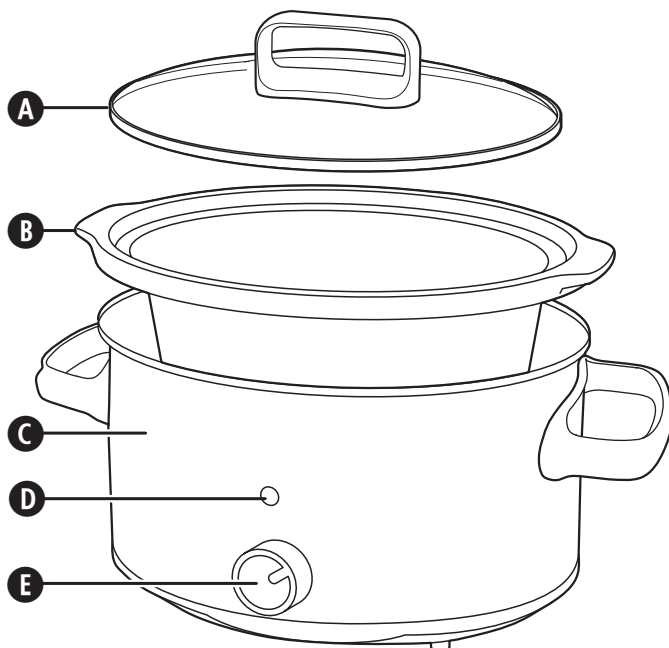
Този уред може да се използва от деца на възраст над 8 години и от лица с намалени физически, сетивни или психически възможности, или без опит или познания, ако са под наблюдение или са били инструктирани за безопасна употреба на уреда и разбират опасностите, свързани с неговата експлоатацията. Децата не трябва да си играят с уреда. На деца на възраст над 8 години е разрешено да почистват и поддържат уреда само под наблюдение. Пазете уреда и хранящия кабел далече от достъп на деца под 8 години.

 Частите на уреда се загряват по време на употреба.

Ако хранящия кабел е повреден, трябва да бъде заменен от производителя, от негов сервизен представител или от подобни квалифицирани лица, за да няма заплаха за безопасността.

Никога не използвайте уреда за цели, различни от неговото предназначение. Този уред е само за домашна употреба. Не използвайте уреда на открито.

- Този уред генерира топлина по време на работа. Трябва да се вземат подходящи предпазни мерки, за да се избегне рискът от изгаряния, попарвания, пожари или други щети на лица или имущество, причинени от докосване на външните части на уреда при употреба или по време на охлаждане.
- Винаги първо се уверявайте, че ръцете ви са сухи, преди да боравите със запускателната или да превключвате уреда.
- Винаги поставяйте уреда върху стабилна, надеждна, суха и равна повърхност.
- Този уред не трябва да се поставя върху или в близост до потенциално горещи повърхности (като например газова или електрическа подставка (плот)).
- Не използвайте уреда, ако е бил изпускан, ако има видими следи от повреда или ако тече.
- Преди да пристъпите към почистване, уверете се, че уредът е изключен и че щепселът е изваден от мрежовия контакт след употреба.
- Винаги оставайте уреда да се охлади преди почистване или съхранение.
- Никога не потапяйте каквато и да е част от уреда или хранящия кабел и щепсела във вода или някаква друга течност.
- Никога не оставайте хранящия кабел да виси над ръба на работещ уред, да се докосва до горещи повърхности или да се навързва на възли, да се приклепва или зацепва.
- Не докосвайте външните повърхности на уреда по време на употреба, тъй като те могат да бъдат силно нагорещени. Използвайте кухненски ръкавици или кърпа, за да отворите капака. Пазете се от излизачата пара при отварянето на капака.
- НИКОГА не опитвайте да затопляте каквато и да е храна директно във вътрешността на основата на уреда. Винаги използвайте подвижния съд за готвене.
- Има повърхности, които не са пригодени да издържат продължително време на генерираната от някои уреди топлина. Не поставяйте уреда върху повърхности, които могат да се повредят от топлина. За да се предотвратят възможни повреди на повърхността, ние препоръчваме да поставите подложка за горещи съдове или триножник под уреда.
- Капакът на уреда за бавно готвене е от закалено стъкло. Винаги проверявайте капака за начупвания, пропуквания или други повреди. Не използвайте стъкления капак, ако е повреден, тъй като може да се натроши, докато го използвате.



ЧАСТИ

- A** Капак
- B** Керамичен съд за готвене
- C** Нагревателна основа на уреда
- D** светлинен индикатор за захранването
- E** регулатор за настройка

ПОДГОТОВКА ЗА УПОТРЕБА

Преди да използвате вашия уред за бавно готвене Crock-Pot®, отстранете всички опаковъчни компоненти, измийте капака и керамичния съд със сапунена вода и ги подсушете добре. **ВНИМАНИЕ:** Никога не потапяйте нагревателната основа, захранващия кабел или щепсела във вода или друга течност.

ВАЖНИ ЗАБЕЛЕЖКИ: Повърхностите на някои плотове и маси не са пригодени да издържат продължително време на генерираната от някои уреди топлина. Не поставяйте нагрят уред върху чувствителни спрямо топлината повърхности. Препоръчваме да поставяте подложка за горещи съдове или триножник под уреда за бавно готвене, за да се избегнат възможни повреди по неговата повърхност.

Бъдете внимателни, когато поставяте керамичния съд върху печки с керамични котлони или върху плот със стъклени котлони, върху плотове, маси или други повърхности. Поради естеството на керамичния съд грубата повърхност на дъното може да надраска някои повърхности, ако не се проявява внимание. Винаги поставяйте предпазна подложка под керамичния съд, преди да го поставите върху маса или плот.

По време на първоначалната употреба на уреда е възможно да се отдели лек дим или мирис. Това е нормално явление за много нагревателни уреди, което изчезва след няколко ползвания.

НАЧИН НА УПОТРЕБА НА УРЕДА ЗА БАВНО ГОТВЕНЕ

1. Поставете керамичния съд в нагревателната основа, добавете продуктите в керамичния съд и поставете капака.
2. Включете Вашия уред за бавно готвене и завъртете регулатора за настройка на висока (III) или ниска (II) температура на готвене.
ЗАБЕЛЕЖКА: Настройката ТОПЛО (III) служи САМО за поддържане в топло състояние на вече сготвената храна. НЕ гответе с настройка ТОПЛО. Не препоръчваме използване на настройката ТОПЛО за повече от 4 часа.
3. Когато приключи готвенето, изключете кабела на уреда за бавно готвене от контакта и оставете уреда да се охлади, преди да го почистите.

БЕЛЕЖКИ ЗА УПОТРЕБА

- Ако желаете, можете да превключите ръчно на настройка ТОПЛО (III), след като готвенето е завършило, съгласно вашата рецепта.
- За да избегнете прекаленото или недостатъчното сготвяне на храната, винаги пълнете керамичния съд до ниво $\frac{1}{2}$ или $\frac{3}{4}$ и използвайте препоръчаното време за готвене.
- Не препълвайте керамичния съд. За да избегнете преливането, не пълнете керамичния съд повече от $\frac{3}{4}$ от обема му.
- Винаги гответе с поставен капак и следвайте препоръчаното време. Не сваляйте капака през първите два часа на готвенето, за да може да се увеличава ефективно топлината.
- Винаги използвайте кухненски ръкавици, когато боравите с капака или керамичния съд.
- Изключвайте уреда от контакта след приключване на готвенето и преди почистване.
- Подвижният керамичен съд и капакът са огнеупорни. Не поставяйте подвижния керамичен съд върху газов котлон, електрически котлон или в грил.

УКАЗАНИЯ И СЪВЕТИ ЗА ГОТВЕНЕ

- Отстранете мазнината и подсушете месото, за да отстраните остатъците. (Ако месото съдържа мазнини. Запържете леко в съда за готвене и отцедете добре). Овкусете със сол и черен пипер. Поставете месото върху зеленчуците в съда за готвене.
- При приготвяне на варено или задушено зaleyте месото с течност. Не използвайте повече от указаната в рецептата течност. При бавното готвене месото задържа повече сос, отколкото при традиционното готвене.
- Повечето зеленчуци трябва да бъдат нарязани тънко или да се поставят близо до стените или дъното на керамичния съд. В уред за бавно готвене на месото обикновено е нужно по-малко време да се сготви, отколкото на повечето зеленчуци.
- Използвайте целите листа на билките и подправките, за да получите най-добрия и силен вкус с метода на бавното готвене.
- Дъното не се нагрява директно, затова винаги пълнете керамичния съд за готвене поне наполовина, за да съответства на препоръчаното време за готвене. Възможно е и приготвяне на малки количества, но времето за готвене може да бъде различно.
- Посочената в дадена рецепта течност може да бъде заместена с друга, ако се използва същото количество. Напр. една доза супа може да се замести с една доза домати; или 1 чаша телешки или пилешки бульон да се замести с 1 чаша вино.
- Фасулът трябва да се остави да омекне напълно, преди да се комбинира със сладки и/или кисели храни. (ЗАБЕЛЕЖКА: Захарта и киселината действат втвърдяващо на фасула и предотвратяват омекването).

РЪКОВОДСТВО ЗА АДАПТИРАНЕ НА РЕЦЕПТИ

Това ръководство е създадено, за да ви помогне да адаптирате свои или чужди рецепти за уреда за бавно готвене. Много от обичайните подготвителни стъпки не са необходими, когато използвате уреда за бавно готвене. В много случаи всички продукти могат да се сложат наведнъж в уреда за бавно готвене и да се готвят цял ден. Общи:

- Осигурете достатъчно време за готвенето.
- Гответе с поставен капак.
- За да постигнете най-добри резултати и да избегнете изсъхване или загаряне на храната, винаги предвиждайте необходимото количество течност в рецептата.
- Може да ви си стори, че нашите рецепти съдържат малко количество течност, но процесът на бавно готвене се различава от другите методи на готвене по това, че добавената течност в рецептата почти се удвоява по време на готвенето. Затова, когато искате да адаптирате дадена рецепта за вашата тенджерата за бавно готвене, намалете количеството на течността, преди да пристъпите към готвене.

ВРЕМЕ ЗА ИЗПЪЛНЕНИЕ НА РЕЦЕПТАТА	ГОТВЕНЕ НА НИСКА СТЕПЕН	ГОТВЕНЕ НА ВИСОКА СТЕПЕН
15 до 30 минути	4 до 6 часа	1½ до 2 часа
30 до 45 минути	6 до 10 часа	3 до 4 часа
50 минути до 3 часа	8 до 10 часа	4 до 6 часа

ПАСТА И ОРИЗ:

- За да постигнете най-добри резултати, използвайте дългозърнест ориз, освен ако в рецептата не е споменато друго. В случай че оризът не е напълно сварен след изтичане на препоръчаното време, добавете от 1 до 1½ допълнителна чаша течност на чаша ориз и продължете готвенето за още 20 до 30 минути.
- За да постигнете най-добри резултати при готвенето на паста, обработете я предварително, като я потопите във вряща вода, докато омекне. Добавете пастата в последните 30 минути от процеса на готвене.

БОБОВИ ХРАНИ:

- Фасулът трябва да се остави да омекне напълно, преди да се комбинира със сладки и/или кисели храни. Сахарта и киселината действат втвърдяващо на фасула и предотвратяват омекването.
- Сушеният боб, особено червеният боб, трябва да се сварява преди да се добави към дадена рецепта.
- Свареният консервиран боб може да се използва като заместител на сухия боб.

ЗЕЛЕНЧУЦИ:

- При много зеленчуци бавното готвене е полезно и позволява да се подсили техният вкус. Тенджерата за бавно готвене предотвратява преваряването им, както се случва при готвене в печка или на котлон.
- При готвене на рецепти, съдържащи зеленчуци и месо, поставяйте зеленчуците в тенджерата за бавно готвене преди месото. Обикновено зеленчуците се сваряват по-бавно от месото в тенджерата за бавно готвене, като при това не са напълно потопени в течността за готвене.
- За да се сготвят по-добре, поставяйте зеленчуците близо до дъното на съда за готвене.

БИЛКИ И ПОДПРАВКИ:

- Пресните билки добавят вкус и цвят, но трябва да се прибавят в края на цикъла на готвене, понеже при продължително готвене техният аромат изчезва.
- Млените и/или сушените билки и подправки са подходящи за бавно готвене и могат да се добавят и в началото.
- Вкусът на всички билки и подправки е различен по сила в зависимост от техните особености и от трайността им. Използвайте билките пестеливо, пробвайте вкуса в края на цикъла на готвене и коригирайте подправките непосредствено преди сервирането.

МЛЯКО:

- Млякото, сметаната и киселото мляко се разлагат при продължително готвене. Когато е възможно, добавяйте ги през последните 15 до 30 минути на готвенето.
- Кондензираните супи могат да заместят млякото и могат да се готвят продължително време.

МЕСО:

- Изрежете мазнината, измийте добре и подсушете месото с домакинска хартия.
- Запържването до леко златисто на месото дава възможност за отстраняване на мазнината преди готвене, но също така придава дълбочина на вкуса.
- Когато месото е в съда за готвене, то не трябва да докосва капака.
- За по-малки или за по-големи парчета месо променяйте количеството зеленчуци или картофи по такъв начин, че съдът да бъде винаги пълен от ½ до ¾.
- Размерът на месото и препоръчаното време за готвене са само приблизителни и могат да се променят в зависимост от специфичната форма, вида и костната структура на месото. По-крежките меса, като пилешкото или свинското филе, изискват по-малко време за готвене от тези с повече съединителна тъкан и мазнина, като телешка и свинска плешка. Ако месото е с кост, то необходимото време за готвене ще е по-дълго, отколкото, ако месото е без кост.
- Когато готвите с предварително приготвени продукти като фасул или плодове или зеленчуци като гъби, накълцан лук, патладжани или ситно нарязани зеленчуци, използвайте нарязано на по-малки парчета месо. По този начин всички съставки ще бъдат равномерно сготвени.

РИБА:

- Рибата се готви бързо и трябва да се добавя в последните петнадесет минути на готвенето.

РЕЦЕПТИ

За още вдъхновяващи рецепти, моля посетете www.slowcooker.bg

Супа от кореноплодни зеленчуци за 4 порции

150 g моркови – обелени и нарязани на кръгчета от пригл. 5 cm
150 g корен на целина – обелена и нарязана на парчета от пригл. 5 cm
150 g праз – изчистен, измит и нарязан по дължина на кръгчета от пригл. 5 cm
300 g жълта ряпа – обелена и нарязана на парчета от пригл. 5 cm
1 малка глава лук – накълцана
800 ml хубав зеленчуков бульон
1 дафинов лист
Подправки

1. Сложете всички продукти в керамичния съд и поставете капака.
2. Гответе на ниска температура за 6-7 часа или на висока температура за 4-5 часа.
3. Оставете леко да се охладят, преди да извадите дафиновия лист и да пресипете в кана за блендиране. Блендирайте супата до желаната консистенция. Можете да пресипете супата и в съд, подходящ за ръчно пасиране.
4. Поднесете гарнирана с ивица готварска сметана и накълцан див лук.

Лесно задушено телешко за 4-5 порции

750 g крежки телешки гърди
15 ml растително олио
1 глава червен лук – обелена и накълцана
1 морков – обелен и накълцан
1 стрък целина – измит и накълцан
Половинката от малка тиква тип „цигулка“ – изчистена от семките, обелена и добре смляна
200 ml хубав горещ телешки бульон
2 дафинови листа
5 g прясно накълцани листа от мащерка

1. Сложете подходящ тиган за пържене да се загрее на котлона. Добавете олиото и запържете телешките гърди, докато добият златист цвят.
2. Сложете предварително подготвените зеленчуци в керамичния съд. Уверете се, че са нарязани на приблизително еднакви по големина парчета (това ще доведе до по-добри резултати при готвенето).

3. Добавете запържените до златисто парчета телешки гърди към зеленчуците.
 4. Залейте с телешкия бульон, прибавете дафиновите листа и мащерката. Поставете отново капака.
 5. Гответе на ниска температура за 7-8 часа или на висока температура за 5-6 часа.
 6. Извадете парчето месо от уреда за бавно готвене и го поднесете нарязано на тънки парчета с картофено пюре и зеленчуците.
-

Задушени агнешки котлети по средиземноморски за 4 порции

15 ml растително олио
4 малки агнешки котлета
1 голяма глава червен лук – накълцана на едро
1 средно голям морков – обелен и накълцан
2 скилидки чесън – накълцани
400 g ситно накълцани домати
15 g накълцан на едро пресен риган или 10 g сух риган
250 ml червено вино
30 g доматино пюре

1. Сложете подходящ тиган за пържене да се загрее на котлона, добавете олиото, и запържете агнешките котлети до златисто от всяка страна.
 2. Сложете агнешкото в керамичния съд и прибавете останалите продукти, разбъркайте добре.
 3. Гответе на ниска температура за 8-9 часа или на висока температура за 6-7 часа.
 4. Ако е необходимо, сгъстете соса с малко царевично брашно, размито във вода. Поднесете с печени кореноплодни зеленчуци и кускус.
-

Ябълков крѐмбъл с ядки за 4 порции

150 g брашно
50 g овесени ядки
100 g кафява захар
3 g канела на прах
2 g индийско орехче на прах
150 g масло на кубчета
125 g смлени орехи
50 g пудра захар (или на вкус)
20 g царевично брашно
2,5 g млян джинджифил
2,5 g мляна канела
800 g ябълки, подходящи за готвене – обелени, изчистени и нарязани на шайби
30 ml сок от лимон

1. В дълбока купа сложете брашното, кафявата захар, овесените ядки и подправките. Прибавете нарязаното на кубчета масло и омесете с пръсти, докато сместа добие вид на крѐмбъл. Добавете и разбъркайте смлените орехи и оставете настрана.
2. Отделете една лъжица от пудрата захар, след което в малка купа разбъркайте останалото количество от нея с канелата и джинджифила.
3. Сложете предварително подготвените ябълки в керамичния съд на пластове, като поръсвате всеки пласт със захар и сместа от подправките.
4. Разбъркайте заедно останалата пудра захар, царевичното брашно и лимоновия сок, след което го изсипете върху най-горния пласт ябълки.
5. Покрийте със сместа за крѐмбъл, поставете капака и гответе на ниска температура за 4-5 часа или на висока температура за 2-3 часа (или до омекването на ябълките).
6. След изтичане на времето за готвене, отместете леко капака, без да го сваляте напълно, за около 30 минути, за да може крѐмбълът да се стегне. Поднесете с ванилов сладолед или топъл сметанов крем.

ПОЧИСТВАНЕ

Преди почистване ВИНАГИ изключвайте уреда за бавно готвене от електрическия контакт и го оставяйте да се охлади.

ВНИМАНИЕ: Никога не потапяйте нагревателната основа, захранващия кабел или щепсела във вода или друга течност.

Капакът и керамичният съд могат да се мият в съдомиялна или с топла сапунена вода. Не използвайте абразивни почистващи вещества или телени гъби. Остатъците обикновено могат да се отстранят с кърпа, гъба или гумена шпатула. За премахване на варовикови остатъци от вода и други петна използвайте неабразивен почистващ препарат или оцет.

Както фината керамика, така и керамичните съдове не издържат на резки температурни промени. Не мийте керамичния съд и капака със студена вода, докато са още горещи.

Външната повърхност на нагревателната основа може да се почиства с мека кърпа и топла сапунена вода. Избършете до сухо състояние. Не използвайте абразивни почистващи средства.

Не е необходимо извършване на друго обслужване.

ЗАБЕЛЕЖКА: След като почистите на ръка, оставете да изсъхне, преди да приборете за съхранение.

ГАРАНЦИЯ

Моля, пазете касовата бележка, тъй като ще ви бъде необходима за каквито и да е рекламации по настоящата гаранция.

Този уред има гаранция от 2 години, след като го закупите, както е описано в настоящия документ.

По време на този гаранционен срок, ако в малко вероятния случай уредът спре да функционира поради неизправност в конструкцията или в изработката, моля, върнете го обратно на мястото, откъдето сте го закупили, с вашата касова бележка и копие на настоящата гаранция.

Правата и ползите по настоящата гаранция са в допълнение към вашите установени със закон права, които не са засегнати от настоящата гаранция. Единствено Jarden Consumer Solutions (Europe) Ltd. („JCS (Europe)“) има правото да променя тези условия.

JCS (Europe) поема задължението в рамките на гаранционния срок да ремонтира безплатно или да замени уреда, или каквото и да е част от уреда, ако се установи, че не работи правилно, при условие че:

- надлежно уведомите мястото на закупуване или JCS (Europe) за проблема; и
- уредът не е бил модифициран по какъвто и да е начин или не е бил предмет на неправилна употреба, злоупотреба, ремонт или изменение от лице, което не е оторизираното от JCS (Europe).

Неизправности, появили се в резултат от неправилна употреба, повреда, злоупотреба, използване с неправилно напрежение, природни бедствия, събития извън контрола на JCS (Europe), ремонт или модификация от лице, различно от оторизираното от JCS (Europe) лице, или в резултат от неспазване на инструкциите за употреба, не се покриват от настоящата гаранция. Освен това нормалното износване на уреда, включително, но не само, леко обезцветяване и драскотини, не се покриват от настоящата гаранция.

Правата по настоящата гаранция се прилагат само за първоначалния купувач и не продължават действието и валидността си при търговска или обща употреба.

Ако вашият уред включва притурка със специфична за страната гаранция, моля, вижте сроковете и условията на тази гаранция вместо настоящата гаранция, или се обърнете към вашия местен оторизиран дилър за повече информация.

Отпадъците от електрически продукти не трябва да се изхвърлят в контейнерите за отпадъци от домакинствата.

Моля, рециклирайте такива отпадъци, където съществуват съоръжения за това. Изпратете ни имейл на: enquiriesEurope@jardencs.com за информация относно по-нататъшно рециклиране и относно WEEE (директивата за отпадъците от електрически и електронно оборудване (OEEO)).

Jarden Consumer Solutions (Europe) Limited
5400 Lakeside
Cheadle Royal Business Park
Cheadle
SK8 3GQ
United Kingdom



HRVATSKI

VAŽNE SIGURNOSNE UPUTE

PROČITAJTE PAŽLJIVO I SPREMITI ZA BUDUĆE POTREBE

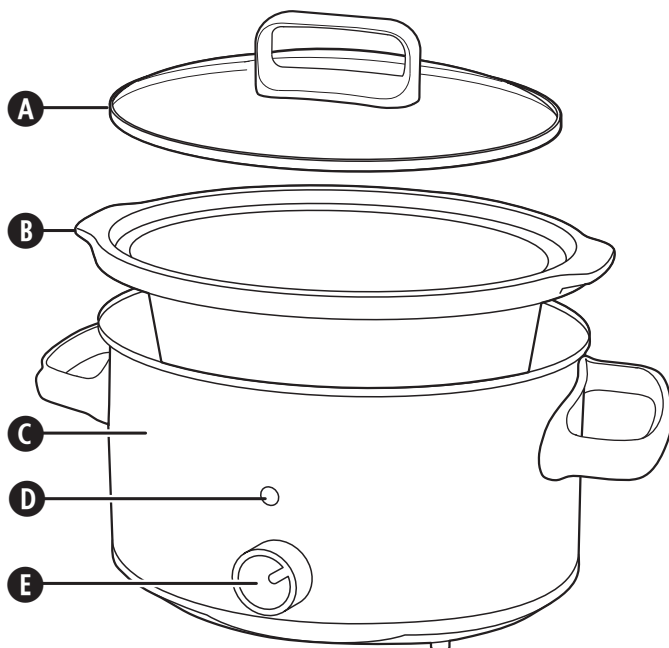
Ovaj uređaj mogu koristiti djeca starija najmanje 8 godina i osobe sa smanjenim fizičkim, osjetilnim ili mentalnim sposobnostima, ili nedostatkom iskustva i znanja, ako im je pružen nadzor ili upute o sigurnom korištenju uređaja i ako razumiju postojeće opasnosti. Djeca se ne smiju igrati s uređajem. Čišćenje i korisničko održavanje ne smiju izvoditi djeca mlađa od 8 godina i bez roditeljskog nadzora. Uređaj i njegov kabel držite izvan doseg djece mlađe od 8 godina.

⚠ Dijelovi uređaja mogu se ugrijati tijekom upotrebe.

Ako je kabel za napajanje oštećen, potrebno je da ga proizvođač, njegov ovlašteni servisni predstavnik ili podjednako kvalificirana osoba zamijeni radi izbjegavanja opasnosti.

Uređaj upotrebljavajte isključivo u svrhu za koju je namijenjen. Ovaj je uređaj predviđen isključivo za upotrebu u kućanstvu. Uređaj nemojte koristiti na otvorenom prostoru.

- Ovaj uređaj proizvodi toplinu tijekom korištenja. Potrebno je poduzete odgovarajuće mjere opreza radi sprječavanje opasnosti od opekline, vrućine, vatre ili drugih osobnih ozljeda ili oštećenja imovine uzrokovanih dodirivanjem vanjske površine tijekom korištenja ili hlađenja.
- Uvijek se pobrinite da su vam ruke suhe prije rukovanja utikačem ili prekidačem uređaja.
- Uređaj uvijek koristite na stabilnoj, sigurnoj, suhoj i vodoravnoj površini.
- Ovaj se uređaj ne smije postavljati na ili u blizini potencijalno vrućih površina (poput plinske ili električne peći).
- Nemojte koristiti uređaj ako ja pao na pod, ako postoje bilo kakvi vidljivi znakovi oštećenja ili ako propušta vodu.
- Uređaj uvijek odvojite od utičnice električnog napajanja ako ga ostavljate bez nadzora te prije sklapanja, rasklapanja ili čišćenja.
- Uvijek pustite da se uređaj ohladi prije čišćenja ili spremanja.
- Nemojte nikada bilo koji dio uređaja ili kabel napajanja uranjati u vodu ili drugu tekućinu.
- Nemojte dopustiti da kabel napajanja visi preko ruba radne površine, da dodiruje vruće površine ili da se zaplete, zaglavi ili prignječi.
- Nemojte tijekom upotrebe dodirivati vanjske površine uređaja jer bi oni mogle postati jako vruće. Prilikom uklanjanja poklopca koristite kuhinjske rukavice ili krpu. Obratite pažnju na vruću paru prilikom uklanjanja poklopca.
- NIKAD ne pokušavajte zagrijavati bilo kakvu hranu izravno u osnovnoj jedinici. Uvijek upotrebljavajte posudu za kuhanje.
- Neke površine nisu dizajnirane da bi izdržale produljeno zagrijavanje koje stvaraju određeni uređaji. Uređaj nemojte postavljati na površinu koja bi se mogla oštetiti toplinom. Preporučujemo postavljanje izolirajuće podloge ili rešetke ispod uređaja da biste spriječili moguće oštećivanje površine.
- Poklopac sporog kuhala izrađen je od kaljenog stakla. Uvijek pregledajte poklopac radi krhotina, napuklina ili drugih oštećenja. Nemojte upotrebljavati stakleni poklopac ako je oštećen jer se tijekom upotrebe može razlomiti.



DIJELOVI

- A** Poklopac
- B** Keramička posuda za kuhanje
- C** Osnovica za grijanje
- D** Lampica napajanja
- E** Regulator za namještanje

PRIPREMA ZA UPOTREBU

Prije upotrebe sporog k Crock-Pot® kuhala uklonite sve dijelove pakiranja, toplom sapunastom vodom operite poklopac i keramičku posudu i temeljito osušite. **PAŽNJA:** Nemojte osnovicu za grijanje, kabel napajanja ili utikač uranjati u vodu ili drugu tekućinu.

VAŽNE NAPOMENE: Neke radne površine i stolovi nisu dizajnirani da bi izdržali produljeno zagrijavanje koje stvaraju određeni uređaji. Nemojte zagrijani uređaj postavljati na površinu koja je osjetljiva na toplinu. Preporučujemo postavljanje izolirajuće podloge ili rešetke odgovarajuće veličine ispod sporog kuhala kako biste spriječili moguće oštećivanje površine.

Budite oprezni kada keramičku posudu postavljate na štednjak, radnu površinu, stol ili drugu površinu izrađenu od keramike ili glatkog stakla. Usljed prirode keramičke posude, gruba površina na dnu može izgresti neke površine ako se ne obrati pažnja. Uvijek postavite zaštitnu podlogu ispod keramičke posude prije njezinog postavljanja na stol ili radnu površinu.

Tijekom početne upotrebe ovog uređaja može se uočiti određena manja količina dima i/ili neuobičajenog mirisa. Ovo je uobičajena pojava kod većine grijaćih uređaja i prestat će se pojavljivati nakon nekoliko korištenja.

UPOTREBA SPOROG KUHALA

1. Namjestite keramičku posudu na osnovicu za grijanje, dodajte sastojke u keramičku posudu i pokrijte je poklopcem.
2. Uključite svoj uređaj za sporo kuhanje u struju te okrenite regulator za namještanje na visoku (☰) ili nisku (☷) temperaturu kuhanja.

NAPOMENA: Postavka TOPLO (☱) namijenjena je SAMO za održavanje toplom hrane koja je već skuhana. NEMOJTE kuhati upotrebom postavke TOPLO. Ne preporučujemo korištenje postavke TOPLO na dulje od 4 sati.

3. Kada se kuhanje završi, odvojite sporo kuhalo od električnog napajanja i pustite da se ohladi prije čišćenja.

NAPOMENE O UPOTREBI

- Ako je poželjno, možete ručno prebaciti na postavku (☱) kada vaš recept završi s kuhanjem.
- Da biste izbjegli preslabo ili prejako kuhanje, keramičku posudu uvijek napunite $\frac{1}{2}$ do $\frac{3}{4}$ volumena i pridržavajte se preporučenih vremena kuhanja.
- Nemojte prepuniti keramičku posudu. Da biste spriječili izlivanje, keramičku posudu nemojte puniti više od $\frac{3}{4}$ volumena.
- Uvijek kuhajte s postavljenim poklopcem i na preporučeno vrijeme. Nemojte uklanjati poklopac tijekom prva dva sata kuhanja, kako bi se toplina učinkovitije nakupila.
- Prilikom rukovanja poklopcem ili keramičkom posudom uvijek koristite rukavice za kuhanje.
- Isključite utikač napajanja kada je kuhanje završeno i prije čišćenja.
- Odvojiva keramička posuda i poklopac otporni su na korištenje u pećnici. Odvojivu keramičku posudu nemojte koristiti na plinskom kuhlalu, električnoj grijaćoj ploči ili roštilju.

NATUKNICE I SAVJETI ZA KUHANJE

- Dobro obrežite masnoću i obrišite meso da biste spriječili zaostatke. (Ako meso sadrži masnoće, potamnite u posudi za kuhanje i dobro osušite.) Začinite solju i paprom. Meso smjestite na povrće u keramičkoj posudi.
- Kod pečenki i gulaša, tekućinu izlijte preko mesa. Upotrijebite samo onoliko tekućine kako je navedeno u receptu. Tijekom sporog kuhanja zadržava se više sokova u mesu i povrću u odnosu na klasično kuhanje.
- Većinu vrsta povrća trebalo bi tanko narezati ili smjestiti blizu bočnih strana ili dna keramičke posude za kuhanje. U sporom kuhlalu meso se uobičajeno kuha brže od većine vrsta povrća.
- Za najbolji i najbogatiji okus metode sporog kuhanja upotrijebite začinsko bilje i začine u cijelim listovima.
- Obzirom da na dnu nema izravnog izlaganja vrućini, keramičku posudu za kuhanje uvijek napunite najmanje do pola, da biste se pridržavali preporučenih vremena. Mogu se pripremati male količine, ali to može utjecati na vremena kuhanja.
- Ako se zahtjeva određena tekućina, recept se može varirati ako se nadomjesti podjednakom tekućinom. Na primjer, nadomještanje konzerve juhe s konzervom rajčice ili 1 čaše govedeg ili pilećeg temeljca s 1 čašom vina.
- Grah se mora u potpunosti omekšati prije kombiniranja sa slatkom i/ili kisellom hranom. (NAPOMENA: Šećer i kiseline mogu očvrnuti grah i spriječiti njegovo omekšavanje.)

VODIČ ZA PRILAGOĐAVANJE RECEPTA

Ovaj je vodič izrađen da vam pomogne u prilagođavanju vaših vlastitih i drugih recepata za vaše sporo kuhalo. Većina uobičajenih pripremnih koraka nisu potrebni kada upotrebljavate sporo kuhalo. U većini slučajeva svi se sastojci mogu odjednom staviti u sporo kuhalo i kuhati cijeli dan. Općenito:

- Dopustite dovoljno vrijeme kuhanja.
- Kuhajte poklopljeno.
- Za najbolje rezultate i da biste spriječili isušivanje ili pregorijevanje hrane, uvijek se pobrinite da u receptu koristite zadovoljavajuću količinu tekućine.

- Moglo bi izgledati da naši recepti sadrže samo male količine tekućine, ali postupak sporog kuhanja razlikuje se od ostalih metoda kuhanja po tome da bi dodatna tekućina gotovo udvostručila vrijeme kuhanja. Zato, ako recept prilagodavate za svoje sporo kuhalo, prije kuhanja smanjite količinu tekućine.

VRIJEME RECEPTA	KUHANJE NA NISKOM	KUHANJE NA VISOKOM
15 do 30 minuta	4 do 6 sati	1½ do 2 sati
30 do 45 minuta	6 do 10 sati	3 do 4 sati
50 minuta do 3 sata	8 do 10 sati	4 do 6 sati

TJESTENINA I RIŽA:

- Za najbolje rezultate upotrijebite rižu dugog zrna, osim ako recept drukčije potražuje. Ako riža nije potpuno skuhana nakon predložеног vremena, dodajte još 1 do 1½ čašu tekućine na jednu čašu kuhane riže i nastavite kuhati još 20 do 30 minuta.
- Za najbolje rezultate s tjesteninom prvo djelomično prokuhajte tjesteninu u kipućoj vodi dok ne omekša. Tjesteninu dodajte tijekom posljednjih 30 minuta kuhanja.

GRAH:

- Grah se mora u potpunosti omekšati prije kombiniranja sa slatkom i/ili kiselom hranom. Šećer i kiseline mogu očvrnuti grah i spriječiti njegovo omekšavanje.
- Sušeni grah, posebice crveni grah, moraju se prokuhati prije dodavanja u recept.
- Kuhani grah u konzervi može se upotrijebiti umjesto sušenog graha.

POVRĆE:

- Sporo kuhanje korisno je za velik je broj vrsta povrća, kako bi moglo razviti svoj potpuni okus. U vašem sporom kuhalu imaju sklonost da se neće prejako skuhati, kao što je slučaj kod pripreme u pećnici ili na štednjaku.
- Kada kuhate recepte s povrćem i mesom, povrće smjestite u sporo kuhalo prije mesa. Povrće se u sporom kuhalu uobičajeno kuha sporije u odnosu na meso, te ima korist od djelomičnog potapanja u tekućinu za kuhanje.
- Povrće smjestite bliže dnu posude za kuhanje kako biste pomogli pri njegovom kuhanju.

ZAČINSKO BILJE I ZAČIN:

- Svježe začinsko bilje dodaju okus i boju, ali bi se trebalo dodavati pri završetku kuhanja jer se okus gubi tijekom duljeg kuhanja.
- Mljeveno ili sušeno bilje i začini imaju dobar učinak prilikom sporog kuhanja i mogu se dodati na početku.
- Snaga okusa svih bilja i začina može znatno varirati ovisno o njihovoj osobnoj jačini i vijeku trajnosti. Bilje upotrijebite u malim količinama, kušajte na kraju kuhanja i prema potrebi začinite neposredno prije serviranja.

MLIJEKO:

- Mlijeko, vrhnje i kiselo mlijeko se razlažu tijekom produljenog kuhanja. Kada je to moguće, dodajte tijekom posljednjih 15 do 30 minuta kuhanja.
- Kremaste juhe u prahu mogu nadomjestiti mlijeko i mogu se dulje kuhati.

MESO:

- Obrežite masnoće, dobro isperite i osušite papirnatim ručnikom.
- Pripremo potamnijvanje mesa omogućuje ispuštanje masti prije sporog kuhanja i također dodaje na okusu.
- Meso treba odložiti u posudu za kuhanje tako da ne dodiruje poklopac.
- Kod manje ili veće izrezanih komada mesa prilagodite količinu povrća ili krumpira tako da je posuda uvijek ispunjena ½ do ¾.
- Veličina komadića mesa i preporučena vremena kuhanja su procijenjena i mogu varirati ovisno o rezanju, vrsti i strukturi kosti. Mekano meso, poput piletine ili svinjskog bifteka, kuhaju se brže od mesa s mesa s većom količinom veznog tkiva, kao što su teleći vrat ili svinjska koljenica. Kuhanje mesa na kostima produljit će vrijeme u odnosu na kuhanje bez kostiju.
- Meso izrežite na manje komade kada kuhate s unaprijed kuhanom hranom, kao što su grah ili voće, ili laganim povrćem, poput gljiva, sjeckanog luka, plavog patlidžana ili sitno sjeckanog povrća. Ovo omogućuje da se svi sastojci kuhaju istom brzinom.

RIBA:

- Riba se brzo kuha i trebala bi se dodati pri kraju kuhanja, tijekom posljednjih 15 minuta do 1 sata kuhanja.

ČIŠĆENJE

UVIJEK odvojite od električnog napajanja i pustite da se sporo kuhalo ohladi prije čišćenja.

PAŽNJA: Nemojte osnovicu za grijanje, kabel napajanja ili utikač uranjati u vodu ili drugu tekućinu.

Poklopac i keramička posuda mogu se oprati u perilici posuđa ili vrućom i sapunastom vodom. Nemojte koristiti abrazivna sredstva ili krpe za čišćenje. Ostatke uklonite krpom, spužvom ili gumenom kuhačom. Mrlje od vode i drugih sastojaka uklonite sredstvom za čišćenje bez abrazivnih svojstava ili octom.

Kao i kod bilo koje druge fine keramike, keramička posuda i poklopac ne izdržavaju nagle promjene u temperaturi. Ako su vrući, keramičku posudu i poklopac nemojte prati hladnom vodom.

Vanjska površina osnovice za grijanje mogu se čistiti mekanom krpom i toplom, sapunastom vodom. Osušite brisanjem. Nemojte upotrebljavati abrazivna sredstva za čišćenje.

Nikakvo drugo servisiranje nije potrebno izvoditi.

NAPOMENA: Nakon ručnog čišćenja dopustite da se keramička posuda prije pospremanja osuši na zraku.

JAMSTVO

Čuvajte svoje račune jer će oni biti potrebni za bilo kakva potraživanja prema ovom jamstvu.

Ovaj uređaj ima jamstvo od 2 godine nakon vaše kupnje, kako je opisano u ovom dokumentu.

Tijekom ovog jamstvenog razdoblja, u slučaju da uređaj više ne funkcionira uslijed neispravnosti u dizajnu ili proizvodnji, odnesite ga na mjesto kupnje s vašim računom i kopijom ovog jamstva.

Prava i koristi prema ovom jamstvu su dodatak vašim zakonskim pravima, na koja ovo jamstvo ne utječe. Isključivo tvrtka Jarden Consumer Solutions (Europe) Ltd. („JCS (Europe)“) ima pravo promijeniti ove odredbe.

JCS (Europe) obvezuje se da će unutar jamstvenog razdoblja besplatno popraviti ili zamijeniti uređaj ili bilo koji dio uređaja za koji se utvrdi da ne funkcionira pravilno, pod uvjetom da:

- smijete obavijestiti mjesto kupnje ili tvrtku JCS (Europe) o problemu, i
- uređaj nije bio ni na koji način izmijenjen ili izložen oštećenju, nepravilnoj upotrebi, zloupotrebi, popravcima ili izmjenama od strane osobe koju za to nije ovlastila tvrtka JCS (Europe).

Neispravnosti koje su nastale uslijed nepravilne upotrebe, oštećivanja, zloupotrebe, upotrebe uz nepravilan napon, prirodnih pojava, događaja izvan kontrole tvrtke JCS (Europe), popravaka ili izmjena od strane osobe koju za to nije ovlastila tvrtka JCS (Europe) ili nepridržavanja uputa za korištenje, nisu pokrivena ovim jamstvom. Dodatno, uobičajeno habanje i trošenje uključujući, ali se ne ograničavajući na, manje promjene u boji ili ogrebotine, nije pokriveno ovim jamstvom.

Prava prema ovom jamstvu primjenjiva su isključivo za izvornog kupca i neće se prenositi na komercijalnu ili komunalnu upotrebu.

Ako vaš uređaj sadrži jamstvo specifično za državu, pogledajte odredbe i uvjete takvog jamstva umjesto ovog jamstva ili kontaktirajte svog ovlaštenog lokalnog prodavača radi dodatnih informacija.

Otpadni električni proizvodi ne smiju se odbacivati kao uobičajeni otpad iz kućanstva. Reciklirajte na mjestima postojećih ustanova. Za dodatne informacije o recikliranju i WEEE informacijama pošaljite nam e-poštu na enquiriesEurope@jardencs.com.

Jarden Consumer Solutions (Europe) Limited
5400 Lakeside
Cheadle Royal Business Park
Cheadle
SK8 3GQ
United Kingdom



ΕΛΛΗΝΙΚΑ

ΣΗΜΑΝΤΙΚΕΣ ΠΡΟΦΥΛΑΞΕΙΣ

Διαβάστε Όλες Τις Οδηγίες Πριν Τη Χρήση. Φυλάξτε Αυτές Τις Οδηγίες

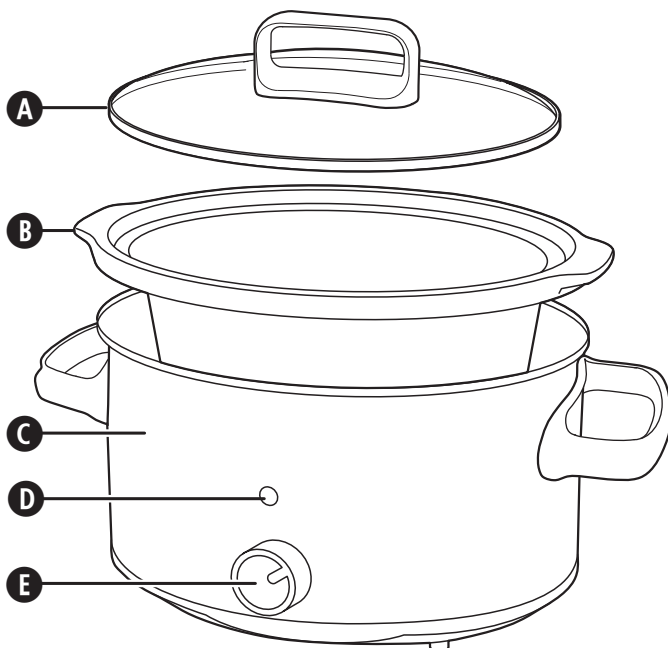
Η συσκευή αυτή μπορεί να χρησιμοποιηθεί από παιδιά 8 ετών και άνω και από άτομα με μειωμένες σωματικές, αισθητήριες ή διανοητικές ικανότητες ή έλλειψη εμπειρίας και γνώσης, εφόσον επιτηρούνται ή έχουν λάβει οδηγίες για ασφαλή χρήση της συσκευής και έχουν επίγνωση των κινδύνων που ενέχονται. Μην αφήνετε τα παιδιά να παίζουν με τη συσκευή. Ο καθαρισμός και η συντήρηση χρήστη δεν πρέπει να γίνονται από παιδιά εκτός εάν είναι μεγαλύτερα από 8 ετών και επιτηρούνται. Κρατήστε τη συσκευή και το καλώδιό της μακριά από παιδιά ηλικίας κάτω των 8 ετών.

⚠ Μέρη της συσκευής είναι πιθανό να καίνε κατά τη διάρκεια της χρήσης.

Αν το καλώδιο παροχής έχει φθαρεί, πρέπει να αντικατασταθεί από τον κατασκευαστή, τον αντιπρόσωπο σέρβις ή παρόμοια καταρτισμένα άτομα για την αποφυγή κινδύνου.

Μην χρησιμοποιείτε ποτέ αυτή τη συσκευή για οτιδήποτε άλλο εκτός από την προβλεπόμενη χρήση της. Η συσκευή αυτή είναι μόνο για οικιακή χρήση. Μην χρησιμοποιείτε τη συσκευή σε εξωτερικό χώρο.

- Η συσκευή εκπέμπει θερμότητα κατά τη χρήση. Πρέπει να λαμβάνονται επαρκείς προφυλάξεις για την αποφυγή καψίματος, εγκαύματος, φωτιάς ή άλλης βλάβης στα άτομα ή την περιουσία, αγγίζοντας το εξωτερικό όσο βρίσκεται σε χρήση ή όσο παγώνει.
- Να βεβαιώνετε πάντα ότι τα χέρια είναι στεγνά πριν πιάσετε το βύσμα ή βάλετε σε λειτουργία τη συσκευή.
- Να χρησιμοποιείτε πάντα τη συσκευή σε σταθερή, ασφαλή, στεγνή και επίπεδη επιφάνεια.
- Η συσκευή αυτή δεν πρέπει να τοποθετείται πάνω ή κοντά σε οποιαδήποτε δυνητικά ζεστή επιφάνεια (όπως για παράδειγμα ένα μάτι γκαζιού ή ηλεκτρικό μάτι).
- Μην χρησιμοποιείτε τη συσκευή αν έχει πέσει, αν υπάρχουν εμφανή σημάδια φθοράς ή αν έχει διαρροή.
- Βεβαιωθείτε ότι η συσκευή είναι απενεργοποιημένη και ότι το βύσμα έχει αφαιρεθεί από την πρίζα μετά τη χρήση, πριν τον καθαρισμό.
- Αφήνετε πάντα τη συσκευή να παγώνει πριν τον καθαρισμό ή την αποθήκευση.
- Μην βυθίζετε ποτέ κάποιο μέρος της συσκευής ή το καλώδιο ρεύματος και το βύσμα στο νερό ή οποιοδήποτε άλλο υγρό.
- Μην αφήνετε ποτέ το καλώδιο ρεύματος να κρέμεται από την άκρη πάγκου εργασίας, να ακουμπάει ζεστές επιφάνειες ή να έχει κόμπους, να μαγκώνεται ή να πιέζεται.
- Μην ακουμπάτε τις εξωτερικές επιφάνειες της συσκευής κατά τη διάρκεια της χρήσης καθώς μπορεί να καίνε πολύ. Χρησιμοποιείτε γάντια φούρνου ή πανί όταν αφαιρείτε το καπάκι. Προσοχή στον καπνό που διαφεύγει όταν αφαιρείτε το καπάκι.
- ΠΟΤΕ μην προσπαθήσετε να ζεσάνετε κάποιο τρόφιμο απευθείας μέσα στη μονάδα της βάσης. Χρησιμοποιείτε πάντα το αφαιρούμενο μπολ μαγειρέματος.
- Ορισμένες επιφάνειες δεν είναι σχεδιασμένες για να αντέχουν την παρατεταμένη ζέση που δημιουργείται από συγκεκριμένες συσκευές. Μην τοποθετείτε τη συσκευή πάνω σε επιφάνειες στις οποίες μπορεί να προκληθεί βλάβη από τη ζέση. Προτείνουμε να τοποθετείτε μονωτικό πατάκι ή πυροστάτη κάτω από τη συσκευή για να αποφύγετε πιθανή βλάβη στην επιφάνεια.
- Το καπάκι της συσκευής αργού μαγειρέματος είναι φτιαγμένο από γυαλί ασφαλείας. Ελέγχετε πάντα το καπάκι για σπασμένα κομμάτια, ραγίσματα ή οποιαδήποτε άλλη ζημιά. Μην χρησιμοποιείτε το γυάλινο καπάκι αν έχει υποστεί ζημιά γιατί μπορεί να σπάσει κατά τη χρήση.



ΜΕΡΗ

- A** Καπάκι
- B** Πήλινο μαγειρικό σκεύος
- C** Μονάδα θερμαινόμενης βάσης
- D** λυχνία ένδειξης λειτουργίας
- E** επιλογέας ρύθμισης

ΠΡΟΕΤΟΙΜΑΣΙΑ ΓΙΑ ΧΡΗΣΗ

Πριν χρησιμοποιήσετε τη συσκευή αργού μαγειρέματος Crock-Pot®, βγάλτε όλα τα τμήματα της συσκευασίας και πλύντε το καπάκι και το πήλινο σκεύος σε ζεστό νερό με σαπουνάδα και στεγνώστε τα καλά. ΠΡΟΣΟΧΗ: Μην βυθίζετε ποτέ τη θερμαινόμενη βάση, το καλώδιο ρεύματος ή το βύσμα στο νερό ή οποιοδήποτε άλλο υγρό.

ΣΗΜΑΝΤΙΚΕΣ ΣΗΜΕΙΩΣΕΙΣ: Ορισμένοι πάγκοι εργασίας και επιφάνειες τραπέζιων δεν έχουν σχεδιαστεί για να αντέχουν την παρατεταμένη ζέση που δημιουργείται από συγκεκριμένες συσκευές. Μην τοποθετείτε τη θερμαινόμενη μονάδα σε μια επιφάνεια ευαίσθητη στη θερμότητα. Συνιστούμε να τοποθετείτε μονωτικό πατάκι ή πυροστάτη κάτω από τη συσκευή αργού μαγειρέματος για να αποφύγετε πιθανή βλάβη στην επιφάνεια.

Να είστε προσεκτικοί όταν τοποθετείτε το πήλινο σκεύος πάνω σε ηλεκτρική κουζίνα με κεραμικές ή γυάλινες εστίες, σε πάγκο εργασίας, τραπέζι ή άλλη επιφάνεια. Λόγω της φύσης του πήλινου σκεύους, αν δεν προσέξετε, η άγρια επιφάνεια του πάτου μπορεί να γδάρει κάποιες επιφάνειες. Να τοποθετείτε πάντα προστατευτικό πατάκι κάτω από το πήλινο σκεύος πριν το τοποθετήσετε πάνω σε τραπέζι ή πάγκο εργασίας.

Κατά την αρχική χρήση αυτής της συσκευής, μπορεί να εντοπίσετε λίγο καπνό ή/και ελαφριά μυρωδιά. Είναι φυσιολογικό για πολλές συσκευές θέρμανσης και δεν θα συμβεί μετά από λίγες χρήσεις.

ΠΩΣ ΝΑ ΧΡΗΣΙΜΟΠΟΙΕΙΤΕ

1. Τοποθετήστε το πήλινο σκεύος στη θερμαινόμενη βάση, προσθέστε τα συστατικά στο πήλινο σκεύος και καλύψτε το με το καπάκι.
2. Βάλτε στην πρίζα τη συσκευή αργού μαγειρέματος και γυρίστε τον επιλογέα ρύθμισης στην υψηλή (III) ή τη χαμηλή (II) θερμοκρασία μαγειρέματος.
ΣΗΜΕΙΩΣΗ: Η ρύθμιση ΖΕΣΤΟ (III) χρησιμοποιείται ΜΟΝΟ για να διατηρείται ζεστό το ήδη μαγειρεμένο φαγητό. ΜΗΝ μαγειρεύετε στη ρύθμιση ΖΕΣΤΟ. Δεν προτείνουμε να χρησιμοποιείτε τη ρύθμιση ΖΕΣΤΟ για περισσότερες από 4 ώρες.
3. Όταν τελειώσετε το μαγείρεμα, αποσυνδέστε τη συσκευή αργού μαγειρέματος και αφήστε τη να κρυώσει πριν την καθαρίσετε.

ΣΗΜΕΙΩΣΕΙΣ ΧΡΗΣΗΣ

- Αν το επιθυμείτε, μπορείτε να γυρίσετε χειροκίνητα στη ρύθμιση ΖΕΣΤΟ (III), μόλις τελειώσει το μαγείρεμα.
- Για να αποφεύγετε το υπερβολικό ή το ανεπαρκές μαγείρεμα, να γεμίζετε πάντα το πήλινο σκεύος κατά $\frac{1}{2}$ με $\frac{3}{4}$ και να ακολουθείτε τους προτεινόμενους χρόνους μαγειρέματος.
- Μην γεμίζετε πολύ το πήλινο σκεύος. Για να αποφεύγετε το ξεχείλισμα, μην γεμίζετε το πήλινο σκεύος πάνω από τα $\frac{3}{4}$.
- Μαγειρεύετε πάντα με το καπάκι κατά τον προτεινόμενο χρόνο. Μην αφαιρείτε το καπάκι κατά τη διάρκεια των δύο πρώτων ωρών μαγειρέματος για να αφήσετε τη θερμοκρασία να ανέβει με αποτελεσματικό τρόπο.
- Φοράτε πάντα γάντια φούρνου όταν αγγίζετε το καπάκι ή το πήλινο σκεύος.
- Βγάλτε την πρίζα όταν τελειώσει το μαγείρεμα και πριν τον καθαρισμό.
- Το αφαιρούμενο πήλινο σκεύος και το καπάκι αντέχει στο φούρνο. Μην χρησιμοποιείτε το αφαιρούμενο πήλινο σκεύος σε εστίες υγραερίου, ηλεκτρικές εστίες ή κάτω από γκριλ.

ΙΔΕΕΣ ΚΑΙ ΣΥΜΒΟΥΛΕΣ ΜΑΓΕΙΡΕΜΑΤΟΣ

- Κόψτε τα λίπη και σκουπίστε καλά το κρέας για να απομακρυνθούν τα υπολείμματα. (Αν το κρέας έχει λίπη. Σοτάρτε στο μαγειρικό σκεύος και αφήστε το να στραγγίξει καλά). Ρίξτε αλάτι και πιπέρι. Τοποθετήστε το κρέας στο μαγειρικό σκεύος πάνω από τα λαχανικά.
- Για ψητά και εντράδες, ρίξτε υγρό πάνω από το κρέας. Μην χρησιμοποιείτε παραπάνω υγρά από ό,τι αναφέρει η συνταγή. Κατά τη διάρκεια του αργού μαγειρέματος στο κρέας και τα λαχανικά παρακρατούνται περισσότεροι χυμοί, συγκριτικά με το συμβατικό μαγείρεμα.
- Τα περισσότερα λαχανικά θα πρέπει να κόβονται σε λεπτά κομμάτια ή να τοποθετούνται κοντά στις άκρες ή τον πάτο του πήλινου μαγειρικού σκεύος. Σε μια συσκευή αργού μαγειρέματος το κρέας γενικά μαγειρεύεται γρηγορότερα συγκριτικά με τα περισσότερα λαχανικά.
- Χρησιμοποιείτε ολόκληρα φύλλα μυρωδικών και μπαχαρικών για την καλύτερη και πιο γεμάτη γεύση και άρωμα της μεθόδου αργού μαγειρέματος.
- Επειδή δεν υπάρχει απευθείας ζέστη στον πάτο, να γεμίζετε πάντα το πήλινο μαγειρικό σκεύος τουλάχιστον ως τη μέση, για να υπάρχει συμμόρφωση με τους προτεινόμενους χρόνους. Μπορείτε να ετοιμάσετε μικρές ποσότητες, αλλά αυτό μπορεί να επηρεάσει τους χρόνους μαγειρέματος.
- Συγκεκριμένη ποσότητα υγρού που απαιτείται για μια συνταγή μπορεί να διαφέρει αν αντικατασταθεί αντίστοιχη ποσότητα. Για παράδειγμα, η αντικατάσταση μιας κονσέρβας σούπας με μια κονσέρβα ντομάτας ή η αντικατάσταση 1 φλιτζανιού ζωμού από μοσχάρι ή κοτόπουλο με 1 φλιτζάνι κρασί.
- Τα φασόλια πρέπει να έχουν μαλακώσει τελείως πριν τα συνδυάσετε με ζάχαρη ή/και όξινες τροφές. (ΣΗΜΕΙΩΣΗ: Η ζάχαρη και τα όξινα σκληραίνουν τα φασόλια και δεν τα αφήνουν να μαλακώσουν.)

ΟΔΗΓΟΣ ΠΡΟΣΑΡΜΟΓΗΣ ΣΥΝΤΑΓΩΝ

Ο οδηγός αυτός σχεδιάστηκε για να σας βοηθήσει στην προσαρμογή των δικών σας και άλλων συνταγών στη συσκευή αργού μαγειρέματος. Πολλά από τα συνηθισμένα βήματα προετοιμασίας δεν είναι απαραίτητα όταν χρησιμοποιείτε τη συσκευή αργού μαγειρέματος. Στις περισσότερες περιπτώσεις, όλα τα υλικά μπορούν να μπουν απευθείας στη συσκευή αργού μαγειρέματος και να μαγειρευτούν όλη μέρα. Γενικά:

- Αφήστε επαρκή χρόνο μαγειρέματος.
- Μαγειρεύετε με το καπάκι.
- Για βέλτιστα αποτελέσματα και για να αποφεύγετε το στέγνωμα ή το κάψιμο του φαγητού, να βεβαιώνετε πάντα ότι η συνταγή χρησιμοποιεί επαρκή ποσότητα υγρών.
- Μπορεί να δίνεται η εντύπωση ότι οι συνταγές μας περιέχουν μικρή μόνο ποσότητα υγρών, αλλά η διαδικασία αργού μαγειρέματος διαφέρει από άλλες μεθόδους μαγειρέματος στο ότι τα υγρά που προστίθενται στη συνταγή σχεδόν θα διπλασιαστούν κατά τη διάρκεια του χρόνου μαγειρέματος. Έτσι αν προσαρμόζετε κάποια συνταγή για τη συσκευή αργού μαγειρέματος, μειώστε την ποσότητα των υγρών πριν το μαγείρεμα.

ΧΡΟΝΟΣ ΜΑΓΕΙΡΕΜΑΤΟΣ	ΜΑΓΕΙΡΕΜΑ ΣΤΟ ΧΑΜΗΛΟ	ΜΑΓΕΙΡΕΜΑ ΣΤΟ ΥΨΗΛΟ
15 με 30 λεπτά	4 με 6 ώρες	1½ με 2 ώρες
30 με 45 λεπτά	6 με 10 ώρες	3 με 4 ώρες
50 λεπτά με 3 ώρες	8 με 10 ώρες	4 με 6 ώρες

ΜΑΚΑΡΟΝΙΑ ΚΑΙ ΡΥΖΙ:

- Για βέλτιστα αποτελέσματα, χρησιμοποιείτε μακρύκοκκο ρύζι εκτός και αν η συνταγή λέει κάτι διαφορετικό. Αν το ρύζι δεν έχει βράσει τελείως μετά τον ενδεδειγμένο χρόνο, προσθέστε ακόμα 1 με 1½ φλιτζάνι υγρού επιπλέον ανά φλιτζάνι μαγειρεμένου ρυζιού και συνεχίστε το βράσιμο για 20 με 30 λεπτά.
- Για βέλτιστα αποτελέσματα στα μακαρόνια, αρχικά βράστε μερικώς τα μακαρόνια σε βραστό νερό μέχρι να μαλακώσουν. Προσθέστε τα μακαρόνια τα τελευταία 30 λεπτά του χρόνου μαγειρέματος.

ΦΑΣΟΛΙΑ:

- Τα φασόλια πρέπει να έχουν μαλακώσει τελείως πριν τα συνδυάσετε με ζαχαρή ή/και όζινες τροφές. Η ζαχαρή και τα οξέα σκληραίνουν τα φασόλια και δεν τα αφήνουν να μαλακώσουν.
- Τα ξερά φασόλια, ιδιαίτερα τα κόκκινα φασόλια, θα πρέπει να τα βράζετε πριν τα προσθέσετε σε κάποια συνταγή.
- Τα πλήρως μαγειρεμένα φασόλια κονσέρβας μπορούν να χρησιμοποιηθούν ως υποκατάστατο, αντί για ξερά φασόλια.

ΛΑΧΑΝΙΚΑ:

- Πολλά λαχανικά επωφελούνται από το αργό μαγείρεμα και μπορούν να ξεδιπλώσουν την πλήρη γεύση τους. Συνήθως δεν παραβράζουν στη συσκευή αργού μαγειρέματος όπως μπορεί να συμβαίνει στο φούρνο ή τις εστίες σας.
- Όταν ακολουθείτε συνταγές με λαχανικά και κρέας, τοποθετήστε τα λαχανικά στη συσκευή αργού μαγειρέματος πριν το κρέας. Τα λαχανικά συνήθως ψήνονται πιο αργά από το κρέας στη συσκευή αργού μαγειρέματος και επωφελούνται από την τμηματική τους βύθιση στο ζωμό μαγειρέματος.
- Τοποθετήστε τα λαχανικά κοντά τον πάτο του μπολ μαγειρέματος για να βοηθήσετε το μαγείρεμα.

ΜΥΡΩΔΙΚΑ ΚΑΙ ΜΠΑΧΑΡΙΚΑ:

- Τα φρέσκα μυρωδικά δίνουν γεύση και χρώμα, αλλά θα πρέπει να προστίθενται στο τέλος του κύκλου μαγειρέματος καθώς η γεύση θα εξαφανιστεί με τους παρατεταμένους χρόνους μαγειρέματος.
- Τριμμένα ή/και αποξηραμένα μυρωδικά και μπαχαρικά έχουν καλό αποτέλεσμα στο αργό μαγείρεμα και μπορείτε να τα προσθέσετε στην αρχή.
- Η δύναμη της γεύσης των μυρωδικών και των μπαχαρικών μπορεί να διαφέρει σημαντικά ανάλογα με την ειδική τους δύναμη και τη διάρκεια ζωής τους. Χρησιμοποιήστε μυρωδικά σποραδικά, δοκιμάστε στο τέλος του κύκλου μαγειρέματος και προσαρμόστε τα καρυκεύματα αμέσως πριν το σεβρίσμα.

ΓΑΛΑ:

- Το γάλα, η κρέμα γάλακτος και η ξινή κρέμα κόβουν κατά τη διάρκεια του παρατεταμένου μαγειρέματος. Όταν είναι εφικτό, προσθέστε κατά τα τελευταία 15 έως και 30 λεπτά μαγειρέματος.
- Οι συμπυκνωμένες σούπες μπορούν να αντικαταστήσουν το γάλα να μαγειρευτούν για παρατεταμένο χρόνο.

ΚΡΕΑΣ:

- Κόψτε το λίπος, ξεβγάλετε καλά και σκουπίστε το κρέας με χαρτί κουζίνας.
- Το τσιγάρισμα του κρέατος από πριν δίνει τη δυνατότητα στο λίπος να στραγγίξει πριν το αργό μαγείρεμα και δίνει ακόμα μεγαλύτερη ένταση στη γεύση.
- Το κρέας θα πρέπει να τοποθετείται με τρόπο που να ακουμπάει το μπολ μαγειρέματος χωρίς να αγγίζει το καπάκι.
- Για μικρότερα ή μεγαλύτερα κομμάτια κρέατος, τροποποιείστε την ποσότητα λαχανικών ή πατάτας έτσι ώστε το μπολ να είναι πάντα γεμάτο στο ½ με ¾.
- Το μέγεθος που έχει το κρέας και οι προτεινόμενοι χρόνοι μαγειρέματος είναι απλά εκτιμήσεις και μπορούν να ποικίλουν ανάλογα με το συγκεκριμένο κόψιμο, είδος και σχήμα του κόκαλου. Απαχο κρέας όπως αυτό του κοτόπουλου ή του χοιρινού φιλέτου συνήθως μαγειρεύονται πιο γρήγορα από τα κρέατα με περισσότερους συνδετικούς ιστούς και λίπος όπως η μοσχαρίσια στάλα ή η χοιρινή ωμοπλάτη. Το μαγείρεμα του κρέατος με το κόκαλο σε αντίθεση με το κρέας χωρίς το κόκαλο θα αυξήσει τον απαιτούμενο χρόνο μαγειρέματος.
- Κόψτε το κρέας σε μικρότερα κομμάτια όταν μαγειρεύετε με προμαγειρεμένα τρόφιμα όπως φασόλια ή φρούτα, ή ελαφριά λαχανικά όπως είναι τα μανιτάρια, το κομμένο κρεμμύδι, η μελιτζάνα ή τα ψιλοκομμένα λαχανικά. Αυτό δίνει τη δυνατότητα σε όλα τα τρόφιμα να μαγειρευτούν με τον ίδιο ρυθμό.

ΨΑΡΙ:

- Το ψάρι μαγειρεύεται γρήγορα και θα πρέπει να προστίθεται στο τέλος του κύκλου μαγειρέματος κατά τη διάρκεια των τελευταίων δεκαπέντε λεπτών έως και της τελευταίας ώρας μαγειρέματος.

ΚΑΘΑΡΙΣΜΟΣ

Να αποσυνδέετε ΠΑΝΤΑ τη συσκευή αργού μαγειρέματος από την ηλεκτρική πρίζα και να την αφήνετε να κρύνει πριν την καθαρίσετε.

ΠΡΟΣΟΧΗ: Μην βυθίζετε ποτέ τη θερμαινόμενη βάση, το καλώδιο ρεύματος ή το βύσμα στο νερό ή οποιοδήποτε άλλο υγρό.

Μπορείτε να πλύνετε το καπάκι και το πήλινο σκεύος στο πλυντήριο πιάτων ή σε ζεστό νερό με σαπουνάδα. Μην χρησιμοποιείτε συνθετικά διαβρωτικά καθαριστικά ή συρμάτινα σφουγγαράκια. Συνήθως μπορείτε να αφαιρέσετε τα υπολείμματα φαγητού με πανί, σφουγγάρι ή πλαστική σπάτουλα. Για να αφαιρέσετε στάμπες νερού και άλλους λεκέδες, χρησιμοποιήστε μη διαβρωτικό καθαριστικό ή ξύδι.

Όπως συμβαίνει με οποιοδήποτε καλό κεραμικό σκεύος, το πήλινο σκεύος και το καπάκι δεν θα αντέξουν ξαφνικές αλλαγές θερμοκρασίας. Μην πλένετε το πήλινο σκεύος ή το καπάκι με κρύο νερό όταν καίνε.

Μπορείτε να καθαρίσετε το εξωτερικό μέρος της θερμαινόμενης βάσης με μαλακό πανί και ζεστό νερό με σαπουνάδα. Σκουπίστε τα μέχρι να στεγνώσουν. Μην χρησιμοποιείτε διαβρωτικά καθαριστικά.

Δεν πρέπει να γίνεται κάποια άλλη συντήρηση.

ΣΗΜΕΙΩΣΗ: Αφού καθαρίσετε το πήλινο σκεύος με τα χέρια σας, αφήστε το στον αέρα να στεγνώσει πριν το αποθηκεύσετε.

ΕΓΓΥΗΣΗ

Φυλάξτε την απόδειξή σας διότι θα χρειαστεί για οποιεσδήποτε αξιώσεις τεθούν υπό το πλαίσιο της παρούσας εγγύησης.

Το προϊόν διαθέτει εγγύηση 2 ετών από την ημερομηνία αγοράς με τον τρόπο που περιγράφεται στο παρόν έγγραφο.

Στην απίθανη περίπτωση που κατά τη διάρκεια της περιόδου εγγύησης διακοπεί η λειτουργία της συσκευής εξαιτίας σφάλματος σχεδιασμού ή κατασκευής, παρακαλείστε να την επιστρέψετε στο κατάστημα αγοράς μαζί με την απόδειξη αγοράς και ένα αντίγραφο της παρούσας εγγύησης.

Τα δικαιώματα και οφέλη υπό το πλαίσιο αυτής της εγγύησης είναι επιπρόσθετα των νομίμων δικαιωμάτων σας, τα οποία δεν επηρεάζονται από την παρούσα εγγύηση. Μόνο η εταιρεία JCS (Europe) Products (Ευρώπη) Ltd. ("JCS (Europe)") έχει δικαίωμα να προβαίνει σε αλλαγές των όρων αυτών.

Η εταιρεία JCS (Europe) αναλαμβάνει εντός της εγγυητικής περιόδου να επισκευάσει ή αντικαταστήσει τη συσκευή, ή οποιοδήποτε εξάρτημά της διαπιστωθεί ότι δεν λειτουργεί σωστά, χωρίς χρέωση, υπό τον όρο ότι:

- Θα ενημερώσετε άμεσα τον αρμόδιο στο κατάστημα αγοράς ή στην εταιρεία JCS (Europe) σχετικά με το πρόβλημα και
- η συσκευή δεν έχει τροποποιηθεί με κανένα τρόπο ή δεν έχει υποστεί βλάβη, κακή χρήση, κατάχρηση, επισκευή ή τροποποίηση από άτομο που δεν είναι εξουσιοδοτημένο από την εταιρεία JCS (Europe).

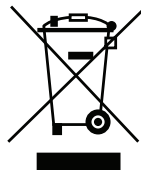
Βλάβες που οφείλονται σε ακατάλληλη χρήση, ζημιά, κατάχρηση, χρήση με λανθασμένη τάση ρεύματος, φυσικά φαινόμενα, γεγονότα που υπερβαίνουν τον έλεγχο της εταιρείας JCS (Europe), επισκευή ή τροποποίηση από άτομο που δεν είναι εξουσιοδοτημένο από την εταιρεία JCS (Europe) ή παράλειψη τήρησης των οδηγιών χρήσης δεν καλύπτονται από την παρούσα εγγύηση. Επιπλέον, η φυσιολογική φθορά, συμπεριλαμβανόμενος χωρίς περιορισμό ελάχιστο αποχρωματισμό ή αμυξές, δεν καλύπτεται από την παρούσα εγγύηση.

Τα δικαιώματα υπό το πλαίσιο της παρούσας εγγύησης θα ισχύουν μόνο για τον αρχικό αγοραστή και δεν μπορούν να επεκταθούν για εμπορική ή δημόσια χρήση.

Εάν η συσκευή σας περιλαμβάνει εγγύηση ή προσθήκη εγγύησης ειδικά για κάθε χώρα, ανατρέξτε στους όρους και τις προϋποθέσεις αυτής της εγγύησης ή της προσθήκης εγγύησης αντί της παρούσας ή επικοινωνήστε με τον τοπικό εξουσιοδοτημένο αντιπρόσωπο για περισσότερες πληροφορίες.

Απόβλητα ηλεκτρικών προϊόντων δεν θα πρέπει να απορρίπτονται με τα οικιακά απορρίμματα. Παρακαλώ κάντε ανακύκλωση όταν υπάρχουν εγκαταστάσεις. Στείλτε μας e-mail στη διεύθυνση enquiries@jardencs.com για περισσότερες πληροφορίες ανακύκλωσης και πληροφορίες για τα απόβλητα ηλεκτρικού και ηλεκτρονικού εξοπλισμού.

Jarden Consumer Solutions (Europe) Limited
5400 Lakeside
Cheadle Royal Business Park
Cheadle
SK8 3GQ
United Kingdom



РУССКИЙ

НЕОБХОДИМЫЕ МЕРЫ БЕЗОПАСНОСТИ

ПЕРЕД ИСПОЛЬЗОВАНИЕМ ПОЛНОСТЬЮ ПРОЧТИТЕ РУКОВОДСТВО

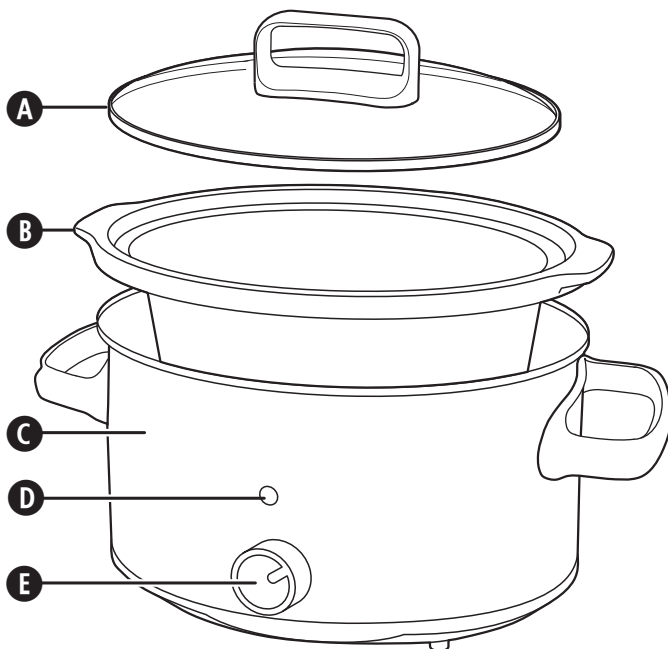
Это устройство может использоваться детьми в возрасте от 8 лет и старше, а также людьми с ограниченными физическими возможностями, с нарушениями сенсорных или умственных способностей, а также лицами, не обладающими надлежащим опытом и знаниями при условии, если они осуществляют использование устройства под надзором или получили необходимые инструкции по использованию устройства безопасным способом и осознают вероятные опасности. Дети не должны играть с этим устройством. Дети могут осуществлять очистку или обслуживание устройства только при условии достижения возраста 8 лет и при надлежащем надзоре. Храните устройство и кабель питания в местах, недоступных для детей в возрасте менее 8 лет.

⚠ Компоненты устройства нагреваются в процессе использования.

Если кабель питания поврежден, замена кабеля должна быть произведена производителем, агентом по обслуживанию или подобным квалифицированным лицом, что позволит избежать опасных ситуаций.

Никогда не используйте устройство для любых иных целей. Это устройство предназначено только для использования в домашних условиях. Не используйте устройство вне помещений.

- В процессе использования это устройство вырабатывает тепло. Необходимо предпринять соответствующие меры, чтобы не коснуться устройства в процессе работы и предотвратить ожоги, не обвариться, избежать возгорания и другого вероятного ущерба для людей или имущества.
- Перед тем, как взяться на вилку кабеля или включить выключатель питания устройства, удостоверьтесь в том, что у Вас сухие руки.
- Всегда используйте устройство, разместив его на устойчивой, надежной, сухой и ровной поверхности.
- Это устройство нельзя размещать на или возле нагреваемых поверхностей (например, на газовой или электроплите).
- Не используйте устройство, если оно падало, и на нем имеются видимые повреждения, или оно протекает.
- После использования перед очисткой необходимо выключить питание устройства и вынуть кабель питания из электросети.
- Перед очисткой или размещением для хранения дайте устройству остыть.
- Никогда не погружайте никакую часть устройства или кабель питания и вилку кабеля в воду или другую жидкость.
- Не допускайте провисание кабеля питания над краем рабочего стола, кабель не должен касаться горячих поверхностей, а также не допускайте сворачивание, зажимы или задиры на кабеле.
- Не касайтесь внешних поверхностей мультиварки во время использования, они могут сильно нагреваться. Пользуйтесь кухонными рукавицами или полотенцем, когда снимаете крышку. Остерегайтесь ожога паром.
- НИКОГДА не разогревайте продукты внутри блока нагрева. Всегда используйте съемную чашу.
- Некоторые поверхности не выдерживают длительного воздействия тепла, выделяемого электроприборами. Не ставьте мультиварку на поверхность, которая может быть повреждена от перегрева. Рекомендуется ставить мультиварку на термический коврик или подставку во избежание повреждения поверхностей.
- Крышка мультиварки выполнена из закаленного стекла. Всегда проверяйте, нет ли на крышке сколов, трещин или иных повреждений. Не используйте поврежденную крышку, потому что в процессе использования она может разрушиться на мелкие части.



КОМПОНЕНТЫ

- A** Крышка
- B** Керамическая чаша
- C** Блок нагрева
- D** Индикатор питания
- E** Переключатель настроек

ПОДГОТОВКА ДЛЯ ИСПОЛЬЗОВАНИЯ

Перед использованием мультиварки CrockPot® снимите упаковку и промойте крышку и керамическую чашу в теплой мыльной воде и вытрите насухо. **ОСТОРОЖНО:** никогда не погружайте блок нагрева, кабель или вилку кабеля в воду или иную жидкость.

ОБРАТИТЕ ВНИМАНИЕ: Некоторые столешницы и рабочие поверхности столов не выдерживают длительного воздействия тепла, выделяемого нагревающимися приборами. Не ставьте блок нагрева на поверхность, которая может быть повреждена в результате нагрева. Во избежание повреждения поверхностей мы рекомендуем поместить мультиварку на изолирующий коврик или подставку.

Будьте аккуратны, помещая керамическую чашу на стеклокерамическую плиту, столешницу, стол или иную поверхность. Покрытие керамической посуды достаточно шероховатое, и это может привести к царапинам на других поверхностях. Прежде, чем поставить керамическую посуду на стол или столешницу, положите для защиты подставку или матерчатое полотенце.

Во время первого использования может появиться небольшое количество дыма и/или специфический запах. Это часто случается во время первого использования нагревательных приборов и не повторяется после нескольких применений.

КАК ИСПОЛЬЗОВАТЬ МУЛЬТИВАРКУ

1. Установите чашу в блок нагрева. Наполните чашу ингредиентами и закройте чашу крышкой.
2. Подключите кабель питания мультиварки к сети и установите переключатель настроек в следующее положение: высокая температура (HI) или низкая температура (LO).
Обратите внимание: теплая температура (WARM) используется ТОЛЬКО для поддержания теплой температуры только что приготовленного блюда. НЕ ИСПОЛЬЗУЙТЕ этот режим для приготовления. Мы не рекомендуем использовать этот режим более 4 часов.
3. После завершения работы выньте кабель питания мультиварки из розетки и дайте ей остыть перед очисткой.

РЕКОМЕНДАЦИИ ПО ИСПОЛЬЗОВАНИЮ

- При необходимости, когда процесс приготовления завершен, Вы можете вручную переключить на режим подогрева WARM.
- Чтобы избежать недоваривания или переваривания всегда заполняйте чашу на $\frac{1}{2}$ - $\frac{3}{4}$ объема и следуйте времени, рекомендованному для приготовления согласно рецепту.
- Не переполняйте чашу. Чтобы избежать переливания через край, не наполняйте чашу более $\frac{3}{4}$ объема.
- Всегда устанавливайте крышку и следуйте рекомендуемому для приготовления времени. Не снимайте крышку в течение первых двух часов приготовления, что позволит обеспечить требуемый нагрев.
- Для работы с крышкой и чашей всегда используйте кухонные перчатки.
- После завершения работы мультиварки и перед ее очисткой отключайте кабель питания.
- Съемная керамическая чаша и крышка могут использоваться в духовке. Не ставьте чашу на газовую плиту или электроплиту, а также не помещайте ее в гриль.

ПОЛЕЗНЫЕ РЕКОМЕНДАЦИИ И СОВЕТЫ

- Удаляйте с мяса жир и тщательно промывайте мясо перед приготовлением. (Если мясо содержит жир. Дайте мясу подрумяниться на сковороде и удалите жиры). Добавьте соль и перец. Уложите мясо в чаше поверх овощей.
- Если Вы готовите тушеное мясо, добавьте поверх мяса жидкость. Не добавляйте жидкости сверх указанного в рецепте. В процессе медленного тушения по сравнению с обычным тушением мясо и овощи выделяют больше жидкости.
- Большую часть овощей следует нарезать тонкими ломтиками или разместить вдоль стенок и на дне чаши. В мультиварке мясо, как правило, готовится быстрее чем большинство овощей.
- Для приготовления в мультиварке рекомендуется использовать целые листья и стебли трав, что сделает блюдо более насыщенным ароматами трав.
- Чаша не нагревается со дна, поэтому всегда наполняйте чашу не менее чем на половину и следуйте рекомендуемым временным срокам приготовления. В мультиварке можно готовить пищу в малых объемах, но для малого объема изменится время приготовления.
- Жидкость, необходимая согласно рецепту, может быть заменена другой жидкостью соответствующего объема. Например, банку супа можно заменить такой же банкой томатов, или 1 чашка говяжьего или куриного бульона может быть заменена 1 чашкой вина.
- Фасоль должна быть сварена до мягкого состояния перед добавлением сахара и/или кислых продуктов. (ОБРАТИТЕ ВНИМАНИЕ: если этого не сделать, из-за сахара и кислоты фасоль останется твердой).

РУКОВОДСТВО ДЛЯ АДАПТИРОВАНИЯ РЕЦЕПТОВ

Это руководство поможет Вам адаптировать Ваши собственные и другие рецепты для приготовления еды с помощью мультиварки. Если Вы используете мультиварку, многие из обычных подготовительных шагов становятся ненужными. В большинстве случаев все ингредиенты можно вместе загрузить в мультиварку, а процесс приготовления будет идти весь день.

- Используйте достаточное время для приготовления.
- Всегда осуществляйте процесс готовки с установленной крышкой.
- Чтобы блюдо получилось вкусным, не высухло и не пригорело, необходимо использовать достаточное количество жидкости во время приготовления.
- Вам может показаться, что в рецептах мы рекомендуем использовать недостаточное количество жидкости. Этому есть объяснение. Дело в том, что в процессе медленного приготовления количество добавленной жидкости увеличивается почти вдвое. В этом состоит отличие этого метода от других методов приготовления. Пожалуйста, уменьшите количество жидкости, если вы готовите блюдо по своему рецепту.

ВРЕМЯ ПО РЕЦЕПТУ	ПРИГОТОВЛЕНИЕ НА НИЗКОЙ ТЕМПЕРАТУРЕ	ПРИГОТОВЛЕНИЕ НА ВЫСОКОЙ ТЕМПЕРАТУРЕ
от 15 до 30 минут	от 4 до 6 часов	от 1½ до 2 часов
от 30 до 45 минут	от 6 до 10 часов	от 3 до 4 часов
от 50 минут до 3 часов	от 8 до 10 часов	от 4 до 6 часов

МАКАРОННЫЕ ИЗДЕЛИЯ И РИС:

- Для того, чтобы блюдо получилось вкусным, используйте длиннозерный рис, если в рецепте не указано иначе. Если рис не готов по истечении рекомендованного время, добавьте 1 или 1 ½ чашки жидкости на чашку вареного риса и продолжайте варить в течение 20-30 минут.
- Для того, чтобы блюдо получилось вкусным, макаронные изделия следует варить до полуготовности заранее. За 30 минут до окончания времени приготовления блюда, добавьте их в мультиварку.

ФАСОЛЬ:

- Фасоль должна быть сварена до мягкого состояния перед добавлением сахара и/или кислых продуктов. Если этого не сделать, из-за сахара и кислоты фасоль останется твердой.
- Сушеную фасоль, особенно красную, следует сварить до готовности перед добавлением в мультиварку.
- Готовая консервированная фасоль может оказаться хорошей альтернативой сухой фасоли.

ОВОЩИ:

- Вкус многих овощей только выигрывает в процессе медленного приготовления, они станут ароматнее. В мультиварке овощи не пережарятся и не переварятся, как иногда случается в духовке и на плите.
- При приготовлении мясных и овощных блюд, кладите в чашу сначала овощи, а затем мясо. Овощи, как правило, готовятся медленнее мяса, будет лучше, если какая-то их часть будет находиться в бульоне.
- Кладите овощи ближе ко дну чаши, так они приготовятся лучше.

ПРЯНЫЕ ТРАВЫ И СПЕЦИИ:

- Свежие травы добавляют блюду аромат и цвет. Добавлять их следует ближе к концу приготовления, так как длительный термический процесс разрушит их аромат.
- Молотые и/или сухие травы и специи хорошо подходят для процесса медленного приготовления, их можно добавлять с самого начала.
- Пряные травы и специи весьма отличаются по силе своего аромата. Это объясняется как природными свойствами трав, так и сроком годности. Используйте травы с осторожностью. В конце кулинарного цикла следует снять пробу и, в случае необходимости, приправить блюдо непосредственно перед подачей на стол.

МОЛОКО:

- Молоко, сливки и сметана разрушаются во время продолжительной варки. По возможности, добавляйте их за 15-30 минут до окончания приготовления.
- Вместо молока можно использовать концентрированный бульон, который можно подвергать термической обработке дольше.

МЯСО:

- Обрежьте жир, хорошо промойте, и просушите бумажными полотенцами.
- Если перед использованием мультиварки Crock-Pot® Вы заранее обжарите мясо, результат будет лучше - из него выпотится лишний жир, и оно станет ароматнее.
- Мясо следует разместить в чаше таким образом, чтобы оно не касалось крышки.
- В зависимости от размера кусков мяса, добавьте или уменьшите количество овощей или картофеля так, чтобы чаша была наполнена на $\frac{1}{2}$ или $\frac{3}{4}$ своего объема.
- Рекомендованное время приготовления мяса в зависимости от размера кусков дано лишь приблизительно. Время приготовления зависит от того, как именно нарезаны куски, а также от типа мяса и структуры костей. Постное мясо, такое как курица или свиная вырезка, как правило, готовится быстрее, чем мясо с большим количеством соединительной ткани и жира, такое как говяжья шейная часть или свиная лопатка. Время на приготовление мяса на кости понадобится больше, чем на приготовление бескостного мяса.
- Разрежьте мясо на мелкие куски, если готовите блюда с прошедшими предварительную обработку продуктами, такими как фасоль, фруктами или грибами, нарезанным луком, баклажанами и другими мелко нарезанными овощами. Таким образом, все ингредиенты блюда будут готовиться с одной и той же скоростью.

РЫБА:

- Рыба готовится быстро, ее добавляют в конце кулинарного цикла, за 60-15 минут до окончания готовки.

ОЧИСТКА

Перед очисткой ВСЕГДА отсоединяйте кабель питания мультиварки от электросети. Дайте мультиварке охладиться.

ОСТОРОЖНО: никогда не погружайте блок нагрева, кабель или вилку кабеля в воду или иную жидкость.

Крышку и чашу можно мыть в посудомоечной машине или вручную, используя горячий мыльный раствор. Не используйте абразивные чистящие вещества или чистящие губки. Все остатки пищи обычно удаляются при помощи тряпки, губки или резинового шпателя. Чтобы удалить водяные и иные пятна, используйте неабразивное моющее средство или уксус.

Как любые изделия из тонкой керамики, чаша и крышка не выдерживают резких перепадов температуры. Не мойте чашу или крышку холодной водой, если они еще не остыли.

Внешнюю часть блока нагрева можно очищать при помощи мягкой ткани и теплой мыльной воды. Протрите насухо. Не используйте абразивные чистящие средства.

ПРИМЕЧАНИЕ: протрите чашу и дайте ей высохнуть. После этого ее можно убрать для хранения.

ГАРАНТИЯ

Сохраняйте квитанцию о покупке, так как она может потребоваться в случае возникновения претензий, предъявляемых в соответствии с условиями данной гарантии. На данное устройство предоставляется гарантия на 2 года после покупки, как описано в настоящем документе.

Если в течение данного гарантийного периода устройство перестанет работать вследствие дефекта конструкции или неправильного изготовления, верните его по месту покупки вместе с квитанцией о покупке и копией этой гарантии.

Права и привилегии, которыми наделяет эта гарантия, дополняют законные права потребителя, не отраженные в этой гарантии. Правом на изменение этих условий обладает только Jarden Consumer Solutions (Europe) Limited ("JCS (Europe)").

JCS (Europe) обязуется в течение установленного гарантийного периода бесплатно отремонтировать или заменить устройство или любую неисправную деталь прибора в случае дефекта при условии, что:

- Вы своевременно сообщили о проблеме по месту покупки или в компанию JCS (Europe); и
- прибор не подвергался каким-либо изменениям любым из существующих способов, а также не был приведен в негодность или в состояние, требующее ремонта, вследствие повреждения, неправильно обращения или ремонта каким-либо лицом, не уполномоченным компанией JCS (Europe);

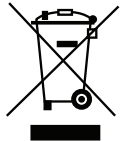
Настоящая гарантия не распространяется на неисправности, возникшие вследствие неправильного обращения, повреждения, подключения к источнику питания с несоответствующим напряжением, стихийного бедствия, событий, неконтролируемых компанией JCS (Europe), ремонтом или модификацией лицом, не являющимся уполномоченным специалистом JCS (Europe), а также несоблюдением указаний в инструкциях по эксплуатации. Кроме того, данная гарантия не распространяется на нормальный износ, включая помимо всего прочего мелкие изменения окраски и царапины.

Правами на получение данной гарантии обладает только первоначальный покупатель. Она не распространяется на использование в коммерческих или коммунальных целях.

Если для устройства прилагается гарантия для конкретной страны или гарантийный вкладыш, см. условия прилагаемой гарантии вместо настоящей гарантии или обратитесь к уполномоченному дилеру для получения дополнительных сведений.

Отработавшая срок службы электротехническая продукция не должна утилизироваться вместе с бытовыми отходами. Пожалуйста, для утилизации направьте устройство в соответствующие пункты приема. Направьте нам запрос по электронной почте enquiriesEurope@jardencs.com и мы сможем предоставить Вам дальнейшие инструкции об утилизации и информацию о директиве ЕС об отходах электрического и электронного оборудования.

Jarden Consumer Solutions (Europe) Limited
5400 Lakeside
Cheadle Royal Business Park
Cheadle
SK8 3GQ
United Kingdom



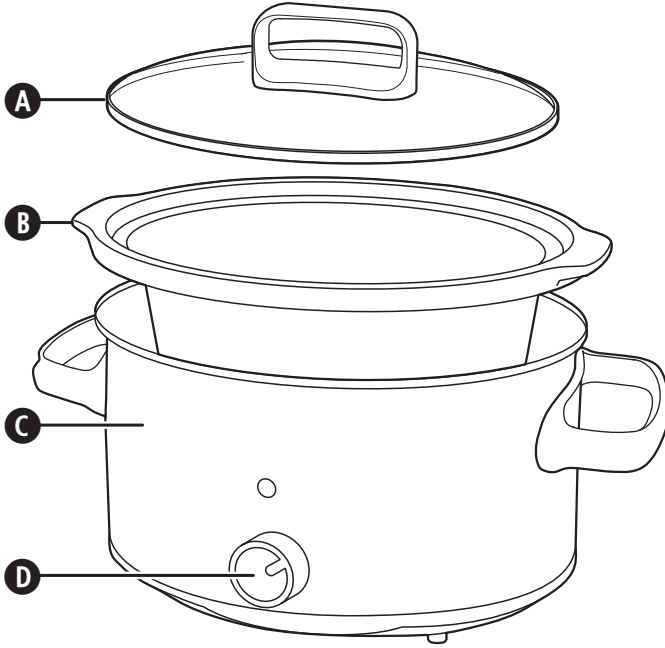
من الممكن استخدام هذا الجهاز من قبل الأطفال البالغين من العمر 8 سنوات والأكبر سناً والأشخاص الذين يعانون من نقص في قدراتهم الحسية أو العقلية أو انعدام الخبرة والمعرفة إلا إذا كان هنالك إشراف أو توجيه يتعلق باستخدام الجهاز بطريقة آمنة وفهم المخاطر المشمولة. يجب عدم عبث الأطفال بالجهاز. لا يجب إجراء أعمال الصيانة والتنظيف الخاصة بالمستخدم من قبل الأطفال إلا إذا كانوا أعمارهم تزيد عن 8 سنوات مع وجود إشراف عليهم. حافظ على الجهاز والكابل بعيداً عن متناول الأطفال الذين تقل أعمارهم عن 8 سنوات.

▲ أجزاء من هذا الجهاز قد تصبح ساخنة أثناء الاستخدام.

في حال تلف كابل الإمداد، فيجب استبداله من قبل الجهة الصانعة أو أحد وكلاء الخدمة أو الأشخاص المؤهلين بشكل مماثل لتفادي حدوث خطر.

لا تستخدم هذا الجهاز في أي شيء غير الاستخدام المخصص له. هذا الجهاز للاستخدام داخل المنزل فقط. لا تستخدم الجهاز خارج المنزل.

- هذا الجهاز يولد حرارة أثناء الاستخدام. يجب توخي مستوى كاف من الحيطة والحذر لمنع خطر التعرض للحروق، أو الاحتراق أو نشوب النيران. أو أي ضرر آخر يصيب الأشخاص أو الممتلكات يقع أثناء الاستخدام أو أثناء التبريد.
- تأكد دوماً من أن يديك جافة قبل مناولة القابس أو تشغيل الجهاز.
- استخدم دوماً الجهاز على سطح مستو ثابت وآمن وجاف.
- يجب عدم وضع هذا الجهاز على أو بالقرب من الأسطح التي قد تكون ساخنة (كموقد الغاز أو الموقد الكهربائي).
- لا تستخدم الجهاز في حالة تعرضه للسقوط. وفي حالة وجود أي علامات واضحة تشير إلى وجود تلف أو وجود تسرب.
- تأكد من إيقاف تشغيل الجهاز ونزع قابسه عن مقبس مصدر إمداد الطاقة بعد الاستخدام وقبل التنظيف.
- دع الجهاز حتى يبرد درجة حرارته قبل التنظيف أو التخزين.
- لا تغمر مطلقاً بدن الجهاز أو سلك التيار الكهربائي والقابس في الماء أو أي سائل آخر.
- لا تدع مطلقاً سلك التيار الكهربائي يتدلى فوق حافة طاولة العمل، أو ملامسة الأسطح الساخنة أو أن يتشكل بما يؤدي إلى تكوين العقد أو التعرض للانشقاق أو القرص.
- لا تقم بلامسة الأسطح الخارجية للجهاز أثناء الاستخدام لأنها قد تكون ساخنة للغاية. بجراء استخدام القفازات المخصصة للفرن أو قطعة ملابس عند إزالة الغطاء. احترس من البخار المنبعث عند إزالة الغطاء.
- لا تحاول مطلقاً تسخين أي أطعمة ومواد غذائية بداخل الوحدة الأساسية مباشرة. استخدم دوماً وعاء الطهي القابل للفرن.
- بعض الأسطح غير مصممة لتحمل الحرارة الشديدة التي يتم إطلاقها من بعض الأجهزة لفترات زمنية طويلة. لا تضع الجهاز على السطح الذي قد يكون تالفاً بسبب الحرارة. نحن نوصي بوضع بطانة عازلة أو حامل ثلاثي القوائم أسفل الجهاز لمنع أي تلف محتمل قد يلحق بالسطح.
- غطاء جهاز الطهي البطيء مصنوع من الزجاج المعالج القوي. افحص دوماً الغطاء للتحري عن وجود أي شظايا. أو شقوق. أو أي تلف آخر. لا تستخدم الغطاء الزجاجي إذا كان تالفاً. حيث قد يتعرض للكسر أثناء الاستخدام.



الأجزاء

- A الغطاء
- B الخزف الحجري
- C قاعدة التسخين
- D التحكم في درجة الحرارة

التحضير للاستخدام

قبل استخدام جهاز الطهي البطيء الخاص بك، قم بإزالة كل مكونات التغليف وغسل الغطاء والخزف الحجري بماء دافئ به صابون ثم قم بالتنظيف تماماً.

تنبيه: لا تقم مطلقاً بغمر قاعدة التسخين، أو كابل الطاقة أو القابض في الماء أو أي سائل آخر.

ملاحظات هامة: بعض أسطح الكاونتر والطاولات غير مصممة لتحمل الحرارة الشديدة التي يتم إطلاقها من بعض الأجهزة لفترات زمنية طويلة. لا تضع الوحدة الساخنة على طاولة خشبية مصقولة. نحن نوصي بوضع بطانة عازلة للسخونة أو حامل ثلاثي القوائم أسفل جهاز الطهي البطيء الخاص بك لمنع أي تلف محتمل قد يلحق بالسطح.

برجاء توخي الحيلة عند وضع الخزف الحجري على السيراميك أو موقد الطهي ذو السطح العلوي الزجاجي الأملس، أو الكاونتر، أو أي سطح آخر. وبسبب طبيعة الخزف الصخري، فقد يقوم الجزء السفلي الخشن بإحداث خدوش على بعض الأسطح في حالة عدم توخي الحيلة. قم دوماً بوضع البطانة الواقية أسفل الخزف الحجري قبل وضعه على الطاولة أو الكاونتر.

كيفية استخدام جهاز الطهي البطيء

1. قم بوضع الخزف الحجري في قاعدة التسخين. وإضافة مكونات الطعام إلى الخزف الحجري وتغطيتهم بالغطاء.
 2. قم بتوصيل قابس جهاز الطهي البطيء Crock-Pot® الخاص بك وتحديد درجة حرارة الطهي (عالية أو منخفضة) باستخدام محدد درجة الحرارة.
 3. ملاحظة: الإعداد WARM "ساخن" هو الإعداد الوحيد الذي يحافظ على الطعام الذي تم طهيه بالفعل في حالة سخونة. الرجاء عدم الطهي على إعداد WARM "ساخن". نحن لا نوصي باستخدام إعداد KEEP "ساخن" لمدة تزيد عن 4 ساعات.
3. عند الانتهاء من الطهي. قم بنزع قابس جهاز الطهي البطيء الخاص بك وتركه فترة حتى يبرد قبل القيام بالتنظيف.
- ملاحظات خاصة بالاستخدام**
- حسب الرغبة. يمكنك التبديل يدوياً إلى الإعداد WARM "ساخن" عند الانتهاء من طهي وصفة الطهي الخاصة بك.
- لتفادي الطهي الزائد عن الحد اللازم أو أقل من الحد اللازم. قم دوماً بملء القدر المصنوع من الخزف الحجري بمقدار يتراوح ما بين 1/2 إلى 1% والالتزام بأوقات الطهي الموصى بها.
- لا تقم بملء الخزف الحجري عن آخره. لمنع انسكاب السائل. لا تقم بملء الخزف الحجري أعلى من نسبة 3/4.
- قم دوماً بالطهي والغطاء موضوع على الجهاز للحصول على وقت الطهي الموصى به. لا تقم بإزالة الغطاء خلال أول ساعتين من الطهي بما يسمح بتراكم درجة التسخين بشكل فعال.
- قم دوماً بارتداء الفخازات الخاصة بالفرن عند التعامل مع الغطاء أو الخزف الحجري.
- قم بنزع القابس عند الانتهاء من الطهي وقبل التنظيف.
- يتميز قدر الطهي المصنوع من الخزف الحجري بكونه مقاوم لحرارة الفرن.
- لا تستخدم أي خزف حجري يمكن إزالته على الموقد الكهربائي أو موقد الغاز أو أسفل المشواة.

نصائح وتلميحات خاصة بالطهي

- تخلص من الدهون. والتحمير في وعاء فلي والتصريف الجيد قبل الإضافة إلى قدر الطهي. قم بتتبيل الطعام بالملح والفلفل. ضع اللحم في قدر الطهي على قمة الخضار.
- بالنسبة لشواء اللحم وطهيه بالجلي. قم بإضافة السائل فوق اللحم. لا تضع أي سائل غير السائل المحدد في وصفة تحضير الطعام. يتم الاحتفاظ بعصارة إضافية في اللحوم والخضار أثناء عملية الطهي البطيئة أكثر منه في عملية الطهي التقليدية.
- يجب تقطيع الخضار إلى شرائح رقيقة أو وضعها بالقرب من الجوانب أو الجزء السفلي من الخزف الحجري. في جهاز الطهي البطيء. يتم طهي اللحوم عادة بشكل أسرع من الخضار.
- نظراً لعدم وجود أي حرارة مباشرة في الجزء السفلي. فقم دوماً بملء الخزف الحجري عند نصفه بالكامل على الأقل للتوافق مع أوقات الطهي. من الممكن تحضير كميات صغيرة لكن أوقات الطهي قد تتأثر بفعل ذلك.
- قد يختلف السائل المحدد في وصفة تحضير الطعام في حالة استبدال الكمية المساوية. على سبيل المثال. في حالة وضع كأس من الحساء بدلاً من وضع كأس من الطماطم. أو 1 كوب من اللحم البقري. أو مرق الدجاج بدلاً من وضع كوب واحد "1" من العصير.
- يجب أن تتم تطرية الحبوب تماماً قبل وضعها مع السكر. / أو الأظعمة الحمضية. السكر والحمض قد يؤديان إلى تصلب للحبوب وبالتالي قد يمنع ذلك أن تصبح طرية. الحبوب المحققة بالأخضر الحبوب الحمراء. يجب غليها قبل إضافتها إلى وصفة الطعام.

دليل تحضير وصفات الطهي

هذا الدليل مصمم لمساعدتك في تحضير وإعداد وصفات الطهي الخاصة بك ووصفات الطهي الأخرى باستخدام جهاز الطهي البطيء Crock-Pot®. معظم هذه الخطوات التحضيرية العادية غير ضرورية عند استخدام جهاز الطهي البطيء Crock-Pot® الخاص بك. في معظم الحالات، من الممكن دخول كل مكونات وصفة الطعام في جهاز الطهي البطيء مرة واحدة وأن يتم طهيها طيلة اليوم.

عام:

- اسمح بمرور وقت كافي للطهي.
- قم دوماً بالطهي والغطاء موضوع في موضعه.
- لا تقم بإضافة مقدار كبير من الماء بالإضافة بحسب وصفة الطهي. لا يتم غلي السوائل بنفس طريقة الطهي التقليدية وسيكون عادة لديك مقدار إضافي من السائل في نهاية عملية الطهي أكثر من المقدار الذي بدأت به.
- لا يتم طهي الخضار بشكل مفرط كما هو الحال عند طهيها على الموقد، أو في الفرن. وبالتالي يمكن إدخال كل شيء في جهاز الطهي البطيء مرة واحدة في نفس الوقت. ومع ذلك يجب إضافة الحليب. القشدة المخمرة أو القشدة أثناء الساعة الأخيرة من عملية الطهي.

وقت وصفة الطهي	الطهي على الإعداد "المتخفّف" LOW	الطهي على الإعداد "العالي" HIGH
15 - 30 دقيقة	4 - 6 ساعة	1 ½ إلى 2 ساعة
31 - 45 دقيقة	6 - 10 ساعة	3 - 4 ساعة
من 50 دقيقة إلى 3 ساعات	8 - 10 ساعات	4 - 6 ساعة

المعكرونة والأرز

إذا كانت وصفة الطهي الخاصة بك تتطلب أن تتم إضافة المعكرونة المسطحة على شكل شرائط أو المعكرونة العادية وما شابه ذلك، فقم بالطهي على الموقد التقليدي حتى تصبح ذات قوام رقيق قليلاً، وإضافتها إلى جهاز الطهي البطيء الخاص بك خلال آخر 30 دقيقة من عملية الطهي. لاستخدام الأرز، قم بتقليبه مع مكونات الوجبة الأخرى وإضافة ¼ كوب إضافي من السائل لكل ¼ كوب من الأرز. الأرز طويل الحبة يقدم نتائج أفضل.

الحبوب

يجب أن تتم تطرية الحبوب تماماً قبل وضعها مع السكر، و/ أو الأطعمة الحمضية. السكر والحمض قد يؤديان إلى تصبب للحبوب وبالتالي قد يمنع ذلك أن تصبح طرية. الحبوب المجففة بالأخص الحبوب الحمراء كلية يجب غليها قبل إضافتها إلى وصفة الطعام. من الممكن استخدام الحبوب المعبأة في علب والمطهية بشكل كامل كبديل عن الحبوب المجففة.

الخضار

يوجد العديد من أنواع الخضار التي تستفيد من عملية الطهي ببطء وتتمكن من ظهور النكهة والطعم الرائعين لديها بشكل كامل. وهي تميل للتعرض إلى زيادة الطهي في جهاز الطهي البطيء كما لو كانت في الفرن الخاص بك أو على الموقد. عند طهي وجبات تحضير الطعام مع الخضار واللحوم، قم بوضع الخضار في جهاز الطهي البطيء قبل وضع اللحوم. يتم طهي الخضار عادة بشكل أكثر ببطء عن اللحوم في جهاز الطهي البطيء. قم بوضع الخضار بالقرب من الجوانب أو الجزء السفلي من الخزف الحجري لتسهيل عملية الطهي.

الأعشاب والتوابل

الأعشاب الطازجة تعطي نكهة ولون ومذاق رائع لكن يجب إضافتها في نهاية دورة الطهي حيث سوف تتبدد هذه النكهة خلال أوقات الطهي الطويلة. الأعشاب المطحونة، و/ أو الأعشاب المجففة والتوابل لديها تأثير رائع في عملية الطهي البطيء، ومن الممكن إضافتها في البداية. نكهة كل الأعشاب والتوابل قد تختلف بشكل كبير بحسب شدتها وعمر استخدامها. استخدم الأعشاب بشكل ضئيل وتذوق الطعام في نهاية دورة الطهي وقم بضبط مقدار التوابل قبل تقديم الطعام لتناوله.

الحليب

الحليب، والقشدة المخمرة والقشدة قد تصاب بالعطب أثناء الطهي لفترة طويلة. بقدر الإمكان، قم بإضافتها خلال آخر فترة تتراوح ما بين 15 إلى 30 دقيقة من عملية الطهي. الحساء المكثف يمكن استخدامه كبديل عن الحليب وطيئه على فترات طويلة.

الحساء

بعض وصفات تحضير الطعام تتطلب مقادير كبيرة من الماء، قم بإضافة مكونات الحساء في جهاز الطهي البطيء أولاً، ثم إضافة الماء لتغطية المكونات فقط. إذا كنت ترغب في حساء ذو قوام رقيق، فقم بإضافة المزيد من السائل عند التقديم للطعام.

التنظيف

قم دوماً بتنزع قابس جهاز الطهي الخاص بك من مصدر التيار الكهربائي ودعه حتى تبرد درجة حرارته قبل التنظيف.

تنبيه: لا تقم مطلقاً بغمر قاعدة التسخين. أو كابل الطاقة أو القابس في الماء أو أي سائل آخر.

من الممكن غسل الغطاء والخزف الحجري في غسالة الصحون أو بالماء الساخن والصابون. لا تستخدم مكونات تنظيف كاشطة أو بطانات مصقولة. ستقوم عادة قطعة القماش أو الإسفنج أو سكين المعجون المطاطي بإزالة بقايا. لإزالة بقع الماء وغيرها من اللطخات الأخرى. استخدم منظف غير كاشط أو الخل.

كما هو الحال مع الخزف الرقيق. فإن الخزف الحجري والغطاء لن يكونا لديهما القدرة على تحمل التغييرات المفاجئة في درجة الحرارة. لا تقم بغسل الخزف الحجري أو الغطاء بماء بارد عندما تكون درجة الحرارة الخاصة بهما ساخنة.

من الممكن تنظيف الجزء الخارجي من قاعدة التسخين باستخدام قطعة قماش ناعمة وماء دافئ به صابون. قم بالتجفيف عن طريق المسح. لا تستخدم مواد منظفة كاشطة.

يجب عدم تنفيذ أي أعمال خدمة أخرى.

ملاحظة: بعد أي عملية تنظيف باليد. دع الخزف الحجري يجف بالهواء قبل تخزينه.

الضمان

برجاء الاحتفاظ بهذا الإيصال الخاص بك لأنه سيطلب منك تقديمه عند أي مطالبات بموجب هذا الضمان.

هذا الجهاز مشمول بضمان لمدة 2 سنة بعد شرائك له كما هو محدد في هذا المستند.

خلال فترة الضمان التي يغطيها الجهاز. وفي الحالات نادرة الحدوث التي لا يعمل خلالها الجهاز بسبب عيوب في التصميم أو التصنيع. فالرجاء إعادته مرة أخرى إلى مكان الشراء مع الإيصال ونسخة من هذا الضمان.

تعد الحقوق والمنافع بموجب هذا الضمان هي مزايا إضافية إلى حقوقك التي يكلفها لك القانون. وهي لا تتضرر بموجب هذا الضمان. ("Jarden Europe Consumer Solutions (Europe) Limited") هي الشركة فقط التي لديها حق إجراء تغيير على هذه الشروط.

JCS (أوروبا) تتولى مسؤولياتها خلال فترة الضمان في إجراء عمليات الإصلاح أو الاستبدال للجهاز. أو أي جزء من الجهاز يكتشف أنه لا يعمل بطريقة صحيحة وذلك بشكل مجاني بدون مقابل بشرط:

- أن تبلغ على الفور مكان الشراء. أو JCS (أوروبا) عن هذه المشكلة. و
- عدم إجراء أي تعديل على الجهاز بأي طريقة أو تعرضه للتلف. أو سوء الاستخدام. أو سوء الاستعمال أو الإصلاح أو التعديلات من قبل أي شخص آخر غير هذا الشخص المخول بواسطة JCS (أوروبا).

العيوب التي تحدث بسبب الاستخدام غير الملائم أو التلف أو سوء الاستعمال أو الاستخدام مع جهد كهربائي غير ملائم. أو كوارث الطبيعة. أو الأحداث التي تتجاوز قدرة JCS (أوروبا) على التحكم أو عمليات الإصلاح أو التعديل التي تتم بواسطة شخص آخر غير الشخص المخول من قبل (أوروبا) أو عدم الالتزام في اتباع تعليمات الاستخدام لا يغطيها الضمان. علاوة على ذلك. فأي بلى أو تمزق طبيعي بما في ذلك على سبيل المثال لا الحصر. أو التغييرات البسيطة في اللون والخدوش. كل ذلك لا يغطيها الضمان.

الحقوق بموجب هذا الضمان ستنطبق فقط على المشتري الأصلي دون غيره ولن تمدد إلى الاستخدام بغرض تجاري أو مشترك.

إذا كان جهازك يتضمن ضمان خاص بدولة معينة أو نشرة الكفالة. فالرجاء الرجوع إلى الشروط والأحكام الخاصة بمثل هذا الضمان أو الكفالة في مكان الضمان أو الاتصال بالموزع المحلي لديك لمعرفة مزيد من التفاصيل.

يجب عدم التخلص من المنتجات الكهربائية المستهلكة في أماكن النفايات العادية. برجاء إعادة التدوير في المنشآت القائمة لهذا الغرض.

تفضل بإرسال رسالة بريد إلكتروني على enquiriesEurope@jardencs.com لمعرفة معلومات إضافية عن إعادة التدوير والمرسوم الأوروبي لنفايات الأجهزة الكهربائية والإلكترونية .



Jarden Consumer Solutions (Europe) Limited
5400 Lakeside
Cheadle Royal Business Park
Cheadle
SK8 3GQ
UK



CROCK·POT®

◆ THE ORIGINAL SLOW COOKER ◆



For Customer Service details, please see the website.
Pour le service consommateurs, veuillez consulter le site web.
Para más información de servicio, por favor visite nuestra página web.

www.crockpoteurope.com

email: enquiriesEurope@jardencs.com

© 2017 Jarden Consumer Solutions (Europe) Limited.

All rights reserved. Imported and distributed by Jarden Consumer Solutions (Europe) Limited,
5400 Lakeside, Cheadle Royal Business Park, Cheadle, SK8 3GQ, United Kingdom.
Jarden Consumer Solutions (Europe) Limited is a subsidiary of Newell Brands Inc. (NYSE: NWL).
The product supplied may differ slightly from the one illustrated due to continuing product development.

Printed In China

Tous droits réservés. Distribué par Jarden Consumer Solutions (Europe) Limited,
5400 Lakeside, Cheadle Royal Business Park, Cheadle, SK8 3GQ, United Kingdom.
Jarden Consumer Solutions (Europe) Limited est une filiale de Newell Brands Inc. (NYSE: NWL).
En raison du développement continu de nos produits, le produit livré risque de varier légèrement de l'illustration.

Imprimé en Chine

Todos los derechos reservados. Distribuido por Jarden Consumer Solutions (Europe) Limited,
5400 Lakeside, Cheadle Royal Business Park, Cheadle, SK8 3GQ, Reino Unido.
Jarden Consumer Solutions (Europe) Limited es una filial de Newell Brands Inc. (NYSE: NWL).
El producto suministrado puede diferir ligeramente del mostrado en la imagen debido al desarrollo permanente de los productos.

Impreso en China

