





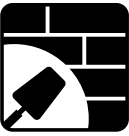
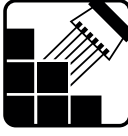


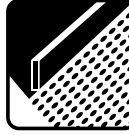










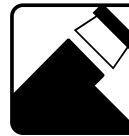
Xo1R Xo4R Xo6R

EN Original Operating Instructions
FR Mode d'emploi d'origine
ES Manual de servicio original

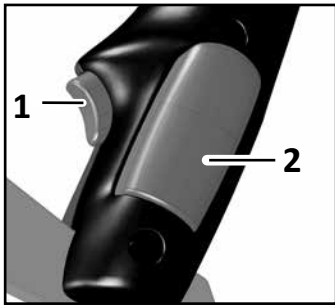
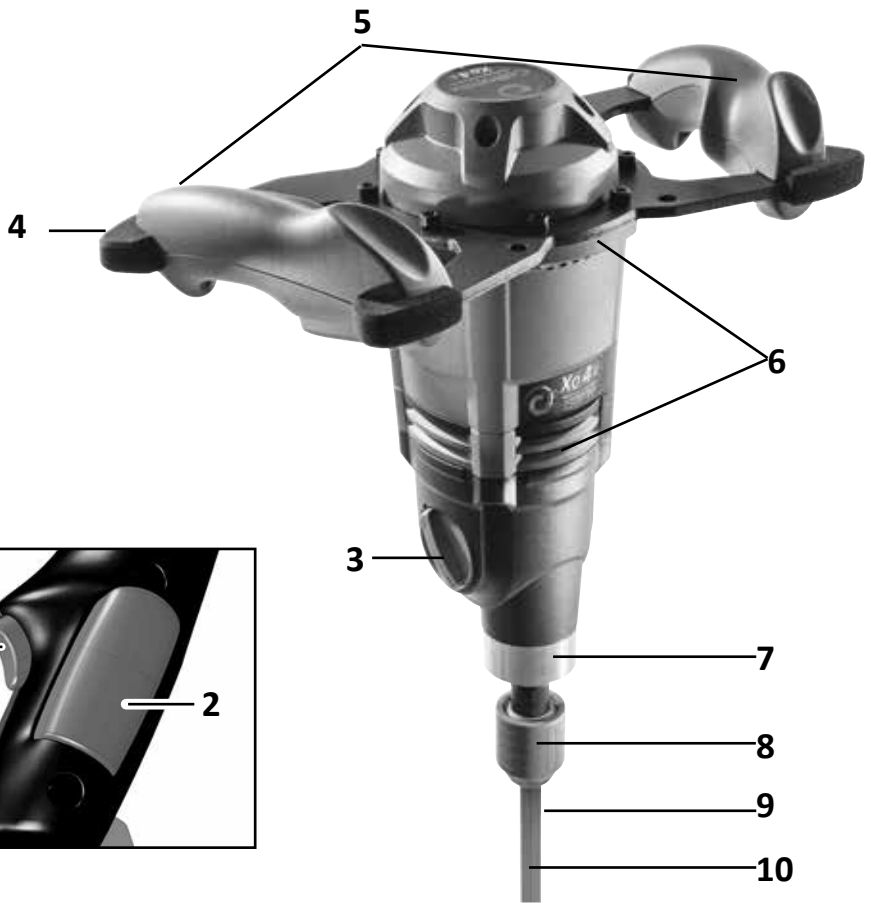
Electronic Hand-Mixer
Mélangeur électroportatif
Mezcladora manual electrónica

110 volts US

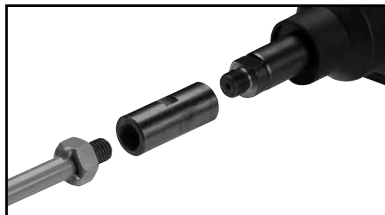
 **Collomix**

	↑	WK 120 WK 140			
	↑	MK 120 MK 140 MK 160			
	↔	KR 120 KR 140 KR 160			
	↓	LX 120			
	↓	DLX 120 DLX 152			

	Xo 1 R	Xo 4 R	Xo 6 R
WK 120	•	•	
WK 140		•	•
MK 120	•	•	
MK 140		•	•
MK 160			•
KR 120	•	•	
KR 140		•	•
KR 160			•
LX 120	•	•	
DLX 120	•	•	
DLX 152		•	•



A



B



C

	Xo 1 R	Xo 4 R	Xo 6 R
Rated power/Current consumption:	1010W / 10.0 amps	1300W / 11.8 amps	1600W / 14.5 amps
Power supply:	110-125 volts AC	110-125 volts AC	110-125 volts AC
Frequency:	50/60 hz	50/60 hz	50/60 hz
No-load speed, first gear	- 900 min ⁻¹	- 660 min ⁻¹	- 660 min ⁻¹
second gear		- 920 min ⁻¹	- 920 min ⁻¹
Rpm under load, first gear	- 650 min ⁻¹	- 450 min ⁻¹	- 410 min ⁻¹
second gear		- 620 min ⁻¹	- 580 min ⁻¹
Maximum mixing tool diameter:	120 mm / 4¾"	140 (150*) mm / 5½"	„160 mm / 6¼"
Weight w/o mixing tool:	4,5 kg / 11.7 lb	5,4 kg / 13.6 lb	5,4 kg / 15.4 lb
Protection class:	□ / II	□ / II	□ / II

Machine components

- 1 Release button for ON/OFF switch
- 2 ON/OFF switch
- 3 Gear selection switch (for Xo 4 R/Xo 6 R only)
- 4 Handle frame with rubber buffer
- 5 Handles
- 6 Ventilation slits
- 7 Neck of the machine
- 8 Mixing shaft
- 9 HEXAFIX adapter / size M14 adapter
- 10 Mixing tool

⚠ WARNING:

The measured values which are provided apply to new machines. Noise and vibration levels change with day-to-day use.

ℹ NOTE

The vibration level given in these instructions was measured in accordance with a standardized method of measurement as defined in EN 60745 and can be used for the purposes of comparing electrical tools with each other. It is also suitable for a preliminary estimation of vibration strain. The vibration level which is given represents vibration level for the primary use of the electrical tool. If, however, the electrical tool is used for any other purposes, with different plug-in tools or with insufficient maintenance, the vibration level may vary. This can result in a significantly higher level of vibration strain over the work period as a whole. For a precise estimation of the vibration strain the times when the machine is switched off have to be taken into account as well, as do the times when it is running but is not actually being used. This can result in a significantly reduced level of vibration strain over the work period as a whole.

Noise/vibration levels

Measured values determined in accordance with EN 60745. The A-weighted noise level of the machine is typically:

	Sound pressure level L _{PA} [dB(A)]	Sound power level L _{WA} [dB(A)]
Xo 1 R	82 dB(a)	93 dB(A)
Xo 4 R	88 dB(a)	99 dB(A)
Xo 6 R	88 dB(a)	99 dB(A)
Uncertainty K = 3 dB		

Overall vibration level (for mixing of mineral materials)

	Emission level a _n [m/s ²]
Xo 1 R	2,0 m/s ²
Xo 4 R	2,2 m/s ²
Xo 6 R	2,2 m/s ²
Uncertainty K = 1,5 m/s ²	

CE Declaration of Conformity


We declare, with sole responsibility, that this product complies with the following standards or normative products: EN 55014, EN 61000, EN 60745-1:2009 + EN60745-2-1:2010 in accordance with the provisions of directives 2004/108/EC, 2006/42 EC.



Gaimersheim, 2018-12-04
Alexander Essing
Managing Director


Technical documentation can be requested from:
Collomix GmbH
Abt. Technische Entwicklung
Daimlerstr. 9, 85080 Gaimersheim, Germany

Machine-specific safety instructions

 **WARNING:** Read all notes and instructions on safety. Failure to observe any of the notes and instructions on safety may result in an electric shock, fire and/or serious injury.

Make sure that you keep all notes and instructions on safety for future reference.

To be able to use the machine safely it is essential that you read the operating instructions and the safety instructions thoroughly and comply with all of them. The machine is to be used only by persons who have read the operating instructions and who are acquainted with the occupational safety and accident prevention regulations in force in your country.

 In addition, you must also comply with the general safety instructions also included with the machine.

- ▶ Take care to ensure that the mains power supply corresponds to the specifications on the rating plate.
- ▶ Do not use the device in any environments with potentially explosive atmospheres. Do not mix any readily flammable solvents or solvent-containing substances with a flash point of below 21° C / 69° F.
- ▶ Take care to ensure that no liquid splashes against the motor housing and keep it away from the rain – risk of electric shock!
- ▶ Never clean the machine with water – risk of electric shock!
- ▶ Do not wind cables or leads around any parts of your body.
- ▶ Do not use the machine with a damaged cable. Do not touch the cable and pull out the power plug immediately. There is an increased risk of electric shock from damaged cables. If the mains power cable has to be replaced (because of damage or similar), ensure that it is replaced by the manufacturer or an authorized representative of the manufacturer (electrician) in order to avoid any risk to safety.
- ▶ Always hold the machine firmly with both hands when carrying out your work and make sure you have a secure footing.
- ▶ Hold the machine by the insulated grip surfaces, when performing an operation where the plug-in tool may contact hidden wiring or it's own cord. Plug-in tools contacting a "live" wire may make exposed metal parts of the power tool "live" and could give the operator an electric shock.
- ▶ Before starting up, check that the mixing rod is securely attached and rotates without a hitch.
- ▶ Start up and run down the machine in the mixing container only. Ensure that the mixing container is

stood in a firm and secure position.

- ▶ Only operate the machine and the mixing tool in perfect condition. Do not use damaged, bent or worn paddles.
- ▶ Do not reach into the mixing container with your hands or insert any other objects into it while mixing is in progress. Risk of crushing!
- ▶ Wait until the machine or tool comes to a complete standstill. Rotating tools can snag and cause injuries or damage.
- ▶ If the sound pressure level should exceed 85 dB (A) where you are working, use ear protection!
- ▶ We recommend that you wear work gloves and protective goggles when using the mixer. Regulations require that you wear close-fitting clothing.
- ▶ To protect yourself from harmful dust while mixing, wear a dust mask. Some mineral materials are deemed to be carcinogenic. Use a dust extractor wherever possible. To select suitable dust extraction systems or dust masks please refer to the information of the material manufacturer's.
- ▶ Always connect machines via an earth-leakage circuit-breaker.

CALIFORNIA - PROPOSITION 65 WARNING

Grinding/cutting/drilling and other construction activities contains chemicals know the State of California to cause cancer, birth defects and other reproductive harm. Some examples of these chemicals are:

- Lead from lead-based paints.
- Crystalline silica from bricks.
- Cement and other masonry products.
- Arsenic and chromium from chemically treated lumber.

Your risk from these exposures varies, depending on how often you do this type of work. To reduce your exposure to these chemicals: ALWAYS work in a well ventilated area, and work with approved safety equipment, such as dust masks that are specially designed to filter out microscopic particles, or use an appropriate dust extraction system with micro part filter linked to the machine, to filter out microscopic particles.



Read and observe the operating instructions for the machine before you start it up!



Always wear protective goggles and ear protection while working.



It is advisable to wear a dust mask whenever working with materials which generate large amounts of dust.



Always wear protective gloves while working.

Proper use

The machine is designed for mixing liquid and powder-based building products such as paints, mortar, adhesives, plaster and similar substances. Use the right mixing tool for the consistency of the material and the quantity to be mixed.

Please refer to the information in the technical data when choosing the size of mixing tool (diameter/mixing action). If the wrong mixing action or mixing tool diameter is selected, this may cause the machine/gear unit to become overloaded and lead to damage as a result. Please remember that a mixing tool with a mixing action from the top down puts a greater strain on the electrical tool than one with the reverse mixing action.

Given the high torque levels generated by the machine, it must not be used as a power drill.

The machine must not be used for the preparation of foodstuffs.

The machine is not suitable for mixing materials containing graphite dust, brine or slurry. Mixing of these materials or substances may damage the machine beyond repair.

Assembly

► Always pull the power plug out of the socket outlet before carrying out any work on the machine.

Fitting the mixing tool mount:

Take the HEXAFIX coupling or size M14 adapter supplied with the packaging and screw it to the male thread of the mixing shaft.

Fitting the mixing tool / tool change-over:

HEXAFIX (Fig. A)

Insert the mixing tool with the HEXAFIX mount in

the coupling until it locks. To release or change the mixing tools, simply pull back the handle-collar on the coupling and this releases the mixing tool. (Fig. C)

M14 (Fig. B)

Screw the mixing tool with a size M14 male thread into the M14 adapter on the mixing shaft. The mixing tool tightens itself during operation.

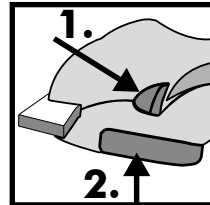
To release the mixing tool you will need one SW 22 and one SW 24 open-ended wrench. Place the one open-ended wrench on the adapter and the other on the hexagonal holding fixture and turn them both in opposite directions to one another until the mixing tool is released.

Operation

► Check that the power supply shown on the rating plate is the same as the mains power supply.

Always hold the machine with both hands.

Press the starting lockout button (1).

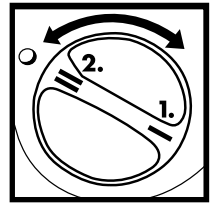


Press the ON/OFF switch (2).

The more pressure you apply to the ON/OFF switch, the faster the machine will run. **The ON/OFF switch cannot be locked!**

Always work with the ON/OFF switch fully pressed.

To stop working, release the ON/OFF switch.



Machines with 2-speed gear units (Xo4R/Xo6) have two maximum speeds available (First gear: Slow / Second gear: Fast).

To change from one gear to the other, turn the gear selection lever through 180°.

Only ever actuate it when the machine is at a standstill.

⚠ WARNING

Tips for safe working:

Always reduce the speed when submerging the mixing tool in the mixing material or lifting it out. Once the mixing tool is fully submerged, increase the speed again to ensure that the motor is adequately cooled.

During mixing you should guide the machine around the mixing container. Continue mixing until all of the mixing material is completely mixed. Please follow the processing instructions of the manufacturer of the material.

You work better and safer when the mixing tool used is clean, free of material residues and in perfect condition.

The greater the viscosity of the material, the greater the impact of the torque forces on the machine, so you should be prepared for this when you carry out your work.

If the mixing tool comes into contact with a surface (e.g. the bottom of the tub) while running, it may kick back.

Set the machine down resting on the guard handle after you have finished your mixing work.

For transportation purposes the HEXFIX mixing tool can be inserted through the hexagon punch-hole provided in the handle frame.

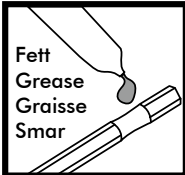
Care and maintenance

WARNING

► **Before you carry out any operations on the machine, and especially when changing the mixing tool, always pull out the power plug out first!**

Clean the machine and the mixing tool immediately after use. We recommend that you use the Collomix MIXER CLEAN cleaning bucket for cleaning.

Keep the HEXAFIX coupling clean and freely moving at all times.



Take the mixing tool out of the coupling after you have finished your work.

Grease the hexagon mount of the coupling at regular intervals with suitable grease.

Keep the ventilation slits clean and clear at all times so that the machine can be properly cooled. Blocked ventilation slits will lead to irreparable damage to the machine.

Make sure that the ON/OFF switch moves and releases smoothly at all times.

The machine is equipped with self-deactivating carbon brushes. This means that the machine will shut itself down once a certain level of wear is reached. The carbon brushes can be replaced by the authorized customer service center or by the Collomix Service center.

Have repairs carried out only by an approved workshop or by your Collomix Service.

Only use original Collomix accessories and replacement parts.

For exploded drawings, lists of replacement parts and the form for repair orders, please refer to: <http://www.collomix.com>

Disposal

The device, accessories and packaging should all be consigned for environment-friendly recycling.

Electrical tools which have come to the end of their service lives must be made unusable by removing the mains power cable.

Do not dispose of electrical tools with household waste.

Content

1x Mixing machine
1x Mixing paddle
1x Hexafix adapter
1x Manual
1x General safety notes

Warranty

The manufacturer provides a warranty within the framework of his terms and conditions of delivery in accordance with the requirements of statutory/country-specific provisions. Should you need to make a claim under the warranty, please provide us with your invoice or delivery note.

On no account will any warranty claims be accepted if any repairs are carried out by third parties. In the event of any irregularities, please send the machine to us. **Complaints can only be accepted if the device is sent to the Collomix Service center undismantled.**

The warranty does not apply to damages caused by normal wear, overloading, improper handling, unsuitable accessories or inadequate maintenance.

Any structural or functional modifications to the machine which are made without our agreement shall render the warranty and the Declaration of Conformity null and void.

Subject to change.

Serviceaddress USA and Canada:

Collomix North America Inc.
648 Crescent Court
Milwaukee, WI 53213
Phone: 414 471 3883
Fax: 414 918 8032
E-Mail: al.karraker@collomix.com
www.collomix.us

Manufacturer:
Collomix GmbH
Daimlerstrasse 9
85080 Gaimersheim
Germany

FR Caractéristiques techniques

	Xo 1 R	Xo 4 R	Xo 6 R
Puissance nominale/courant absorbé :	1010W / 10.0 amps	1300W / 11.8 amps	1600W / 14.5 amps
Tension :	110-125 volts AC	110-125 volts AC	110-125 volts AC
Fréquence :	50/60 hz	50/60 hz	50/60 hz
Vitesse de rotation à vide 1ère vitesse	-900 tr/min	- 660 tr/min	- 660 tr/min
2ème vitesse		- 920 tr/min	- 920 tr/min
Vitesse sous charge, 1ère vitesse	- 650 tr/min	- 450 tr/min	- 410 tr/min
2ème vitesse		- 620 tr/min	- 580 tr/min
Diamètre de mélangeur maximum :	120 mm / 4¾"	140 (150*) mm / 5½"	„160 mm / 6¼"
Poids sans mélangeur :	4,5 kg / 11.7 lb	5,4 kg / 13.6 lb	5,4 kg / 15.4 lb
Catégorie de protection :	□ / II	□ / II	□ / II

Éléments de la machine

- 1 Dispositif de déverrouillage pour interrupteur Marche/Arrêt
- 2 Interrupteur Marche/Arrêt
- 3 Changement de vitesse (uniquement Xo4R/Xo6R)
- 4 Cadre de poignée avec tampons en caoutchouc
- 5 Poignées
- 6 Fente d'aération
- 7 Embouchure de la machine
- 8 Arbre agitateur
- 9 Adaptateur HEXAFIX / adaptateur M-14
- 10 Turbine

Valeurs de bruit/vibrations:

Valeurs mesurées déterminées conformément à EN 60745. Le niveau de bruit pondéré A de l'appareil s'évalue de façon typique :

	Pression acoustique L_{pA} [dB(A)]	Puissance acoustique L_{WA} [dB(A)]
Xo 1 R	82 dB(a)	93 dB(A)
Xo 4 R	88 dB(a)	99 dB(A)
Xo 6 R	88 dB(a)	99 dB(A)
	Insécurité K = 3 dB	

Valeur totale de vibrations (lors du brassage de matières minérales)

	Niveau sonore a_n [m/s ²]
Xo 1 R	2,0 m/s ²
Xo 4 R	2,2 m/s ²
Xo 6 R	2,2 m/s ²
	Insécurité K = 1,5 m/s ²

⚠ AVERTISSEMENT:

Les valeurs de mesure indiquée sont celles des appareils neufs. Dans l'emploi quotidien, les valeurs de bruit et de vibrations se modifient.

ℹ Remarque

Le niveau de vibrations indiqué dans ces instructions est mesuré conformément à la méthode de mesure normée EN 60745 et peut être utilisé pour la comparaison d'outils électriques entre eux. Il convient également à une estimation provisoire de la charge de vibrations. Le niveau de vibrations indiqué représente les applications principales de l'outil électrique. Si toutefois l'appareil électrique est utilisé pour d'autres applications, avec d'autres outils employés ou qu'il n'est pas suffisamment entretenu, le niveau de vibrations peut différer. Cela peut nettement augmenter la charge en vibrations pendant toute la durée du travail.

Pour pouvoir évaluer avec précision la charge en vibrations, il est préférable de prendre également en compte les temps pendant lesquels l'appareil sera hors circuit ou pendant lesquels il marchera sans être employé. Cela peut nettement réduire la charge en vibrations pendant toute la durée du travail.

Déclaration de conformité CE

Nous déclarons sous notre propre responsabilité que ce produit est conforme aux normes et aux produits normatifs suivants: EN 55014, EN 61000, EN 60745-1:2009 + EN60745-2-1:2010 conformément aux règlements des directives 2004/108/CE, 2006/42 CE.



Gaimersheim, le 2018-12-04
Alexander Essing
Direction

Demander la documentation technique auprès de :
Collomix GmbH
Abt. Technische Entwicklung (Dpt Progrès technique)
Daimlerstr. 9, 85080 Gaimersheim, Allemagne

Spécifique à l'appareil

Consignes de sécurité

⚠ AVERTISSEMENT: Veuillez lire toutes les consignes de sécurité et instructions. Tout non-respect des consignes de sécurité et instructions peut provoquer une décharge électrique, un incendie et/ou des blessures graves.

Conservez toutes les consignes de sécurité et toutes les instructions pour l'avenir.

Il est uniquement possible de travailler sans danger avec l'appareil si l'on a auparavant lu complètement le mode d'emploi et les consignes de sécurité et si l'on respecte strictement leurs instructions. Seules les personnes familiarisées avec ce mode d'emploi et les consignes en vigueur relatives à la sécurité du travail et à la prévention des accidents sont autorisées à utiliser cette machine.

⚠ Il faut respecter également les « Consignes de sécurité générales » ci-jointes.

- ▶ La tension du réseau doit coïncider avec les indications de la plaque signalétique.
- ▶ L'appareil ne doit pas être exploité dans un environnement à atmosphère explosible. Ne jamais mélanger des solvants légèrement inflammables ou des matériaux comprenant des solvants dont le point d'inflammation est inférieur à 21°C/69°F.
- ▶ Veillez à ce qu'aucun liquide n'éclabousse le carter du moteur et ne pas l'exposer à la pluie - risque d'électrocution !
- ▶ Ne nettoyez jamais l'appareil à l'eau - risque d'électrocution !
- ▶ N'enlacez jamais un câble autour du corps ou de parties du corps.
- ▶ N'utilisez pas l'appareil si le câble est abîmé. Ne touchez pas à l'appareil et retirez immédiatement la fiche secteur. Les câbles endommagés augmentent le risque de décharge électrique. S'il est nécessaire de remplacer (endommagement ou autre) la ligne de raccordement réseau, il faut alors le faire faire par le producteur ou par un représentant autorisé (spécialiste électricien(ne) afin d'éviter tout risque du point de vue de la sécurité.
- ▶ Maintenez l'appareil pendant de travail toujours des deux mains et gardez toujours une bonne posture.
- ▶ Maintenez l'appareil au niveau des poignées isolées lorsque vous réalisez des travaux pour lesquels l'outil employé est susceptible de toucher des câbles électriques cachés ou le propre câble de l'appareil. Le contact avec une conduite conductrice de tension peut également mettre sous tension des pièces en métal de l'appareil et entraîner une décharge électrique.
- ▶ Avant la mise en service, contrôlez le bon logement de la tige du mélangeur tout comme sa bonne

marche concentrique.

- ▶ Il faut laisser démarrer et s'arrêter l'appareil dans le récipient de mélange. Assurer un positionnement bien équilibré et sûr du récipient de mélange.
- ▶ Utilisez la machine et l'agitateur uniquement en parfait état. Ne pas utiliser d'agitateurs endommagés, pliés ou usés.
- ▶ Ne pas mettre les mains ou des objets dans le récipient de mélange alors que les mélanges sont en cours. Risque de pincements !
- ▶ Patientez jusqu'à ce que l'appareil ou encore l'outil s'arrête. Les outils en rotation peuvent s'accrocher et entraîner des blessures ou des dommages.
- ▶ Si le niveau de pression acoustique au poste de travail 85 dB (A) est dépassé, portez une protection acoustique !
- ▶ Il est conseillé de porter des gants et des lunettes de protection pendant le travail avec le mélangeur. Le port de vêtements collants est obligatoire.
- ▶ Pour la protection contre les poussières dangereuses, portez un masque pendant le mélange. Certains matériaux minéraux sont considérés comme cancérigènes. Utilisez une aspiration de poussière dans la mesure du possible.
- ▶ Raccordez toujours les appareils via un disjoncteur à courant de défaut (DDR) avec un courant de déclenchement de 30 mA ou moins.

FR



Avant la mise en service de la machine, lisez le mode d'emploi et respectez-le !



Pendant le travail, portez des lunettes de protection et une protection de l'ouïe.



Il est conseillé de porter un masque anti-poussière pour les travaux dégageant beaucoup de poussière.



Portez des gants de protection pendant le travail.

FR Utilisation conforme au règlement

La machine sert à mélanger des matériaux de construction liquides et poudreux tels les couleurs, mortiers, colles et autres substances du même genre. En fonction de la consistance du matériau et de la quantité à mélanger, il faut employer le mélangeur approprié à effet correspondant.

Lors de la sélection du type de mélangeur (diamètre/effet de mélange), respectez les caractéristiques techniques. Le choix d'un effet de mélange ou diamètre de turbine inadéquats peut entraîner une surcharge de la machine ou de la transmission et donc des dommages. Attention : un mélangeur dont l'effet de mélange agit de haut en bas sollicite plus fortement l'outil électrique que dans le sens inverse.

En raison du couple de rotation élevé de la machine, il est interdit de l'employer comme perceuse.

L'utilisation de la machine pour le traitement d'aliments n'est pas admissible.

La machine ne convient pas au mélange de matériaux comprenant de la poussière de graphite, des saumures ou du purin. Le mélange de ces matériaux peut détruire la machine.

Montage

- ▶ **Avant tout travail sur l'appareil, retirez la fiche secteur de la prise de courant.**

Montage du logement du mélangeur :

Vissez le coupleur HEXAFIX ou l'adaptateur M14 qui se trouve dans l'emballage sur le filet extérieur de l'arbre agitateur.

Montage du turbine / changement de moules :

HEXAFIX (Fig. A)

Enfichez le mélangeur dans le logement HEXAFIX, dans le coupleur jusqu'à ce qu'il verrouille. Pour détacher ou remplacer le turbine, retirer la manchette du coupleur, le turbine est libéré. (Fig C)

M 14 (Fig. B)

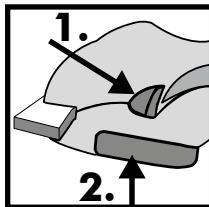
Vissez le mélangeur au filet extérieur M14 dans l'adaptateur M14 sur l'arbre agitateur. Le turbine se fixe pendant le fonctionnement.

Pour desserrer le turbine, aidez-vous d'une clé à fourche SN 22 et SN 24. Placez une clé à fourche sur l'adaptateur, le second sur le logement à six pans du mélangeur et les tirez l'une contre l'autre jusqu'à ce que le turbine se détache.

Service

- ▶ **Contrôlez si la tension indiquée sur la plaque signalétique coïncide avec la tension du réseau.**

Tenez toujours la machine des deux mains.



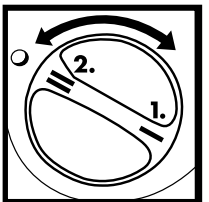
Appuyez sur le bouton de verrouillage de démarrage (1).

Appuyez sur l'interrupteur Marche/Arrêt (2).

Plus on appuie sur l'interrupteur Marche/Arrêt est appuyé, plus la machine va vite. **L'interrupteur Marche/Arrêt ne peut pas être bloqué !**

Travaillez toujours avec l'interrupteur Marche/arrêt complètement enfoncé.

Pour clore le travail, relâchez l'interrupteur Marche/Arrêt.



Pour les machines à 2 vitesses (Xo4R/Xo6R), deux vitesses maximales (1ère vitesse lente/2ème vitesse rapide) sont disponibles.

Pour passer d'une vitesse à l'autre, tournez le manche de vitesse de 180°.

Actionner uniquement à l'arrêt.

Conseils pour un travail en toute sécurité:

En plongeant dans le mélange et/ou en retirant le mélangeur de celui-ci, vous réduisez la vitesse de rotation. Après avoir intégralement plongé le mélangeur dans le mélange, augmentez la vitesse jusqu'au maximum ce qui garantit un refroidissement suffisant du moteur.

Pendant le mélange, guidez la machine dans le récipient de mélange. Continuez à mélanger jusqu'à ce que le résultat soit complètement homogène. Respectez les instructions de traitement du producteur du matériau.

Ils fonctionnent mieux et sont plus sûrs lorsque l'agitateur utilisé est propre, exempt de résidus de matière et en parfait état.

Plus le mélange est visqueux, plus les couples de rotation qui agit sur la machine sont élevés. Soyez prêts à y faire face pendant le travail.

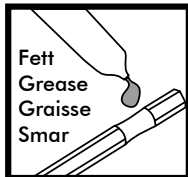
Si le turbine connu une surface pendant qu'il marche (pas exemple le fond du paquet), il est possible qu'il soit repoussé d'un coup en arrière.

Une fois le mélange terminé, remettez la machine sur l'étrier de protection.

On peut enficher le turbine dans les perçages hexagonaux prévus dans le cadre de la poignée pour le transporter

► **Avant tous travaux sur l'appareil, en particulier lors du remplacement du mélangeur, débranchez la prise secteur !**

Nettoyez immédiatement la machine et le mélangeur après l'utilisation. Pour le nettoyage du mélangeur, nous recommandons le seau de nettoyage MIXER-CLEAN de Collomix.



Maintenez le coupleur HEXAFIX propre et en bon état.

Une fois le travail achevé, sortez le mélangeur du coupleur.

Graissez régulièrement le logement hexagonal du **coupleur avec une graisse lubrifiante adéquate.**

Gardez la fente d'aération propre et ouverte, afin de garantir un refroidissement suffisant. Une fente d'aération bouchée détruirait la machine.

Veillez à une bonne marche de l'interrupteur Marche/Arrêt et de son dispositif de déverrouillage.

La machine est dotée de charbons qui se mettent automatiquement hors circuit. Une fois la longueur minimale atteinte, la machine se met hors circuit. Faites remplacer les charbons par un service après vente autorisé ou par le service à l'usine de Collomix.

Faites réaliser les réparations uniquement par un atelier reconnu ou par le service de Collomix.

Utilisez uniquement des accessoires et pièces de rechange d'origine de Collomix.

Vous trouverez des vues éclatées, des listes de pièces de rechange et le formulaire de demande de réparation ici: <http://www.collomix.com>

Mise au rebut

L'appareil, les accessoires et l'emballage doivent être éliminés en les apportant dans un réseau de recyclage écologique.

Retirez le câble des outils électriques ayant fait leur temps pour les rendre inutilisables.



Uniquement pour les pays de l'Union Européenne:

N'éliminez pas les outils électriques dans les ordures ménagères.

Conformément à la directive EU 2002/96/CE relative aux appareils électriques et électroniques anciens et à son application dans le droit national, les appareils électriques ne pouvant plus être utilisés doivent être récoltés séparément et recyclés dans le respect de l'environnement.

Dans le cadre des conditions de livraison, le producteur octroie une garantie conformément aux règlements légaux spécifiques au pays. En cas de demande d'application de la garantie, accompagnez-la de la facture ou du bon de livraison.

Les réparations réalisées par des tierces personnes nous dérogent de toute obligation de garantie. En cas d'irrégularités, nous vous prions de nous envoyer la machine. **Les réclamations peuvent uniquement être acceptées lorsque l'appareil est envoyé au service Collomix sans être démonté.**

Les dommages en raison d'une usure normale, de surcharge ou d'accessoires non conformes aux règles de l'art, tout comme en raison d'une maintenance insuffisante restent exclus de la garantie.

Toute modification de la fonction ou de la construction de la machine n'ayant pas été auparavant convenue avec nous entraîne la suppression de la garantie et celle de la déclaration de conformité.

Sous réserve de modifications

Contenu de la livraison

- 1x Mélangeur à main
- 1x Agitateur
- 1x Coupleur Hexafix
- 1x Mode d'emploi
- 1x Consignes de sécurité

Adress de service Etat-Unis et Canada:

Collomix North America Inc.

**648 Crescent Court
Milwaukee, WI 53213**

Phone: 414 471 3883

Fax: 414 918 8032

E-Mail: al.karraker@collomix.com

www.collomix.us

Producteur :

Collomix GmbH

Daimlerstraße 9

D-85080 Gaimersheim

Allemagne

	Xo 1 R	Xo 4 R	Xo 6 R
Potencia nominal/consumo eléctrico:	1010W / 10.0 amps	1300W / 11.8 amps	1600W / 14.5 amps
Tensión:	110-125 voltios AC	110-125 voltios AC	110-125 voltios AC
Frecuencia:	50/60 hz	50/60 hz	50/60 hz
Velocidad de marcha en vacío 1.ª marcha	-900 r.p.m.	- 660 r.p.m.	- 660 r.p.m.
2.ª marcha		- 920 r.p.m.	- 920 r.p.m.
Velocidad bajo carga, 1.ª marcha	- 650 r.p.m.	- 450 r.p.m.	- 410 r.p.m.
2.ª marcha		- 620 r.p.m.	- 580 r.p.m.
Diámetro máx. del mecanismo mezclador:	120 mm / 4¾"	140 (150*) mm / 5½"	„160 mm / 6¼"
Peso sin mecanismo mezclador:	4,5 kg / 11.7 lb	5,4 kg / 13.6 lb	5,4 kg / 15.4 lb
Clase de protección:	□ / II	□ / II	□ / II

Componentes de la máquina

- 1 Desbloqueo para interruptor ON/OFF
- 2 Interruptor ON/OFF
- 3 Selector de marchas (sólo Xo 4 R/Xo 6 R)
- 4 Bastidor de fijación con tope de goma
- 5 Empuñaduras
- 6 Ranuras de ventilación
- 7 Cuello de la máquina
- 8 Eje mezclador
- 9 Adaptador HEXAFIX / Adaptador M-14
- 10 Mecanismo mezclador

Valores de ruido/de vibración

Valores de medición determinados conforme a EN 60745. El nivel de ruido ponderado A de la máquina suele ser de:

	Presión acústica L _{pA} [dB(A)]	Potencia acústica L _{WA} [dB(A)]
Xo 1 R	82 dB(a)	93 dB(A)
Xo 4 R	88 dB(a)	99 dB(A)
Xo 6 R	88 dB(a)	99 dB(A)
	Incertidumbre K = 3 dB	

Valor total de vibración (al mezclar sustancias minerales)

	Tasa de emisión en a _n [m/s ²]
Xo 1 R	2,0 m/s ²
Xo 4 R	2,2 m/s ²
Xo 6 R	2,2 m/s ²
	Incertidumbre K = 1,5 m/s ²

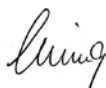
⚠ ADVERTENCIA Los valores de medición indicados son aplicables a máquinas nuevas. En el uso diario los valores de ruido y de vibración varían.

ⓘ AVISO: El nivel de vibraciones indicado en estas instrucciones ha sido medido conforme a un procedimiento de medición normalizado según EN 60745 y puede ser utilizado para establecer una comparación entre herramientas eléctricas. También es apropiado para una evaluación provisional de la carga de vibración. El nivel de vibraciones indicado representa las principales aplicaciones de la herramienta eléctrica. No obstante, si la herramienta eléctrica se emplea para otras aplicaciones, con herramientas intercambiables diferentes o mantenimiento insuficiente, el nivel de vibraciones podrá variar. Esto puede suponer un incremento considerable de la carga de vibración a lo largo de todo el tiempo de trabajo.

Para una estimación exacta de la carga de vibración también se deberán tener en cuenta los tiempos en los que la máquina se halle desconectada o bien en funcionamiento, pero no esté siendo realmente utilizada. Esto puede suponer una reducción considerable de la carga de vibración a lo largo de todo el tiempo de trabajo.

Declaración de conformidad CE

Declaramos, bajo nuestra propia responsabilidad, que este producto cumple las siguientes normas o se ajusta a los productos normativos: EN 55014, EN 61000, EN 60745-1:2009 + EN60745-2-1:2010 según las disposiciones de las directivas 2004/108/CE, 2006/42 CE.



Gaimersheim, 2018-12-04
Alexander Essing
La Dirección

Para solicitar documentación técnica dirigirse a:

Collomix GmbH
Abt. Technische Entwicklung [Dpto. Desarrollo tecnológico]
Daimlerstr. 9, 85080 Gaimersheim, Alemania

Instrucciones de seguridad específicas de la máquina

⚠️ ADVERTENCIA: Rogamos léase todas las indicaciones e instrucciones de seguridad. La inobservancia de las indicaciones e instrucciones de seguridad pueden provocar sacudidas eléctricas, incendios y/o lesiones graves.

Conservar de cara al futuro todas las indicaciones e instrucciones de seguridad.

Sólo será posible manejar la máquina sin peligro si lee detenidamente las instrucciones de uso y seguridad, y sigue de forma estricta las indicaciones. Sólo podrán hacer uso de la máquina las personas que estén familiarizadas con el manual de instrucciones y con las disposiciones en vigor referentes a la seguridad laboral y a la prevención de accidentes.

⚠️ Asimismo, deben respetarse también las instrucciones de seguridad generales adjuntas.

- ▶ La tensión de red debe coincidir con los datos indicados en la placa de identificación.
- ▶ No manejar la máquina en un entorno en el que exista peligro de explosión. No mezclar disolventes altamente inflamables o sustancias que contengan disolventes con un punto de inflamación por debajo de los 21°C/69°F.
- ▶ Evitar las salpicaduras de líquido sobre la carcasa del motor y su exposición a la lluvia, ¡peligro de electrocución!
- ▶ Bajo ningún concepto limpiar la máquina con agua - ¡peligro de electrocución!
- ▶ Mantener los cables alejados del cuerpo.
- ▶ No utilizar la máquina si el cable está dañado. No tocar el cable y desenchufar inmediatamente la máquina. Los cables dañados aumentan el riesgo de sufrir una sacudida eléctrica. En caso de requerirse la sustitución (por daño o similar) del cable de conexión de red, habrá de ser efectuada por el fabricante o por un representante autorizado (electricista profesional) a fin de evitar riesgos para la seguridad.
- ▶ Al trabajar con la máquina sujetarla siempre con ambas manos firmemente y manteniendo una posición segura.
- ▶ Sujetar la máquina por las correspondientes superficies aisladas al realizar trabajos en los que la herramienta intercambiable pueda alcanzar cables de corriente ocultos o el cable de red. El contacto con un cable bajo tensión también puede activar piezas metálicas de la máquina y provocar una descarga eléctrica.
- ▶ Antes de la puesta en servicio, comprobar el correcto alojamiento de la barra agitadora, así como su perfecta marcha concéntrica.
- ▶ Arrancar/detener la máquina sólo si ésta se halla introducida en el recipiente. Asegurarse de que el

recipiente esté bien sujeto y no se mueva.

- ▶ No introducir las manos u objetos en el recipiente cuando se esté trabajando con la máquina. ¡Peligro de aplastamiento!
- ▶ Hacer funcionar la máquina y el agitador sólo en perfecto estado. No utilice agitadores dañados, doblados o desgastados.
- ▶ Esperar hasta que la máquina o bien la herramienta se haya detenido. Las herramientas rotatorias pueden quedar enganchadas y provocar lesiones o daños.
- ▶ ¡En caso de que el nivel de presión acústica supere los 85 dB (A) en la zona de trabajo, será preciso llevar cascos de protección!
- ▶ A la hora de trabajar con la mezcladora, se recomienda llevar guantes de trabajo y gafas de protección. Es imprescindible llevar ropa de trabajo pegada al cuerpo
- ▶ Llevar puesta mascarilla como protección frente a polvos insolubles desprendidos durante el proceso de mezcla. Algunas sustancias minerales se consideran carcinógenas. Si es posible, utilizar un sistema de aspiración de polvo.
- ▶ Conectar siempre el aparato a través de un dispositivo diferencial (DR) con una corriente de reacción de 30 mA o inferior.



¡Leer y tener en cuenta el manual de instrucciones antes de la puesta en servicio del aparato!



Llevar puestas gafas protectoras y protección para los oídos al trabajar.



Se recomienda el uso de una mascarilla al realizar trabajos que generen gran cantidad de polvo.



Llevar puestos guantes de protección al trabajar.

ES Uso adecuado

La máquina sirve para mezclar sustancias líquidas y pulverizadas como pinturas, morteros, pastas adhesivas, revoques y sustancias parecidas. Dependiendo de la consistencia del material y la cantidad a mezclar, se deberá emplear el mecanismo adecuado con el efecto correspondiente.

A la hora de escoger el tipo de mecanismo (diámetro/efecto de mezcla), tener en cuenta los datos especificados en el apartado de datos técnicos. La elección de un efecto de mezcla o de un diámetro inapropiado del mecanismo mezclador puede provocar la sobrecarga de la máquina/engranaje y, como consecuencia, daños. Tener en cuenta que un mecanismo mezclador con un efecto de mezcla de arriba hacia abajo somete a la herramienta eléctrica a una mayor sollicitación que a la inversa.

Debido a los elevados pares de giro de la máquina no se permite utilizarla como taladradora.

No se permite el uso de la máquina para la preparación de alimentos.

La máquina no está indicada para mezclar materiales que contengan polvo de grafito, álcalis salinos o purín. La mezcla de estas sustancias puede destruir la máquina.

Montaje

► **Antes de efectuar cualquier trabajo en la máquina, desenchufarla de la toma de corriente.**

Montaje del alojamiento del mecanismo mezclador:

Atornillar el acoplamiento HEXAFIX, que se adjunta con el embalaje, o bien el adaptador M-14, a la rosca exterior del eje mezclador.

Montaje del mecanismo mezclador / Cambio de herramienta:

HEXAFIX (Fig. A)

Introducir el mecanismo mezclador con alojamiento HEXAFIX en el acoplamiento hasta que se bloquee. Para soltar, así como para cambiar el mecanismo mezclador, empujar hacia atrás el manguito en el acoplamiento hasta que se suelte el mecanismo. (Fig. C)

M-14 (Fig. B)

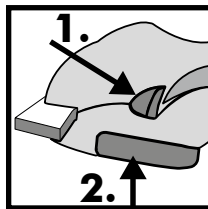
Atornillar el mecanismo mezclador con rosca exterior M-14 en el adaptador M-14 del eje mezclador. El mecanismo mezclador se reaprieta durante el funcionamiento.

Para soltar el mecanismo mezclador sárvase de una llave de boca del 22 y del 24 respectivamente. Colocar una llave junto al adaptador y la otra, junto al alojamiento hexagonal; aplicar en sentido contrario hasta que el mecanismo mezclador se suelte.

Servicio

► **Comprobar si la tensión de red coincide con la tensión indicada en la placa de identificación.**

Sostener la máquina siempre con ambas manos.



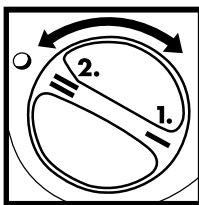
Presionar el botón que bloquea la conexión (1).

Presionar el interruptor ON/OFF (2).

La velocidad de la máquina aumentará según la fuerza de apriete del interruptor ON/OFF.

¡No se puede bloquear el interruptor ON/OFF!

Trabajar siempre con el interruptor ON/OFF completamente presionado.



Para terminar de trabajar, soltar el interruptor ON/OFF.

Las máquinas con engranaje de dos marchas (Xo4/Xo6) disponen de dos velocidades máximas (1.ª marcha lenta/2.ª marcha rápida).

Girar el selector de marchas 180° para cambiar de marcha.

Accionar sólo si la máquina está parada

Consejos para un trabajo seguro:

Trabajar con velocidad reducida a la hora de introducir o extraer la máquina en el/del recipiente. Una vez introducida la máquina por completo en el recipiente, aumentar la velocidad al máximo para garantizar que el motor se refrigere lo suficiente.

Desplazar la máquina por el recipiente durante el proceso de mezcla. Trabajar el material hasta que haya alcanzado el grado de mezcla adecuado. Observar las instrucciones dadas por los fabricantes de materiales.

Funcionan mejor y son más seguros cuando el agitador utilizado está limpio, libre de residuos de materiales y en perfecto estado.

Tener presente al trabajar que cuanto más viscoso el material a mezclar mayores serán las fuerzas de par que actúen sobre la máquina.

Se podrá producir un retroceso si estando en marcha el mecanismo mezclador, éste da contra una superficie (p. ej., base de la cuba).

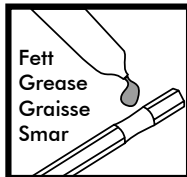
Al terminar de trabajar, detener la máquina sobre el estribo de protección.

El mecanismo mezclador HEXFIX puede sujetarse mediante la perforación hexagonal prevista en el bastidor de fijación.

Cuidados y mantenimiento

- **¡Desenchufar el cable antes de realizar cualquier trabajo en la máquina, sobre todo cuando deba cambiar el mecanismo!**

Limpie inmediatamente la máquina y el mecanismo. Para limpiar el mecanismo mezclador recomendamos el cubo de limpieza MIXER-CLEAN de Collomix.



Mantener el acoplamiento HEXAFIX limpio y en perfecto estado.

Extraer del acoplamiento el mecanismo mezclador al terminar de trabajar.

Lubricar periódicamente el alojamiento hexagonal del **acoplamiento con una grasa adecuada. Mantener limpias y**

abiertas las ranuras de ventilación a fin de garantizar una refrigeración suficiente. Unas ranuras de ventilación cerradas provocan la destrucción de la máquina.

Prestar atención a la suavidad de funcionamiento del interruptor ON/OFF y a su desbloqueo.

La máquina está equipada con carbones para la desconexión automática. Al alcanzar la longitud mínima, la máquina se desconecta automáticamente. Los carbones sólo deben ser cambiados por el servicio posventa autorizado o por el servicio técnico de Collomix.

Las reparaciones sólo deben ser efectuadas por un taller acreditado o por el servicio técnico de Collomix.

Utilizar sólo accesorios y piezas de repuesto originales de Collomix.

Encontrará vistas desarrolladas, listas de piezas de repuesto y el formulario para pedidos de reparación en: <http://www.collomix.com>

Eliminación

Es conveniente reciclar la máquina, los accesorios y el embalaje.

Inutilizar las herramientas eléctricas que estén fuera de uso retirando el cable de red.



Sólo para los países de la UE:

No tirar las herramientas eléctricas a la basura doméstica.

Según la directiva de la UE 2002/96/CE sobre residuos de aparatos eléctricos y electrónicos y su aplicación al derecho nacional, las herramientas eléctricas inservibles deben ser recogidas selectivamente y ser recicladas de forma ecológica.

Garantía

En el marco de las condiciones de entrega, el fabricante concede la garantía conforme a las disposiciones legales/específicas del país en cuestión. Por favor, adjunte la factura o el albarán en caso de hacer uso de la garantía.

Las reparaciones llevadas a cabo por terceras personas nos eximen de la obligación correspondiente de garantía. En caso de anomalías, rogamos no envíen a nosotros la máquina. **Se aceptarán las reclamaciones si la máquina se devuelve sin desmontar al servicio técnico de Collomix.**

Los daños que se produzcan por desgaste normal, así como sobrecarga, uso incorrecto, accesorios inapropiados o mantenimiento insuficiente no se contemplarán en la garantía.

Las modificaciones estructurales o funcionales llevadas a cabo en la máquina sin aclaración previa con nosotros llevan aparejadas la extinción de la garantía, así como de la declaración de conformidad.

Reservado el derecho a realizar modificaciones

Volumen de entrega

- 1x Mezcladora manual
- 1x Mezclador
- 1x Adaptador HEXAFIX
- 1x Manual de servicio
- 1x Instrucciones de seguridad

Servicio USA e Canada:

Collomix North America Inc.

648 Crescent Court

Milwaukee, WI 53213

Phone: 414 471 3883

Fax: 414 918 8032

E-Mail: al.karraker@collomix.com

www.collomix.us

Fabricante:

Collomix GmbH

Daimlerstraße 9

85080 Gaimersheim

Alemania

Collomix GmbH
Daimlerstraße 9
85080 Gaimersheim, Germany
info@collomix.de
www.collomixna.com

