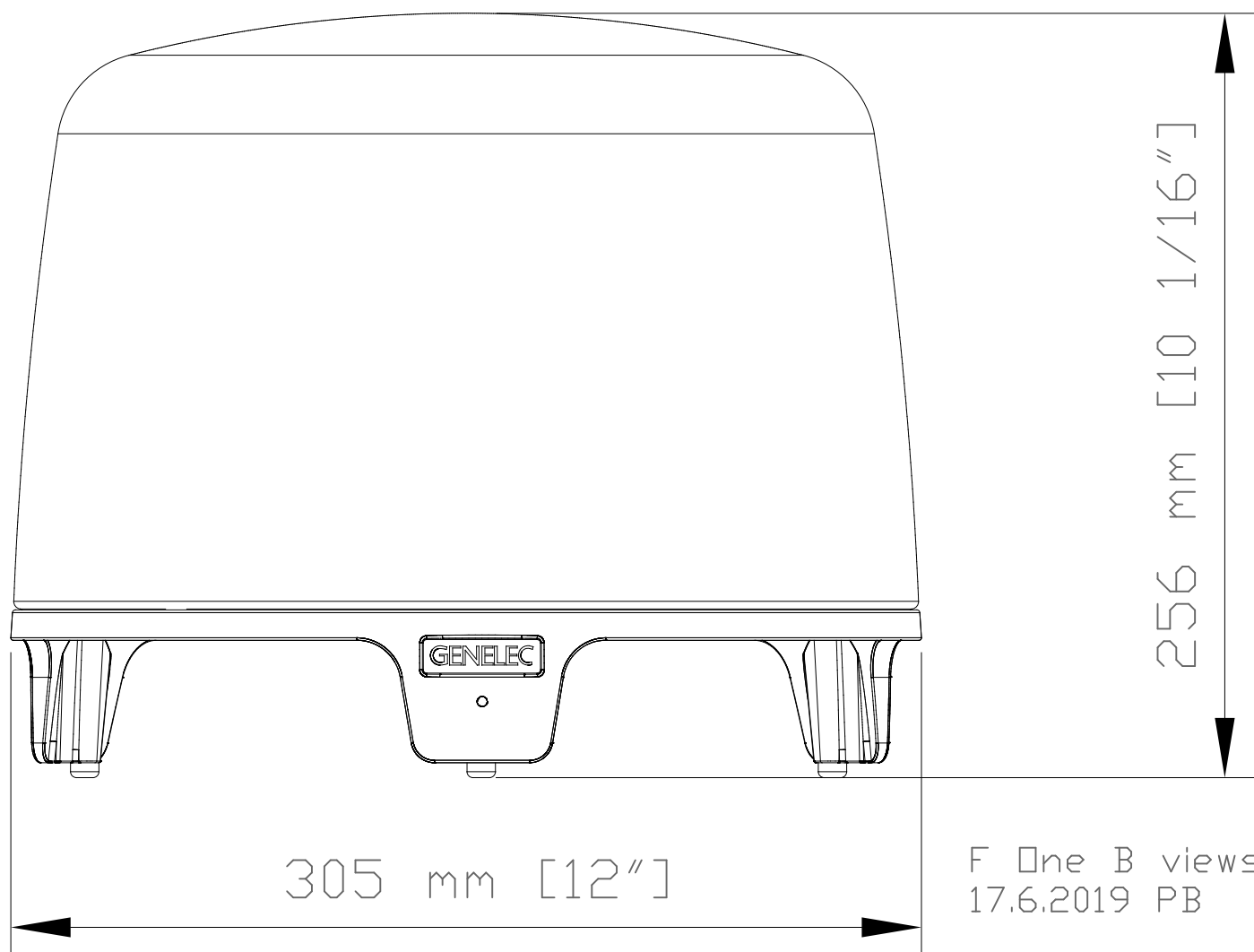


M4, depth 10 (3 pcs)

PCD  $\varnothing 289.5$  mm [ $\varnothing 11 \frac{3}{8}$ "]



F One B views  
17.6.2019 PB