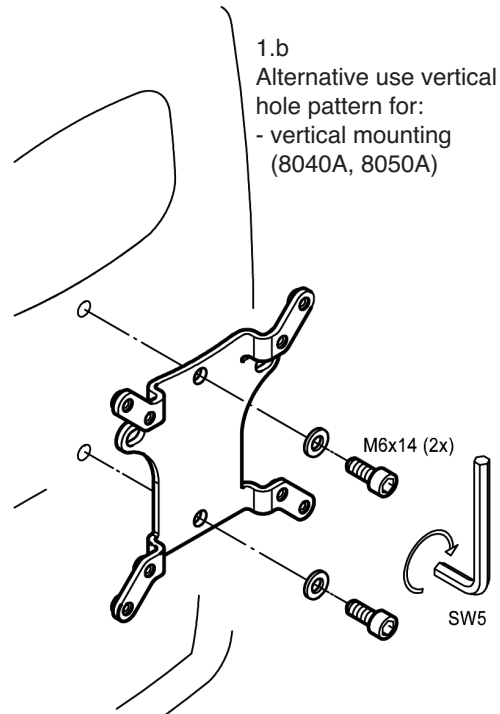
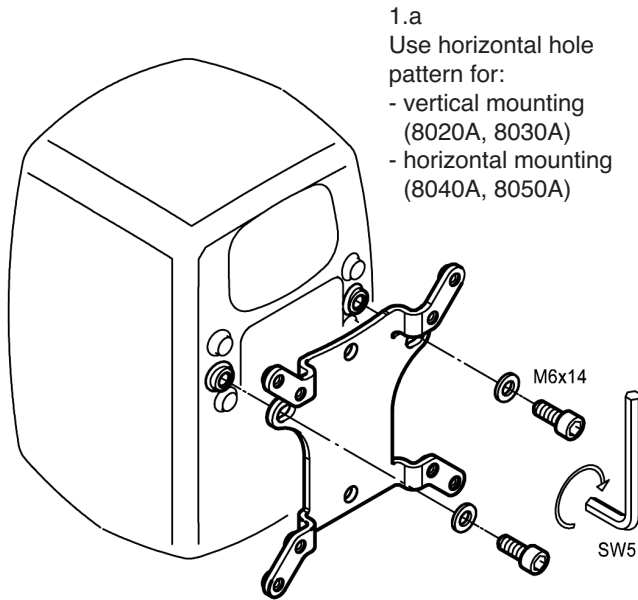


VESA ADAPTOR-PLATE 8000-437B for GENELEC 8000 Series

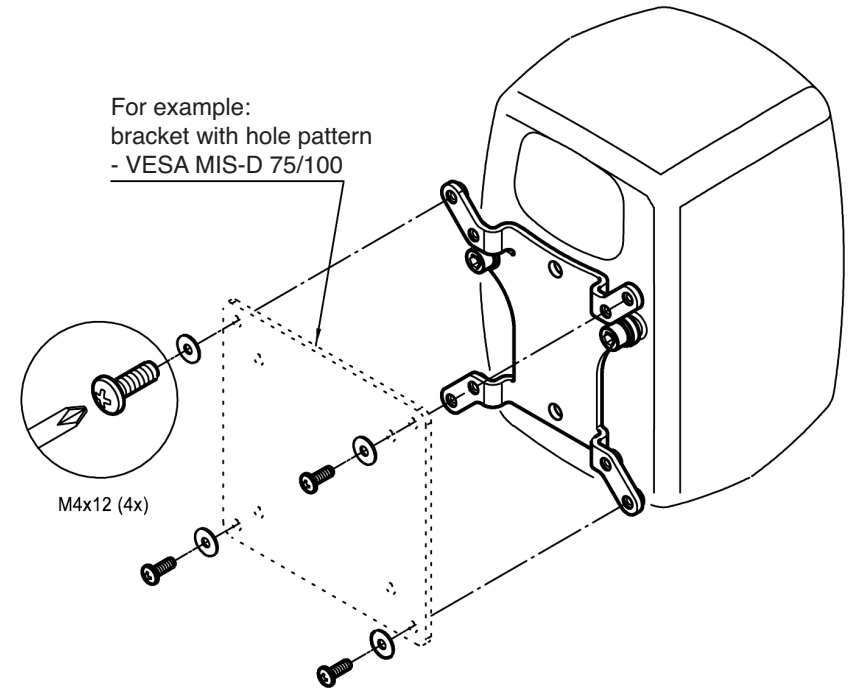
max. load 15 kg,
VESA MIS-D 75/100

Instruction Manual

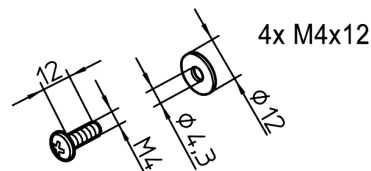
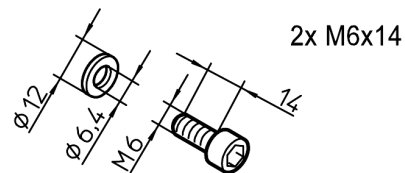
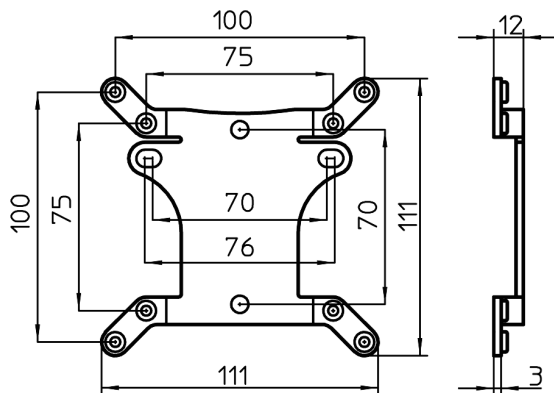
1. Fix adaptor plate onto GENELEC monitor by tightening two allen screws M6 x 14 mm and washers



2. Fix adaptor plate on a qualified wall/ceiling/stand-bracket by tightening four recessed head screws M4x12 and washers



Dimensions (mm)



Safety Instructions

- Max.load capacity: 15 kg.
- Use four screws for fixing on a bracket.
- Do NOT use Vesa-Adaptor for direct wall fastening;
ONLY in combination with a qualified wall/ceiling/stand-bracket.
- Inspect bolted assemblies periodically
- For indoor use only