

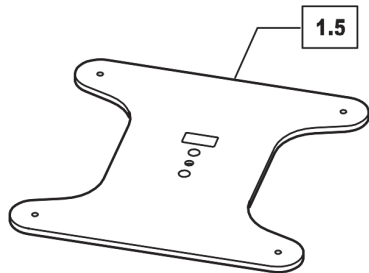
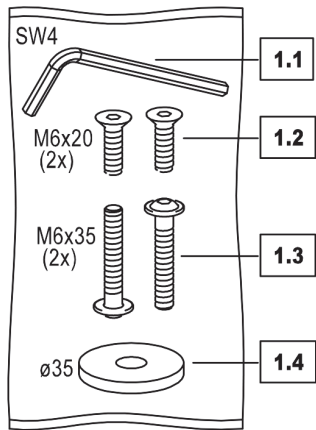
S360-408B Stand Plate for GENELEC S360

Instruction manual

1. Scope of delivery

Please check if all the components are there and o.k.

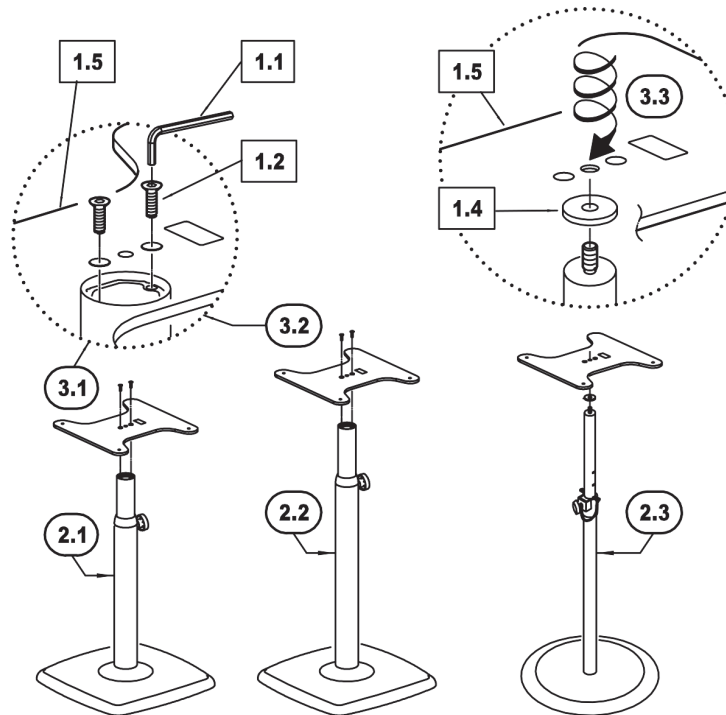
- 1.1 - allen wrench, width 4 mm
- 1.2 - countersunk screw M6 x 20 mm (2x)
- 1.3 - pan head screw M6 x 35 mm (2x)
- 1.4 - washer ϕ 10/35 mm &
- 1.5 - plate 360 x 360 x 8 mm



2. Usage & 3. Mounting

The Stand Plate suits to:

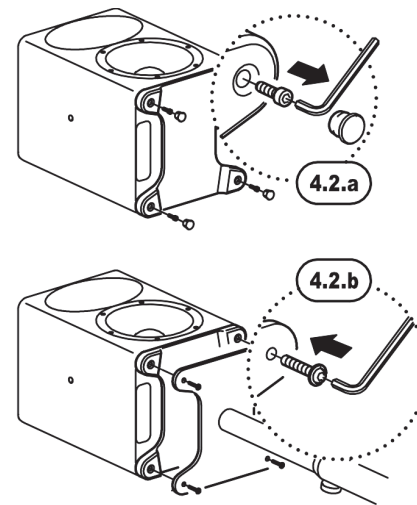
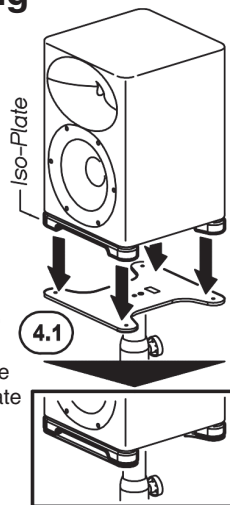
- 2.1 Floor stand S360-415B (#26791 - M6/45 mm/M6) Height: 644-1044 mm
- 3.1 Bolt the plate (1.5) to the extension rod of the floor stand. Use two countersunkscrews (1.2) and allen wrench (1.1).
- 2.2 Floor stand 8260-415B (#26795 - M6/45 mm/M6) Height: 794-1344 mm
- 3.2 see 3.1
- 2.3 Floor stand 8000-409B (#26741 - 3/8"x12 mm) Height: 950-1430 mm
- 3.3 Place the washer (1.4) and screw on the Stand Plate (1.5) to the threaded bolt of the Floor Stand



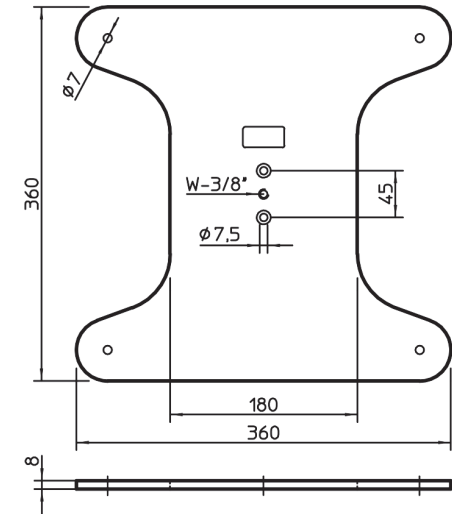
4. Monitor mounting

There are two ways to place the S360 on the Stand Plate

- 4.1 WITHOUT screw connection: Position the S360 via Iso-Plate on the Stand plate
- 4.2 WITH screw connection:
 - a. First remove the four caps below the Iso-Plate and then unscrew the four socket head screws (M6x20)
 - b. Now bolt the pan head screws (1.3) together with the Stand Plate (1.5), the Iso-Plate and the monitor S360 using the allen wrench (1.1).



5. Dimensions



Safety instructions

- For GENELEC S360
- Check for damage prior to and after use. Damaged Stand Plates may not be used again.
- Not suitable for outdoors or moist rooms.
- Ensure that the screws are tight and load-bearing
- Inspect bolted assemblies periodically
- External influences such as bumping into the monitor, brushing into the monitor, things thrown at the monitor, wind etc. represent a risk and must be avoided.
- Measures: Compliance with safety distances, keeping unauthorized persons at a distance, if needed put safety cordons.
- The instructions provide directions to all of the important setup and handling steps. We recommend, you keep these instructions for future reference.
- Also observe INSTRUCTION MANUAL and SAFETY INSTRUCTIONS of the used Floor Stands: S360-415B, 8260-415B, 8000-409B.