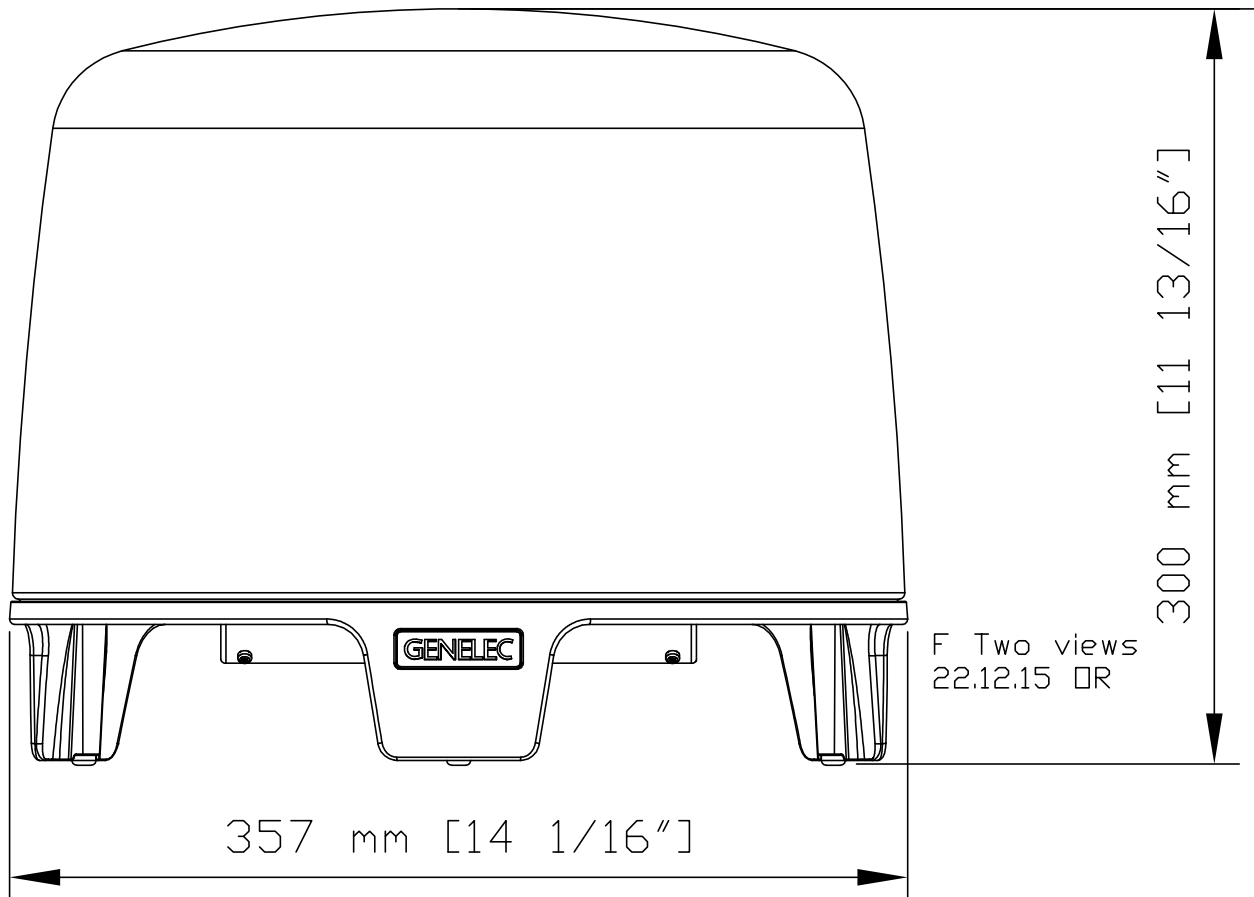


M4, depth 10 (3 pcs)

PCD $\varnothing 344$ mm [$\varnothing 13 \frac{9}{16}$ "]



F Two views
22.12.15 DR