

# INDUSTRIAL PLUGS & SOCKETS



- IEC/EN 60309
- IP44 Quick Fit Range
- IP67 Quick Fit Range
- Plug & Couplers
- Wall Sockets
- Panel Sockets
- Switched Interlocked Sockets
- Splitters



## CONTENTS

### IP44 - QUICK FIT RANGE

Introduction .....	2
Plugs - IP44 .....	3
Couplers - IP44 .....	3
Wall/Surface Sockets - IP44 .....	4
Appliance Inlets - IP44 .....	4
Angled Panel Sockets - IP44 .....	5
Straight Panel Sockets - IP44 .....	5
Interlocked Switched Sockets - IP44. Surface Mount - Horizontal .....	6
RCD Facility Interlocked Switched Sockets - IP44 Surface Mount - Vertical .....	6

### IP67 - QUICK FIT RANGE

Introduction .....	7
Plugs - IP67 .....	8
Couplers - IP67 .....	8
Wall/Surface Sockets - IP67 .....	9
Angled Panel Sockets - IP67 .....	10
Straight Panel Sockets - IP67 .....	10
3-Way Splitter Units - IP67 .....	11
3-Way Splitter Units - IP67 .....	11
Adaptor .....	11
Extension Leads - IP44 .....	12
Plugs - IP44 .....	12
Couplers - IP44 .....	13
Wall Mounted Sockets - IP44 .....	13

## IP44 - QUICK FIT RANGE

### Introduction

The NEW range of MCG Quick Fit IP44 plugs and sockets offer the perfect solution for most commercial and industrial applications from 16 Amps to 32 Amps with 110V, 240V and 415V options.

#### Features:

- Manufactured from thermoplastic - suitable for general use
- Quick release feature
- Fast and simple assembly and wiring, cuts time and costs
- Ergonomic grip
- Corrosion and impact resistant
- Colour coded for fast identification of operating voltage
- Safe and reliable
- Typical operating temperature
- Screwless cable grip
- IP44 rated

All the range fully conforms to IEC 60309.

The quick fit range are time saving and manufactured to the highest quality and specifications.



LOCKING TAB - LIFT WITH SCREWDRIVER



TWIST TO RELEASE



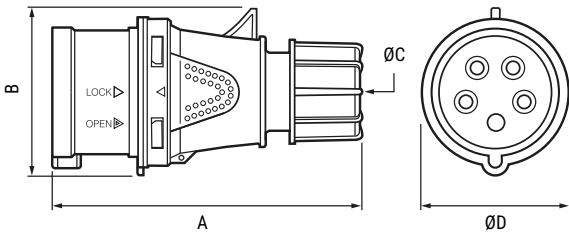
SEPARATED UNIT READY FOR WIRING



IN-LINE TERMINALS FOR SPEED OF CONNECTING

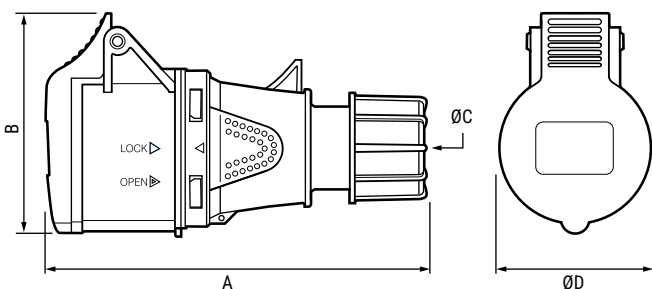
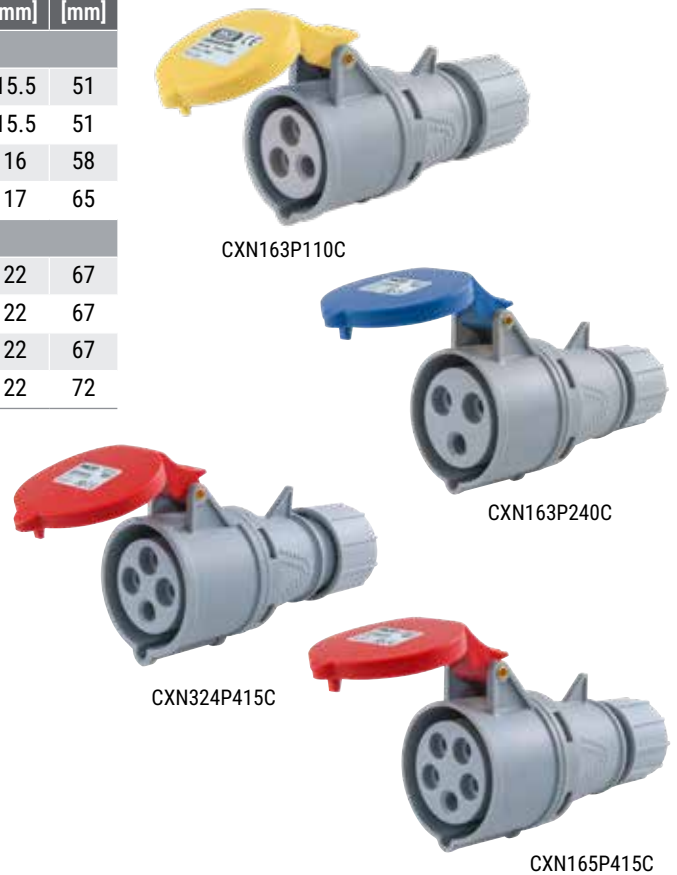
**PLUGS - IP44**

Code	Ref No.	Voltage	Poles	Pins	A [mm]	B [mm]	ØC [mm]	ØD [mm]
<b>16 Amp</b>								
2070-9208	CXN163P110P	110V	2P+E	3	124	58	15.5	51
2073-6742	CXN163P240P	240V	2P+E	3	124	58	15.5	51
2070-9211	CXN164P415P	415V	3P+E	4	133	65.5	15.5	58.5
2070-9214	CXN165P415P	415V	3P+N+E	5	136	73.5	17	64.5
<b>32 Amp</b>								
2070-9217	CXN323P110P	110V	2P+E	3	153.5	78	22	66.5
2070-9220	CXN323P240P	240V	2P+E	3	153.5	78	22	66.5
2070-9229	CXN324P415P	415V	3P+E	4	153.5	78	22	66.5
2070-9232	CXN325P415P	415V	3P+N+E	5	159.5	82.5	22	74



**COUPLERS - IP44**

Code	Ref No.	Voltage	Poles	Pins	A [mm]	B [mm]	ØC [mm]	ØD [mm]
<b>16 Amp</b>								
2070-9223	CXN163P110C	110V	2P+E	3	135	77	15.5	51
2070-9226	CXN163P240C	240V	2P+E	3	135	77	15.5	51
2070-9235	CXN164P415C	415V	3P+E	4	143	83	16	58
2070-9238	CXN165P415C	415V	3P+N+E	5	147	90	17	65
<b>32 Amp</b>								
2070-9241	CXN323P110C	110V	2P+E	3	167	96	22	67
2070-9244	CXN323P240C	240V	2P+E	3	167	96	22	67
2070-9247	CXN324P415C	415V	3P+E	4	167	96	22	67
2070-9250	CXN325P415C	415V	3P+N+E	5	173	101	22	72

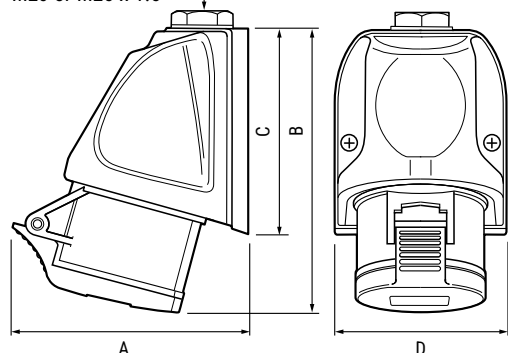


## WALL/SURFACE SOCKETS - IP44

Code	Ref No.	Voltage	Poles	Pins	A [mm]	B [mm]	C [mm]	D [mm]	Gland [mm]
<b>16 Amp</b>									
2297-1400	CXN163P110W20	110V	2P+E	3	98	124	86	74.5	20
2297-1403	CXN163P240W20	240V	2P+E	3	98	124	86	74.5	20
2300-8096	CXN164P415W20	415V	3P+E	4	96.5	125.5	86	74.5	20
2299-8727	CXN165P415W25	415V	3P+N+E	5	115	138	100	85	25
<b>32 Amp</b>									
2070-9163	CXN323P110W	110V	2P+E	3	116	149	100	85	25
2302-9585	CXN323P240W25	240V	2P+E	3	116	149	100	85	25
2299-8733	CXN324P415W25	415V	3P+E	4	116	149	100	85	25
2299-8736	CXN325P415W25	415V	3P+N+E	5	118	151	100	85	25



M20 or M25 x 1.5



COMPONENT PARTS

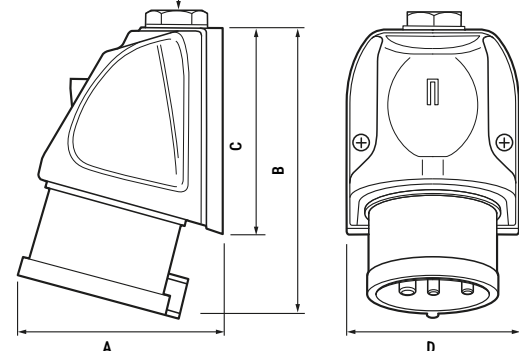


## APPLIANCE INLETS - IP44

Code	Ref No.	Voltage	Poles	Pins	A [mm]	B [mm]	C [mm]	D [mm]	Gland [mm]
<b>16 Amp</b>									
2365-5577	CXN163P110AIWP	110V	2P+E	3	74.5	114	86	74.5	20
2365-5580	CXN163P240AIWP	240V	2P+E	3	74.5	114	86	74.5	20
2365-5583	CXN164P415AIWP	415V	3P+E	4	75	118	86	74.5	20
2365-5586	CXN165P415AIWP	415V	3P+N+E	5	92.5	130	100	85	25
<b>32 Amp</b>									
2365-5589	CXN323P110AIWP	110V	2P+E	3	91.5	140	100	85	25
2365-5592	CXN323P240AIWP	240V	2P+E	3	91.5	140	100	85	25
2365-5595	CXN324P415AIWP	415V	3P+E	4	91.5	140	100	85	25
2365-5604	CXN325P415AIWP	415V	3P+N+E	5	94.5	141	100	85	25



M20 or M25 x 1.5



## ANGLED PANEL SOCKETS - IP44

- Complete with gasket

Code	Ref No.	Voltage	Poles	Pins	A [mm]	B [mm]	C [mm]	D [mm]
<b>16 Amp</b>								
2070-9148	CXN163P110PA	110V	2P+E	3	86.5	75.5	33.5	48
2070-9175	CXN163P240PA	240V	2P+E	3	86.5	75.5	33.5	48
2070-9178	CXN164P415PA	415V	3P+E	4	86.5	75.5	34.5	48.5
2070-9181	CXN165P415PA	415V	3P+N+E	5	86.5	75.5	35	50
<b>32 Amp</b>								
2070-9184	CXN323P110PA	110V	2P+E	3	86.5	75.5	45.5	53.5
2070-9190	CXN323P240PA	240V	2P+E	3	86.5	75.5	45.5	53.5
2070-9193	CXN324P415PA	415V	3P+E	4	86.5	75.5	45.5	53.5
2070-9196	CXN325P415PA	415V	3P+N+E	5	90	80	46.5	54.5



CXN163P110PA



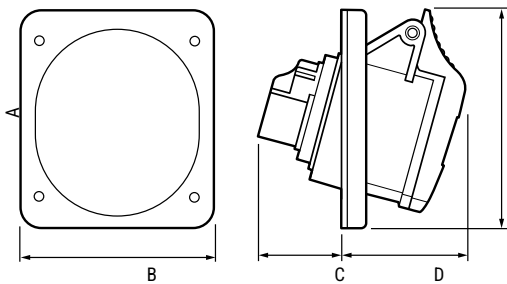
CXN163P240PA



CXN164P415PA



CXN165P415PA



## STRAIGHT PANEL SOCKETS - IP44

- Complete with gasket

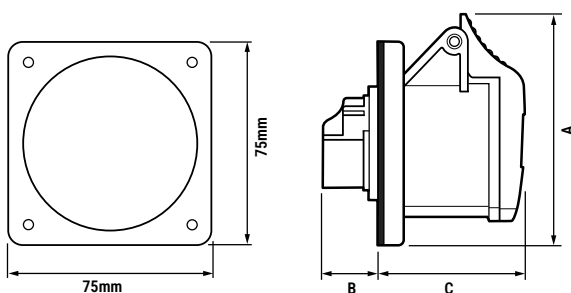
Code	Ref No.	Voltage	Poles	Pins	A [mm]	B [mm]	C [mm]
<b>16 Amp</b>							
2070-9187	CXN163P110PS	110V	2P+E	3	86	20.5	53.5
2070-9199	CXN163P240PS	240V	2P+E	3	86	20.5	53.5
<b>32 Amp</b>							
2070-9202	CXN323P110PS	110V	2P+E	3	95.5	26	63.5
2070-9205	CXN323P240PS	240V	2P+E	3	95.5	26	63.5



CXN163P110PS



CXN323P240PS



## INTERLOCKED SWITCHED SOCKETS - IP44

### Surface Mount - Horizontal

- All the range fully conforms to IEC 60309-4

Code	Ref No.	Voltage	Poles	Pins	A [mm]	B [mm]	C [mm]
<b>16 Amp</b>							
1453-9162	CX163P110SIS	110V	2P+E	3	120	167	108
1453-9165	CX163P240SIS	240V	2P+E	3	120	167	108
1453-9168	CX164P415SIS	415V	3P+E	4	120	167	111.5
1453-9171	CX165P415SIS	415V	3P+N+E	5	120	167	112
<b>32 Amp</b>							
1453-9174	CX323P240SIS	240V	2P+E	3	120	167	118
1453-9177	CX324P415SIS	415V	3P+E	4	120	167	118
1453-9180	CX325P415SIS	415V	3P+N+E	5	120	167	120.5



CX163P110SIS



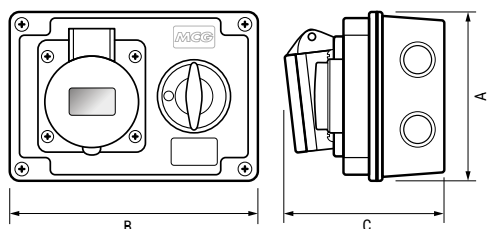
CX323P240SIS



CX164P415SIS



CX325P415SIS



## RCD FACILITY INTERLOCKED SWITCHED SOCKETS - IP44

### Surface Mount - Vertical

- Complete with RCD compartment (RCD not included)
- Includes M20 and M25 glands
- All the range fully conforms to IEC 60309-1/2/4

Code	Ref No.	Voltage	Poles	Pins	A [mm]	B [mm]	C [mm]
<b>16 Amp</b>							
2707-7287	CX163P240SISCOMP	240V	2P+E	3	255	166	121.1
2707-7290	CX164P415SISCOMP	415V	3P+E	4	255	166	115.3
2707-7293	CX165P415SISCOMP	415V	3P+N+E	5	255	166	115.6
<b>32 Amp</b>							
2707-7296	CX323P240SISCOMP	240V	2P+E	3	255	166	121.4
2707-7299	CX324P415SISCOMP	415V	3P+E	4	255	166	121.6
2707-7302	CX325P415SISCOMP	415V	3P+N+E	5	255	166	122.6



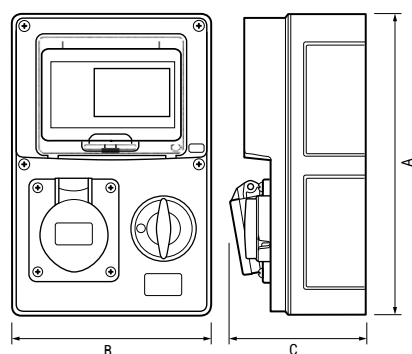
CX163P240SISCOMP



CX163P240SISCOMP



CX164P415SISCOMP



## IP67 - QUICK FIT RANGE

### Introduction

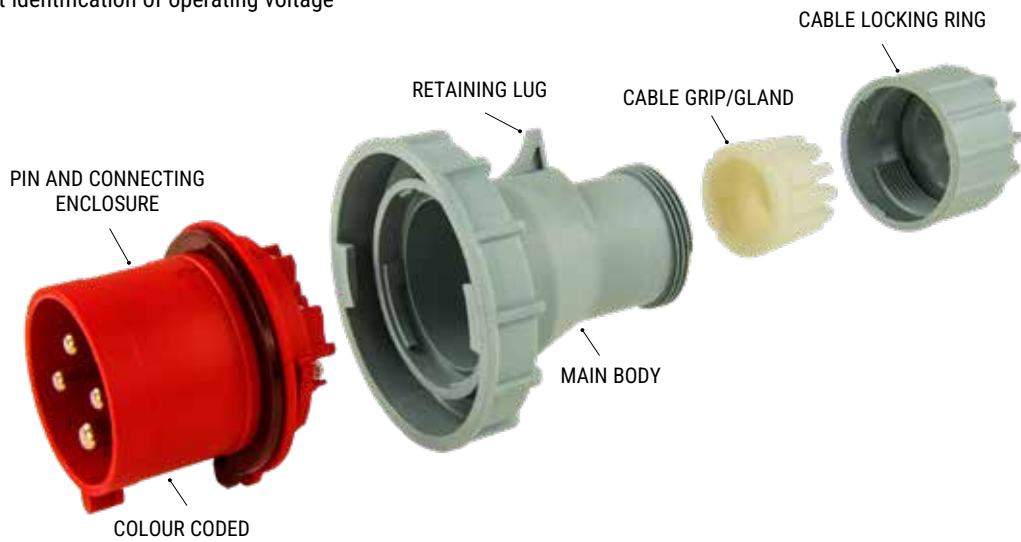
The NEW range of MCG Quick Fit IP67 plugs and sockets offer the perfect solution for most commercial and industrial applications from 16 Amps to 125 Amps, in 110V, 230V and 415V options.

All fully conform to IEC 60309.

The quick fit range are time saving and manufactured to the highest quality and specification.

#### Features:

- Manufactured from thermoplastic - suitable for general use
- Quick release feature
- Fast and simple assembly and wiring, cuts time and costs
- Typical operating temperature -25°C to 50°C
- Ergonomic grip
- Corrosion and impact resistant
- Colour coded for fast identification of operating voltage
- Safe and reliable
- Screwless cable grip
- IP67 rated



LOCKING TAB - LIFT WITH SCREWDRIVER



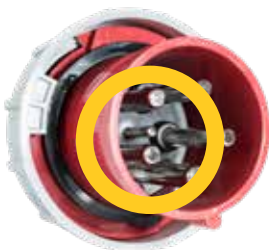
TWIST TO RELEASE



SEPARATED UNIT READY FOR WIRING



IN-LINE TERMINALS FOR SPEED OF CONNECTING



CENTRE GUIDE PIN  
(for 63A & 125A ONLY)



CENTRE GUIDE PIN LOCATION  
HOLE (FOR 63A & 125A ONLY)



PLUG AND SOCKET CONNECTED  
SHOWING RETAINING LUG OPERATION

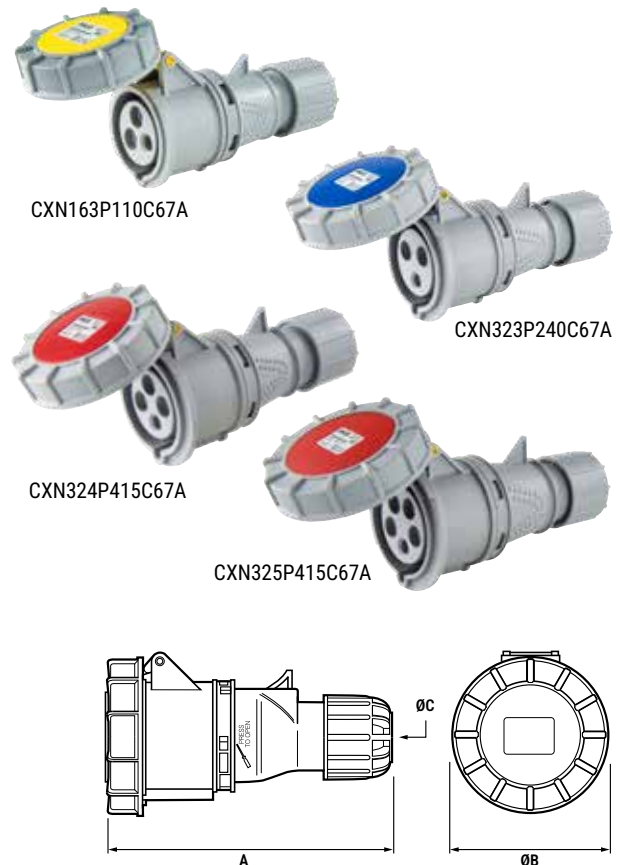
## PLUGS - IP67

Code	Ref No.	Voltage	Poles	Pins	A [mm]	ØB [mm]	ØC [mm]
<b>16 Amp</b>							
2570-5225	CXN163P110P67A	110V	2P+E	3	124	71	15.5
2570-5234	CXN163P240P67A	240V	2P+E	3	124	71	15.5
2570-5243	CXN164P415P67A	415V	3P+E	4	133	79	15.5
2570-5423	CXN165P415P67A	415V	3P+N+E	5	136	87	17
<b>32 Amp</b>							
2570-5225	CXN323P110P67A	110V	2P+E	3	153.5	93	22
2570-5234	CXN323P240P67A	240V	2P+E	3	153.5	93	22
2570-5243	CXN324P415P67A	415V	3P+E	4	153.	93	22
2570-5423	CXN325P415P67A	415V	3P+N+E	5	159.5	100.5	22
<b>63 Amp</b>							
2073-6865	CXN633P240P67	240V	2P+E	3	260	113.5	32
2073-6880	CXN634P415P67	415V	3P+E	4	260	113.5	32
2073-6895	CXN635P415P67	415V	3P+N+E	5	260	113.5	32
<b>125 Amp</b>							
2073-6682	CXN1253P240P67	240V	2P+E	3	309	127	45
2073-6697	CXN1254P415P67	415V	3P+E	4	309	127	45
2073-6712	CXN1255P415P67	415V	3P+N+E	5	309	127	45



## COUPLERS - IP67

Code	Ref No.	Voltage	Poles	Pins	A [mm]	ØB [mm]	ØC [mm]
<b>16 Amp</b>							
2570-5222	CXN163P110C67A	110V	2P+E	3	138	71	15.5
2570-5231	CXN163P240C67A	240V	2P+E	3	138	71	15.5
2570-5240	CXN164P415C67A	415V	3P+E	4	146	79	15.5
2570-5420	CXN165P415C67A	415V	3P+N+E	5	151	87	17
<b>32 Amp</b>							
2570-5429	CXN323P110C67A	110V	2P+E	3	170	93	22
2570-5438	CXN323P240C67A	240V	2P+E	3	170	93	22
2570-5447	CXN324P415C67A	415V	3P+E	4	170	93	22
2570-5456	CXN325P415C67A	415V	3P+N+E	5	176	100.5	22
<b>63 Amp</b>							
2073-6862	CXN633P240C67	240V	2P+E	3	270	111	32
2073-6877	CXN634P415C67	415V	3P+E	4	270	111	32
2073-6892	CXN635P415C67	415V	3P+N+E	5	270	111	32
<b>125 Amp</b>							
2073-6679	CXN1253P240C67	240V	2P+E	3	328	127	45
2073-6694	CXN1254P415C67	415V	3P+E	4	328	127	45
2073-6709	CXN1255P415C67	415V	3P+N+E	5	328	127	45



**WALL/SURFACE SOCKETS - IP67**

- Complete with gland

Code	Ref No.	Voltage	Poles	Pins	A [mm]	B [mm]	C [mm]
<b>16 Amp</b>							
2570-5228	CXN163P110W67A	110V	2P+E	3	88	135	90.5
2570-5237	CXN163P240W67A	240V	2P+E	3	88	135	90.5
2570-5246	CXN164P415W67A	415V	3P+E	4	90.5	136	90.5
2570-5426	CXN165P415W67A	415V	3P+N+E	5	108.5	145.5	90.5
<b>32 Amp</b>							
2570-5435	CXN323P110W67A	110V	2P+E	3	114	156.5	105
2570-5444	CXN323P240W67A	240V	2P+E	3	114	156.5	105
2570-5453	CXN324P415W67A	415V	3P+E	4	114	156.5	105
2570-5462	CXN325P415W67A	415V	3P+N+E	5	118	158	105
<b>63 Amp</b>							
2073-6874	CXN633P240W67	240V	2P+E	3	175	230	118
2073-6889	CXN634P415W67	415V	3P+E	4	175	230	118
2073-6904	CXN635P415W67	415V	3P+N+E	5	175	230	118
<b>125 Amp</b>							
2073-6691	CXN1253P240W67	240V	2P+E	3	165	330	160
2073-6706	CXN1254P415W67	415V	3P+E	4	165	330	160
2073-6721	CXN1255P415W67	415V	3P+N+E	5	165	330	160



CXN163P110W67A



CXN323P240W67A

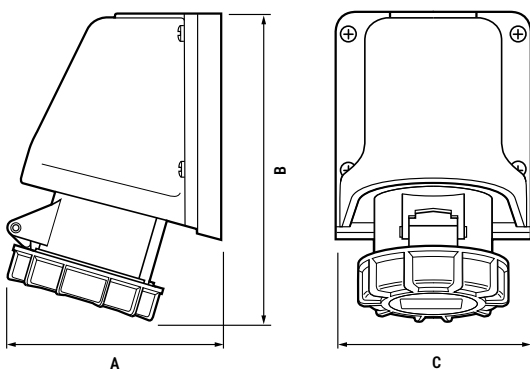


CXN324P415W67A



CXN1255P415W67

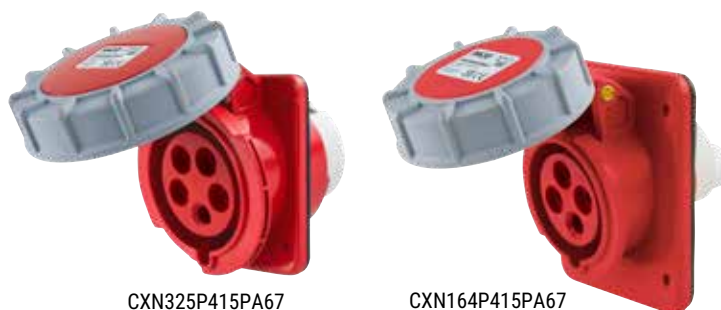
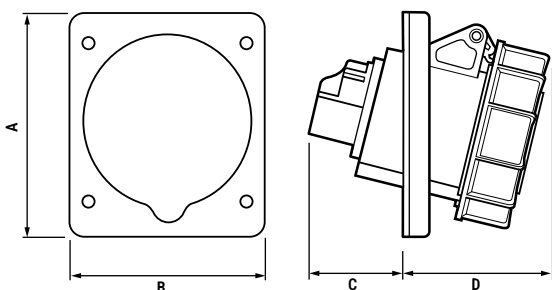
COMPONENT PARTS



## ANGLED PANEL SOCKETS - IP67

- Complete with gasket

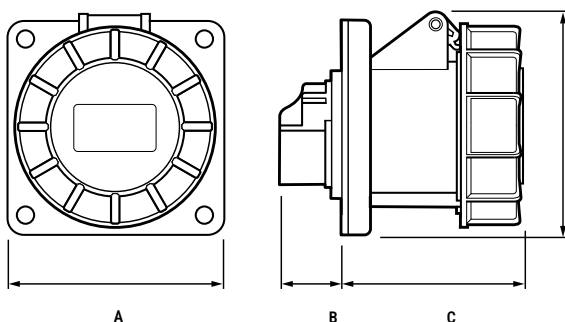
Code	Ref No.	Voltage	Poles	Pins	A [mm]	B [mm]	C [mm]	D [mm]
<b>16 Amp</b>								
2073-6730	CXN163P110PA67	110V	2P+E	3	86.5	75.5	38.5	48.5
2073-6748	CXN163P240PA67	240V	2P+E	3	86.5	75.5	38.5	48.5
2073-6763	CXN164P415PA67	415V	3P+E	4	86.5	75.5	38.5	50
2073-6778	CXN165P415PA67	415V	3P+N+E	5	86.5	75.5	38	52
<b>32 Amp</b>								
2073-6790	CXN323P110PA67	110V	2P+E	3	86.5	75.5	50	53.5
2073-6805	CXN323P240PA67	240V	2P+E	3	86.5	75.5	50	53.5
2073-6823	CXN324P415PA67	415V	3P+E	4	86.5	75.5	50	53.5
2073-6838	CXN325P415PA67	415V	3P+N+E	5	90	80	48	57



## STRAIGHT PANEL SOCKETS - IP67

- Complete with gasket

Code	Ref No.	Voltage	Poles	Pins	A [mm]	B [mm]	C [mm]
<b>16 Amp</b>							
2073-6733	CXN163P110PS67	110V	2P+E	3	75	25.8	54.5
2073-6751	CXN163P240PS67	240V	2P+E	3	75	25.8	54.5
2073-6766	CXN164P415PS67	415V	3P+E	4	75	26.3	54.5
2073-6781	CXN165P415PS67	415V	3P+N+E	5	75	25	56
<b>32 Amp</b>							
2073-6796	CXN323P110PS67	110V	2P+E	3	75	29.2	64.5
2073-6811	CXN323P240PS67	240V	2P+E	3	75	29.2	64.5
2073-6826	CXN324P415PS67	415V	3P+E	4	75	29.2	64.5
2073-6841	CXN325P415PS67	415V	3P+N+E	5	75	29.8	65.5



## 3-WAY SPLITTER UNITS - IP67

A range of 16 Amp, IP44 rated 3-Way Splitters, all conform to EN 60309-1/2 (BS4343).

Code	Ref No.	Voltage	Poles	Pins	Complete with Cable
<b>16 Amp</b>					
1477-7521	CX163P110YS	110V	2P+E	3	No
1488-7171	CX163P110YSL	110V	2P+E	3	Yes
1488-1066	CX163P240YS	240V	2P+E	3	No
1488-7180	CX163P240YSL	240V	2P+E	3	Yes



CX163P110YS



CX163P240YSL

## 3-WAY SPLITTER UNITS - IP67

A range of 16 Amp, IP67 rated 3-Way Splitters, all conform to EN 60309-1/2 (BS4343).

Code	Ref No.	Voltage	Poles	Pins	Complete with Cable
<b>16 Amp</b>					
1488-7168	CX163P110YS/IP67	110V	2P+E	3	No
1488-7174	CX163P110YSL/IP67	110V	2P+E	3	Yes
1488-7177	CX163P240YS/IP67	240V	2P+E	3	No
1488-7183	CX163P240YSL/IP67	240V	2P+E	3	Yes



CX163P240YS-IP67



CX163P110YSL-IP67

## ADAPTOR

Code	Ref No.	Description
<b>16 Amp</b>		
0141-7594	6.8216.UK	2P+E 240V BS4343 to 13A 3 Pin 240V BS1363



## EXTENSION LEADS - IP44

- Ideal for industrial on site applications
- Arctic grade cable
- Fitted with 16A 2P+E plug and coupler

Code	Ref No.	Voltage	Poles	Pins	L [m]	Dia [mm]
<b>16 Amp</b>						
0013-7494	SEL1415 240V	240V	2P+E	3	14	1.5
0013-7500	SEL1425 240V	240V	2P+E	3	14	2.5



SEL1415 240V



SEL1425 240V

## PLUGS - IP44

- High-impact thermoplastic housing
- Colour coded
- Terminal identification
- Shrouded pins
- Retaining device
- Splashproof IP44



Code	Ref No.	Voltage	Poles	Pins	L [mm]	Dia [mm]
<b>16 Amp</b>						
0013-2943	210304	110V	2P+E	3	143	51
0013-2949	210306	240V	2P+E	3	143	51
0013-2988	211306	240V	2P+E	3	143	51
0013-2961	210406	415V	3P+E	3	150	65
0048-8353	211406	415V	3P+E	3	150	65
0013-2940	210	415V	3P+E	3	150	65
<b>32 Amp</b>						
0013-3057	230304	110V	2P+E	3	173	72
0013-3060	230306	240V	2P+E	3	173	72
0102-3478	231306	240V	2P+E	3	173	72
0013-3069	230406	415V	3P+E	4	173	72
0013-3054	230	415V	3P+N+E	5	174	72
<b>63 Amp</b>						
0013-3147	269	415V	3P+N+E	5	243	110



210304



269



230306

## COUPLERS - IP44

- High-impact thermoplastic housing
- Colour coded
- Terminal identification
- Recessed contacts
- Spring-loaded cover
- Splashproof IP44

Code	Ref No.	Voltage	Poles	Pins	L [mm]	Dia [mm]
<b>16 Amp</b>						
0013-3243	310304	110V	2P+E	3	154	51
0013-3249	310306	240V	2P+E	3	154	51
0102-3481	311306	240V	2P+E	3	154	51
0013-3258	310406	415V	3P+E	4	165	65
0013-3240	310	415V	3P+N+E	5	165	65
0013-3267	311	415V	3P+N+E	5	165	65
<b>32 Amp</b>						
0013-3297	330304	110V	2P+E	3	189	72
0013-3300	330306	240V	2P+E	3	189	72
0013-3306	330406	415V	3P+E	4	189	72
0013-3294	330	415V	3P+N+E	5	189	72
<b>63 Amp</b>						
0013-3345	369	415V	3P+N+E	5	255	110

**walther**



## WALL MOUNTED SOCKETS - IP44

- High-impact thermoplastic housing
- Colour coded
- Terminal identification
- Recessed contacts
- Spring-loaded cover
- External fixing
- Splashproof IP44

Code	Ref No.	Voltage	Poles	Pins	L [mm]	W [mm]	D [mm]
<b>16 Amp</b>							
0013-2760	110304	110V	2P+E	3	120	60	75
0013-2763	110306	240V	2P+E	3	120	60	75
0013-2802	111306	240V	2P+E	3	120	60	75
0013-2772	110406	415V	3P+E	4	128	74	86
0001-2757	110	415V	3P+N+E	5	128	74	86
<b>32 Amp</b>							
0013-2838	130304	110V	2P+E	3	154	82	103
0013-2856	131306	240V	2P+E	3	154	82	103
0013-2841	130306	240V	2P+E	3	154	82	103
0013-2847	130406	415V	3P+E	3	154	82	103
0013-2835	130	415V	3P+N+E	5	155	82	105


**walther**









Unit 1, Railway Court, Ten Pound Walk, Doncaster, South Yorkshire, DN4 5FB  
Tel: +44 [0]1302 342 642  
mcg.co.uk |  mcg\_industrial

MCGCAT04



© MCG 2026 - E&OE Errors and Omissions excepted