



CROOZER KID

OWNER'S MANUAL

IMPRINT

Published by:

Croozier GmbH
An der Hasenkaule 10
50354 Hürth
Germany

Copyright © 2020 Croozier GmbH. All rights reserved.
No part of this manual may be reproduced or transmitted in any form for any purpose other than the purchaser's personal use.

Additional manuals and instructions on the use of this product can be ordered from Croozier GmbH or downloaded from the website www.croozier.com. Every effort has been made to ensure the accuracy of this manual. However, if you do find an error, we would appreciate hearing about it so that we can correct it.

Planning, text, graphic design and editing:
W. Piontek, www.technik-transparent.de

Photos: W. Piontek and Croozier GmbH

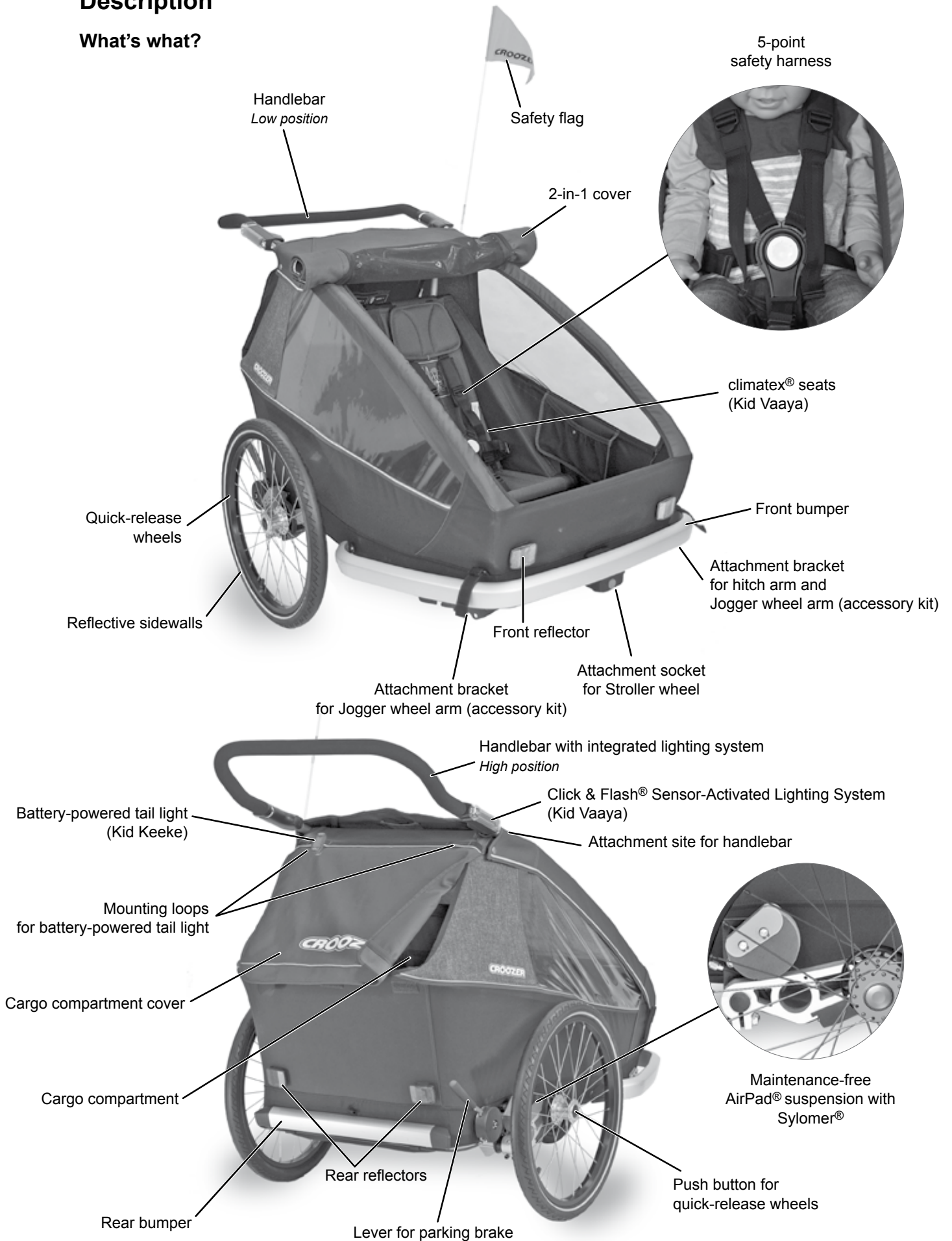
Table of Contents

Description	2	Transporting Your Croozer	34
What's what?	2	Croozer Inspections and Maintenance	35
What are the Croozer Kid Vaaya and Croozer Kid Keeke?	4	Inspection intervals	35
How should the Croozer Kid Vaaya and Croozer Kid Keeke be used?	4	Service intervals	35
How shouldn't the Croozer Kid Vaaya and Croozer Kid Keeke be used?	4	Inspecting the hitch arm, axle hitch, hitch connector, Stroller Kit and Jogger Kit (accessory)	36
Orientation and wording	4	Inspecting the fabric body	36
Applicable standards	4	Inspecting and servicing the wheels	36
Materials tested for harmful substances	4	Checking tyre pressure and treads	36
Safety Guidelines	5	Servicing the lock cylinder on the hitch connector	36
Symbols and warnings	5	Cleaning and lubricating the wheel axles	37
Read and observe this manual	5	Inspecting the bicycle trailer after an accident	37
Who can ride in the Croozer Kid?	5	Croozer Cleaning, Maintenance, Storage and Disposal	38
Who can ride the towing bicycle?	5	How do I clean and maintain my Croozer?	38
Requirements for the towing bicycle	5	How do I store my Croozer?	38
Legal requirements for transporting children	6	Preparing the Croozer for disposal	39
Before your first ride...	6	Technical Data	40
Pulling the Croozer as a Bicycle Trailer	6	Accessories	41
Usage, storage and transport	7	Tested for Safety and Harmful Substances	42
Assembly, maintenance and repair	7	EU Declaration of Conformity	42
Initial Assembly and Unfolding the Croozer	8	Warranty	43
Checking package contents	8	Dealers	44
Unfolding the Croozer	9		
Mounting the bumper	10		
Checking and adjusting the parking brakes	11		
Attaching and removing the wheels	12		
Installing and removing the handlebar	13		
Converting the Croozer to a Bicycle Trailer	14		
Installing and removing the hitch arm	14		
Installing the axle hitch to the towing bicycle	15		
Installing the safety flag	18		
Converting the Croozer to a Stroller	19		
Installing the Stroller wheel	19		
Using your Croozer	20		
Engaging and disengaging the parking brake	20		
Opening and closing the cover	21		
Loading and unloading passengers	21		
Hitching the Croozer to the towing bicycle	22		
Unhitching the Croozer from the towing bicycle	23		
Fastening and unfastening the safety harness	24		
Adjusting the safety harness	25		
Adjusting the head pads to the child's height	25		
Transporting cargo	26		
Using a lighting system	28		
Special features of the Croozer suspension system	28		
Special features of the Kid Vaaya seat material	29		
Special considerations when riding with the Bicycle Trailer	30		
Special considerations when using the Stroller or Jogger (accessory)	32		

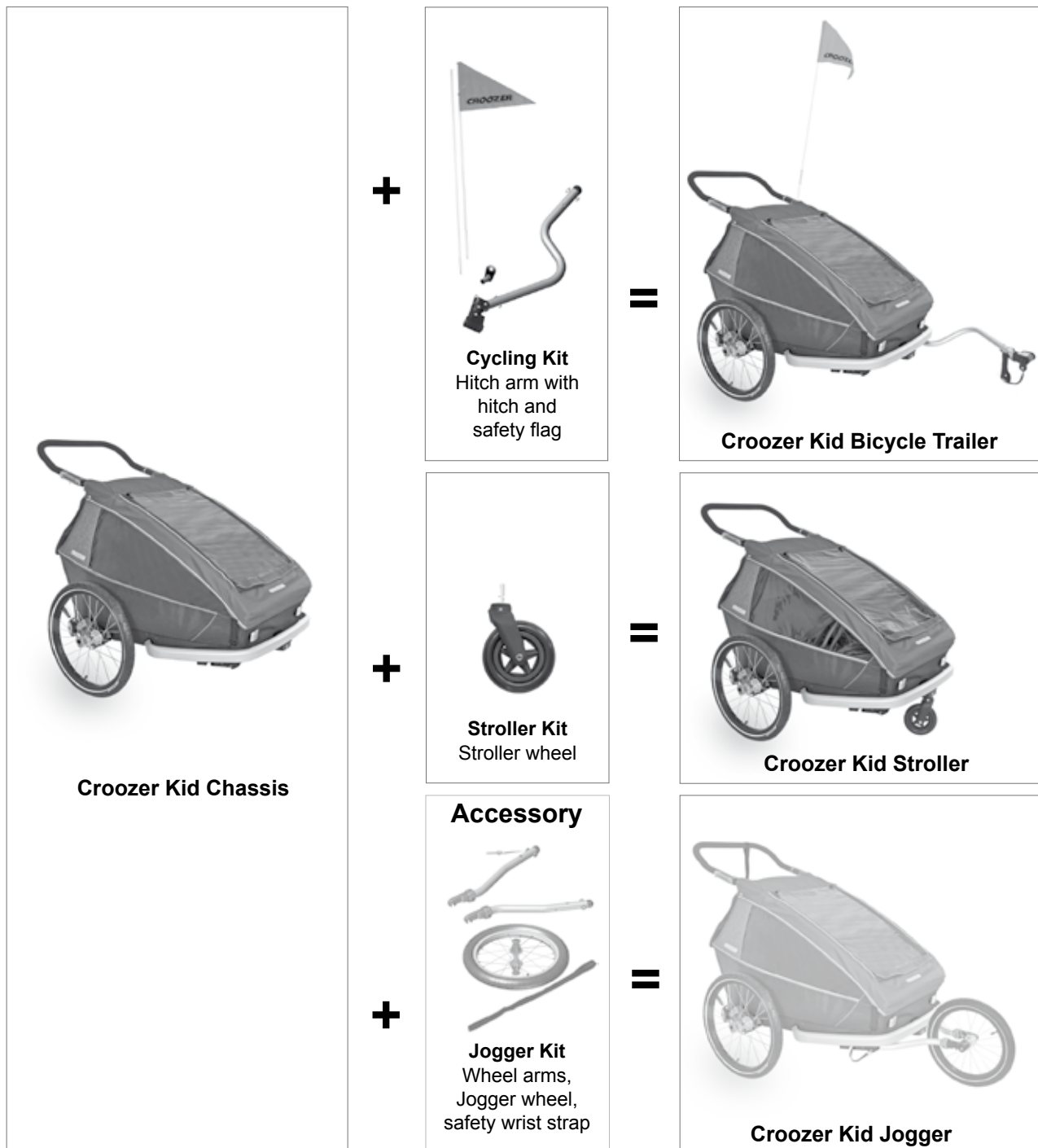
Description

Description

What's what?



3-in-1 System



Fastening Systems

Click & Crooz® fastening system
Simply insert, automatic locking, press button for removal

for hitch connector



for Stroller wheel



Snap-on locking pin

for handle bar



Ball lock pin

(magnetic)

for hitch arm



What are the Croozer Kid Vaaya and Croozer Kid Keeke?

The Croozer Kid Vaaya and Croozer Kid Keeke are vehicles for transporting children. They consist of a chassis that can be quickly and easily converted to a Bicycle Trailer, a swivel-wheel Stroller or a fixed-wheel Jogger (accessory kit). No longer will you need a fleet of vehicles because, with the Croozer, you can take your child on a bike ride, a walk in the park or a trek through the countryside.

How should the Croozer Kid Vaaya and Croozer Kid Keeke be used?

The Croozer Kid is intended for private use for carrying children in daylight hours on roads and other smooth, well-surfaced paths as a Bicycle Trailer, a swivel-wheel Stroller or a fixed-wheel Jogger (accessory kit) for walking and hiking. The instructions and safety guidelines provided in this manual must be followed at all times. Only children who are able to sit upright unassisted and are within the specified age range should ride in the Croozer Kid Vaaya or Croozer Kid Keeke. If a child is unable to sit upright unassisted, the Croozer Baby Seat must be used. Be sure to secure all cargo and take-along items in the designated pockets and compartments and observe the weight limits specified in the table below. It is vitally important that all cargo be secured to prevent it from shifting while the vehicle is in use. It is the user's responsibility to ensure that the transported cargo does not compromise the safety of the passengers.

Maximum Load* (Passengers + Cargo)	
One-seater	35 kg (77 lb), max. 1 child
Two-seater	45 kg (100 lb), max. 2 children
Max. body weight of the child	20 kg (44 lb)
Of which in rear cargo compartment	max. 5 kg (11 lb)
Handlebar Bag (accessory)	max. 2 kg (4.4 lb)
Minimum Age of Passengers	
Without Baby Seat	6 months (if the child can sit upright unassisted)
With Baby Seat (accessory)	1 month in buggy mode
Maximum Age of Passengers	
Without Baby Seat	3,5 years
With Baby Seat (accessory)	10 months
Maximum Height of Passengers	
	100 cm (39 inch)
Hitch-Arm Load (Nose Weight)	
	3 to 8 kg (6.6 to 17.6 lb)
* Weight limits only apply if the hitch-arm load is within the specified range of 3–8 kg (6.6 to 17.6 lb). See page 27.	

When in use as a Bicycle Trailer in poor visibility conditions or at night, dusk or dawn, the Croozer must be equipped with a lighting system that complies with the applicable laws and regulations in the country of use. The handlebar of the Croozer Kid Vaaya comes with an integrated Click & Flash® lighting system. The Croozer Kid Keeke comes with a battery-powered light that must be mounted to the light-attachment loop on the cover of the rear cargo compartment. Any spare parts or accessories used for either Croozer model must be approved by Croozer GmbH and properly installed, ideally by a professional bicycle mechanic.

How shouldn't the Croozer Kid Vaaya and Croozer Kid Keeke be used?

The Croozer Kid Vaaya and Croozer Kid Keeke may not be used in any manner other than as specified above. Never transport animals together with children in the Croozer. Never use the Croozer as a cargo trailer. Never use the Stroller for jogging or skating. For more information, see page 32. Commercial use, overloading, excessive speeds, improper repairs and use on unsurfaced roads or paths are not permitted. Never install a car seat or other seating device not approved by Croozer GmbH. Never use the handlebar for carrying loads, such as children's vehicles or bags (other than the Handlebar Bag available as an accessory).

Never pull the Croozer with a motorised vehicle, such as a moped or scooter. This also applies to motorised bicycles with a maximum speed of more than 25 km/h (15 mph). Do not mount the hitch to a bicycle with a rear-wheel hub motor, unless this modification is approved by the manufacturer. Croozer GmbH will not be liable for any damages resulting from non-compliance with these requirements.

Orientation and wording

Unless otherwise indicated, the terms "right" and "left" in this manual refer to the passenger's right or left when seated in the Bicycle Trailer, facing forward (i.e. relative to the direction of travel).

For simplicity, this manual generally refers to the child or passenger in singular form. It is understood, however, that a two-seater will be carrying up to two children, and a one-seater, only one child.

This Owner's Manual is intended for use with both the Croozer Kid Vaaya and Croozer Kid Keeke. In sections that apply equally to both models, the name "Croozer" is used for simplicity, and the Croozer Kid Vaaya is pictured in the respective illustrations. In sections where the two models differ, the instructions and/or information for both models are given separately and marked as follows:

Croozer Kid Vaaya

Croozer Kid Keeke

For the sake of clarity, the Croozer two-seater is shown in most of the photos and graphics used in this manual. However, all descriptions and instructions also apply to the one-seater version.

Applicable standards

The following standards were taken into consideration:

EN 15918:2011+A2:2017,
EN 1888-1/2:2019-05



Materials tested for harmful substances

The materials used for producing the Croozer Kid Vaaya and Croozer Kid Keeke pose no threat to the health of your children. All materials are tested for harmful substances to achieve standards over and above the legal requirements.



Safety Guidelines

Symbols and warnings



DANGER!

DANGER indicates a hazardous situation which, if not avoided, will result in death or serious injury.



WARNING!

WARNING indicates a hazardous situation which, if not avoided, could result in death or serious injury.



CAUTION!

CAUTION indicates a hazardous situation which, if not avoided, could result in minor or moderate injury.

NOTICE

NOTICE indicates a situation which, if not avoided, could result in damage to the Croozer or the environment.

Tip: *In this manual, "Tip" indicates helpful advice about the use or maintenance of the Croozer.*

Read and observe this manual

This manual contains information that is extremely important for the safe transport of your child. Therefore, it is essential that you read the entire manual carefully and follow the instructions closely. If you should experience difficulties understanding any of the information or instructions, please contact your Croozer dealer. Keep this manual handy at all times for future reference. If you loan or sell your Croozer, pass on this manual to the new user. It is also vitally important that you read and observe the instructions provided in the manual of the towing bicycle.

Who can ride in the Croozer Kid?

The Croozer Kid can transport children from approx. 6 months to approx. 3,5 years of age, with a maximum height of 100 cm (39 inch). All child passengers must be able to sit upright unassisted. Children who are not able to sit upright without support do not have fully developed muscles and could therefore experience injury when riding in the Croozer. These children may only be transported in the Baby Seat that is available as an accessory. The two-seater versions of the Croozer Kid Vaaya and Croozer Kid Keeke can carry one or two children, and the one-seater versions of the Croozer Kid Vaaya and Croozer Kid Keeke, only one child.

Who can ride the towing bicycle?

The minimum age for the rider of the towing bicycle in most countries of the EU is 16 years.

In case of doubt, be sure to familiarise yourself with the legal requirements of the country in which you plan to use the Croozer.

Requirements for the towing bicycle

The towing bicycle must be approved by its manufacturer for pulling a trailer. This information can be found in the owner's manual of the bicycle. Furthermore, the towing bicycle must be in perfect working order and have strong, properly functioning brakes. Keep in mind that braking distance is increased when pulling a bicycle trailer. The rear wheel of the towing bicycle must be equipped with an effective mudguard with mudflap. Otherwise, the child could be injured by stones or other debris thrown up from the road. Motorised vehicles may not be used for pulling child trailers. The only exception to this rule is a pedelec. This special type of e-bicycle has an electric motor that delivers assist only when the rider pedals. In many countries, pedelecs legally qualify as bicycles. However, e-bikes with a maximum speed of more than 25 km/h (15 mph) may not be used for pulling the trailer. The towing bicycle should be equipped with a sturdy rear-mount kickstand to ensure safety when passengers are getting into or out of the trailer.

Be sure to familiarise yourself with the legal requirements for towing bicycles in the country or region where you plan to use the Croozer.

The towing bicycle must have a 26" to 29" (559- to 635-mm) rear wheel. This information can be found on the tyre sidewalls. The numbers 42-622, for example, indicate that the tyre has a width of 42 mm and a bead-seat diameter of 622 mm (28 inch).

Legal requirements for transporting children

Be sure to observe all laws that apply to the transport of children in child trailers. Some countries prohibit the transport of children in child trailers, and others prescribe certain age limits. In case of doubt, familiarise yourself with the legal requirements of the country or region where you plan to use the Croozer.

Before your first ride...

It is vitally important that you familiarise yourself with the Croozer before you use it for transporting children. Prior to your first trip, Croozer GmbH recommends taking a practice ride without your child(ren) in a calm, traffic-free area. Load the bicycle trailer with cargo of approximately the same weight as your child(ren), for example, by strapping a loaded backpack into the cabin. This is a great way to acquaint yourself with the handling of the bicycle and the dimensions of the trailer.

Buckle up!

Children riding in the Croozer must be strapped into the safety harnesses at all times. Follow the instructions provided in this manual for adjusting and fastening the safety harnesses correctly. Children who are not properly secured in a safety harness could sustain life-threatening injuries in the case of accidents or sudden braking.

Adult supervision

Never leave children in the Croozer unattended. It is the adult's responsibility to ensure that the ventilation and temperature conditions in the Croozer are safe and comfortable for the child at all times. Check on the child's well-being frequently.

Keep handlebar attached

Leave the handlebar attached to the Croozer at all times. In the event of an accident, it acts as a roll bar, protecting the passengers.

Pinching hazard

When folding and unfolding the Croozer, keep fingers and hands clear of all possible pinch points (e.g. movable frame parts and locking mechanisms).

Pulling the Croozer as a Bicycle Trailer

Before each ride, check the following:

- Are the wheels securely attached?
- Are the locking mechanisms on both vertical frame tubes securely engaged?
- Are all attached components correctly inserted and secured (i.e. the respective fastening/locking mechanisms engaged)? Check that none of the security pins are hanging freely from their straps.
- Are the tyres inflated to the recommended pressure? The actual tyre pressure should never be higher or lower than the maximum and minimum inflation pressures marked on the tyre sidewall. (See also page 36.) Never use compressed air, e.g. from a petrol station, to inflate your tyres. The quick flow and high pressure can over-inflate the tyres, causing the tube and/or tyre to burst.

Using the parking brake

When loading or unloading children, or when passengers are getting into or out of the trailer, the parking brake of the Croozer must be engaged to prevent unintentional rolling.

Turning

Always reduce your speed to a walking pace when making turns with the Bicycle Trailer. Keep in mind that riding speed is often underestimated, especially on bikes with electric assist (i.e. pedelecs). When turning at high speeds, the increased centrifugal force could cause the Trailer to skid or tip over, which can result in accidents with serious injury or death.

Riding downhill

Always reduce your speed when riding downhill. Riding at excessive speeds could cause the Trailer to skid, which can result in accidents with serious injury or death.

Riding over kerbs or uneven surfaces

Riding over a kerb or other obstacle with only one wheel of the trailer could cause the Trailer to tip over, resulting in accidents with serious injury or death. Empty trailers are especially susceptible to tipping. Therefore, if you have to ride over a kerb or similar obstacle, always use extreme caution and ride at very low speeds. Never use the Croozer on stairs or escalators.

Risk of injury from rotating parts

Always make sure that the child cannot reach the wheels of the Croozer or the rear wheel of the towing bicycle. Touching wheels that are in motion could result in serious injuries.

Close the cover

When riding with the Bicycle Trailer, always close the front mesh cover (with the plastic window either open or closed) in order to protect the passengers from potential injuries caused by flying insects or small stones thrown up from the rear wheel of the towing bicycle. The plastic windows have a UPF (Ultraviolet Protection Factor) rating of 80+, and the Croozer's fabric body has a UPF rating of 50+.

Being visible to others

Never use your Croozer as a Bicycle Trailer in road traffic without its safety flag mounted. The safety flag makes it easier for other road users to see you.

If you plan to use the Croozer as a Bicycle Trailer at night, dusk or dawn – or when visibility is in any way reduced – the trailer must be equipped with a fully functional lighting system. Be sure to familiarise yourself with the legal requirements of the country or region where you plan to use the Croozer.

Carrying cargo

Never transport cargo items together with children on the seat or in the foot area. Cargo must be well secured in the rear cargo compartment to ensure that it cannot shift during transport. Loose cargo and overloading can change the handling of the Croozer, making the vehicle more difficult to control. Furthermore, cargo items can fall against the seatback and injure the child. Never transport animals together with children in the Croozer.

Never use the handlebar for carrying loads, such as children's vehicles or bags (other than the Handlebar Bag available as an accessory). Cargo attached to the outside of the Croozer can drastically affect its handling and stability, potentially resulting in accidents with serious injury or death.

Usage, storage and transport

Never transport the Croozer – even when folded – on the roof of a motor vehicle.

Never use or store the Croozer at temperatures below -20°C (-4°F). Temperature extremes can cause the plastic windows to become brittle.

Assembly, maintenance and repair

Purchased condition and initial assembly

If you purchased your Croozer from a shop, the retailer should have installed the front bumper to the Croozer and the hitch to the towing bicycle. If you ordered your Croozer from an online or mail-order catalogue, we recommend having the initial assembly performed by a professional bicycle mechanic. Furthermore, dealers are required to provide their customers with all important information on the use of the Croozer. To find an authorised dealer in your area, visit the Croozer website at www.croozer.com.

Technical condition

Never use the Croozer if it is not in perfect working order. The Croozer must be periodically inspected for damage and/or wear to the wheels, hitch arm, hitch connector, axle hitch, frame, fabric body, fastening/locking mechanisms and safety harnesses, as well as the components of the Stroller Kit and Jogger Kit (accessory). If any of these parts are found to be damaged, the Croozer may not be used until the damage has been properly repaired, ideally by a professional bicycle mechanic.

It is critical that all maintenance work specified in this manual be performed in the specified intervals.

Using the Croozer when it is not in perfect working order can result in accidents with serious injury or death.

Proper installation and repair

The Croozer must be properly assembled to professional standards. Be sure to follow the assembly instructions in this manual. When in doubt, contact your Croozer dealer. All repairs must be carried out to professional standards using only original Croozer parts, ideally by a professional bicycle mechanic. Incorrect installation or repair work could result in accidents with serious injury or death.

Suitable accessories and original spare parts

Only use original spare parts and accessories that have been approved by Croozer GmbH. These are the only components that can be used safely with the Croozer. When in doubt, consult a Croozer dealer. The use of non-approved accessories or incompatible spare parts could result in accidents with serious injury or death. Croozer GmbH will not be liable for any damage resulting from the use of non-approved accessories or incompatible spare parts.

Changes and modifications

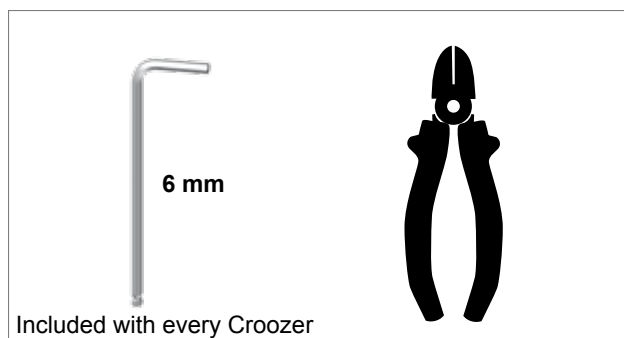
For safety reasons, no modifications or changes can be made to the Croozer.

Do not install additional components, such as luggage racks etc. Do not use a car seat or any type of seat or seat support that has not been approved by Croozer GmbH. Do not install electric drive systems. Making modifications or changes to your Croozer can result in accidents with serious injury or death. Furthermore, changes or modifications to the vehicle will void any warranty claims. Croozer GmbH will not be liable for any damage resulting from changes or modifications that have been made to the Croozer.

Initial Assembly and Unfolding the Croozer

If you have purchased your Croozer from a shop, the retailer should have installed the front bumper and sold the Croozer “ready to use”. If you ordered your Croozer from an online or mail-order catalogue, we recommend having the initial assembly performed by a professional bicycle mechanic. Furthermore, dealers are required to provide their customers with all important information on the use of the Croozer. If the initial assembly has been performed, you can skip the first few steps of this section.

If your Croozer was not assembled prior to sale, then have the initial assembly performed by a professional bicycle mechanic or follow the assembly instructions below. Various tools are required for the assembly. Your Croozer comes with a 6mm Allen key.



WARNING!

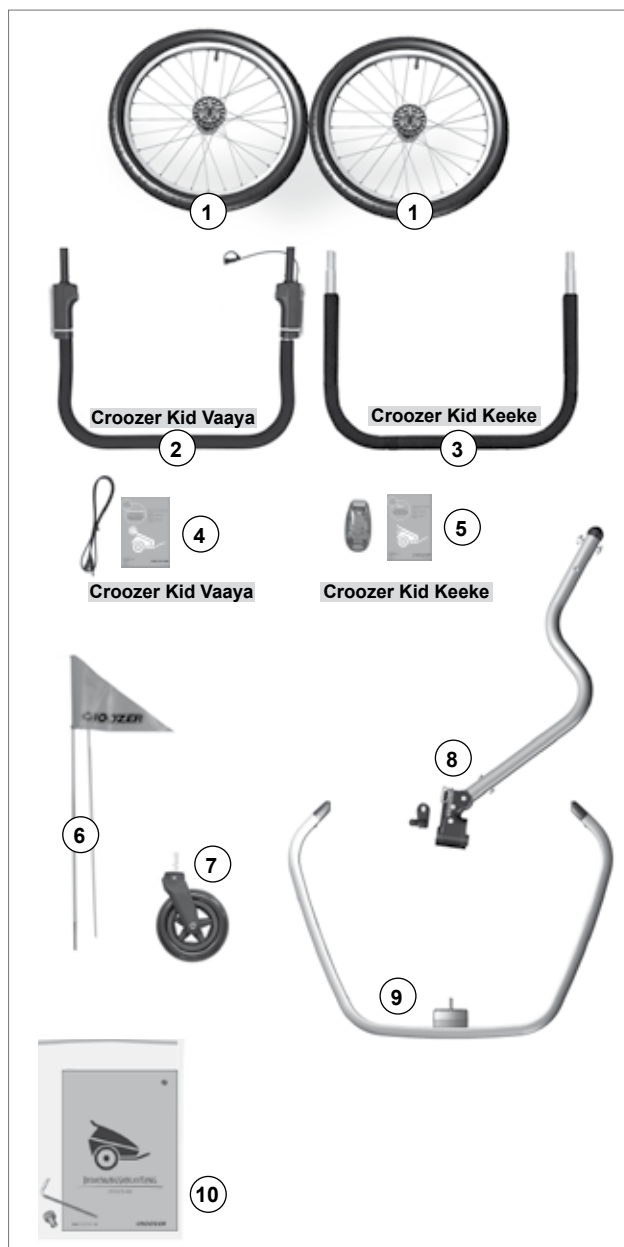
The Croozer must be properly assembled to professional standards. Improper assembly can result in accidents with serious injury or death.

Checking package contents

The Croozer is packaged in a box for shipment. In order to minimise package size, the Croozer is shipped in its folded state. All removable parts are included in the scope of delivery, either attached or in one of the plastic bags. In addition, the front bumper is removed for shipping.

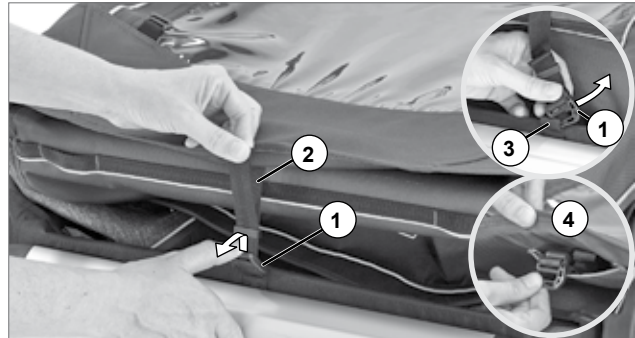
1. Remove all packaging materials from the Croozer and from individual parts. Recycle all packaging materials if possible. It may be wise to keep the box, e.g. for storage or later transport.
2. Using a pair of diagonal cutting pliers or other cutting tool, cut the cable ties with which the frame of the Croozer is secured and other parts are prevented from shifting.
3. Remove all individual parts from inside the Croozer. These parts include
 - two side wheels (1),
 - either a handlebar with integrated Click & Flash® lighting system (2) (for the Croozer Kid Vaaya) or a handlebar without integrated lighting (3) (for the Croozer Keeke),
 - (if Croozer Kid Vaaya) a charging cable with instruction manual (4) for the Click & Flash® sensor-activated lighting system,
 - (if Croozer Kid Keeke) a tail light with instruction manual (5),
 - a safety flag (6),
 - a Stroller wheel (7),
 - a lockable hitch arm with three keys and an axle hitch (8),
 - a front bumper (9),
 - a package (10) with a knurled barrel nut, a 6mm Allen key and this manual.

Unfold the Croozer before mounting these parts.



Unfolding the Croozer

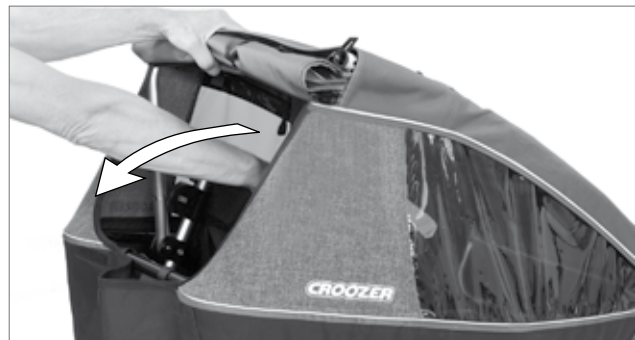
1. Press down on the hook (1) of the transport safety strap at the rear of the Croozer in order to release the tension on the transport safety strap (2). Then take the hook (1) out of the loop (3). Tuck the transport safety strap into the special strap-storage pocket (4) under the cover.



2. Brace the lower part of the Croozer frame with one hand while using your other hand to lift the top part of the frame.



3. Holding the upper frame tube in the raised position, pull the seat frame slowly and carefully back and towards you until the locking pins (5) of both locking mechanisms (4) engage with audible clicks in the holes (6) of the frame tubes.



CAUTION!

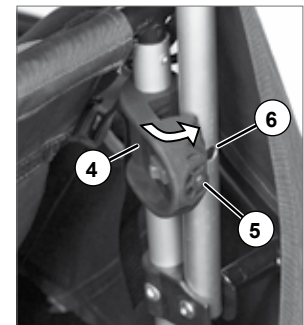
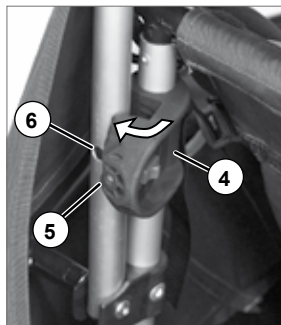
Pinching hazard! There are pinch points between the seat frame and Croozer frame, as well as in the locking mechanism, that could cause painful injuries. Use caution to avoid these points when folding or unfolding the trailer.

NOTICE

Use caution and slow movements when pulling back the seat frame. If the seat frame is pulled back too quickly or with excessive force, the frame tube and locking mechanisms could be damaged.

Tip: A new Croozer will be slightly more difficult to unfold because the canvas is still stiff.

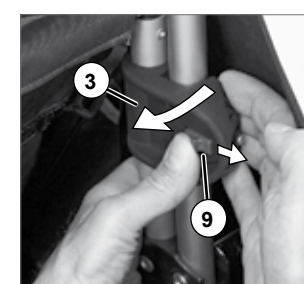
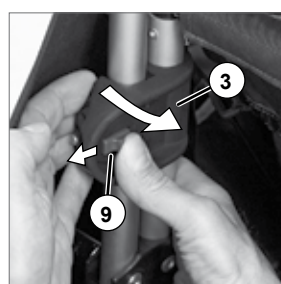
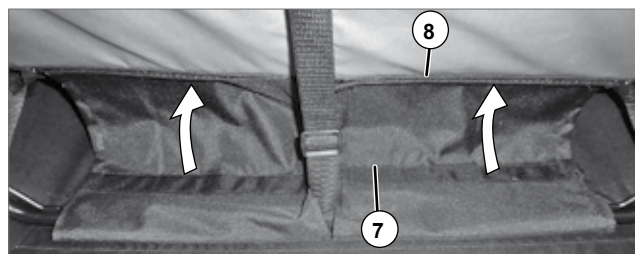
4. Check to make sure that both locking mechanisms are securely engaged. There should be no movement in the seat frame when you press against it.



WARNING!

If the locking mechanisms are not properly engaged, the frame of the Croozer could collapse while riding, potentially resulting in serious injuries for the passenger(s).

5. Fasten the cargo-compartment separator (7) by attaching the Velcro to the rear surface of the seat (8).
6. To fold the Croozer, follow the above steps in the reverse order. Disengage the two locking mechanisms (9) by pushing the red slide button towards the rear of the trailer and pulling the two locking mechanisms inwards (4), away from the frame tubes.



NOTICE

Be sure to remove the safety flag before folding the Bicycle Trailer. Otherwise, the rod of the safety flag could break.

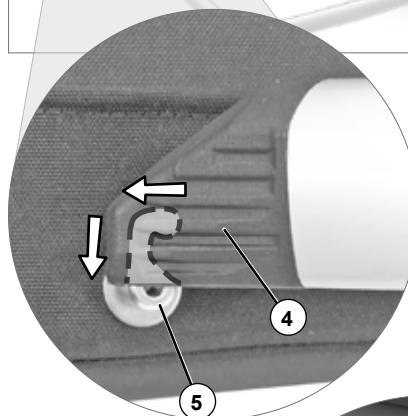
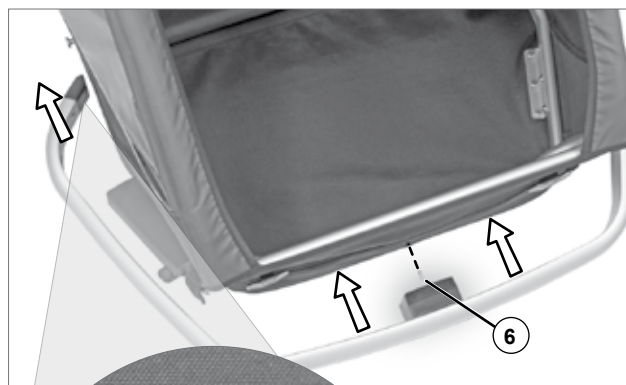
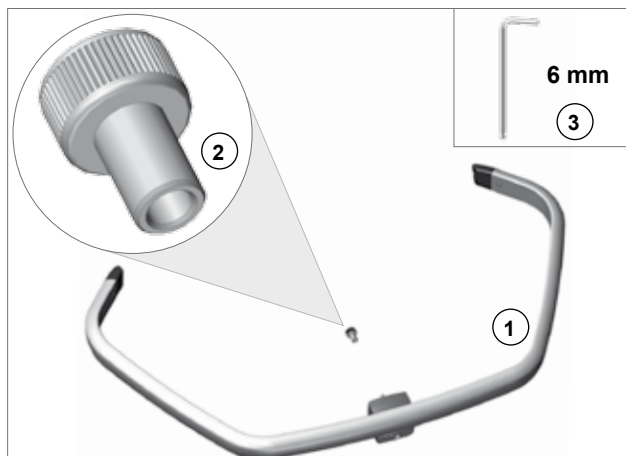
Initial Assembly and Unfolding the Croozer

Mounting the bumper

Because packaging size is limited, the bumper (1) of the Croozer is shipped unattached. The bumper is included in the packaging and must be properly installed.

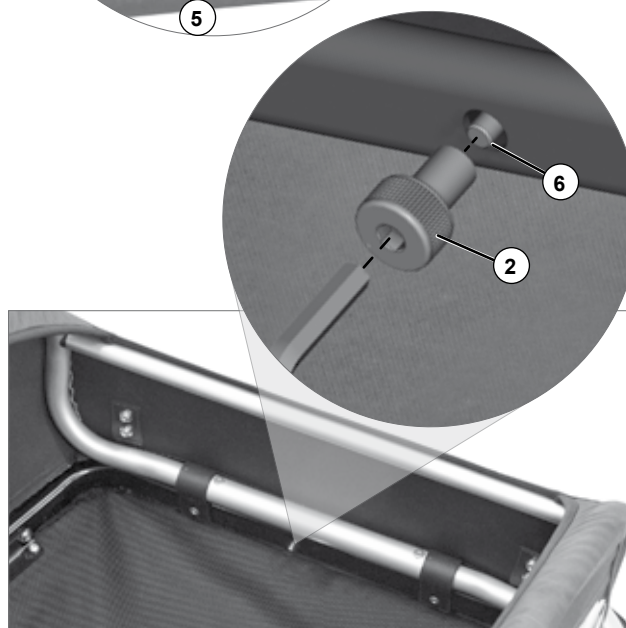
An M6 knurled socket head barrel nut (2) is used for fastening the front bumper (1). This barrel nut can be found in the plastic bag that contains the 6mm Allen key (3).

1. Holding the bumper (1) with both hands, guide the bolt (6) in the centre of the bumper from the front into the respective opening in the Croozer frame while pressing the ends of the bumper (4) as far as they will go onto the pins (5) protruding from each side of the frame. You should be able to hear and feel the ends lock into place on the pins (5).



Tip: When the bolt (6) is positioned in the middle of the hole, it is easier to screw on the knurled socket head barrel nut (2).

2. Position the bolt (6) in the middle of the hole by pressing on the bumper. Then guide the knurled socket head barrel nut (2) into the hole, and screw it onto the end of the bolt, tightening it by hand.
3. Use a 6mm Allen key to secure the barrel nut (2) as tightly as possible.
4. To remove the bumper, follow these instructions in the reverse order.



Checking and adjusting the parking brakes

To ensure that the parking brakes are in perfect working order, they must be checked and, if necessary, adjusted.



WARNING!

The parking brakes must be correctly adjusted! If the parking brakes have not been correctly adjusted, the parked Croozer could roll away unexpectedly, resulting in accidents with serious injuries or death.

1. Pull back the brake lever (1) as far as it will go. The brake pins (2 and 4) on both sides of the Croozer will move upwards and engage in the locking plates on the side wheels. For a better view of the parking-brake mechanism, the photo on the right shows the Croozer with the side wheel removed.

Tip: It might be necessary to roll the Croozer an inch or two forwards or backwards so that the brake pins can engage in the locking plates.

2. If the brake pins (2 and 4) on one or both sides of the Croozer fail to engage fully in the locking plate(s) on the side wheels, then adjustment is necessary.

3. If the brake pin (2) on the left side of the Croozer does not engage fully in the locking plate, then loosen the respective locknut and turn the barrel adjuster (3) on the brake lever anticlockwise until the brake pin (2) is engaged fully in the locking plate. Re-tighten the locknut to secure the position of the barrel adjuster.

4. If the brake pin (4) on the right side of the Croozer does not engage fully in the locking plate, then loosen the respective locknut and turn the barrel adjuster (5) on the brake lever anticlockwise until the brake pin (4) is engaged fully in the locking plate. Re-tighten the locknut to secure the position of the barrel adjuster.

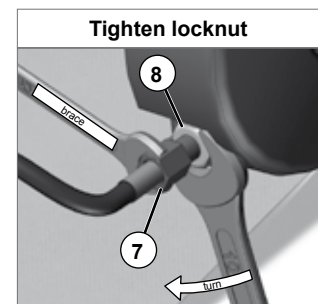
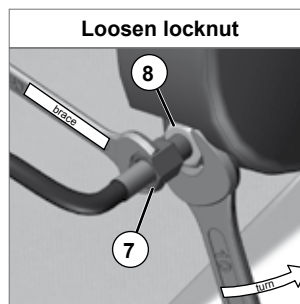
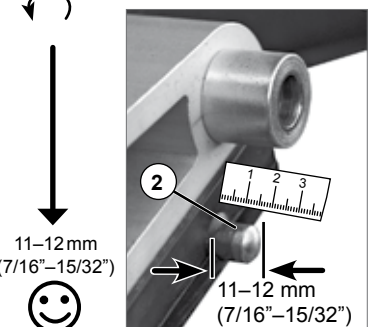
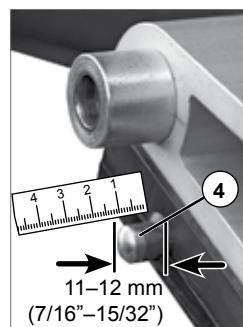
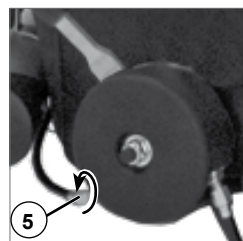
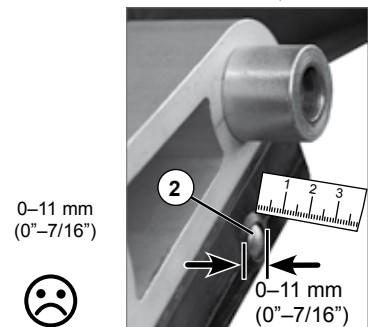
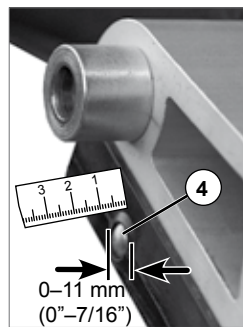
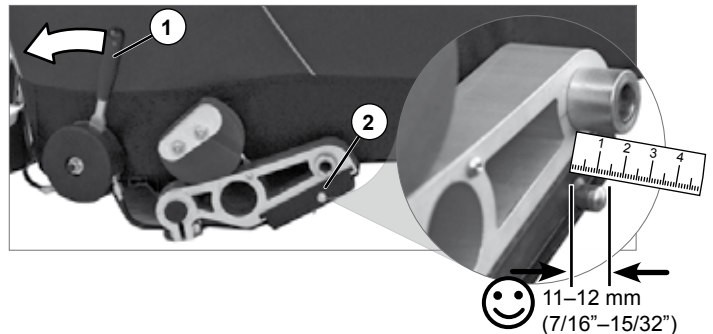
5. After adjustment, check the function of the parking brakes by pulling back the brake lever and trying to move the Croozer forwards or backwards with gentle pressure. It should not be possible to move the Croozer when the parking brakes are engaged.

Tip: Using barrel adjusters with locknuts:

Loosening: Use an 8mm spanner to brace the barrel adjuster (7) while rotating the locknut (8) several turns anticlockwise using a 10mm spanner.

Adjusting: The barrel adjuster (7) can now be turned to adjust the length of the cable.

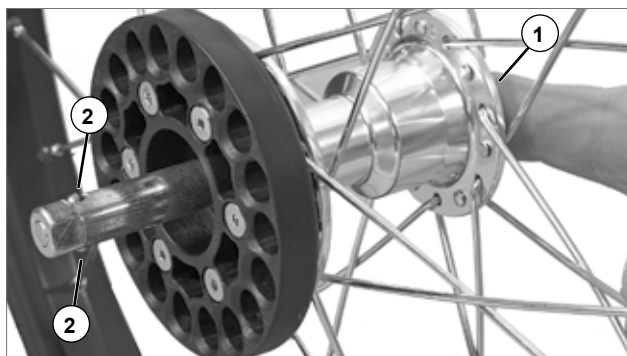
Tighten: Brace the barrel adjuster (7) with an 8mm spanner while using a 10mm spanner to turn the locknut (8) as far as it will go clockwise.



Initial Assembly and Unfolding the Croozer

Attaching and removing the wheels

The wheels of the Croozer are equipped with push-button axles. When you press the dust cap (1), the retaining balls (2) will retract within the axle to permit the attachment or removal of the wheel. The wheels cannot be attached or removed unless the dust cap is pressed in.



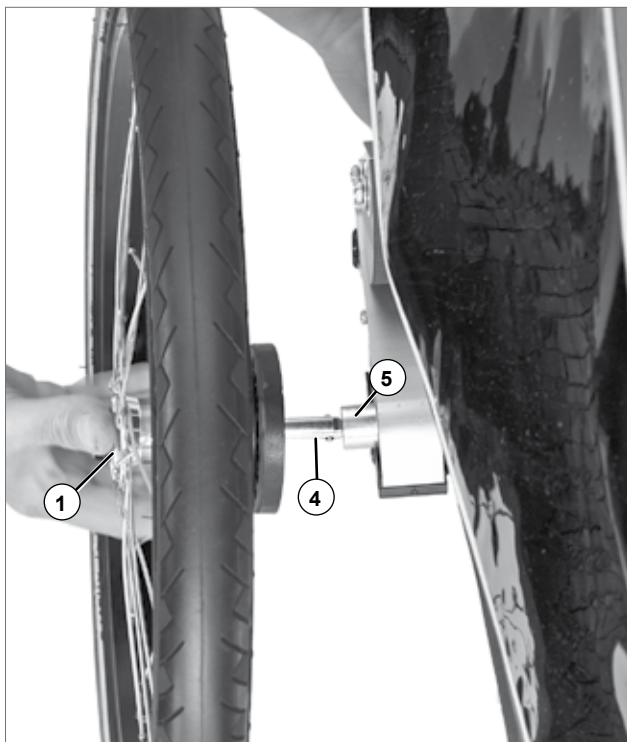
1. Check that the brake lever (3) is in the disengaged position. If not, move the brake lever (3) forwards to disengage the mechanism.
2. Use one hand to lift up the back of the Croozer.
3. Press the dust cap (1) of the wheel hub.
4. Insert the wheel axle (4) all the way into the socket (5) in the suspension swing arm of the Croozer, and release the dust cap.
5. Check whether the wheel is locked securely in the socket by pulling firmly on the wheel without pressing the dust cap. It should not be possible to remove the wheel without pressing on the dust cap.
6. Repeat steps 2-5 to attach the second wheel.



WARNING!

After the wheels have been attached, be sure to check that they are both locked securely in the axle receivers. This can be done by pulling on the wheels without pressing on the dust caps. It should not be possible to remove the wheels unless you are pressing on the dust caps. Wheels that are not securely locked in the axle receivers could fall off while riding, resulting in accidents with serious injury or death.

7. After the wheels have been attached, check the function of the parking brakes by pulling back on the brake lever (3). When the parking brakes are engaged, it should not be possible to move the wheels.
8. Before using your Croozer for the first time, be sure to inflate both tyres. The actual tyre pressure should never be higher or lower than the maximum and minimum inflation pressures marked on the tyre sidewall. Never use compressed air, e.g. from a petrol station, to inflate your tyres. The quick flow and high pressure can overinflate the tyres, causing the tube and/or tyre to burst.
9. To remove the wheels, follow these instructions in the reverse order. Press the dust caps (1) and pull the wheels off.



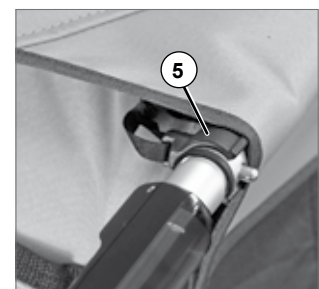
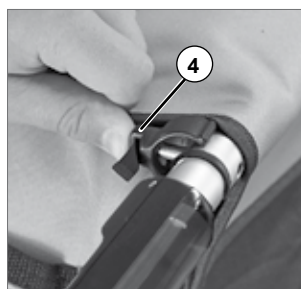
Installing and removing the handlebar

The handlebar has two functions. Firstly, it is used for pushing the Croozer as a swivel-wheel Stroller or fixed-wheel Jogger (kit available as accessory). For this purpose, the handlebar can be mounted in either a high or a low position, depending on the height and preferences of the user. Secondly, the handlebar functions as a roll bar, protecting the passengers should the Bicycle Trailer tip over in the rare event of an accident. On the Croozer Kid Vaaya, the Click & Flash® sensor-activated lighting system is mounted to the handlebar.

1. Decide whether you would prefer to use the handlebar in the high (1) or low (2) position.
2. Insert both ends of the handlebar simultaneously into the upper frame tubes (3), taking care to avoid jamming.

Tip: The ends of the new handlebar may stick somewhat when inserting them into the frame tubes for the first time. In this case, a little silicone spray lubricant can help.

3. Push the back edge of the cover slightly forward until you find the hole in the upper frame tube.
4. Guide the end of the snap-on locking pin (4) through the hole on the inner side of the frame tube, pushing it all the way in until the pin extends through the outer hole and the sides (5) snap onto the tube.
5. Repeat steps 3 and 4 for the other side of the handlebar, ensuring that both locking pins are locked securely onto the tubes.



WARNING!

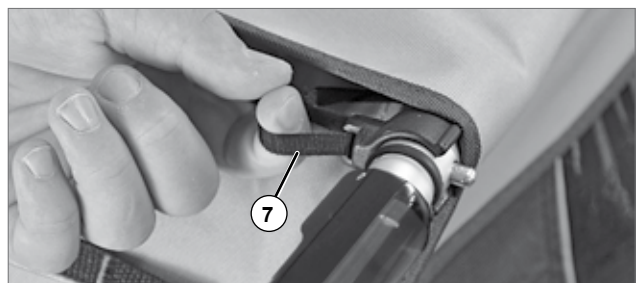
The handlebar must be securely fastened with both locking pins at all times. Otherwise, the handlebar could fall off when you are pushing it, and the Croozer could roll away unintentionally, resulting in accidents with serious injury or death.



WARNING!

When the Croozer is being used as a Bicycle Trailer, the handlebar must remain securely attached at all times. If the Bicycle Trailer should ever tip over, the handlebar acts as a roll bar, helping to prevent injuries.

6. To remove the handlebar, follow these instructions in the reverse order. Pull on the strap (7) to remove the respective locking pin.



Converting the Croozer to a Bicycle Trailer

If the Stroller wheel or Jogger Kit (accessory) has been mounted to the Croozer, remove these components.

Installing and removing the hitch arm

The hitch arm is installed on the left side of the Croozer (relative to the direction of travel). The Croozer is hitched to the left side of the towing bicycle (relative to the direction of travel).

Tip: The first time you install the hitch arm, we recommend tipping the Croozer onto its back end (resting on the handlebar) in order to have a better view of the parts while familiarising yourself with the procedure. Make sure that your working surface is clean and smooth to avoid soiling and/or damaging the fabric body. Later, once you are familiar with the installation and removal procedures, you can install the hitch arm with the front of the Croozer slightly raised.

1. Lift the front of the Croozer, or tip the frame onto its back end.
2. Pull out the security pin (1).
3. Hold the hitch arm (2) with the hole (4) facing upwards and the hitch arm at an approx. 45° angle to the attachment bracket (3).
4. Guide the retaining bolts (5) at the end of the hitch arm gently into the slots of the hitch-arm attachment bracket.
5. Then fold the hitch arm upwards into the hitch-arm attachment bracket until the retaining bolts (5) of the hitch arm are fully engaged in the slots of the attachment bracket.

NOTICE

Do not let the strap of the security pin get caught between the hitch arm and attachment bracket, as this could damage the strap.

6. Insert the security pin (1) as far as it will go through both holes of the hitch-arm attachment bracket. The head of the security pin is magnetic and will adhere to the hitch-arm attachment bracket.



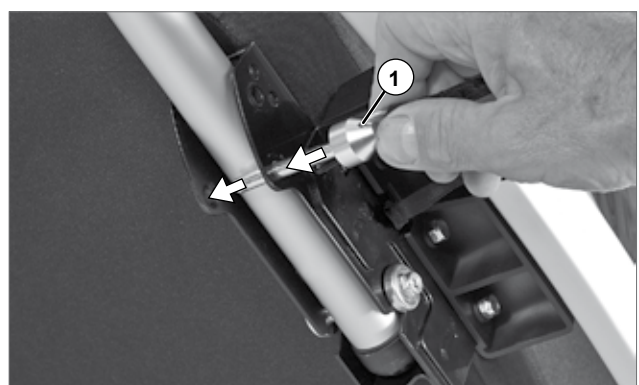
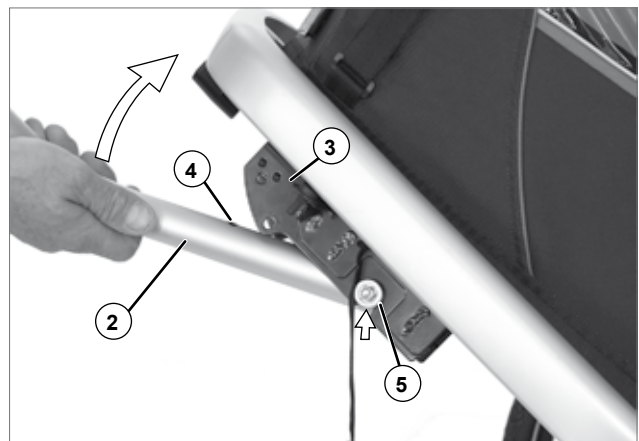
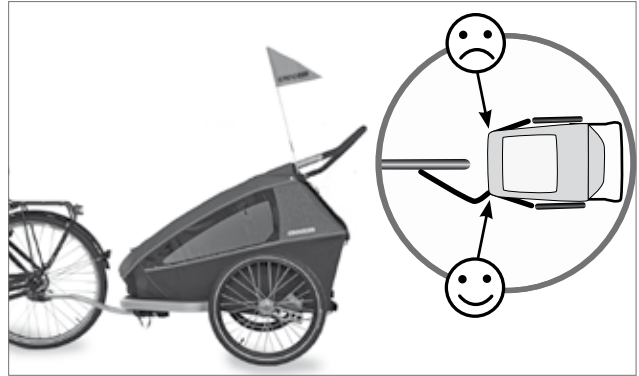
WARNING!

Always check that the security pin has been inserted as far as it will go through both holes and that it cannot fall out. If the security pin is not properly inserted, the hitch arm could fall off while in use, resulting in accidents with serious injury or death.

7. To remove the hitch arm, follow these steps in the reverse order.

NOTICE

After removing the hitch arm, always lock the security pin back into the holes in the bracket. Never leave the security pin hanging freely from its strap. It could get caught on passing objects and be pulled off, damaging parts of the vehicle. Never allow the magnetic security pin to come in contact with the ground. Otherwise, it could attract and accumulate magnetic particles.



Installing the axle hitch to the towing bicycle

The hitch assembly is always mounted to the left side of the bicycle (relative to the direction of travel) and consists of two parts: a hitch connector (1), which is attached to the hitch arm, and an axle hitch (2), which must be mounted to the rear axle of the towing bicycle.

Before installing the axle hitch, you must first check whether the bicycle is suitable for towing a trailer. This information can be obtained from the bicycle manufacturer, a bicycle shop or the owner's manual of the bicycle.



WARNING!

It is vitally important to confirm that the towing bicycle is suitable for pulling trailers. Pulling a trailer with a bicycle that has not been approved by its manufacturer for use as a towing bicycle can result in frame breakage or other material damage. Breakages of this kind could cause accidents with serious injury or death.

If you are not completely confident about your ability to install the axle hitch correctly, please consult with, or have the installation performed by, a professional bicycle mechanic.



WARNING!

It is vitally important that the axle hitch be properly installed. An improperly installed axle hitch could come loose while riding and cause accidents with serious injury or death.

Installing the axle hitch to a bicycle with a quick-release axle

Tip: If the bicycle wheel is equipped with a thru axle (with quick release lever) instead of a conventional quick-release skewer, the thru axle must be replaced with the Croozer Thru Axle available as an accessory. Other hitch axles are also available as accessories.

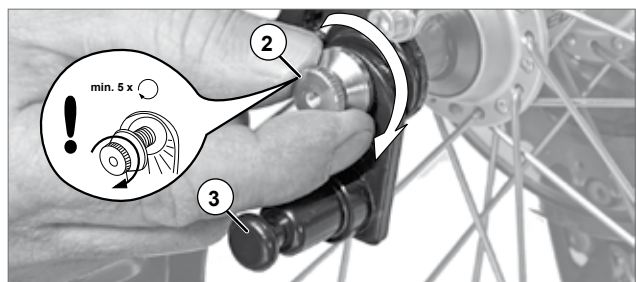
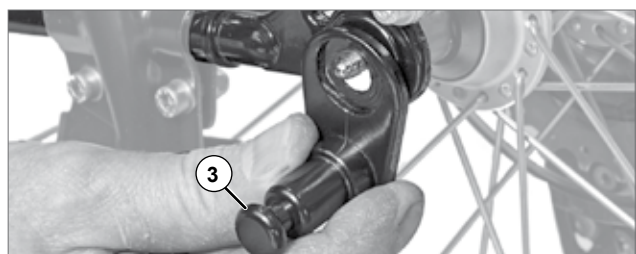
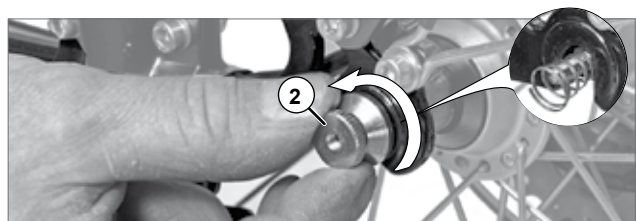
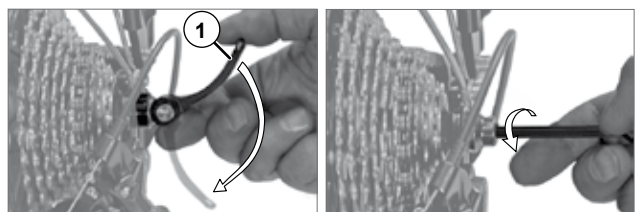
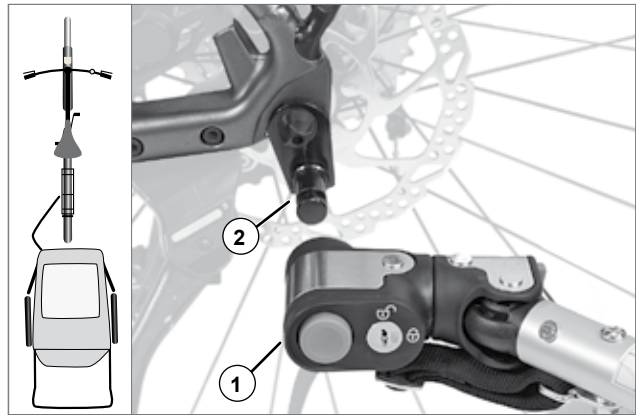
The quick-release lever must be positioned on the right side of the bicycle (relative to the direction of travel). If the lever is on the left side, the quick-release skewer must be removed and reinserted from the right side. Be sure to follow the applicable instructions in the owner's manual of the bicycle and/or consult a professional bicycle mechanic.

1. Open the quick-release lever (1) on the rear wheel of the towing bicycle or loosen the Allen bolt (5 mm), depending on the type of quick-release skewer. Often, the open position is indicated on the lever by the word "OPEN". In this case, when the word "OPEN" can be seen, the lever is in the open position.
2. Remove the axle nut (2) of the quick-release skewer by turning the nut anticlockwise. Use caution: the spring located just beneath the nut is under tension and could fly off when removing the nut.
3. Fit the axle hitch (3) over the end of the quick-release skewer without removing the spring.
4. Thread the axle nut (2) back onto the skewer. Tighten the axle nut at least five full turns (clockwise).



WARNING!

The axle nut must engage the threads for at least five full turns in order to ensure adequate clamping force for holding the rear wheel securely. Failure to tighten the



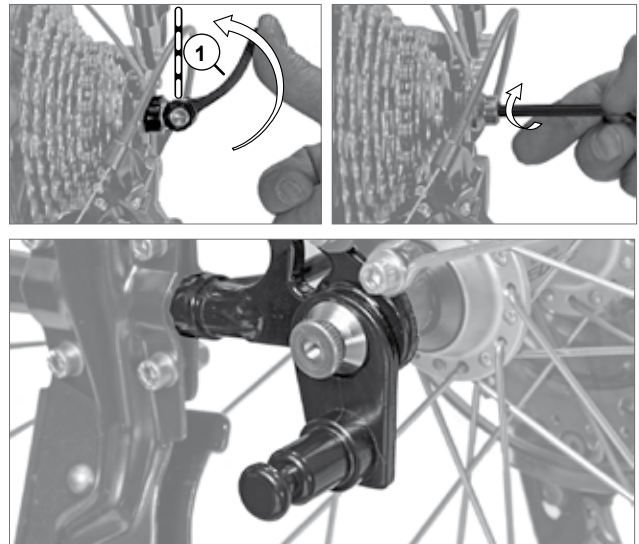
Converting the Croozer to a Bicycle Trailer

axle nut adequately may result in accidents with serious injury or death. If it is not possible to tighten the axle nut five full turns, then the quick-release skewer is too short and must be replaced. Consult a professional bicycle mechanic for the appropriate parts and assistance.

5. Check that the rear wheel of the towing bicycle is properly aligned, adjusting the position if necessary; then close the quick-release lever or tighten the Allen bolt, depending on the type of quick-release skewer. Often, the closed position is indicated on the lever by the word "CLOSE". In this case, when the lever side marked "CLOSE" can be seen, the lever is in the closed position. If the axle nut has been tightened the proper amount, you will be able to feel the resistance increase when the lever is about halfway closed, i.e. parallel to the axle. The adjustment is correct if you can fully close the lever but with considerable force. In the closed position, the lever should be parallel to the frame, i.e. it should not stick out to the side.
6. Check whether the quick-release skewer is securely engaged by trying to rotate the quick-release skewer without opening the lever.

If the quick-release is loose enough to rotate, then the clamping force is inadequate. In this case, open the lever, and tighten the axle nut half a turn clockwise. Repeat steps 5 and 6.

If it is impossible to push the quick-release lever into the closed position, then open the lever, and unscrew the axle nut half a turn anticlockwise. Repeat steps 5 and 6. Keep in mind that the axle nut must engage the threads of the quick-release skewer for at least five full turns.



WARNING!

The axle nut must engage the threads for at least five full turns in order to ensure adequate clamping force for holding the rear wheel securely. Failure to tighten the axle nut adequately may result in accidents with serious injury or death. If it is not possible to tighten the axle nut five full turns, then the quick-release skewer is too short and must be replaced. An extra-long quick-release axle is available as an accessory. Consult a professional bicycle mechanic for the appropriate parts and assistance.

Tip: *If there is not enough space for mounting the axle hitch or if the skewer threads are too short, then you can replace the original skewer with a Croozer Click & Crooz® Quick Release Skewer with integrated hitch, which is available as an accessory.*

7. Finally, hold the rear wheel with both hands and try to rock it back and forth to check that the wheel is held securely in the dropouts.



WARNING!

The rear wheel of the towing bicycle must be properly installed after the axle hitch has been mounted. Riding with an improperly installed rear wheel can result in accidents with serious injury or death. Follow the instructions and warnings given in the owner's manual of the towing bicycle. There are many different types of axles. When in doubt, consult a professional bicycle mechanic.



Installing the axle hitch to a bicycle with a solid axle

1. Remove the axle nut (1) on the left side of the rear wheel by turning it anticlockwise.



WARNING!

It is vitally important that you leave the retaining washer (2) on the axle. This washer prevents the axle from rotating in the dropouts. Riding without the retaining washer can result in accidents with serious injury or death.

2. Without removing the retaining washer, feed the end of the axle through the hole in the axle hitch (3).
3. Screw the axle nut (1) back onto the axle, tightening at least five full turns.



WARNING!

The nut must engage the threads for at least five full turns in order to ensure adequate clamping force for holding the rear wheel securely. Failure to tighten the nut adequately may result in accidents with serious injury or death. If it is not possible to tighten the nut at least 5 full turns, then the axle is too short, and the axle hitch cannot be used! Consult a professional bicycle mechanic for the appropriate parts and assistance.

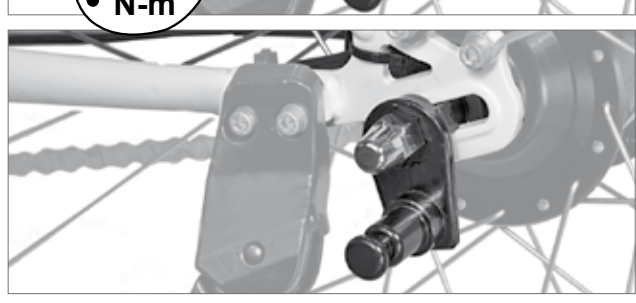
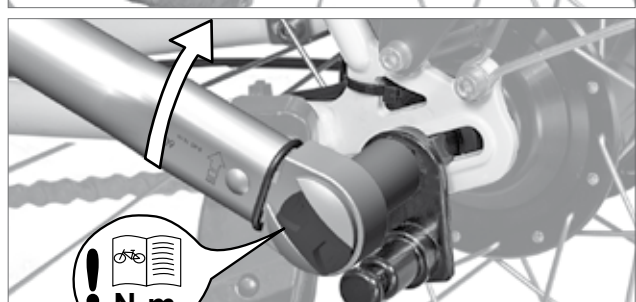
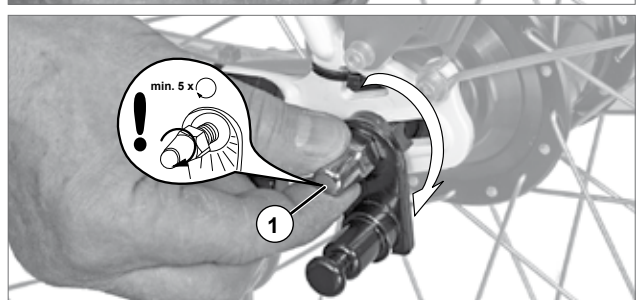
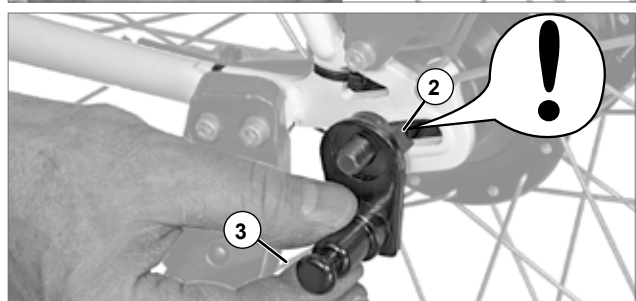
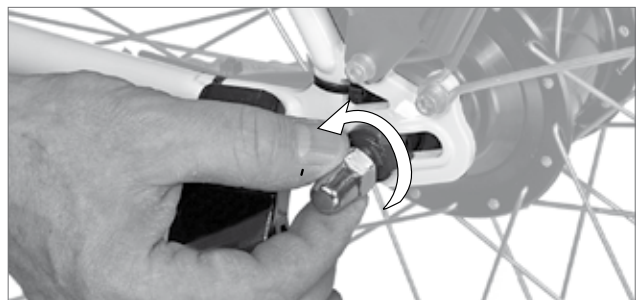
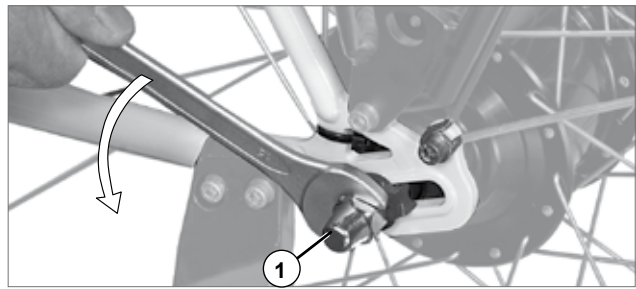
4. Check that the rear wheel of the towing bicycle is properly centred, adjusting the position if necessary; then tighten the axle nut (1) using the tightening torque specified in the owner's manual of the bicycle. Be sure to hold the axle hitch in place while tightening the nut.
5. Finally, hold the rear wheel with both hands and try to rock it back and forth to check that the wheel is held securely in the dropouts.



WARNING!

The rear wheel of the towing bicycle must be properly installed after the axle hitch has been mounted. Riding with an improperly installed rear wheel can result in accidents with serious injury or death. Be sure to follow the instructions and warnings given in the owner's manual of the towing bicycle. When in doubt, consult a professional bicycle mechanic.

Tip: *If there is not enough space for mounting the axle hitch or if the threads of the axle are too short, then you can replace the original axle nut with a Croozer Click & Crooz® Axle Nut Hitch, which is available as an accessory.*



Accessory



www.croozer.com



Converting the Croozer to a Bicycle Trailer

Installing the safety flag

The safety flag makes it easier for other road users to see the Croozer, increasing your child's safety, as well as your own. Therefore, never use the Croozer as a Bicycle Trailer without the safety flag installed.

The safety flag slides into a canvas sleeve that is attached to the left rear frame tube with two Velcro straps.

1. Assemble the flag pole (1) by connecting the two sections of the pole.
2. Slide the flag pole through the opening (2) where the handlebar passes through the fabric cover.
3. Guide the pole of the safety flag into the canvas sleeve (3) attached to the rear frame tube.



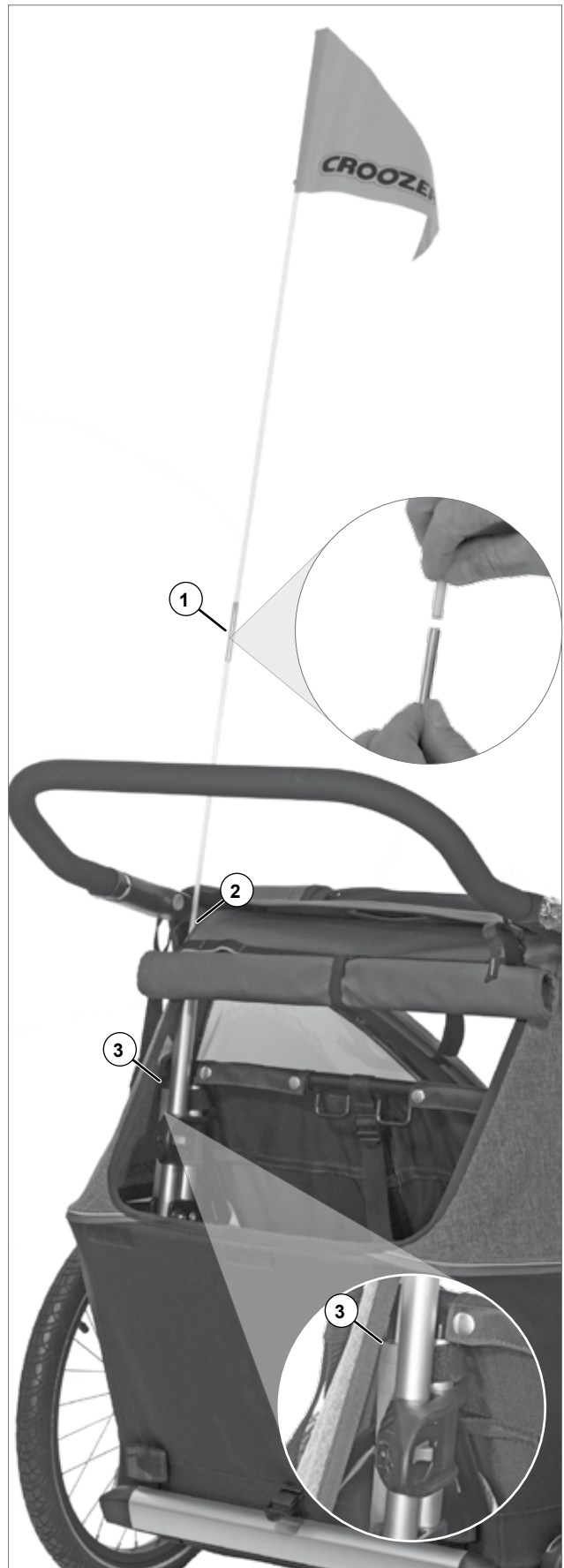
WARNING!

When pulling the Croozer as a Bicycle Trailer, the safety flag must be properly installed at all times. If the safety flag is not properly installed, other road users may fail to see the Croozer, which could result in accidents with serious injury or death.

NOTICE

Be sure to remove the safety flag before folding the Bicycle Trailer. Otherwise, the rod of the safety flag could break.

Tip: *When you are using the Croozer in countries with left-hand traffic, the safety flag must be used on the right side of the Croozer. To move the flag, the canvas sleeve can be easily removed and reattached to the right rear frame tube using the Velcro straps.*



Converting the Croozer to a Stroller

If the hitch arm or Jogger Kit (accessory) has been mounted to the Croozer, remove these components and lock the respective security pins into the appropriate holes.

NOTICE

Never leave the security pins hanging freely from their straps. They could get caught on passing objects and be pulled off, damaging parts of the vehicle.

Installing the Stroller wheel

Tip: The first time you install the Stroller wheel, we recommend tipping the Croozer onto its back end (resting on the handlebar) in order to have a better view of the parts while familiarising yourself with the procedure. Make sure that your working surface is clean and smooth to avoid soiling and/or damaging the fabric body. Later, once you are familiar with the installation and removal procedures, you can install the Stroller wheel with the front of the Croozer slightly raised.

1. Lift the front of the Croozer, or tip the frame onto its back end.
2. Insert the Stroller wheel (1) into the Stroller-wheel socket (2) as far as it will go. You should be able to hear and feel it lock into place.



CAUTION!

Always check that the Stroller wheel is engaged securely in the socket and cannot be pulled out without pressing the button. If the Stroller wheel is not locked securely in the socket, it could fall off while in use, resulting in accidents with injuries.

3. To remove the Stroller wheel, press the button (3) and pull the Stroller wheel out of the socket.

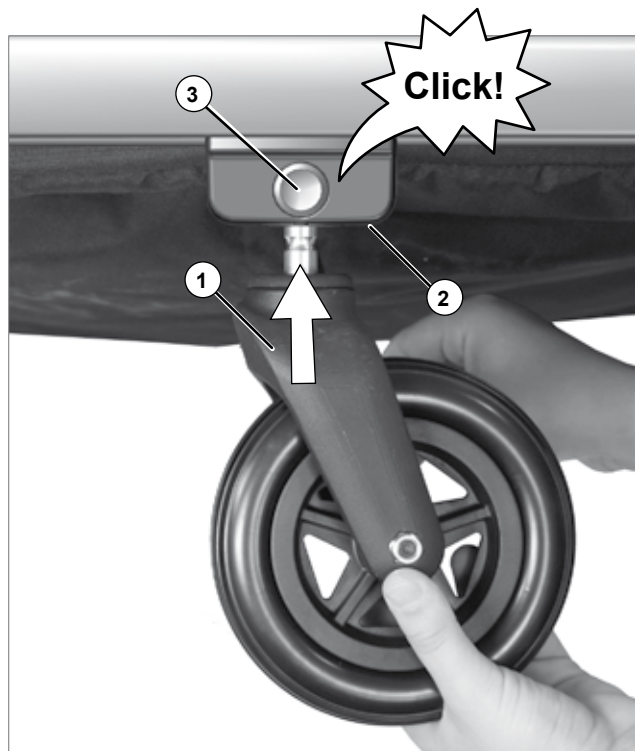


CAUTION!

Never leave the Stroller wheel attached when using the Croozer as a Bicycle Trailer. The Stroller wheel could get caught on obstacles as you pass, resulting in accidents with injuries.

NOTICE

Be sure to remove the Stroller wheel when pulling the Croozer as a Bicycle Trailer. The Stroller wheel could get caught on obstacles as you pass, causing damage to the wheel.



Using your Croozer

Engaging and disengaging the parking brake

The parking brake locks the wheels of a parked or stopped Croozer to prevent it from rolling away. Never use the parking brake to slow down the Croozer when in motion. Always engage the parking brake in the following situations:

- when releasing the handlebar of a parked/stopped Stroller or Jogger (accessory)
- when loading/unloading children or helping a child into or out of the Jogger (accessory), Stroller or Bicycle Trailer
- when folding the Croozer

The parking brake is operated by a lever behind the right wheel of the Croozer. When the parking brake is engaged, both wheels are locked.

1. To engage the parking brake, pull the lever (1) towards the back of the Croozer.
2. Give the Croozer a gentle push and pull to check that the brake is correctly engaged.
3. To release the parking brake, push the lever (1) forward as far as it will go. When the brake is correctly disengaged, the Croozer wheels will be able to move freely.



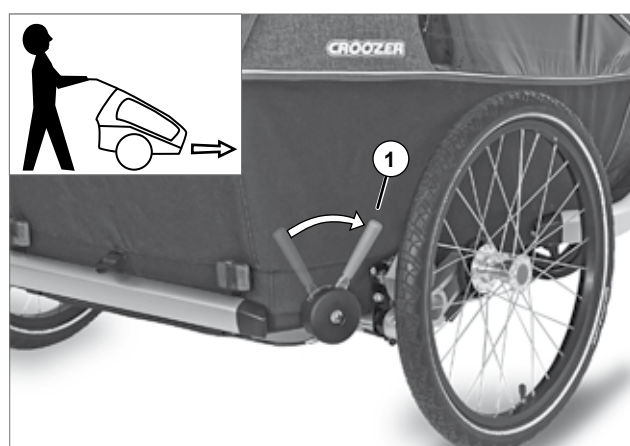
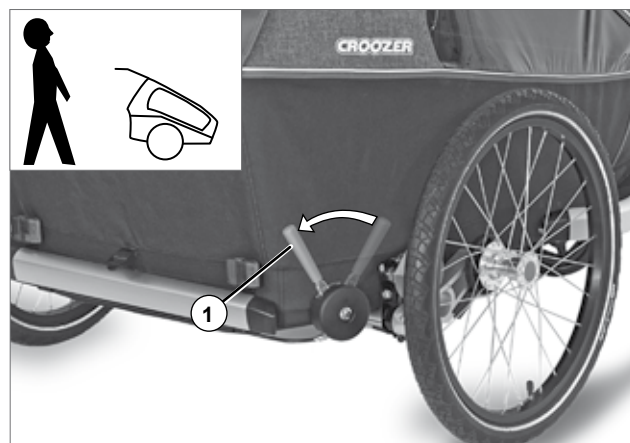
WARNING!

Always set the parking brake when releasing the handlebar of the parked/stopped Croozer, when loading/unloading children and when children are getting into and out of the passenger compartment. After setting the parking brake, be sure to check that the wheels are securely locked by giving the Croozer a gentle push and pull. If the parking brake is not securely engaged, the Croozer could roll into harm's way, causing accidents with serious injury or death, or it could roll when you are loading/unloading children or when children are getting into or out of the passenger compartment, resulting in serious injuries to the children.

NOTICE

Never use your foot for operating the parking brake lever. Doing so could damage the braking mechanism.

Never attempt to pull the Bicycle Trailer or push the Stroller or Jogger (accessory kit) with the parking brake engaged, as doing so could damage the braking mechanism and tyres.



Opening and closing the cover

The 2-in-1 cover consists of a transparent plastic window (1), which protects the passenger(s) from wind and light rain, and a mesh cover (2) beneath it.

When unrolled, the mesh cover, or both covers together, are secured using Velcro tabs (5) on the lower frame. The plastic window is attached to the mesh cover with zippers (4). It can be rolled up by itself or together with the mesh cover and is secured at the top using elastic loops with hooks (3).

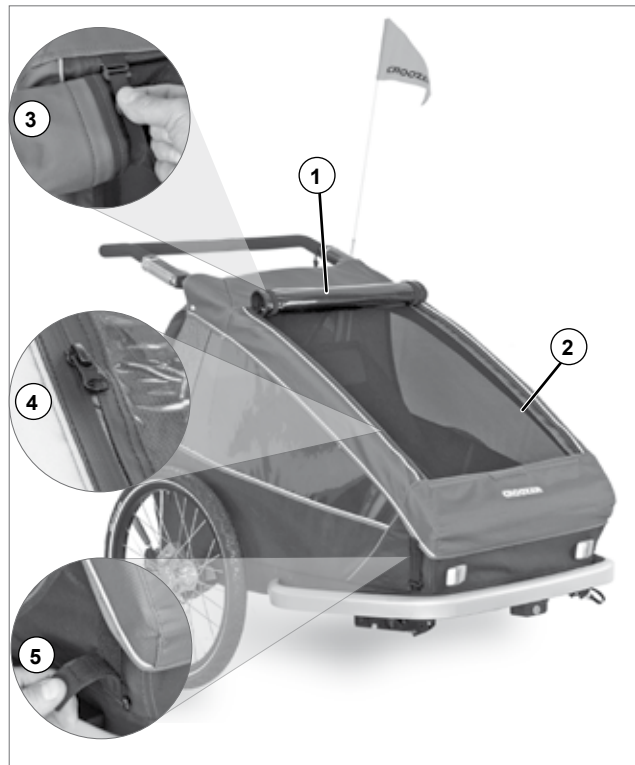


WARNING!

In order to prevent insects, small stones and other debris from flying into the passenger compartment and injuring passengers, be sure to keep the plastic window and/or mesh cover closed at all times when pulling the Croozer as a Bicycle Trailer.

Tip: For stronger rain, we recommend using the additional Rain Cover, which is available as an accessory.

Tip: If the 2-in-1 cover is completely closed, you can roll up the cargo-compartment cover for better ventilation. If it is raining and all covers need to be closed, you can use the ventilation insert (accessory).



Loading and unloading passengers

When loading or unloading children or, in the case of older children, when the passengers are getting into or out of the seat, the parking brake of the Croozer must be engaged to prevent unintentional rolling. In addition, when you are using the Croozer as a Bicycle Trailer, the towing bicycle must be safely and securely supported to prevent it from falling over.

1. Open the cover, roll it up, and secure it at the top, using the elastic loops and hooks (3).
2. If you are near traffic, have the child get in from the side that is away from the traffic if possible. When using the vehicle as a Bicycle Trailer, passengers should climb in from the right side (with respect to the direction of travel) so that they do not have to step over the hitch arm. Always assist children as they enter and exit the passenger compartment.

NOTICE

Never allow the child to sit or stand on the bumper, the hitch arm or the wheel arms of the Jogger Kit (accessory), as doing so could damage these parts.



Hitching the Croozer to the towing bicycle

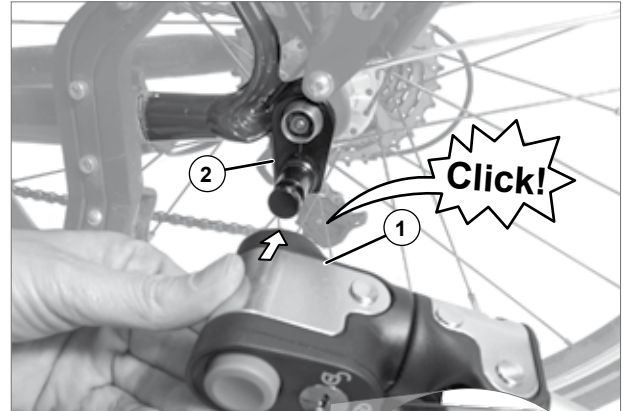


WARNING!

It is vitally important that you check whether the towing bicycle has been approved by its manufacturer for pulling a trailer. Towing a trailer with an unsuitable bicycle can result in frame breakage and accidents with serious injury or death.

Never hitch the Trailer with passengers inside.

1. Lift the hitch arm of the Croozer, and push the hitch connector (1) as far as it will go onto the axle hitch (2) that has been installed on the towing bicycle. You should hear a click and be able to see that the axle hitch is securely engaged in the hitch connector. Pull gently on the hitch connector to ensure that it is locked securely to the axle hitch.



WARNING!

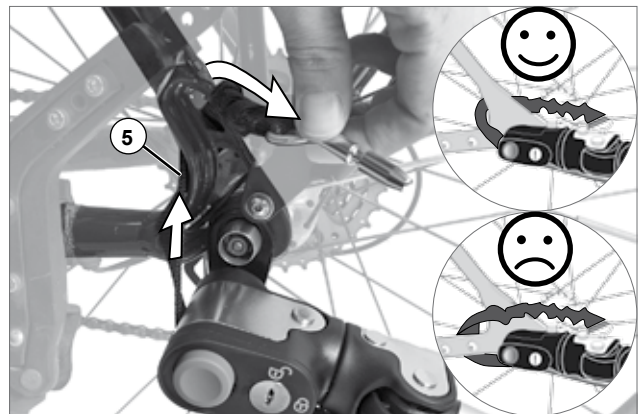
Always check to make sure that the axle hitch is locked securely in the hitch connector. If the axle hitch is not locked securely in the hitch connector, the Croozer could become unhitched while riding, resulting in accidents with serious injury or death.

2. Wrap the hitch-arm safety strap (5) around the seat stay of your bicycle, and push the pin (4) into the hole (6) until you hear it click into place. Pull up on the pin to make sure that it is locked securely in the hole.



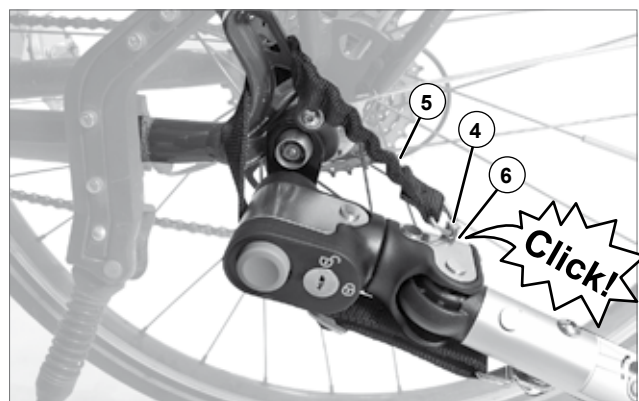
WARNING!

The hitch-arm safety strap must be wrapped around a part of the bicycle frame, ideally the seat stay. Rear carrier stays or mudguard stays do not offer enough stability and are therefore not suitable as sites for securing the hitch-arm safety strap. The safety strap ensures that the Croozer would remain connected to the towing bicycle if the hitch connector were to fall off the axle hitch. Failure to keep the safety strap mounted can result in serious injury or death.



NOTICE

The front part of the hitch-arm safety strap is elastic. After the hitch-arm safety strap has been wrapped around the seat stay and the pin has been inserted into the hole, the strap should be under slight tension so that it cannot come in contact with moving parts. If the hitch-arm safety strap is not wrapped around the seat stay correctly, it could be destroyed by rotating parts, such as the spokes, hub or disc brake, while riding.



WARNING!

Never pull the Croozer as a Bicycle Trailer with a defective hitch-arm safety strap or without the hitch-arm safety strap securely fastened to the towing bicycle. The safety strap ensures that the Croozer would remain connected to the towing bicycle if the hitch connector were to fall off the axle hitch. Failure to keep the safety strap mounted can result in serious injury or death.

- Tip:** The length of the hitch-arm safety strap can be adjusted. The hitch-arm safety strap must be adjusted to the shortest possible length so that it cannot come in contact with the spokes, hub or disc brakes. Check, and if applicable readjust, the length of the hitch-arm safety strap whenever you use the Croozer with a different bicycle.





CAUTION!

Never leave the Stroller wheel attached when using the Croozer as a Bicycle Trailer. The Stroller wheel could get caught on obstacles as you pass, resulting in accidents with injuries.

- In order to prevent spontaneous theft or the unhitching of the Croozer from the towing bicycle by an unauthorised person, the hitch connector is equipped with a hitch lock. This mechanism makes it possible to lock the Croozer to the towing bicycle.

Locking: Insert the key into the lock, turn the key to the horizontal position, and remove it.

Unlocking: Insert the key into the lock, turn the key to the vertical position, and remove it.

NOTICE

Never leave the key in the lock when pulling the Bicycle Trailer. The key could break off.

Tip: The hitch lock comes with three keys. If you need additional keys, you can have duplicates made by a locksmith or another key-cutting service (key blank Silca no. LS11).

Tip: If the lock becomes stiff after a while, you can lubricate the cylinder. However, it is important that you only use penetrating oil or a special spray for cleaning and lubricating locks. Conventional chain oil or grease will collect dirt and “gum up” the lock cylinder.

NOTICE

The hitch lock by itself does not adequately protect the Croozer from theft over longer periods of time. Always use one or more bicycle locks to secure both the towing bicycle and the Croozer to fixed, immovable objects, like lamp posts etc.

Tip: You can use a shackle lock or a cable lock to secure the bumper to an immovable object.

Unhitching the Croozer from the towing bicycle

- To unhitch the Croozer, follow the instructions above in the reverse order. Open the hitch-connector lock. Remove the pin of the hitch-arm safety strap and let the strap hang loose. Press the button and pull the hitch connector off the axle hitch.



unlocked



locked



Using your Croozer

Fastening and unfastening the safety harness

The 5-point safety harness consists of two shoulder straps (1), two lap belts (2) and a crotch strap (3), which are all individually connected to the centre buckle (4). The pads of the shoulder straps and lap belts provide additional comfort.



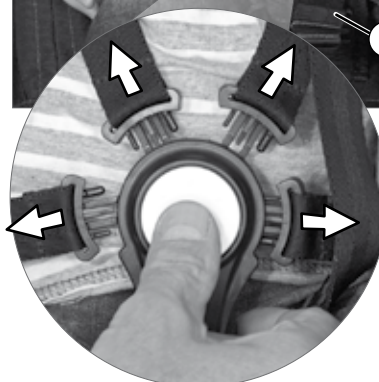
WARNING!

When using the Croozer to transport children who are not able to sit upright unassisted or babies under 6 months of age, you must use the original Croozer Baby Seat (accessory). The seats and safety harnesses in the Croozer passenger compartment were designed for older children up to 100 cm (39 inches) in height. In dangerous situations, a baby could slip out from under the safety harnesses, resulting in serious injury or death.

Tip: For infants from approx. one to ten months of age, use the original Croozer Baby Seat, which is available as an accessory.

Opening the harness

1. Press the button (4) on the centre buckle in order to release the clips attached to the shoulder straps and lap belts.
2. Allow the crotch strap (3) to hang down towards the foot area, and drape both shoulder straps (1) and lap belts (2) over the edges of the seat so that the child can be placed comfortably into the seat.



Fastening the harness

1. Make sure the harnesses are unbuckled; then place the child in the seat.
2. Place the crotch strap (3) between the child's legs, with the centre buckle (4) resting on the child's upper body.
3. Pull the shoulder straps (1) over the shoulders and the lap belts (2) around the hips of the child. Insert all clips into the centre buckle. For each strap, you should hear a click and be able to see that the clip is securely fastened in the buckle.



WARNING!

Children riding in the vehicle must be strapped into the safety harnesses at all times. Otherwise, in dangerous situations, the child could fall out of the seat, resulting in serious injury or death.



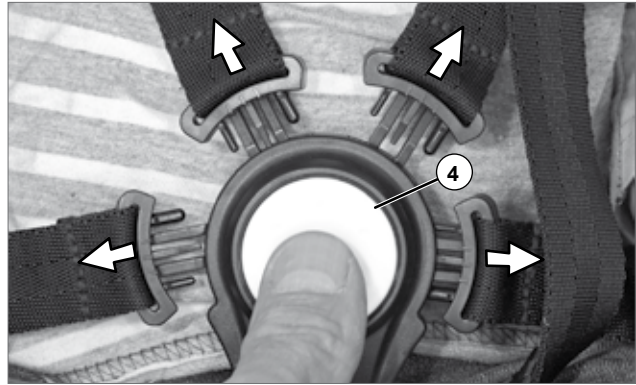
WARNING!

Failure to adjust the straps of the safety harness properly or to fasten the buckles correctly could result in serious injury or death in the event of an accident.



Unfastening the harness

1. When you press the button (4) of the centre buckle, the clips attached to the shoulder straps and lap belts will be released.



Adjusting the safety harness

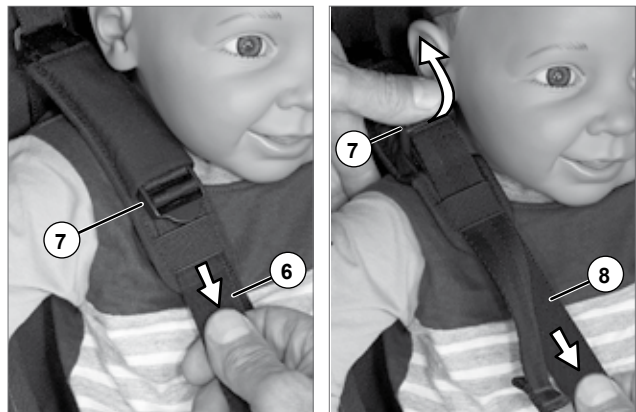
1. Make sure the harnesses are unbuckled; then place the child in the seat.
2. Slide the triglide adjusters (5) up or down to adjust the height of the shoulder straps.
3. Buckle the child into the seat if the straps are long enough.



4. All straps can be shortened or lengthened in the same manner. The photos on the right show the adjustment of the shoulder straps as an example.

- Shortening:** Shorten any strap by pulling on the end (6).
- Lengthening:** Lengthen any strap by lifting the adjustment buckles (7) and pulling on the strap (8).
5. Adjust the tension of all straps so that the child is held securely but comfortably in the harness (i.e. ensure that the straps are snug but not so tight that they cause discomfort).

Tip: In general, if your flat hand fits between the snug straps and the child, then the harness has been properly adjusted.



WARNING!

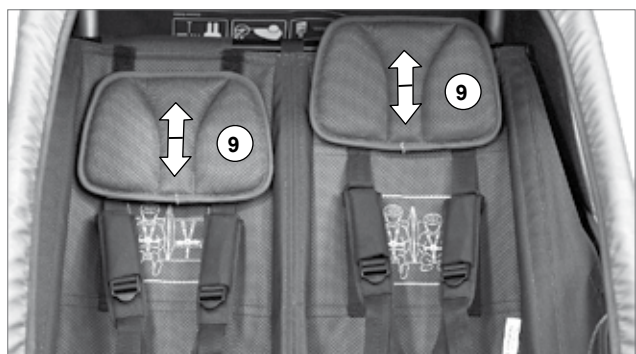
The distance between the child's body and the shoulder straps and lap belts must be as small as possible to ensure that the passenger is held securely in the seat. If the distance is too great, the safety harness may not be able to hold the child securely, which in the event of an accident could result in serious injury or death. If the distance is too small, the straps can press too tightly against the child's body, causing discomfort.

Adjusting the head pads to the child's height

The Velcro strips at the top of the seatback can be used for attaching the head pads (9). The position of the head pads can be adjusted to the height of the child.

1. Pull off the head pad (9).
2. Press the head pad onto the Velcro strips of the seatback at the appropriate height.

Tip: If your child is wearing a helmet, you can remove the respective head pad for a more comfortable sitting position.



Using your Croozer

Transporting cargo

Load capacity and cargo compartments

The Croozer has a large cargo compartment (1) behind the seat for holding your gear and essentials. The cargo compartment has an inside pocket (2) with a Velcro closure; this pocket can be used for stowing the Stroller wheel when not in use. The cargo-compartment separator ensures that no cargo items can slide forward into the foot area of the passenger compartment.

In the passenger compartment, beside the seats, are two mesh pockets (3) for smaller take-along items, such as drinking bottles, dummies/pacifiers, sunglasses etc.

Tip: For additional cargo capacity with the Stroller or Jogger (accessory), we recommend using the optional Croozer Handlebar Bag that is available as an accessory.

When using the Croozer, never exceed the weight limits specified below:

Maximum Load* (Passengers + Cargo)	
One-seater	35 kg (77 lb), max. 1 child
Two-seater	45 kg (100 lb), max. 2 children
Of which in rear cargo compartment	max. 5 kg (11 lb)
Of which in Handlebar Bag (accessory)	max. 2 kg (4.4 lb)
* Weight limits only apply if the hitch-arm load is within the specified range of 3–8 kg (6.6 to 17.6 lb). See page 27.	

WARNING!

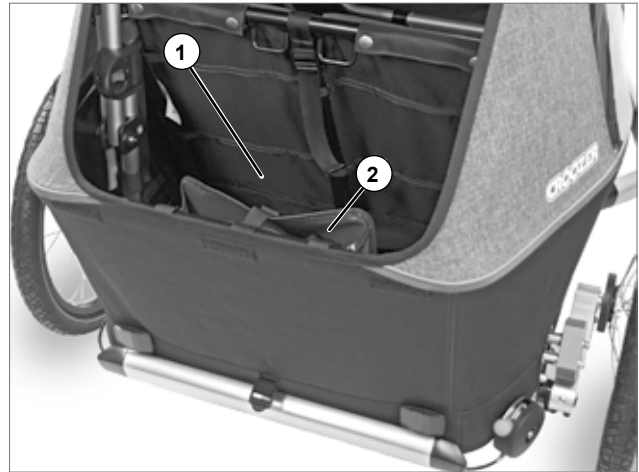
NEVER OVERLOAD THE CROOZER. Doing so can severely affect the Croozer's handling and cause accidents with serious injury or death.

WARNING!

Never transport cargo items together with children on the seat or in the foot area. The cargo could shift during transport and injure the Croozer passenger(s).

WARNING!

Cargo in the rear cargo compartment must always be well secured to ensure that it cannot shift during transport. Loose cargo can change the handling of the Croozer, which could cause accidents with serious injury or death. Furthermore, loose cargo items can fall against the seatback when braking and injure the passenger(s) in the Bicycle Trailer.



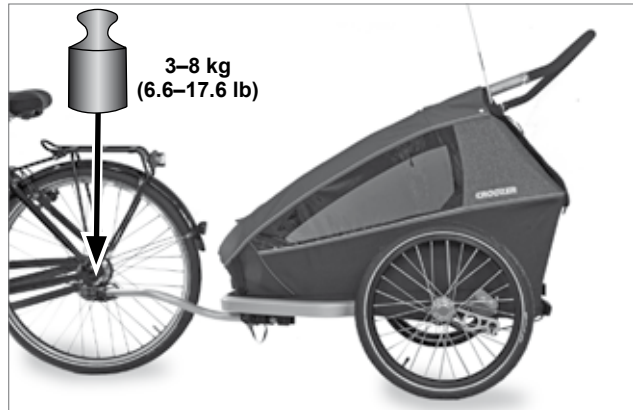
Proper weight distribution and hitch-arm load

For safe handling, the weight on the hitch connector should be between 3 and 8 kg (6.6 and 17.6 lb); the hitch-arm load (nose weight) is associated with an even distribution of weight in the trailer.

If the centre of gravity is too far forward, the hitch connector will be overloaded. If the centre of gravity is too far behind the wheels, the rear wheel of the towing bicycle could lose traction, especially when making turns. If the centre of gravity is too far right or left, the trailer has a stronger tendency to tip over when making turns. Check the weight on the hitch connector before using the Croozer as a Bicycle Trailer.

Follow these steps, using your bathroom scales, to determine the weight on the hitch connector:

1. Place your bathroom scales beside the hitch arm of the loaded and unhitched trailer.
2. Step onto the scales and make a note of your weight.
3. Now, while standing on the scales, lift the hitch connector of the hitch arm about 30 cm (1 foot) off the ground.
4. The weight shown on the scales should be 3 to 8 kg (6.6 to 17.6 lb) more than your own weight.



WARNING!

Never overload the trailer and never ride with a hitch-arm load that is outside the specified range of 3 to 8 kg (6.6 to 17.6 lb). Always distribute the load evenly. Failure to do so could compromise the handling properties and cause accidents with serious injury or death.



WARNING!

Never use the handlebar for carrying loads, such as children's vehicles or bags (other than the Handlebar Bag available as an accessory). Loading the handlebar compromises the stability and handling of the vehicle, which could result in accidents with serious injury or death.



WARNING!

Never transport cargo items together with children on the seat or in the foot area. Cargo in the rear cargo compartment must always be well secured to ensure that it cannot shift during transport. Loose cargo can change the handling of the Bicycle Trailer, which could cause accidents with serious injury or death. Furthermore, loose cargo items can fall against the seatback when braking and injure the passenger(s) in the Bicycle Trailer.

Tip: *There is a cargo-compartment separator behind the seat that prevents cargo items from sliding forward under the seat from the cargo compartment into the passenger compartment. See page 9.*

Using your Croozer

Using a lighting system

If you plan to use the Croozer as a Bicycle Trailer at night, dusk or dawn – or when visibility is in any way reduced – the trailer must be equipped with a lighting system.

The handlebar of the Croozer Kid Vaaya is equipped with an integrated, automatic Croozer Click & Flash® sensor-activated lighting system (1).

The Croozer Kid Keeke comes with a battery-powered light (2) that satisfies the legal requirements and is attached to the loop (3) at the top of the rear cover.

Switching the Click & Flash® lighting system on and off

For the applicable instructions, please see the separate manual for the lighting system.

Charging the battery of the Click & Flash® lighting system

For the applicable instructions, please see the separate manual for the lighting system.

Lighting options from other manufacturers, such as battery-powered LED lights, are also suitable for use with the Croozer.

The tail light (2) is attached to the left mounting loop (3) on the rear cover in countries with right-hand traffic (and on the right side in countries with left-hand traffic).



WARNING!

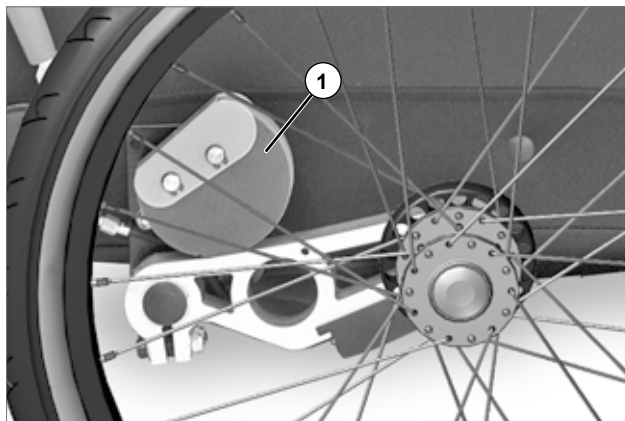
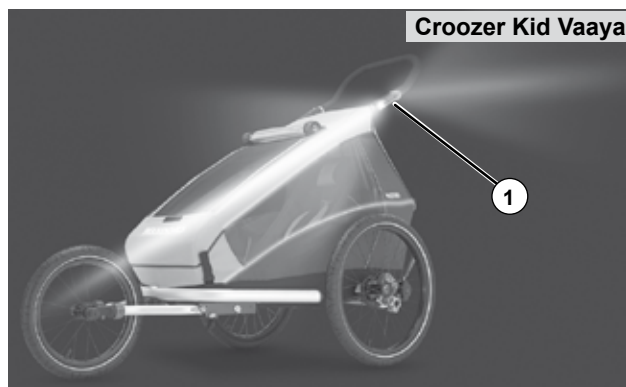
Never use the Croozer as a Bicycle Trailer without lighting at night, dusk or dawn – or whenever visibility is in any way reduced. Other road users may not be able to see you, which could result in accidents with serious injury or death.

Special features of the Croozer suspension system

For extra comfort, the Croozer is equipped with an AirPad® suspension system with Sylomer® (1).

The innovative Croozer AirPad® suspension automatically adapts to the weight of the passenger(s). This means that, unlike suspension systems that require adjustment, the AirPad® system is never too stiff or too soft. Bumps are effectively absorbed to prevent the Bicycle Trailer from rocking. The system is maintenance-free and works equally well in cold and warm weather.

Tip: *The colour of the Sylomer® AirPads® may change slightly over time if exposed to sunlight. However, this colour change has no effect whatsoever on the function of the suspension system.*



Special features of the Kid Vaaya seat material

On the Croozer Kid Vaaya, the outer surfaces of the seat, backrest and head pads and the inside surfaces of the seatbelt pads are made from climatex®.

This material, a mixture of natural and man-made fibres, ensures superb comfort in the seat. It quickly adapts to the temperature conditions, providing a cooling effect in hot weather and warmth in cold weather. For example, on warm summer days, it allows moisture to evaporate quickly, keeping your child dry.

In addition, this material is easy to care for and particularly sustainable. It is made from “specified new wool”, a textile fibre derived from white European beech and a polymer fibre with excellent recyclability.



Special considerations when riding with the Bicycle Trailer

Speed

When pulling the Bicycle Trailer, never ride faster than its maximum allowable speed of 25 km/h (15 mph). Always reduce your speed to a walking pace when turning. Keep in mind that riding speed is often underestimated, especially on bikes with electric assist, which require less muscle power.

In addition, braking distance is increased when pulling a bicycle trailer.



WARNING!

Riding too fast could cause the Bicycle Trailer to skid or even tip over, resulting in accidents with serious injury or death.

Load capacity

Never transport more than the specified load capacity (passengers + cargo). And never ride with less than 3 kg (6.6 lb) or more than 8 kg (17.6 lb) of weight on the hitch arm (nose weight). See section "Transporting cargo" on page 26-27.



WARNING!

NEVER OVERLOAD THE CROOZER. Doing so can severely affect the Croozer's handling and cause accidents with serious injury or death.

Adult supervision



WARNING!

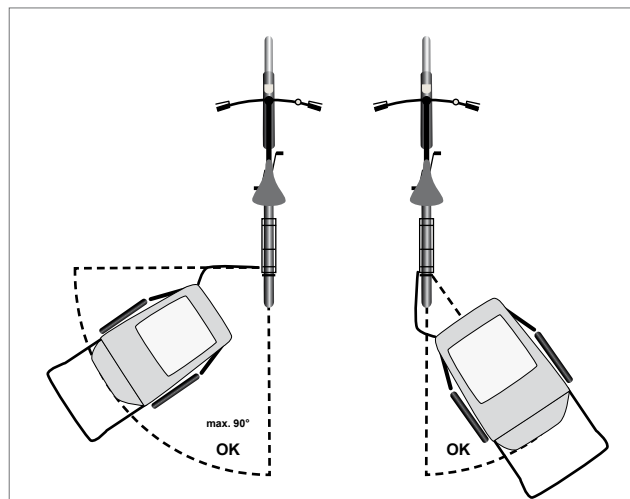
Never leave a child in the Bicycle Trailer unattended, not even briefly. In your absence, hazardous, unforeseen situations could arise, including accidents with serious injury or death.

Tips for the towing bicycle

- For towing the Croozer, we recommend using a bicycle with multiple gears. The more speeds the bicycle has, the easier it will be to find the appropriate gear, for example, when starting, climbing hills and riding with a headwind.
- The towing bicycle must have two strong, independently operated brakes that are not only in perfect working order but also work effectively in wet weather conditions. This is vitally important, as the brakes must be able to stop the bike with the additional weight of the trailer.
- The towing bicycle must have a sturdy, rear-mount or double kickstand able to hold the bicycle firmly upright to guarantee safety and comfort when loading and unloading children. Single-legged kickstands mounted in the middle of the bicycle, under the bottom bracket, are NOT suitable because the weight of the hitched Bicycle Trailer, which rests on the rear axle, would make the parked bicycle unstable. Consult a bicycle shop for assistance in choosing the right kickstand.
- We recommend riding with a rear-view mirror on the towing bicycle. A rear-view mirror makes it easier to check on passengers in the Bicycle Trailer and keep an eye on the vehicles behind you so that you can react appropriately. Always ride defensively.
- The towing bicycle should have a long rear mudguard with a mud flap in order to protect passengers from stones and other road debris that could be thrown up by the rear tyre and to avoid soiling the body and interior of the trailer.

Guidelines and tips for riding with children in the Bicycle Trailer

- When pulling a loaded trailer, the handling, balance and performance of the towing bicycle will be affected, especially when starting, braking, turning or riding downhill. It is vitally important that you familiarise yourself with the Croozer before you use it for transporting children. Prior to your first trip, we recommend taking a practice ride without your child(ren) in a calm, traffic-free area; load the bicycle trailer with cargo of approximately the same weight as your child(ren), for example, by strapping a loaded backpack into the cabin. This is a great way to acquaint yourself with the handling of the bicycle and the dimensions of the trailer.
- The safety flag on the long, vertical pole will make you more visible to other road users. Never ride without the safety flag properly mounted.
- Always ride with the cover closed to protect passengers from injuries associated with stones and other road debris, as well as flying insects. You can roll up the cargo-compartment cover for better ventilation. If it is raining and all the covers need to be closed, you can use the ventilation insert (accessory).
- Always use available bike paths or lanes when pulling the Bicycle Trailer. Be especially careful when riding on narrow bike paths or lanes, as well as on paths and trails with two-way traffic. The trailer is generally wider than the handlebars of the towing bicycle. In addition, most trailers will not be centred behind the towing bicycle. Reduce your speed in places where navigation is especially challenging; if you are ever in doubt about whether the trailer will be able to fit through an opening, dismount and push the bike and trailer through.
- When turning left, never allow the angle between the rear wheel of the towing bicycle and the hitch arm of the trailer to be extended more than 90°. Turning at sharper angles could damage the hitch connector. Be extremely cautious when turning right, as sharp right turns can cause the wheel to hit the hitch arm, potentially damaging the hitch arm and/or the rear wheel of the towing bicycle.
- One-seaters and two-seaters both use the same hitch arm. Therefore, one-seaters will not be perfectly centred behind the bicycle. This has no effect on the handling or safety.
- Reduce your speed when riding on paths or streets with bumps or uneven surfaces to keep the ride as smooth and safe as possible for your passenger(s). Reduce your speed when turning. Otherwise the centrifugal force could cause the Bicycle Trailer to tip over.
- Keep in mind that braking distance is increased when pulling a bicycle trailer.
- Be cautious, patient and attentive when riding with your child. To give your child time to get used to riding in a trailer, keep your first few trips short and easy.
- Children in the Trailer should wear a helmet at all times. In the case of an accident, a helmet provides additional protection. In some countries, the use of helmets is required by law.
- Dress passengers appropriately, and check on them frequently to make sure they are comfortable in the Croozer, with adequate ventilation. Under the Rain Cover, the passenger compartment can become warm more quickly than otherwise, especially in direct sunlight. However, in colder weather, children sitting inactively



Using your Croozer

in the trailer will feel colder and need more insulation than the person who is pedalling the towing bicycle. In the winter months, be sure to cover passengers with a blanket, or use a footmuff. You will find a list of accessories for your Croozer in the back of this manual.

- Always take along small toys so that your child does not get bored, and when planning longer trips, keep in mind that your child will require frequent breaks. Be attentive to your child at all times, especially when riding over bumpy surfaces. In these situations, ride slowly and cautiously.
- The Seat Support available as an accessory from Croozer dealers gives your child additional support in the passenger seat.
- If you are planning a cycling trip abroad with the Bicycle Trailer, be sure to familiarise yourself in advance with the legal requirements that apply in the country or countries you intend to visit. Some countries do not permit the transport of children in bicycle trailers, and others impose certain age restrictions for the child passenger.
- The equipment legally required for bicycle trailers varies from country to country, and sometimes even from state to state. Be sure to observe and comply with the laws that apply in the country or state where you will be using the Croozer.

Special considerations when using the Stroller or Jogger (accessory)

Speed and load capacity



WARNING!

This product is not suitable for running or skating! In accordance with standard EN 1888 for wheeled child conveyances, Croozer GmbH is required to provide this warning. The Croozer with the Jogger Kit installed is categorised by the GS ("Tested Safety") certification body as an open stroller that can only be used for running if it is equipped with a hand-operated service brake. Owing to the Croozer's safe passenger compartment and low centre of gravity, Croozer GmbH considers it safe to use the Croozer Jogger for running, even without a service brake. In spite of the safe passenger compartment, the use of a Croozer for skating is expressly prohibited. Croozer GmbH will not be liable for any material damage or bodily injury resulting from the improper use of a Croozer.

The Stroller and Jogger have the same load capacity as the Bicycle Trailer. See page 26 for applicable weight limits.



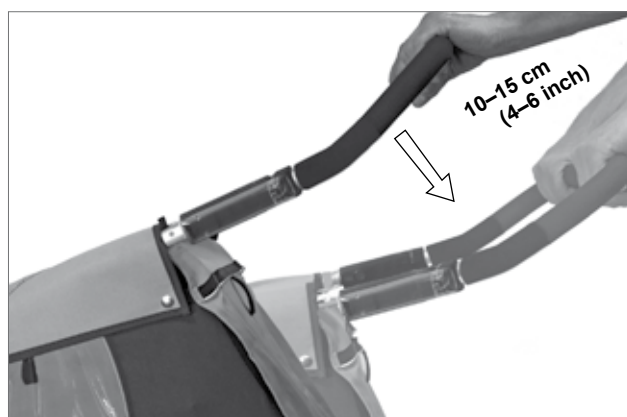
WARNING!

Never carry more than the maximum allowable weight. Overloading the rear cargo compartment or the optional Handlebar Bag could cause the Croozer to tip backwards, resulting in serious injuries for your child.



WARNING!

Never use the handlebar for carrying loads, such as children's vehicles or bags (other than the Handlebar Bag available as an accessory). Loading the handlebar could cause the Croozer to tip backwards, resulting in serious injuries for your child.



Tip: If you are not sure whether your Croozer is overloaded, you can perform this simple test **WITHOUT PASSENGERS**:

Depress the handlebar of the loaded Croozer by about 10 to 15 cm (4 to 6 inches) to raise the front wheel.

Then carefully release the handlebar. If the Croozer immediately returns to its original standing position, then it is correctly loaded. If not, e.g. if the Croozer tips backwards, then it is overloaded and cannot be used. NEVER OVERLOAD YOUR CROOZER.

Adult supervision



WARNING!

Never leave a child in the Croozer unattended, not even briefly. In your absence, hazardous, unforeseen situations could arise, including accidents with serious injury or death.

Parking the Stroller or Jogger (accessory)

Only park the Croozer on flat surfaces, and always secure it with the parking brake.



WARNING!

Always set the parking brake when releasing the handlebar of the parked/stopped Croozer. After setting the parking brake, be sure to check that the wheels are securely locked by giving the Croozer a gentle push and pull. If the parking brake is not correctly engaged, the Croozer could roll into harm's way, resulting in accidents with serious injury or death.

Guidelines and tips for using the Stroller and Jogger (accessory)

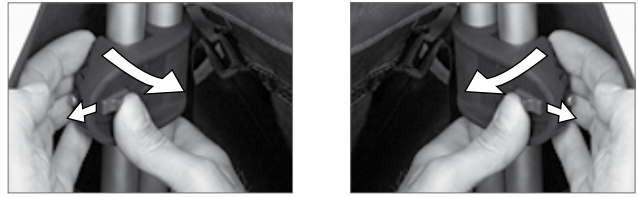
- Dress passengers appropriately, and check on them frequently to make sure they are comfortable in the Croozer, with adequate ventilation. Keep in mind that, when the Rain Cover is attached, the passenger compartment can become warm more quickly than otherwise, especially in direct sunlight. However, in colder weather, children sitting inactively in the Croozer will feel colder than the person pushing the Croozer. In the winter months, be sure to cover passengers with a blanket, or use a footmuff. You will find a list of accessories for your Croozer in the back of this manual.
- Never allow children to step, sit or lean on the wheel arms of the Jogger (accessory kit), e.g. when climbing into or out of the Croozer.
- Never manoeuvre the Croozer over stairs or other obstacles. The jolting motion could injure your child and/or damage the Croozer.
- Always use the safety harness and ensure the straps are correctly adjusted to fit the child snugly and comfortably.

Transporting Your Croozer

Transporting Your Croozer

The Croozer can be folded to a compact size for transport.

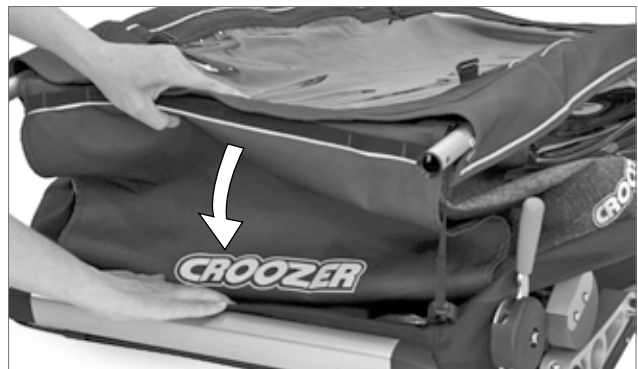
1. Before folding, make sure the Croozer is completely empty.
2. Remove, as applicable, the hitch arm, safety flag, Stroller wheel and/or Jogger Kit components (accessory). A mounted Baby Seat can remain attached. It folds up together with the Croozer.
3. Remove the handlebar. See page 13.
4. Remove the side wheels. See page 12.
5. Remove the front bumper if you are planning on packing or storing the Croozer in its original box. See page 10.
6. Fold the Croozer. See page 9.



NOTICE

When folding the Croozer, never let the plastic side windows get pinched between the frame parts, as this could damage the windows.

7. Place all removed parts (except the bumper) inside the Croozer. Use packaging material for padding if desired.
8. Close the cover. See page 21.
9. Remove the transport safety strap (1) from the pocket (2) under the cover at the rear of the Croozer. Slide the hook (3) through the loop (4), and pull the transport safety strap tight (5).
10. The Croozer is now ready for transport in a vehicle.



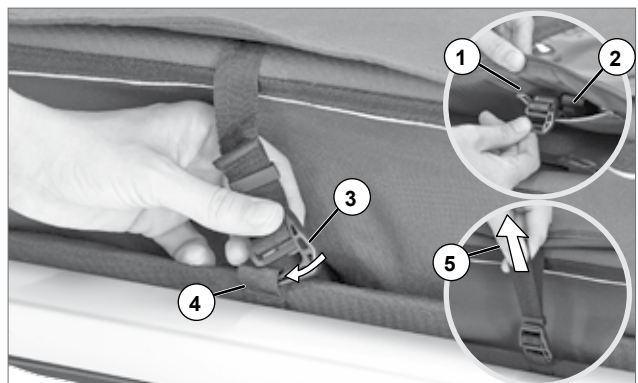
NOTICE

Check that no sharp objects are positioned in such a way that they could damage the fabric body or plastic windows during transport. Use padding material.

NOTICE

Never transport the Croozer – even when folded – on the roof of a motor vehicle, as this could damage the fabric body.

Tip: Use caution when placing the folded Croozer into the trunk of a car or on the floor of a room, because the exposed metal parts beneath the Croozer could damage the surface it is placed on.



11. For air travel etc., we recommend packing the folded Croozer in its original box. To do so, the front bumper must be removed. Use padding material to prevent the Croozer from moving around inside the box.



Croozer Inspections and Maintenance

To ensure that your Croozer will have a safe, long and problem-free service life, inspections and maintenance must be performed at regular intervals. The Croozer must be periodically inspected for damage and/or wear to the wheels, frame, fabric body, hitch arm, axle hitch, hitch connector, safety harnesses, safety wrist strap, hitch-arm safety strap, Click & Crooz® fastening systems, security pins and components of the Stroller Kit and Jogger Kit (accessory). The lock cylinder of the hitch connector should be checked for stiffness and, if necessary, cleaned and lubricated.

If any parts are found to be damaged, the Croozer may not be used until the damage has been properly repaired.



WARNING!

Never use the Croozer if it is not in perfect working order. Damaged parts could cause accidents with serious injury or death. Therefore, be sure to have your Croozer serviced regularly – at least once a year – by a professional bicycle mechanic.



WARNING!

It is vitally important that the maintenance work described in this section be performed to professional standards and at the specified intervals.

Inspection intervals

Check the overall condition of the Croozer periodically to identify any parts in need of repair or replacement. Some parts should be checked before each use, and others only monthly. Generally, a visual inspection is sufficient. Is everything where it belongs, are there any tears in the fabric body, are any of the metal parts cracked or bent, are the safety harnesses intact, is the hitch-arm safety strap intact and correctly attached, are the tyres in good condition and properly inflated, are the accessories (if applicable) intact, and are all fastening systems intact? A complete checklist for inspection is provided in the table on the right.

Service intervals

Be sure to have your Croozer serviced regularly – at least once a year – by a professional bicycle mechanic. The required frequency of maintenance will depend on various factors, such as weather conditions, road conditions, loading etc. If the Croozer is not being used very often, then an annual service by a professional bicycle mechanic is sufficient. If the Croozer is used on a daily basis, even in the winter, then we recommend having it professionally serviced more often, as the parts can wear significantly faster. Using a bike with electric assist to pull the Bicycle Trailer can also subject the parts to much greater wear, meaning that shorter service intervals may be necessary.

Before Each Use	What Should Be Done
Visual Inspection by User	
Overall condition	Check for damaged parts
Fabric body	Check for tears etc.
Safety harnesses	Check for damage, proper adjustment and function
Locking mechanisms and fastening systems	Check for proper function and whether correctly locked/engaged
Hitch arm, hitch connector, axle hitch, Jogger wheel arms (accessory), Stroller wheel	Check for damage and proper installation
Attachment of side wheels	Check that the axles are locked securely in the axle receivers
Hitch connector and hitch-arm safety strap	Check for correct attachment
Light	Check for proper function
Tyres	Check tyre pressure, check for damage/ cracks
Quick-release axles with retaining balls and push-button pins (side wheels)	Check for proper function
Cargo weight and hitch-arm load (nose weight)	Ensure that all values are within specified limits
Safety flag on Bicycle Trailer	Check that flag is installed
Towing bicycle	Check that towing bicycle is in perfect working order
Parking brake	Check for proper function on both sides
Monthly	What Should Be Done
Tyres	Check tyre pressure, check for damage/ cracks, and check tread depth
Side wheel axles	Clean and lubricate retaining balls and push-button pins
Yearly*	What Should Be Done
Full maintenance check	Vehicle must be serviced by a professional bicycle mechanic
* depending on type and frequency of use	

Inspecting the hitch arm, axle hitch, hitch connector, Stroller Kit and Jogger Kit (accessory)

Inspect the hitch arm, axle hitch, hitch connector, components of the Jogger Kit (accessory), Stroller wheel and their respective attachment sites regularly for damage. If a part is cracked, dented, bent or damaged in any way, the Croozer may not be used with the respective part until it has been replaced or repaired. Have all damaged parts repaired or replaced immediately by a professional bicycle mechanic. Check that the axle hitch is properly installed.

Inspecting the fabric body

Check the fabric body and the cover regularly for damage. Small tears or holes can be repaired. In the case of irreparable damage, the fabric body must be replaced.



WARNING!

If there are any tears or holes in the fabric, your child may be able to reach through them and touch the wheel spokes, which could result in serious injuries. If you notice any tears or holes in the fabric, do not use the Croozer until all damage has been properly repaired or the body has been replaced.

Inspecting and servicing the wheels

The wheels should be checked for trueness on a regular basis and retued as necessary. An annual wheel inspection by a professional bicycle mechanic is usually sufficient.

Checking tyre pressure and treads

Check the tyre pressure before each use. The actual tyre pressure should never be higher or lower than the maximum and minimum inflation pressures marked on the tyre sidewall (1). Riding with under-inflated tyres can damage the tyres and rims. Over-inflation can cause the inner tube or tyre to explode. The inner tubes have Schrader valves, also known as car valves. You will need a pump with the appropriate nozzle. Never use compressed air, e.g. from a petrol station, to inflate your tyres. The quick flow and high pressure can overinflate the tyres, causing the tube and/or tyre to burst.

Inspect the tyres periodically for adequate tread depth and any signs of damage or excessive wear. Worn-out or damaged tyres can affect handling and even burst, which could result in accidents with serious injury or death.



Servicing the lock cylinder on the hitch connector

The lock cylinder may become stiff or difficult to turn after a while and should only be lubricated with penetrating oil or a special spray for cleaning and lubricating locks. Conventional chain oil or grease will collect dirt and “gum up” the lock cylinder. The lock cylinder should be serviced at least once a year, depending on weather exposure.



Cleaning and lubricating the wheel axles

The side wheels are equipped with a special mechanism for easy attachment and removal. The retaining balls (1) and push-button pins (2) of the axles must be cleaned and lubricated on a regular basis.

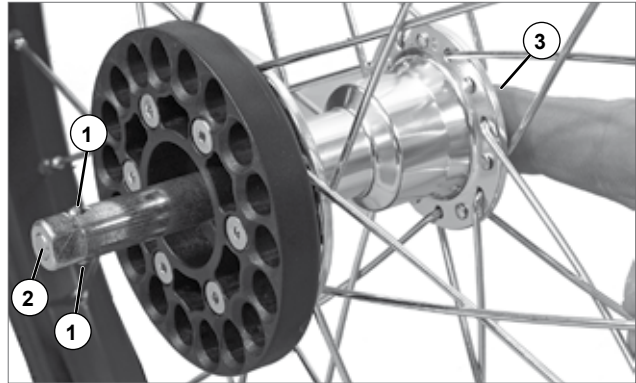


WARNING!

The retaining balls (1) and push-button pins (2) of the axles must be cleaned and lubricated on a regular basis. Otherwise, a wheel could fall off while riding, resulting in accidents with serious injury or death.

1. Wipe off the axle with a clean cloth to remove dirt and grime.
2. If any dirt or grime remains around the push-button pin (2) or retaining balls (1), then clean them with a small brush.
3. Lubricate these parts, and press the push-button (3) several times to distribute the lubricant evenly. The push-button pin and retaining balls must be able to move freely.
4. Use a clean cloth to wipe off any excess lubricant.

Tip: *The axle can be lubricated using a bicycle-chain lubricant.*



Inspecting the bicycle trailer after an accident

If the Croozer has been involved in an accident, it must be inspected by a professional bicycle mechanic before it can be used again, even if there is no visible damage. Accidents can leave behind tiny, and often invisible, hairline cracks in critical components whose failure would adversely affect the safety of the vehicle.

Croozer Cleaning, Maintenance, Storage and Disposal

How do I clean and maintain my Croozer?

Fabric body

Clean the fabric body and seat with water, a soap solution or a mild household detergent. Use biodegradable cleaning agents whenever possible to minimise environmental impact. A soft brush can be used to clean areas of heavy soiling.

Never use solvents, such as mineral spirits, or other aggressive chemicals, as these can damage the fabric, seat and/or plastic windows. Never use pressure washers. The strong water pressure could damage the fabric and/or plastic windows.

Frame and other metal parts

Clean all metal parts with water, a soap solution or a mild household detergent. Use biodegradable cleaning agents whenever possible to minimise environmental impact. A soft brush can be used to clean areas of heavy soiling.

Never use thinners, mineral spirits or other aggressive chemicals, as these can corrode metal parts. Never use pressure washers. The strong water pressure can force water into the wheel bearings, shortening their service life.

To protect metal parts from corrosion, a thin coat of paste wax should be applied. Preserving metal parts with paste wax is especially important if you plan to use the Croozer often in wet weather, in salty air near the sea or in the winter.

How do I store my Croozer?

General information

Store your Croozer, if possible, in a dry, warm and well-ventilated area. The minimum storage temperature is -20°C (-4°F); lower temperatures could cause the fabric body, and particularly the plastic windows, to become brittle.

If you cannot store your Croozer indoors, then use an appropriate waterproof cover to protect it from the elements. For this purpose, we recommend the Croozer Storage Cover, which is available as an accessory.

Avoid long-term exposure to direct sunlight, which will fade the fabric over time.

If possible, avoid using the Croozer in salty air, e.g. near the sea, or during winter months on salted roads, as the salt can corrode metal parts. To protect these parts from corrosion, apply a thin coating of paste wax to all metal surfaces.

Long-term storage

If you will not be using your Croozers for an extended period of time, for example over the winter months, then prepare the vehicle for storage as follows:

1. Clean the Croozers thoroughly as described above.
2. Allow the Croozers to dry completely, and apply paste wax to protect metal parts from corrosion.
3. Store the Croozers in a dry, dust-free and well-ventilated room. Cover the Croozers with a sheet, tarp/tarpaulin or the Croozers Storage Cover, which is available as an accessory.

NOTICE

To prevent mildew and mould growth, the Croozers must be completely dry and clean before being put into storage.

Tip: *The fabric of the Croozers body is not, in itself, an ideal medium for the growth of mould and mildew. Moulds feed off organic matter in the fabric, e.g. food residues, dirt etc., and grow best in warm, damp and humid conditions. Therefore, it is very important that you follow these storage guidelines to prevent mould growth.*

However, if you do happen to find mould or mildew on your Croozers, it can be cleaned in mild cases, using a mild alcohol-based cleaning agent, 5% household vinegar or a 5% sodium bicarbonate solution from the pharmacy. NEVER USE HARSH CHEMICAL FUNGICIDES. Most of these chemicals are highly toxic and very dangerous to your child's health. For severe cases of mould or mildew, the fabric body must be replaced. Contact your Croozers dealer.

Tip: *To save space, the Croozers can be stored in its folded state.*

4. Inner tubes will slowly lose pressure over time. Storing the Croozers on flat tyres for an extended period of time could damage the tyres. Therefore, if you plan to store the Croozers for several weeks or months, it should be either propped up with its wheels off the ground or hung from a wall or ceiling. Otherwise, check the tyre pressure periodically, and keep the tyres inflated.
5. Before using your Croozers after a long period of storage – for example, if you have stored it over the winter – check that it is in perfect working order, and have it serviced by a professional bicycle mechanic.

Preparing the Croozers for disposal

The Croozers is extremely durable and robust. However, if the vehicle must be disposed of, e.g., owing to severe damage etc., then contact your Croozers dealer, who can help you dispose of the Croozers, or individual parts, in an environmentally sound manner. Furthermore, be sure to dispose of any worn parts, such as tyres, in an environmentally sound manner. When in doubt, consult a Croozers dealer.

Technical Data

Maximum body weight of the child	
Per child	20 kg (44 lb)
Maximum Load* (Passengers + Cargo)	
One-seater Two-seater	35 kg (77 lb), max. 1 child 45 kg (100 lb), max. 2 children
Of which in rear cargo compartment	max. 5 kg (11 lb)
Of which in Handlebar Bag (accessory)	max. 2 kg (4.4 lb)
Maximum Height of Passengers	
	100 cm (39 inch)
Minimum Age of Passengers	
Without Baby Seat	6 months (if child can sit upright unassisted)
With Baby Seat (accessory)	1 month in stroller mode
Maximum Age of Passengers	
Without Baby Seat	3,5 years
With Baby Seat (accessory)	10 months
Suspension	
	Maintenance-free, progressive, load-independent (no adjustment required for various loads) AirPad® suspension with Sylomer®, 45 mm of travel and shock-absorbing properties
Minimum Temperature for Use/Storage	
	-20°C (-4°F)
Wheel/Tyre Size	
	20", 47- 406 (20 x 1.75 inch)
Recommended Tyre Pressure	
	Minimum and maximum values marked on tyre sidewall
Wheel/Tyre Size Jogger Wheel (Accessory)	
	16", 47- 305 (16 x 1.75 inch)
Valves	
	Schrader (car valve)
Wheel Size, Stroller Wheel	
	6"
* Weight limits only apply if the hitch-arm load is within the specified range of 3–8 kg (6.6 to 17.6 lb). See page 27.	

Accessories

Numerous accessories are available for even more comfortable Croozing. All accessories can be purchased from your Croozer dealer or from the Croozer online shop: www.croozer.com.

Sun Cover

A practical sunshade for your child in the same colour as your Croozer



Seat Support

For small children aged approx. 10 to 24 months, height adjustable, 2-piece



Rain Cover

For one- or two-seater



Handlebar with Click & Flash® Sensor-Activated Lighting System

For Croozer Kid model years 2008 and newer



Ski Adapter Kit

For cross-country skiing or snowshoeing



Storage Cover

Protects your Croozer from dust, dirt, rain and snow, waterproof



Neoprene Handlebar Cover

for Croozer Kid Vaaya or Croozer Kid Keeke



Baby Seat

For babies aged one to ten months



Winter Kit for Baby Seat

Footmuff with teddy-fleece lining, zipper for attachment to Baby Seat, incl. Baby Seat insert with teddy-fleece lining



Handlebar Bag

for Croozer Kid Vaaya or Croozer Kid Keeke



Click & Crooz® Universal Hitch

For an additional towing bicycle



Click & Crooz® Axle Nut Hitch



Click & Crooz® Thru Axle Hitch

In various lengths and thread sizes



Quick-Release Skewer With integrated Click & Crooz® hitch



Floor Protection Tray

For one- or two-seater



Ventilation Insert

For one- or two-seater



Tested for Safety and Harmful Substances

The Croozer Kid Vaaya and Croozer Kid Keeke are regularly tested and inspected, not only in our own facilities, but also by independent institutes, newspapers/magazines and testing laboratories, as well as by hundreds of thousands of families around the world in their daily routines.

To ensure compliance with these standards, the Croozer Kid Vaaya and Croozer Kid Keeke are subject to numerous tests, such as extensive stress testing on the frame, hitch arm and other parts. Furthermore, the functionality of all systems, including the harness, parking brake and folding mechanism, is thoroughly tested.

All materials are tested for harmful substances to achieve standards over and above the legal requirements.

Our child trailers have been undergoing annual testing since 2011.

We guarantee that your Croozer is a completely safe product that satisfies all current testing criteria. All materials used for the Croozer, Baby Seat and Seat Support are tested for harmful substances.

For more information: croozer.de/tested-plus

EU Declaration of Conformity

To enable the free movement of goods and services within the EU, there are a number of EU directives which set uniform, Europe-wide requirements for products:

e.g. the Machinery Directive, Pressure Equipment Directive, Toy Safety Directive and Medical Device Directive, just to name a few. Products that are subject to an EU directive must bear a CE marking to confirm that the product complies with the requirements imposed by the European Union. For some products, including bicycle trailers, there are no specific EU directives. As a result, these products have no CE marking and are not allowed to be labelled with one. However, these products are subject to the German Product Safety Act based on the European Directive 2001/95/EC.

Croozer GmbH confirms that the design and construction of all Croozer products placed on the market comply with the basic health and safety requirements laid down by the German Product Safety Act (ProdSG). The following harmonised standards have been applied:

DIN EN 15918 Cycles - Cycle trailers - Safety requirements and test methods

DIN EN 1888 Child care articles - Wheeled child conveyances - Safety requirements and test methods



Warranty

In addition to the statutory warranty under the contract of sale, Croozer GmbH, Cologne, extends to the end customer the following manufacturer's warranty for its bicycle trailers "Croozer Kid Vaaya" and "Croozer Kid Keeke" subject to the conditions set forth below.

Our warranty applies to defects in materials or workmanship of the safety frame of our bicycle trailers "Croozer Kid Vaaya" and "Croozer Kid Keeke".

The safety frame is shown in grey in the illustration on this page.

The warranty for the safety frame runs for a period of **10 years** beginning on the date of original purchase of the respective bicycle trailer. The warranty period begins on the date of purchase.

Furthermore, starting with the 2018 model year of our bicycle trailers "Croozer Kid Vaaya" and "Croozer Kid Keeke", we also offer an extended manufacturer's warranty that applies to defects in the materials or workmanship of the seat, cover, fabric body, parking brake, bumper, handlebar, jogger-wheel arms (accessory), wheels, hitch arm and hitch. This warranty applies in addition to the statutory warranty. The warranty period for the aforementioned models and specified components is **3 years** from the date of original purchase of the respective bicycle trailer. The warranty period begins on the date of purchase.

What happens in the case of a warranty claim?

In the case of a warranty claim, Croozer will inspect the bicycle trailer and determine whether the claim is covered by the warranty.

If the claim is determined to be valid, then Croozer will, at its own discretion, repair the bicycle trailer, replace it with an equivalent product, reimburse the buyer for the purchase price or provide the buyer with a new Croozer bicycle trailer.

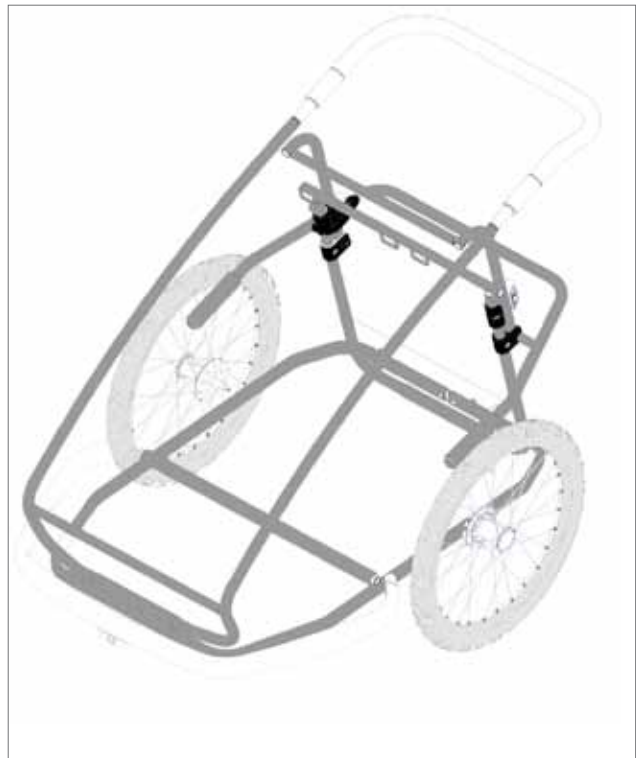
What conditions must be met to make use of the warranty?

Warranty claims must be accompanied by the original sales receipt with the date of purchase, as well as the bicycle trailer.

This manufacturer's warranty covers only one customer. The "customer" is the natural person who owns the bicycle trailer. Persons who purchased the bicycle trailer in order to resell it or use it in the context of any commercial or self-employed professional activity are not considered the customer in the sense of this warranty.

Rights under consumer law

This coverage operates alongside and in addition to your statutory rights under consumer law (warranty and product liability). These statutory rights, which in some cases may be more favourable to you as the purchaser, are not affected by this warranty. In addition, our warranty does not affect your rights (as the customer) against the seller from whom you purchased the product.



Dealers

Warranty exclusions

This warranty shall not apply to defects caused by improper assembly or installation, improper use, overloading or catastrophic damage which are not the fault of Croozer GmbH, nor does it extend to incidental or consequential damages.

Furthermore, it does not apply to defects caused by ordinary wear and tear or to cuts, tears or other damage caused by impacts or accidents that occurred after delivery.

The warranty shall not apply to Croozer bicycle trailers that have been improperly stored, improperly modified or cleaned with improper cleaning methods or agents.

The warranty shall also not apply to damages caused by repair work that was not authorised by Croozer GmbH.

NOTICE

Please read and observe the installation, assembly, usage, care and maintenance instructions provided in this owner's manual. Failure to observe these instructions could result in faulty operation, material damage and/or increased wear.

How to reach us in the case of a warranty claim

If you notice any issues with your Croozer, contact the dealer from whom you purchased your Croozer. The dealer will either help you directly or forward your claim to us. In order to process your claim, we – and/or your dealer – will need the original sales receipt, the serial number of your bicycle trailer and, in the case of a warranty claim, the Croozer bicycle trailer. You can find the serial number on the middle of the frame inside the cargo compartment.

Dealers

A list of authorised dealers in your area can be found on the Croozer website:
www.croozer.com



WWW.CROOZER.COM

Croozer GmbH
An der Hasenkaule 10
50354 Hürth
Deutschland
consumer@croozer.com

CROOZER