

**TF1-850** — Self-powered BNC TTL to Fiber-Optic Converter

**Features**

- TTL to fiber-optic converter
- Powered by input signal - no additional power supply required
- Compact package
- Compatible with X22-ST-850 bidirectional converter



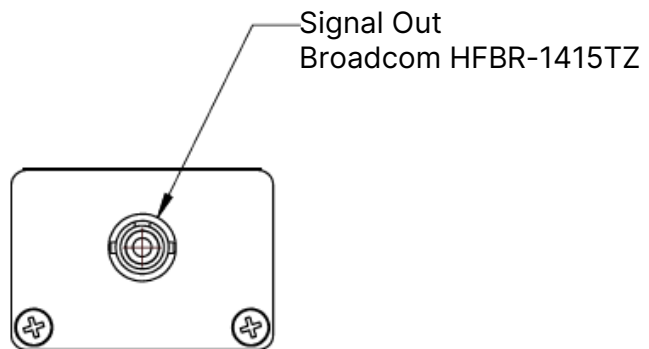
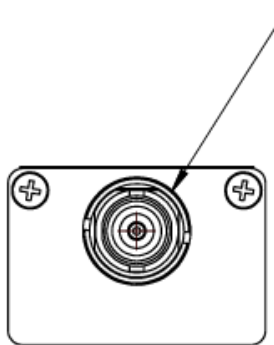
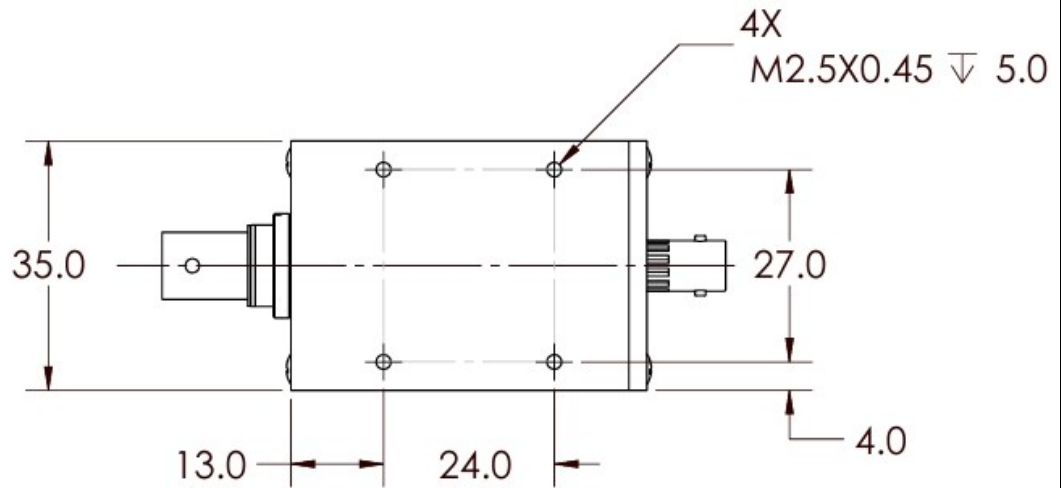
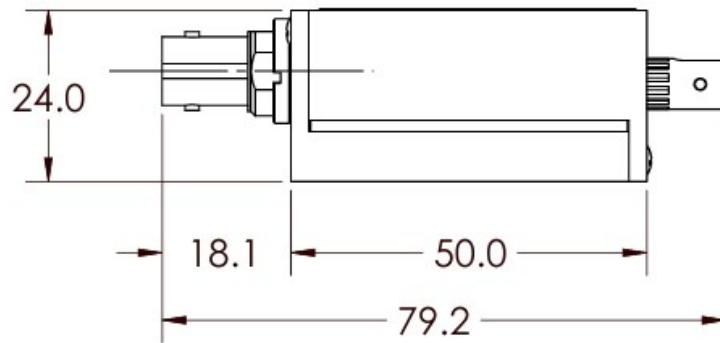
<b>Applications</b>	<ul style="list-style-type: none"> <li>• Trigger and logic level signal delivery in distributed systems</li> <li>• High voltage isolation</li> <li>• Long distance transmission of digital signals</li> </ul>
---------------------	---

<b>Specifications</b>	Input Connector	Female BNC Jack
	Output Connector	Broadcom (Avago) HFBR-1415TZ (ST bayonet) 850nm fiber optic transmitter
	Input Voltage	TTL Levels
	Input Current	10 mA minimum recommended drive current compliance, 30 mA for transmission over maximum fiber optic cable length or at full 25 MHz rate.
	Propagation Delay	≤ 25 ns TTL to optical
	Signal Frequency Range	DC to 25 MHz
	Maximum Signal Range	400m with 62.5µm glass-core fiber optic cable

<b>Environment</b>	Operating	10 to 35C, < 80% humidity, non-condensing, vibration < 0.2 g all axes, 1 to 100Hz
	Storage	0 to 50C, < 80% humidity, non-condensing, vibration < 2g all axes, 1 to 100Hz



Mounting & Dimensions (mm)



Pyramid Technical Consultants, Inc.  
135 Beaver Street  
Suite 102  
Waltham, MA 02452 USA

Tel: +1 781 402 1700 (USA),  
+44 1273 492001(UK)

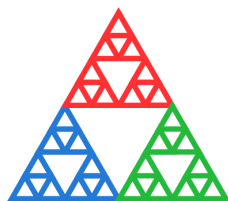
Email: [support@ptcusa.com](mailto:support@ptcusa.com)

[www.pyramid.tech](http://www.pyramid.tech)

The information herein is believed accurate at time of publication, but no specific warranty is given regarding its use. All specifications are subject to change.

All trademarks and names acknowledged.

TF1-850\_DS\_250211



**PYRAMID**  
[www.pyramid.tech](http://www.pyramid.tech)

