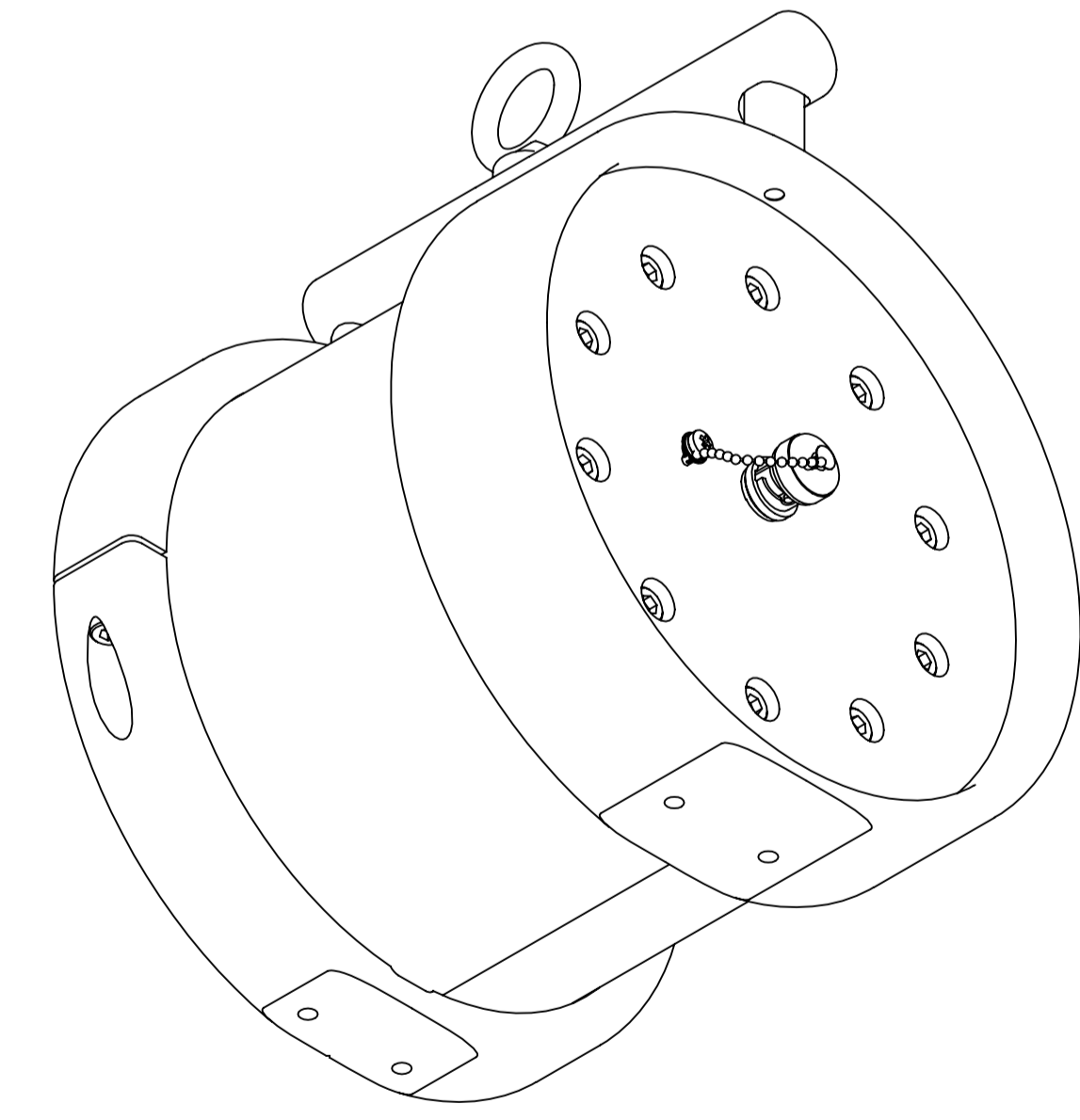
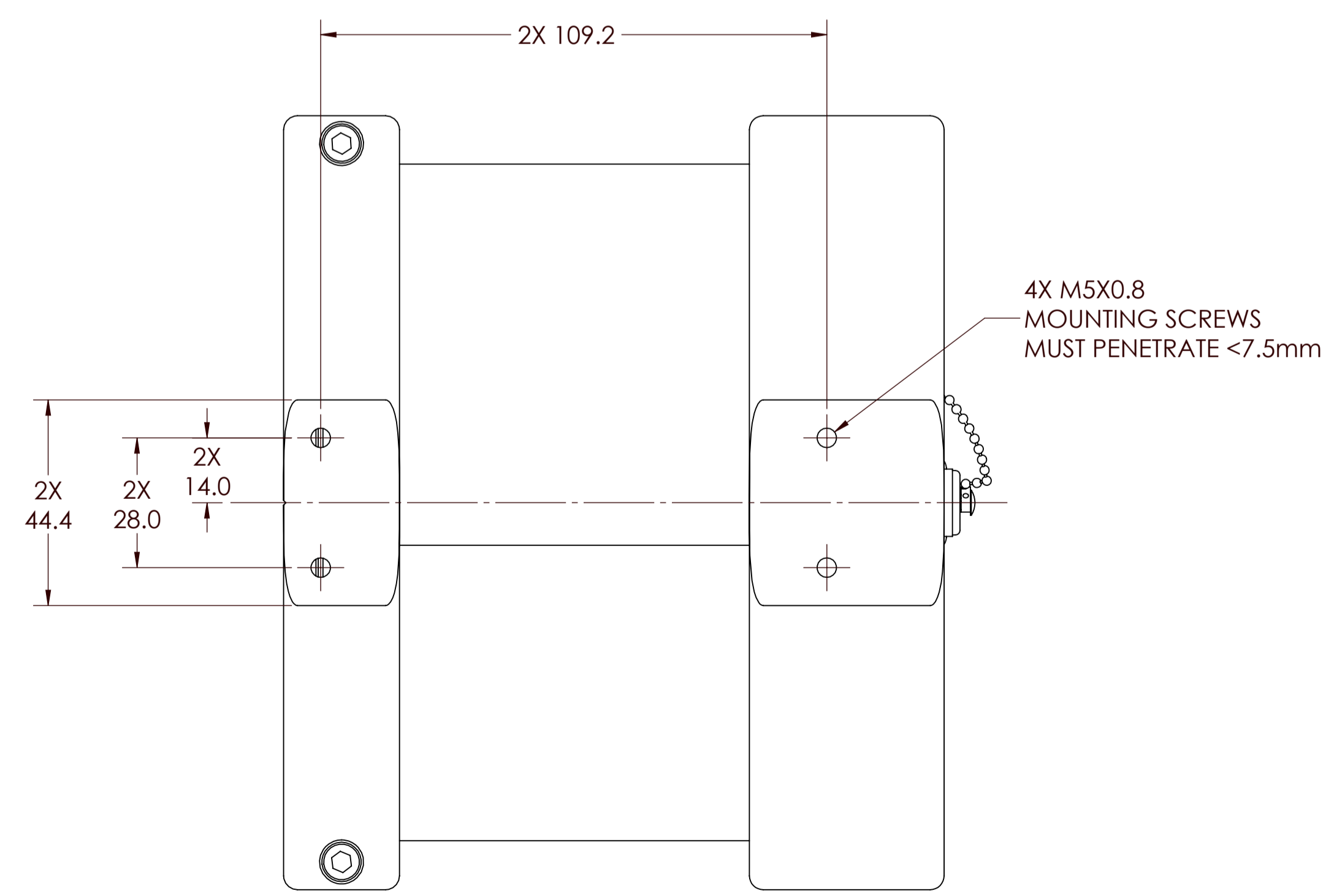
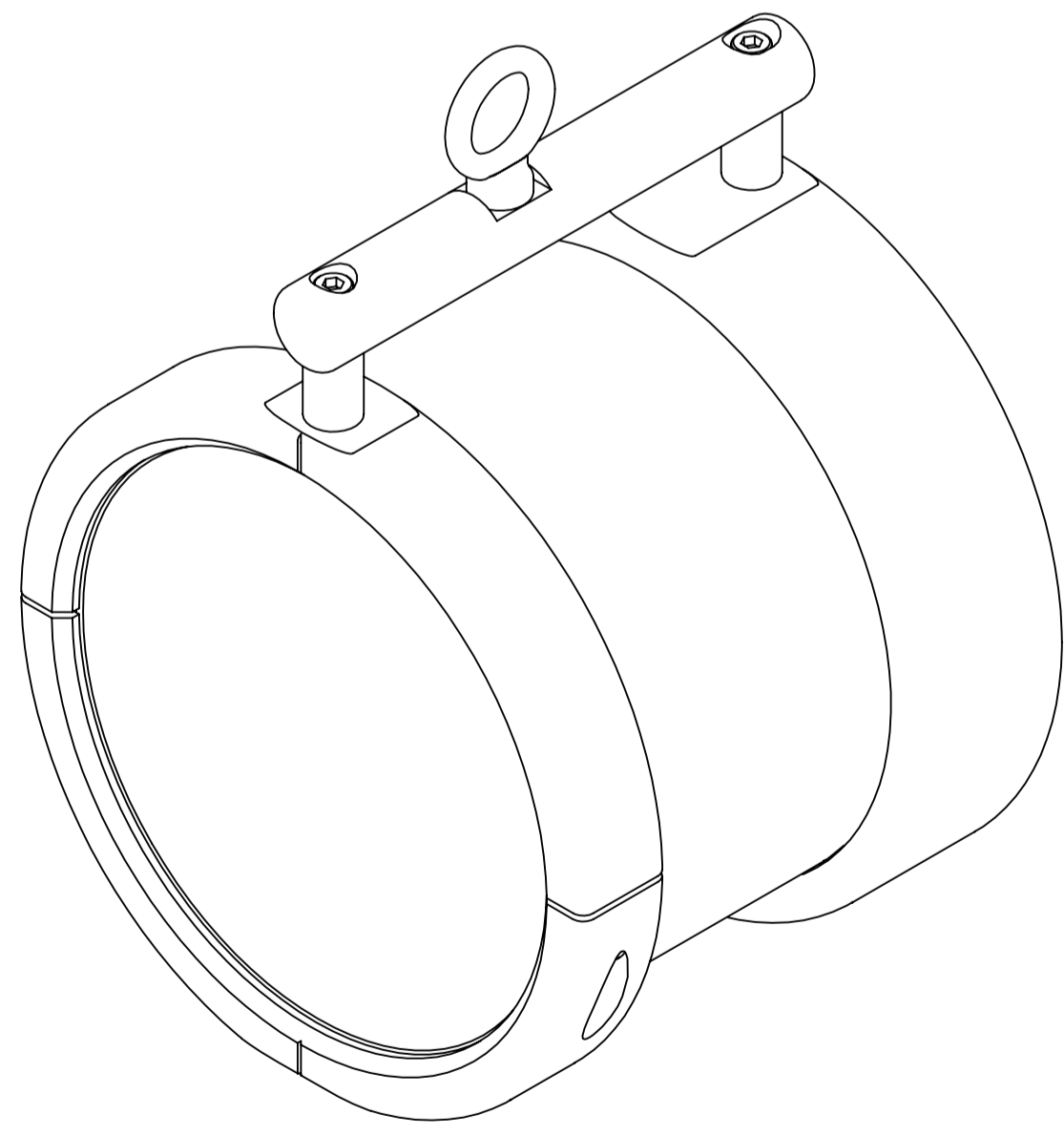
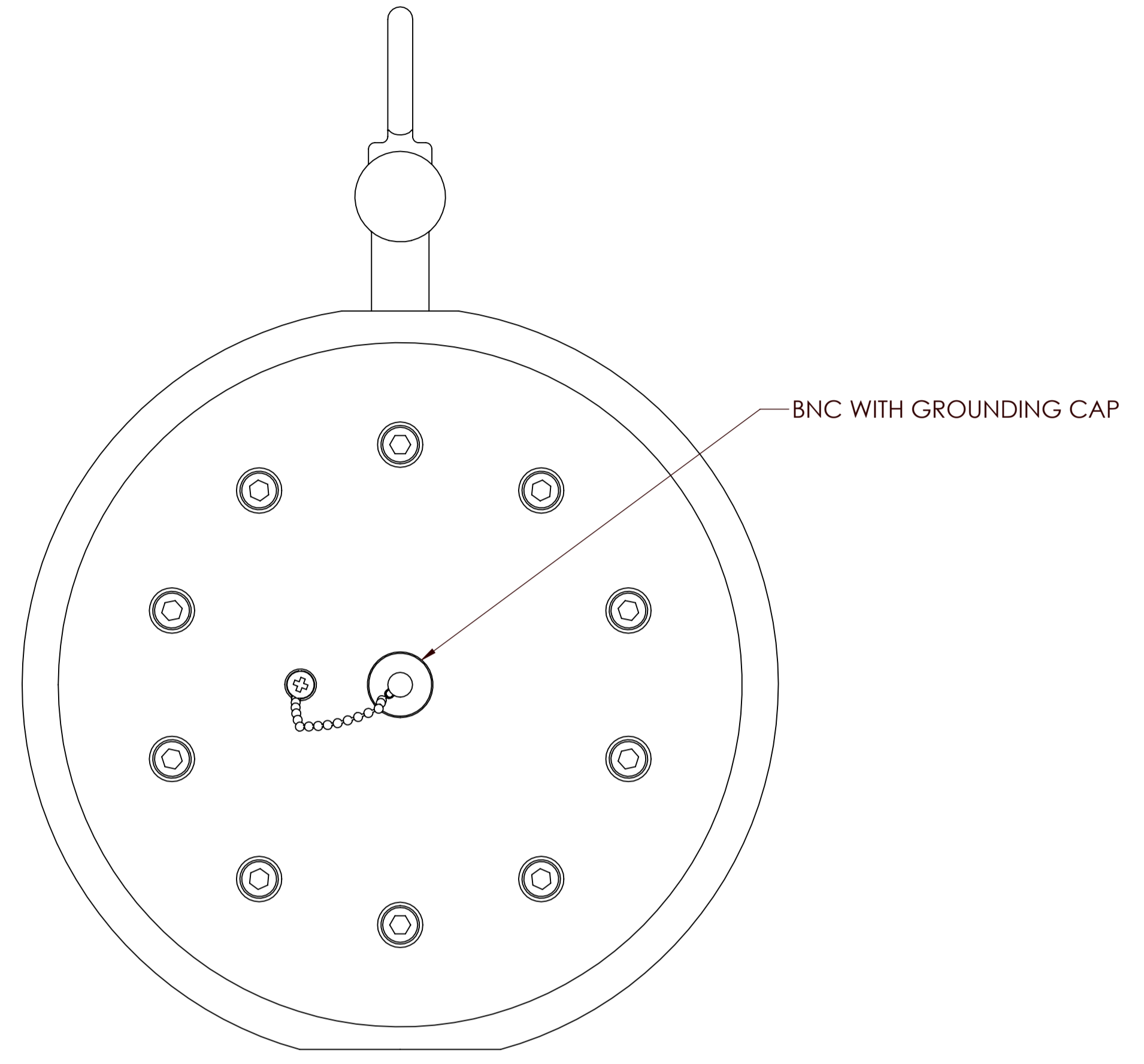
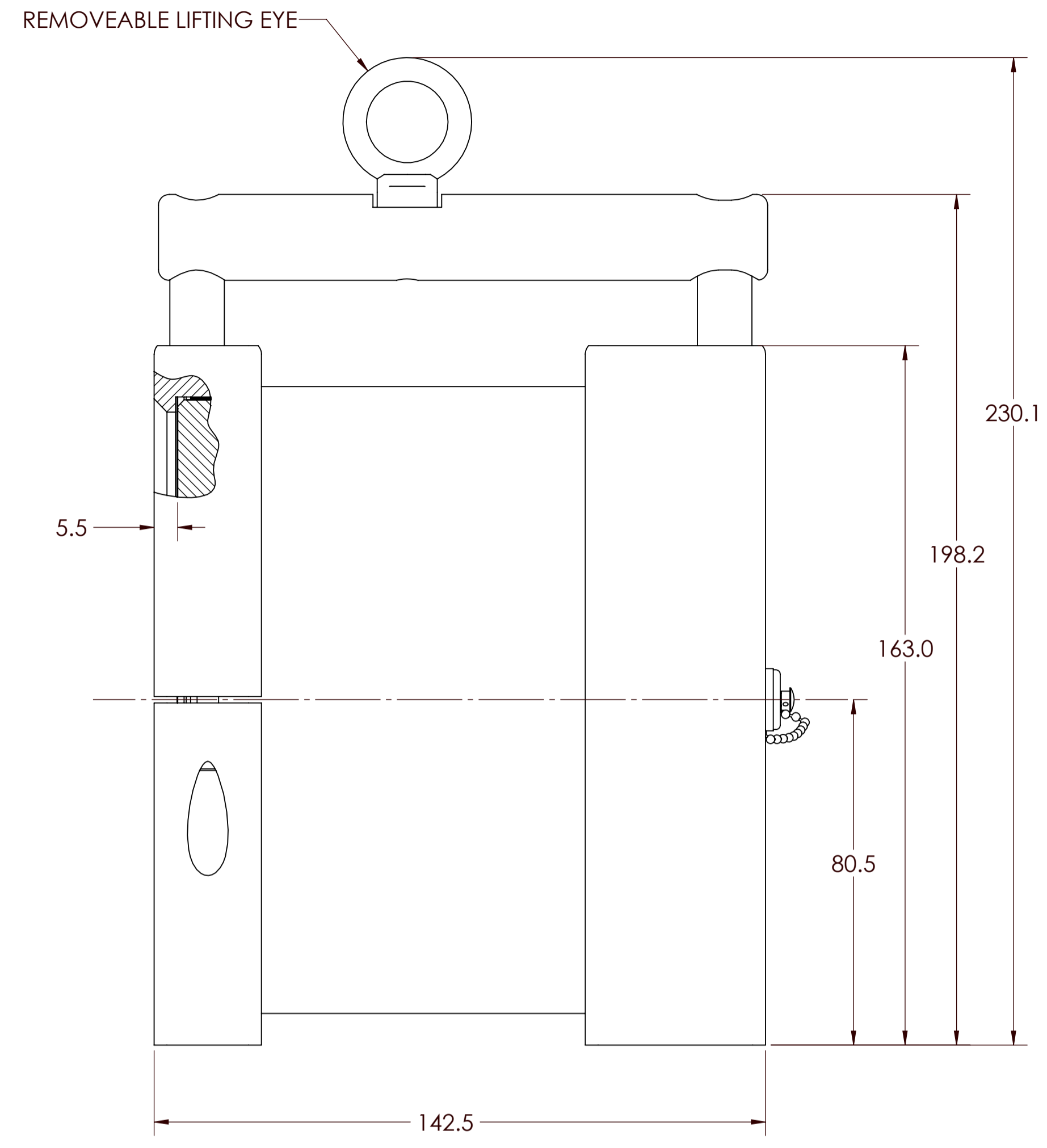
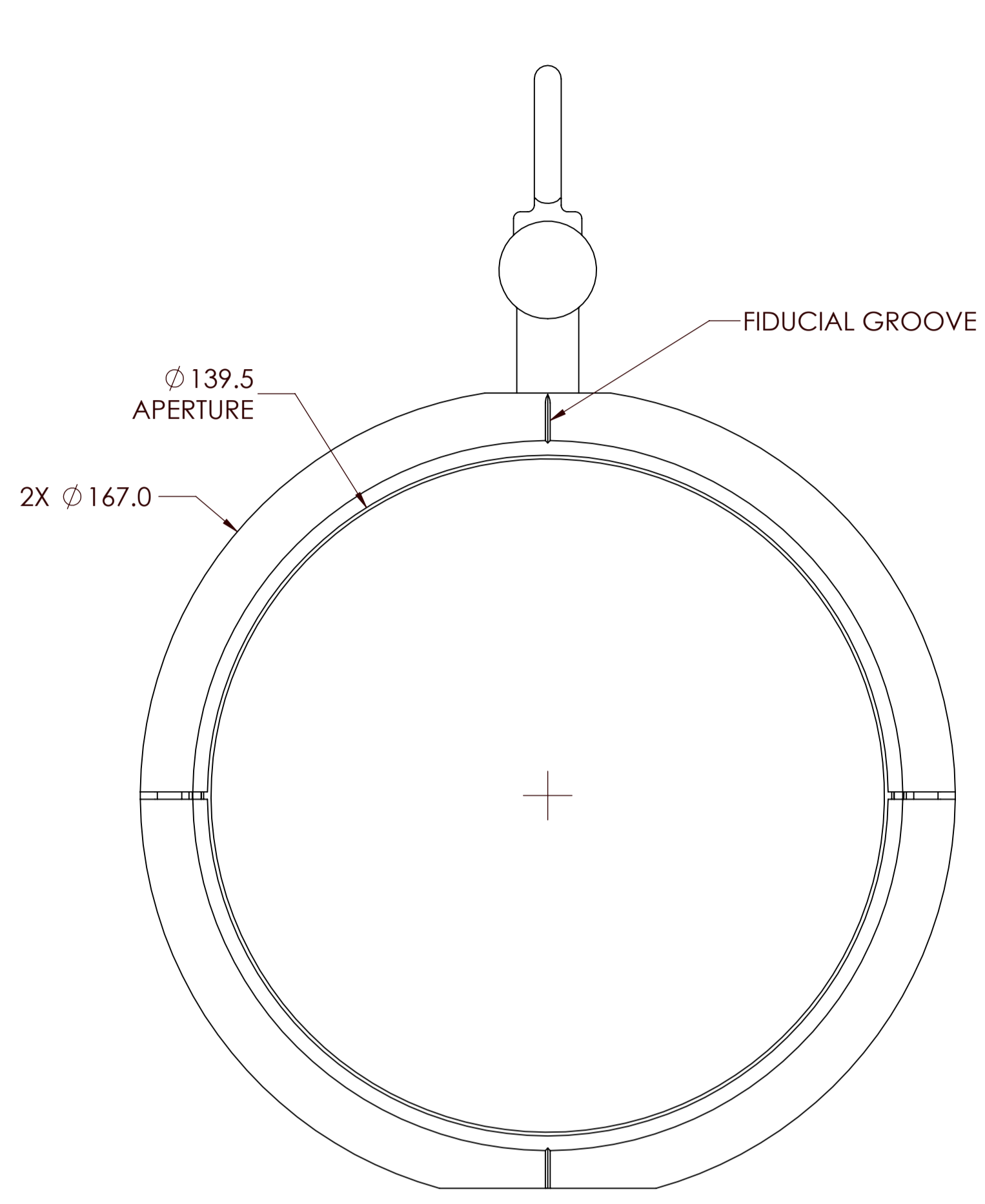


PROPRIETARY
 THIS DRAWING CONTAINS CONFIDENTIAL INFORMATION
 PROPRIETARY TO PYRAMID TECHNICAL CONSULTANTS INC (PTC).
 IT MUST NOT BE REPRODUCED OR DISCLOSED TO OTHERS,
 OR USED IN ANY OTHER WAY, IN WHOLE OR IN PART,
 EXCEPT AS AUTHORIZED IN WRITING BY PTC.

REVISIONS				
REV	DESCRIPTION	DRAFT	DATE	APPROVED
A	INITIAL RELEASE			



DRAWN A. DART CHECK A. DART ENGINEERING A. DART	DATE 16FEB2022 DATE 16FEB2022 DATE 16FEB2022	DO NOT SCALE FROM DRAWING DIMENSIONS IN mm TOLERANCES UNLESS OTHERWISE SPECIFIED:	 125 BEAVER ST, SUITE 102, WALTHAM, MA 02452 TEL: (781)402-1700, www.ptcus.com	TITLE BC-145 BEAM COLLECTOR	
LINEAR X.XXX ±0.03 X.XX ±0.1 X.X ±0.3 X ±1 DEG. ±0.5 FINISH 1.6 ✓	mm ±0.03 ±0.1 ±0.3 ±1 ±0.5 1.6 ✓	SIZE A1		DRAWING NO. 88202660	REV A
SOFTWARE: SOLIDWORKS 2021	THIRD ANGLE PROJECTION	SCALE 1:1	WT 16.3 kg	SHEET 1 OF 1	